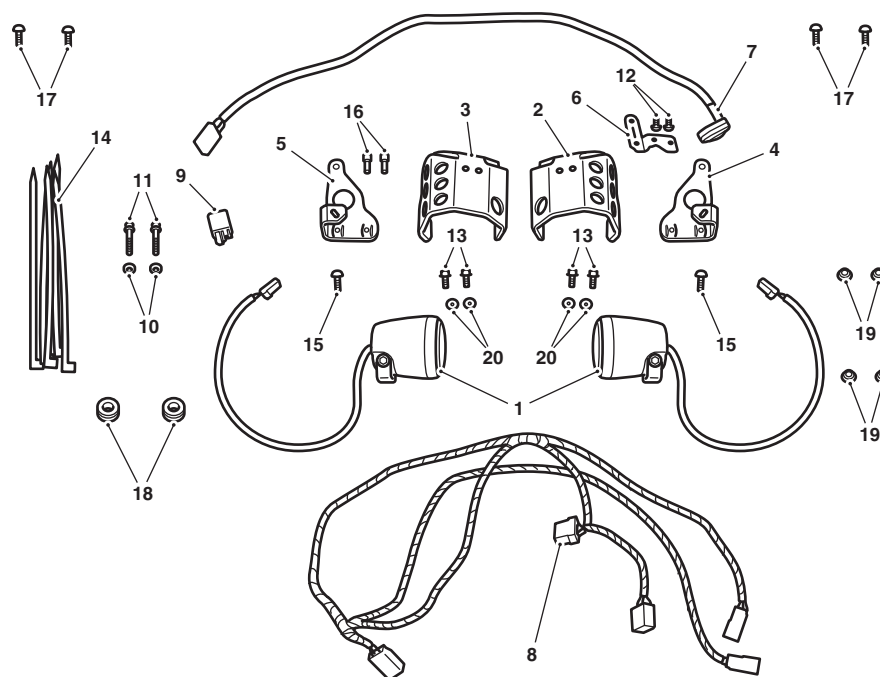


Fitting Instructions:
Tiger 800 and Tiger 800XC
A9838003 and A9838011 to VIN 611411
A9838017

Thank you for choosing this Triumph genuine accessory kit. This accessory kit is the product of Triumph's use of proven engineering, exhaustive testing, and continuous striving for superior reliability, safety and performance.

Completely read all of these instructions before commencing the installation of the accessory kit in order to become thoroughly familiar with the kit's features and the installation process.

These instructions should be considered a permanent part of your accessory kit, and should remain with it even if your accessory-equipped motorcycle is subsequently sold.



Parts Supplied:

1. Fog light	2 off	11. Bolt, M6 x 35 mm	2 off
2. Shroud, left hand	1 off	12. Screw, M4 x 5 mm	2 off
3. Shroud, right hand	1 off	13. Screw, M5 x 12 mm	4 off
4. Bracket, left hand	1 off	14. Cable tie	12 off
5. Bracket, right hand	1 off	15. Bolt, M6 x 25 mm	2 off
6. Bracket, switch	1 off	16. Bolt, M6 x 16 mm	2 off
7. Switch, fog lights	1 off	17. Screw, M5 x 16 mm	4 off
8. Sub-harness, fog lights	1 off	18. Grommet	2 off
9. Relay	1 off	19. Flanged sleeve, 6.4 x 15 x 2.75	4 off
10. Spacer, 6.3 x 10 x 8	2 off	20. Washer, M5	4 off



Warning

This accessory kit is designed for use on Triumph Tiger 800 and Tiger 800XC motorcycles only and should not be fitted to any other Triumph model or to any other manufacturer's motorcycle. Fitting this accessory kit to any other Triumph model or to any other manufacturer's motorcycle, may interfere with the rider and could affect the stability and handling of the motorcycle, leading to loss of control and an accident.



Warning

Always have Triumph approved parts, accessories and conversions fitted by a trained technician of an authorised Triumph dealer. The fitment of parts, accessories and conversions by a technician who is not of an authorised Triumph dealer may affect the handling, stability or other aspects of the motorcycle's operation which may result in loss of motorcycle control and an accident.



Warning

Always ensure that the newly installed wiring does not chafe against other parts of the motorcycle such that it may be rubbed through and cause an electrical problem. In addition, always ensure that the newly installed wiring will not restrict steering movement. Both conditions are hazardous and could give rise to a dangerous riding condition resulting in a fire, loss of motorcycle control and an accident.



Warning

Throughout this operation, ensure that the motorcycle is stabilised and adequately supported to prevent risk of injury from the motorcycle falling.



Warning

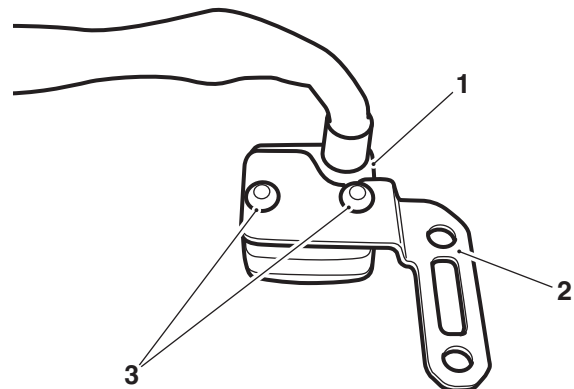
A torque wrench of known accurate calibration must be used when fitting this accessory kit. Failure to tighten any of the fasteners to the correct torque specification may affect motorcycle performance, handling and stability. This may result in loss of motorcycle control and an accident.

Note:

- **The accessory kits described in this instruction can only be fitted to Tiger 800 and Tiger 800XC models as follows:**
 - Kits A9838003 and A9838011 can be fitted to Tiger 800 and Tiger 800XC models up to VIN 611411.
 - Kit A9838017 can be fitted to all Tiger 800 and Tiger 800XC models however, Adaptor Harness Kit A9830053 (sold separately) must be used when fitting this kit to Tiger 800 and Tiger 800XC models up to VIN 611411.
- **Triumph offers a broad range of approved genuine accessories for your motorcycle. We cannot therefore cover all possible equipment variations in these instructions. For removal and installation of Triumph Genuine Accessories always refer to the instructions supplied with the respective accessory kit. To obtain additional copies of any Triumph accessory instructions, visit www.triumphinstructions.com or contact your authorised Triumph dealer.**

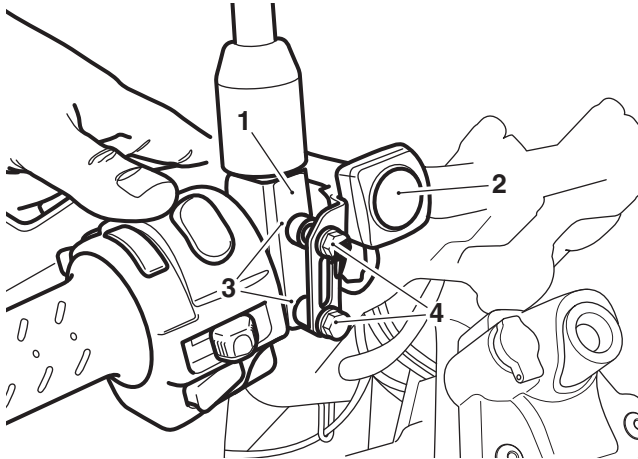
Switch Fitment

1. Remove the rider's seat as described in the Service Manual.
2. Disconnect the battery, negative (black) lead first.
3. Remove the fuel tank as described in the Service Manual.
4. Align the fog light switch to the switch bracket and secure with the two M4 x 5 mm screws. Tighten to **3 Nm**.



1. Switch
2. Switch bracket
3. M4 x 5 mm screws

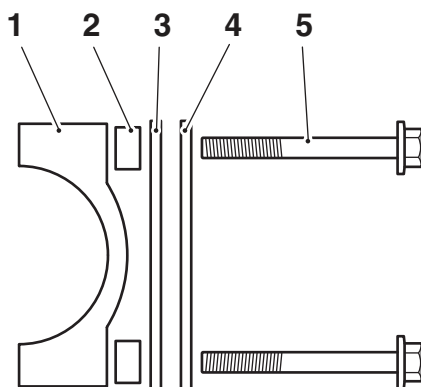
5. Support the clutch lever assembly and remove the two bolts. Retain the two bolts if the motorcycle is to be returned to its original condition. Retain the clamp for re-use.
6. Refit the clutch lever clamp ('UP' arrow pointing upwards), and install the two spacers and switch bracket. Secure with M6 x 35 mm bolts from the kit.



1. Clutch lever clamp
2. Fog light bracket and switch
3. Spacers
4. M6 x 35 mm bolts

Note:

- If the Triumph heated grip kit is fitted with the fog light kit, the fog light switch bracket must be fitted before the heated grip switch bracket to ensure correct switch positioning.



1. Clutch lever clamp
2. Spacer
3. Fog light switch bracket
4. Heated grip switch bracket
5. Bolt

7. Align the split line of the clutch lever with the '+' mark on the upper surface of the handlebar, then tighten the clamp bolts, upper first, to **12 Nm**.

8. Following the clutch cable, route the switch harness through to the right hand radiator cowling. Secure the harness to the clutch cable using the cable ties provided in the kit.

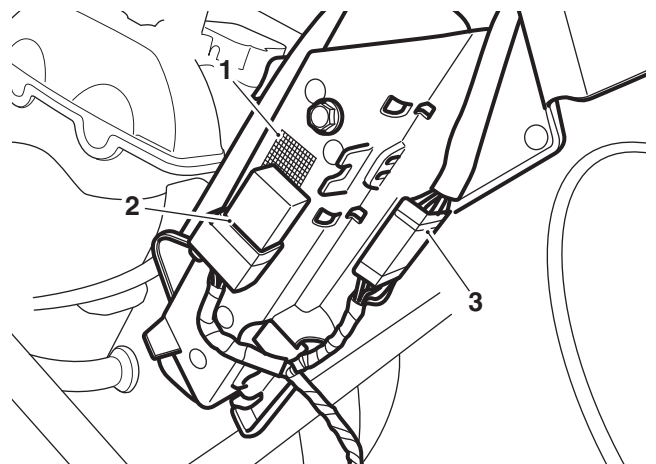


Warning

Move the handlebars to the left and right full lock while checking that the cables and harness do not bind. A cable or harness that binds will restrict the steering and may cause loss of control and an accident.

Sub-Harness Fitment

1. Recover the sub-harness and relay from the kit and connect the relay to the connector on the sub-harness.
2. Attach the relay mounting to the tang on the right hand radiator infill moulding.
3. Connect the switch harness to the corresponding connector on the sub-harness.

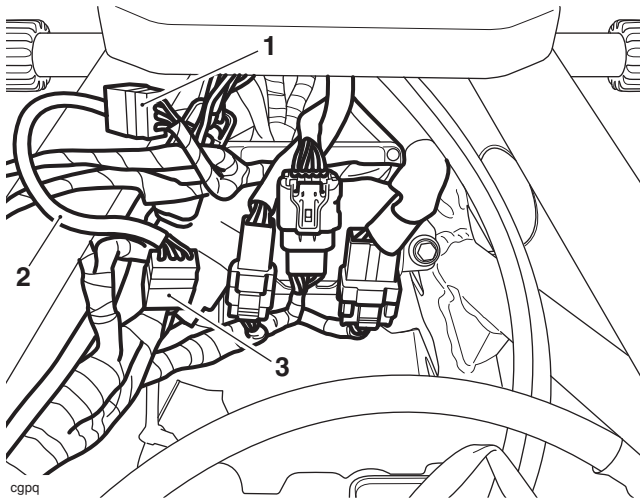


1. Radiator infill moulding
2. Sub-harness and relay
3. Switch harness

4. Route the sub-harness main connector and the two fog light connectors around the front of the expansion tank and through the hole in the frame to the area behind the headstock.
5. Identify the connector on the main wiring harness (located under the fuel tank in the headstock area) and remove the blanking plug. Retain the blanking plug if the motorcycle is to be returned to its original condition.

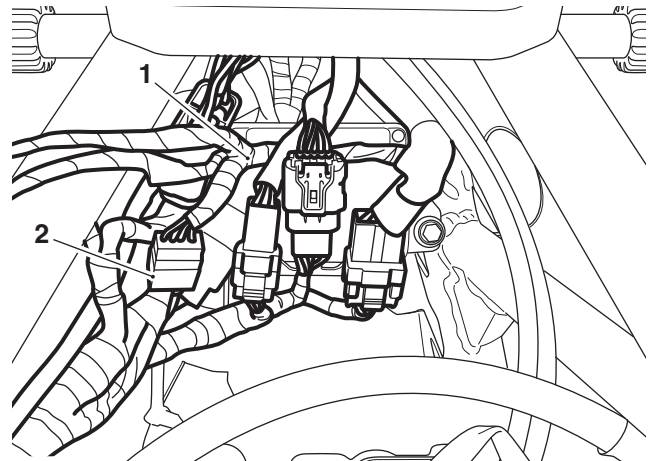
Note:

- When fitting kit A9838017 to Tiger 800 and Tiger 800XC models up to VIN 611411, adaptor harness A9830053 (sold separately) is required. Continue from step 6.
 - For kit A9838017 on Tiger 800 and Tiger 800XC models outside of the above VIN range, continue from step 7.
 - For kits A9838003 and A9838011, continue from step 7.
6. Fit adaptor harness kit A9830053 (sold separately) as follows:
- Connect the sub-harness main connector to the adaptor harness connector.
 - Connect the adaptor harness connector to the main wiring harness connector.
 - Continue to step 8.



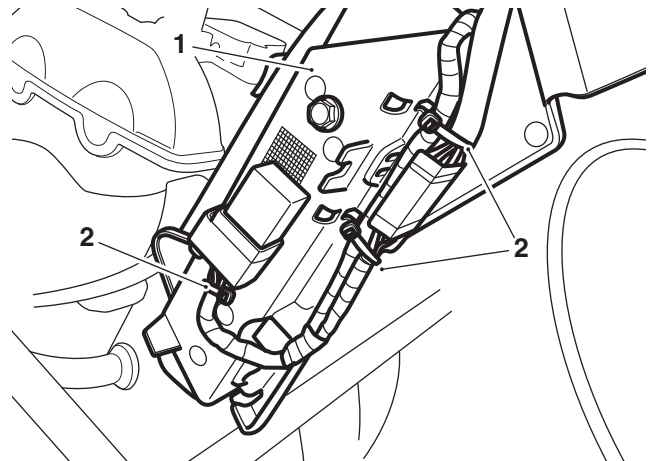
- cgppq
1. Sub-harness connector
 2. Adaptor harness
 3. Main harness connector

7. Connect the sub-harness main connector to the main wiring harness connector.



1. Sub-harness
2. Main harness connector

8. Secure the sub-harness, adaptor harness (if fitted) and all loose cables to the right hand radiator infill moulding using three of the cable ties supplied. Ensure the connector is fitted between the two cable ties, and orientated as shown below, to allow correct fitment of the radiator lower moulding.

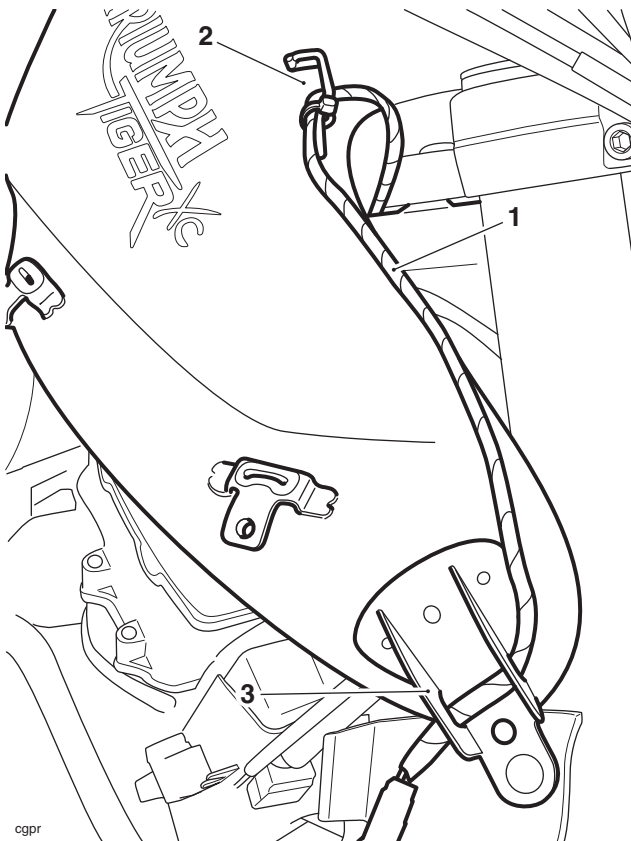


1. Radiator infill moulding
2. Cable tie positions

9. Route the two fog light cables upwards so that they will exit to the front of the fuel tank once it is refitted.
10. Refit the fuel tank as described in the Service Manual. Do not refit the cockpit, side panels or fuel tank mouldings at this stage.

Note:

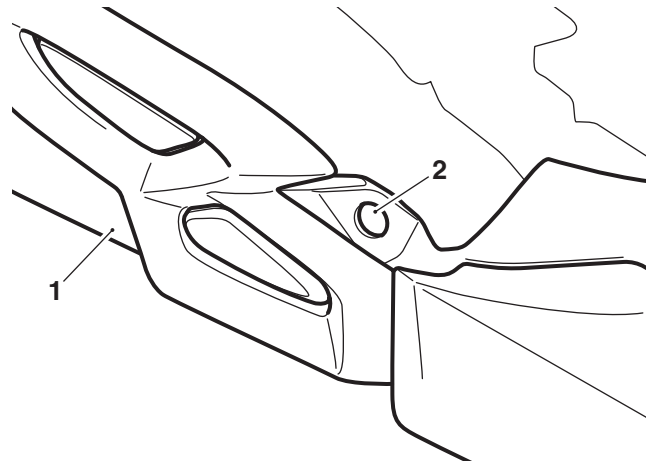
- **If the Triumph accessory tank bag harness is installed, route the fog light cables over the front tank bag harness straps.**
11. Route the two fog light connectors along the edge of the fuel tank flange, securing with cable ties to the upper bracket as you do so. Position the harness between the fuel tank front bracket and the radiator infill panel.



- 1. Fog light harness
- 2. Upper bracket
- 3. Fuel tank front bracket

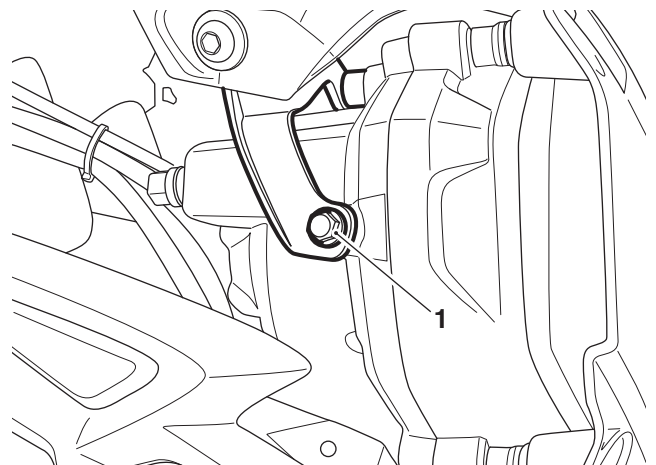
Fog Light Bracket Fitment

1. Drill out the front hole in both cockpit panels to 12 mm diameter, to allow fitment of the flanged sleeves.



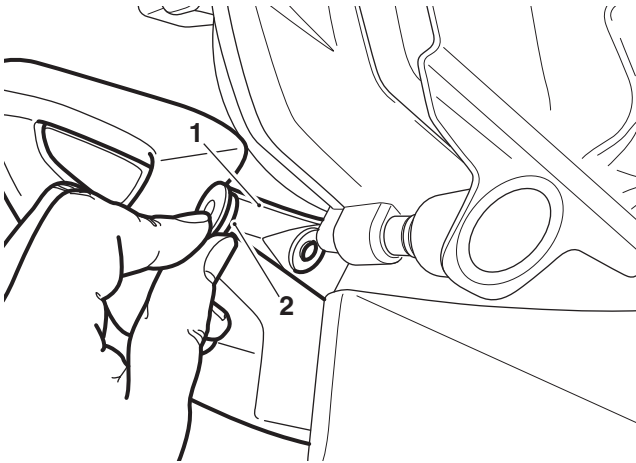
- 1. Cockpit panel
- 2. Front hole - drill out to 12 mm

2. From the inside, fit a flanged sleeve to the two 12 mm holes drilled through cockpit panel at the previous step.
3. Refit the cockpit panels, ensuring the flanged sleeves remain in position. Do not fit the front hole fixing at this stage. Ensure the sub-harness fog light cables are not trapped by the cockpit panels.
4. Remove the windscreen bracket lower fixings from the headlight. Retain the fixings if the motorcycle is to be returned to its original condition.

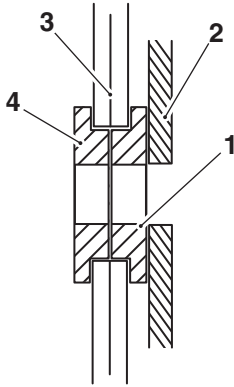


- 1. Windscreen bracket lower fixing

5. Insert a second flanged sleeve into the outside of 12 mm hole in right hand cockpit panel.



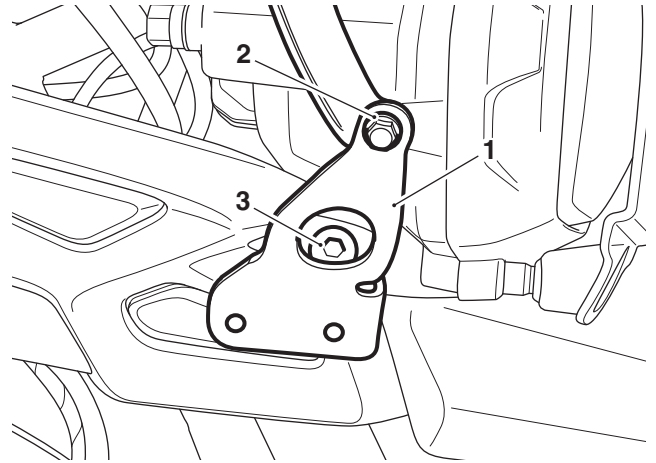
1. Cockpit panel
2. Outer flanged sleeve



Spacer to Cockpit Installation

1. Inner spacer
 2. Front subframe
 3. Cockpit panel
 4. Outer spacer
6. Attach the right hand fog light bracket at the headlight using an M6 x 16 mm bolt. Do not tighten the fixing at this stage.

7. Attach the right hand fog light bracket to the cockpit panel through the flanged sleeve using an M6 x 25 mm bolt, and re-using the original lock nut.



1. Fog light bracket
2. Upper bolt
3. Lower bolt

8. Tighten the upper bolt to **4 Nm** and lower bolt to **9 Nm**.
9. Repeat steps 5 to 7 for the left hand bracket.

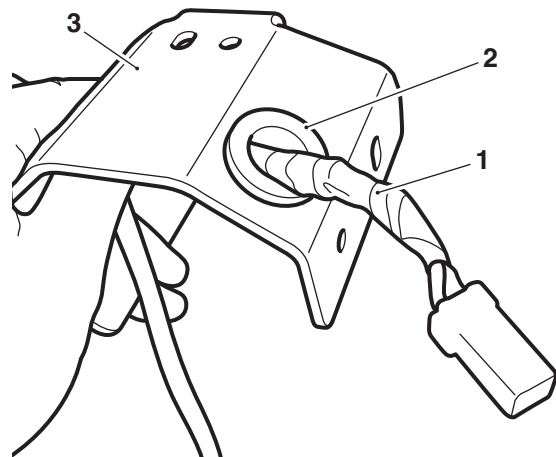
Fog Light Fitment



Caution

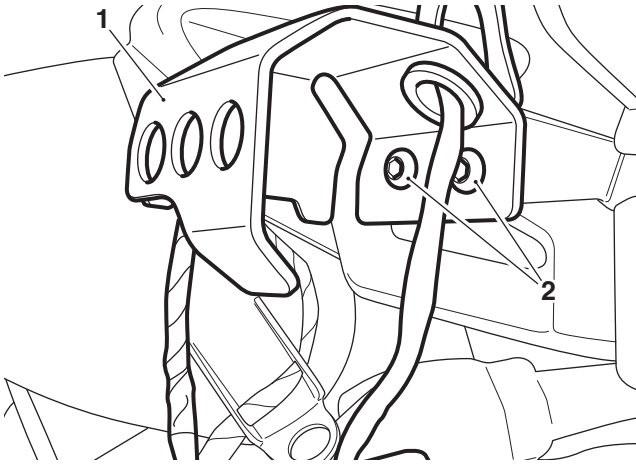
Do not allow the fog light to hang unsupported from the harness during installation. Allowing the fog light to hang from the harness will cause damage to the fog light.

1. Fit a grommet on to the right hand fog light harness.
2. Fit the grommet through the cable hole in the right hand shroud.



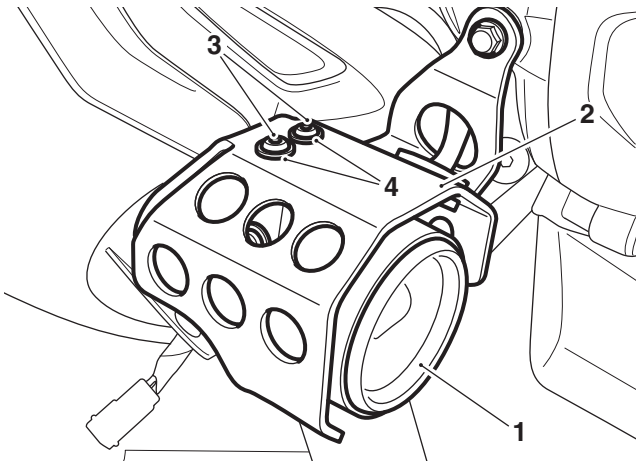
1. Fog light harness
2. Grommet
3. Shroud

- Attach the shroud to the right hand fog light bracket using the M5 x 16 mm screws. Do not tighten the fixings at this stage.



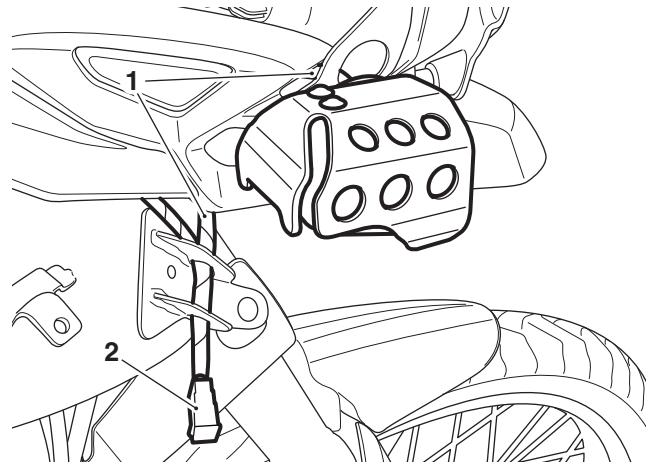
- Shroud
- M5 x 16 mm screws

- Adjust the shroud until it is horizontal and tighten the screws to **6 Nm**.
- Fit the right hand fog light to the shroud using two M5 x 12 mm screws and M5 washers. Do not tighten the fixings at this stage.



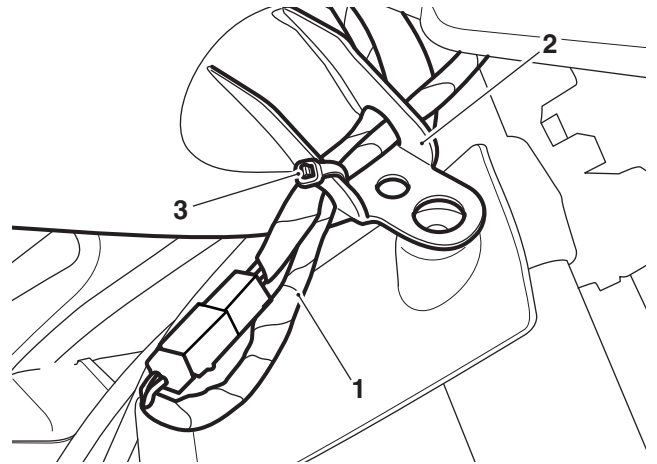
- Fog light
- Shroud
- M5 x 12 mm screws
- Washers

- Route the fog light cable through the mounting bracket, around the cockpit moulding, under the fuel tank front bracket and connect to the sub-harness connector.



- Fog light harness
- Sub-harness connector

- Ensuring there is no slack in the cable, cable tie the harness to the fuel tank front bracket.



- Fog light harness
- Fuel tank front bracket
- Cable tie

- Repeat steps 1 to 7 for the left hand bracket, ensuring the left hand shroud aligns to the right hand shroud.
- Refit the upper and lower side panels as described in the Service Manual.
- Reconnect the battery, positive (red) lead first and refit the seats.

Fog Light System Testing

Note:

- **Fuse number 2 protects the fog light circuit. Refer to the label in the fuse box lid for fuse amperage.**

1. Run the engine to avoid draining the battery.
2. Operate the switch and check that the fog lights come on when the switch is illuminated.
3. Adjust fog lights to the required position and torque the fixings to **3 Nm**. Ensure that the fog light is adjusted so that it does not contact the shroud during operation.

Operation

1. The fog light switch has two operating modes and will change colour as described below:
 - OFF - white
 - ON - green.
2. The switch will automatically reset to the OFF position whenever the engine is started or stopped.

Bulb Replacement (A9838003 and A9838011 only)



Warning

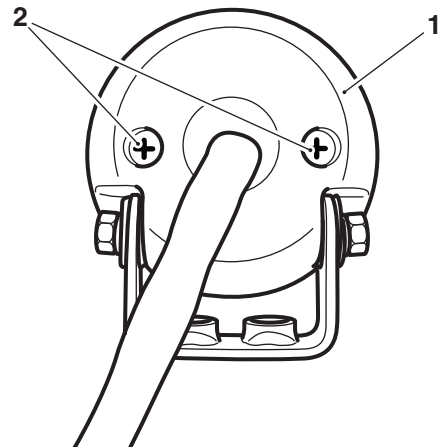
The bulbs become hot during use. Always allow sufficient time for the bulb to cool before handling. Avoid touching the glass part of the bulb. If the glass is touched or gets dirty, clean with alcohol before re-use.



Caution

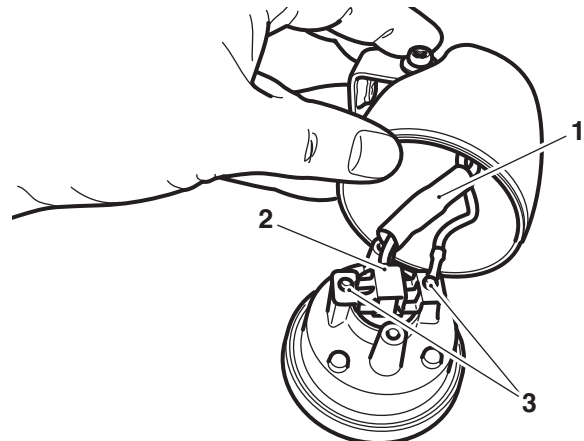
Do not allow the fog light to hang unsupported from the harness during bulb replacement. Allowing the fog light to hang from the harness will cause damage to the fog light.

1. Remove the fog light unit from the shroud.
2. Remove the two screws from the rear of the light unit.



1. Fog light
2. Screws

3. Pull the lens out of the case.
4. Disconnect the bullet connector inside the light unit.
5. Remove the two screws securing the bulb retainer and remove the bulb.



1. Connector
2. Bulb retainer
3. Screws

6. Installation is the reverse of the removal process.



Caution

Use a genuine Triumph supplied bulb as specified in the Triumph Parts Catalogue.

Always have replacement bulbs installed by an authorised Triumph dealer.



Warning

If, after fitment of this accessory kit, you have any doubt about the performance of any aspect of the motorcycle, contact an authorised Triumph dealer and do not ride the motorcycle until the authorised dealer has declared it fit for use. Riding a motorcycle when there is any doubt as to any aspect of the performance of the motorcycle may result in loss of control of the motorcycle leading to an accident.



Warning

Never ride an accessory equipped motorcycle at speeds above 80 mph (130 km/h).

The presence of accessories will cause changes in the stability and handling of the motorcycle. Failure to allow for changes in motorcycle stability may lead to loss of control or an accident.

Remember that the 80 mph (130 km/h) limit will be reduced by the fitting of non-approved accessories, incorrect loading, worn tyres, overall motorcycle condition and poor road or weather conditions.



Warning

The motorcycle must not be operated above the legal road speed limit except in closed course conditions.



Warning

Only operate this Triumph motorcycle at high speed in closed course, on-road competition or on closed-course racetracks. High speed operation should only be attempted by riders who have been instructed in the techniques necessary for high speed riding and are familiar with the motorcycle's characteristics in all conditions.

High speed operation in any other circumstances is dangerous and will lead to loss of motorcycle control and an accident.