



AIRCRAFT COMPANY

COMMERCIAL AIRCRAFT DIVISION

Wichita, Kansas

**Cessna 210G, H, J
Cessna T210G, H, J
1967-1969
Parts Catalog**

**THIS CATALOG SUPERSEDES PREVIOUS 210 & T210
PARTS CATALOGS DATED: 15 OCTOBER 1966 & 1 DECEMBER 1967**

 15 SEPTEMBER 1968 

**Courtesy of Bomar Flying Service
www.bomar.biz**

LIST OF EFFECTIVE PAGES

Dates of issue for original and changed pages are:

Original . . . 0 . . . 15 September 1968

TOTAL NUMBER OF PAGES IN THIS PUBLICATION IS 506 CONSISTING OF THE FOLLOWING:

Page No.	Change No.	Page No.	Change No.	Page No.	Change No.
Title	0	83 blank	0	242 thru 247	0
A	0	84 thru 90	0	247A thru 247C	0
i thru iv	0	91 blank	0	247D blank	0
iv-a	0	92 thru 95	0	248 thru 251	0
iv-b	0	95A	0	251A thru 251H	0
v thru viii	0	95B blank	0	252	0
viii-a	0	96 thru 99	0	253	0
viii-b	0	99A	0	253A	0
ix thru xviii	0	99B	0	253B	0
1 thru 5	0	100 thru 113	0	254	0
5A	0	113A	0	254A	0
5B	0	113B blank	0	254B blank	0
6	0	114 thru 128	0	255 thru 260	0
7	0	128A	0	260A thru 260C	0
7A	0	128B blank	0	260D blank	0
7B	0	129 thru 131	0	261 thru 267	0
8 thru 16	0	131A	0	267A	0
16A	0	131B blank	0	267B	0
16B	0	132 thru 140	0	268 thru 275	0
17 thru 19	0	141 blank	0	275A	0
19A	0	142 thru 151	0	275B	0
19B	0	151A thru 151J	0	276	0
20	0	152	0	276A	0
21	0	153	0	276B	0
22	0	153A	0	277 thru 293	0
22A blank	0	153B	0	293A	0
22B	0	154	0	293B	0
23 thru 29	0	155	0	294 thru 307	0
29A	0	155A thru 155D	0	307A	0
29B	0	156 thru 160	0	307B	0
30 thru 41	0	161 blank	0	307C	0
41A	0	162 thru 200	0	307D blank	0
41B blank	0	201 blank	0	307E	0
42 thru 47	0	202 thru 212	0	307F	0
47A thru 47D	0	213 blank	0	308 thru 311	0
48 thru 58	0	214 thru 230	0	311A thru 311F	0
59 blank	0	231 blank	0	312 thru 314	0
60 thru 79	0	232 thru 238	0	315 blank	0
79A	0	238A	0	316	0
79B blank	0	238B	0	317	0
80	0	239 thru 241	0	317A thru 317F	0
81	0	241A thru 241E	0	318	0
82	0	241F blank	0	319 blank	0
				320 thru 370	0

Upon receipt of the second and subsequent changes to this book, personnel responsible for maintaining this publication in current status should ascertain that all previous changes have been received and incorporated.

* The asterisk indicates pages changed, added, or deleted by the current change.

INTRODUCTION.

This illustrated parts catalog has been prepared to aid you in easily and quickly identifying parts of the models covered herein.

This catalog features an index system consisting of:

1. An alphabetical index located in the front of the catalog.
2. A numerical index located in the back of the catalog, which lists all parts and figures in which they appear.

STANDARD PARTS.

Many parts having standard usage have been incorporated into the Cessna Standard System. Parts in this group are designated with the part number prefix "S-".

For standard hardware items such as Tinnerman nuts, clamps, etc., "AN" and "NAS" numbers have been used.

USABLE ON CODES... Serial listings in this catalog are noted by a letter code located in the usable on code column which is the extreme right hand column of the parts list page. Usable on codes are applicable only to the figure on which they appear. The code letters and the serials to which they apply are listed at the end of the figure.

If no usable on code appears opposite a first column listing of the figure, the usage is applicable to all models and serials covered by this catalog. If no usable on code appears opposite any indented listing, the usage is applicable to all models and serials covered by the figure on which it appears.

NON-INTERCHANGEABLE PARTS... When parts are not interchangeable with earlier models, all parts applicable to the particular usage are listed. The letter code for the individual part usage is listed in the usable on column opposite each part. Care should be exercised in determining proper serial when ordering to insure receipt of correct part.

INTERCHANGEABLE PARTS... When a later design part is completely interchangeable with the part it replaces, both parts will be serialized and the notation "when exhausted use ___" will be entered following the listing of the earlier design part. This means that the earlier design part should be used on airplanes to which they apply until the supply of these parts is exhausted---after which time the later design part must be used. This is done to simplify stocking of parts by our distributors and dealers. The earlier part is as good, physically and functionally, as the later design part---the difference being the later design part can be used on more than one block of airplane serials.

SYMBOLS & PART NUMBER TERMS.

NP - The symbol "NP" appearing in the units per assembly column denotes that the item it appears opposite is not procurable.

AR - The symbol "AR" appearing in the units per assembly column denotes "As Required" and is used to indicate bulk quantity where an indefinite amount is used.

ALT - The symbol "ALT" following the nomenclature of an item is used to denote an alternate part.

LH & RH - The symbols either LH or RH are used following the part nomenclature to denote either left hand or right hand parts.

Other key letter symbols spaced apart from and following the part nomenclature are for cataloging and manufacturing purposes only and are not to be considered by the customer.

A blank entry in the part number column appears before an unprocurable part or installation which is also denoted in the "Units Per Assembly" column by the use of the symbol NP.

GROUP ASSEMBLY PARTS LIST ARRANGEMENT..

This section lists all replaceable items in the airplane and these items are detailed on illustrations throughout the section. The index numbers on the illustration are keyed to each accompanying parts list. The purpose of the index numbers is to provide complete and positive identification of the article, but should not be used for procurement purposes.

- a. The figure and index number column of the parts list shows the figure number once at the beginning of the list. The figure number is followed by a dash and the indexed number. The remaining index numbers are preceded by dash only.
- b. The part number column identifies the item by part number.
- c. In the description column, relationship of items covered is shown by the degree of indentation of each item, for example: The wing assembly (Figure 1) is listed in column (1) of the description column. The wing structure, is the next lower assembly and is therefore listed in column (2).
- d. If two or more assemblies contain a majority of identical parts or the assemblies are left or right hand, the assemblies are listed together and the next lower assemblies or detail parts are listed as common for both assemblies, with the differing parts coded for usage on the correct major assembly.
- e. Attaching parts are listed immediately beneath the item to be attached and preceding any detail parts of the item. They are listed in the same column as the item they attach and are preceded by the caption "Attaching Parts." The end of the attaching parts listing is followed by a separating symbol ---*---

- f. The quantity listed in the "Units Per Assembly" column for attaching parts denotes the quantity necessary to attach only one part. Total quantity necessary to attach more than one part is obtained by multiplying the attaching parts quantity by the number of parts attached.
- g. Component parts of the complete airplane which are not included in any assembly, but which are used in conjunction with, or attach to certain assemblies, are listed either preceding the first detail or following the last detail of the assembly or installation, and in the same column as the major assembly or installation.
- h. The quantities listed in the "Units Per Assembly" column are the quantity used per figure.

ACCESSORY KITS.

For accessory kit listings, refer to separate Accessory Kit Catalog.

BULK ITEMS.

Certain items such as flexible air hose, rubber mouldings and channels, windshield sealing strips etc., are noted in the catalog listings as bulk items. These listings also note the cut length of these materials for one installation. When an item is listed as a bulk item, it will be supplied to the dealer in the most convenient bulk length or quantity. Reference to the cut length or quantity per installation provides for the most satisfactory disbursement to the customer.

HOW TO ORDER.

USE YOUR CATALOG TO ORDER PARTS. Use parts and Accessories Order Form, which will be supplied by Cessna on request. Give complete information on addresses and make sure the part number and part name are as shown in the catalog. Be sure to specify quantities. Specify how the order is to be shipped, otherwise it will be sent out in the manner that seems best to the shipper.

SERIAL, COLOR, & CORROSION PROOFING.

Be sure to indicate model and serial number of the airplane. Serial number is very important to properly identify parts used on each airplane. When color is involved refer to "Upholstery & Interior Trim" section for example. If corrosion proofing is desired add the letters "CP" following the part number.

DISTRIBUTOR ORDERS.

Distributors will send all orders to the factory with instructions as to the shipping destination. The factory prefers not to make C. O. D. shipments for the distributor and all billing will be made to the distributor in the case of direct shipments.

DEALER ORDERS.

Dealers will place all of their parts order requirements with their distributor. The factory will not honor orders received directly from a dealer. It will be necessary for us to forward it to the distributor for his action. Therefore, dealer orders sent direct to the distributor will result in much faster delivery on any parts that are required.

RETAIL ORDERS.

Retail orders will not be honored by the factory. They are to be placed with the dealer or distributor in the owner's territory and when received directly by the factory will be forwarded to the distributor from whose territory it was received. Considerable saving in time will result to the owner if his orders are placed with his dealer or distributor.



Cessna Aircraft Company reserves the right to cancel, add or change the parts and assemblies described in this catalog without notice.



"All aircraft, regardless of manufacturer, are certificated under model number designations. However, popular names are often used for marketing purposes. To provide a consistent method of referring to the various aircraft, model numbers will be used in this publication unless names are required to differentiate between versions of the same basic model. The following table provides a cross reference listing of popular name vs. model numbers."

NAME	MODEL YEAR	MODEL	SERIALS	
			BEGINNING	ENDING
210 CENTURION	1967	210G	21058819	21058936
TURBO-SYSTEM CENTURION	1967	T210G	T210-0198	T210-0307
210 CENTURION	1968	210H	21058937	21059061
TURBO-SYSTEM CENTURION	1968	T210H	T210-0308	T210-0392
210 CENTURION	1969	210J	21059062	
TURBO-SYSTEM CENTURION	1969	T210J	T210-0393	

FINISH & TRIM PLATE

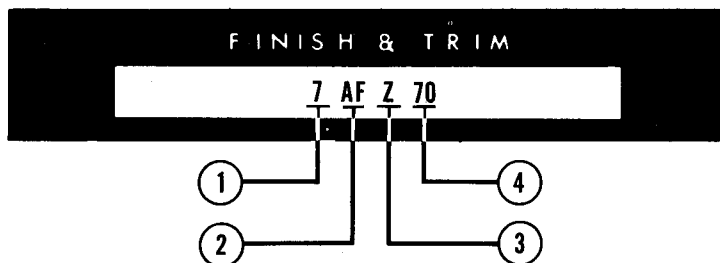
The "FINISH AND TRIM" plate is located on the left side of the airplane on the lower door jamb directly below the M.A.A. nameplate.

This plate indicates model year, interior color scheme and the exterior color combination.

Interpretation of information stamped on the Finish and Trim Plate is obtained by use of the Color Code Chart for the respective year.

Color Code Charts for yearly models appear on pages immediately following this page.

The Finish and Trim Plate is explained below. Explanatory remarks are keyed to the illustrated example.



- ① First column number indicates year.
- ② Second column letter or letters indicate interior color code of aircraft. Refer to Color Code Chart for respective year to obtain color.
- ③ Third column letter indicates optional carpet color.
- ④ Fourth column number or numbers indicate exterior trim. The basic number is found on the Color Code Chart and indicates colors and type paint used on the aircraft.

Basic exterior trim numbers preceded by number 3 denotes paint scheme reversal for arctic usage.

Interpretation of the example Finish and Trim Code 7-AF-Z-70 that is obtained from 1967 Color Code Chart is:

7 = 1967 model year
 AF = Bronze fabric
 Z = Black carpet (optional)
 70 = Vestal White, Tropical Orange & Italian Gold exterior.

MODEL 210 & T210				PAINT CODE CHART				MODEL 210 & T210			
YEAR	INTERIOR COLOR		INTERIOR PAINT				SERIAL LISTING	EXTERIOR PAINT			
	CODE	COLOR	AF	BF	CF	DF		CODE	COLOR COMBINATIONS		
19767	AF	BRONZE FABRIC	BLACK SEMI-GLOSS CES-1054-156 LACQUER	BLACK SEMI-GLOSS CES-1054-156 LACQUER	BLACK SEMI-GLOSS CES-1054-156 LACQUER	BLACK SEMI-GLOSS CES-1054-156 LACQUER	70 370	VESTAL WHITE CES-1054-170 VINYL CES-1054-802 ACRYLIC	TROPICAL ORANGE CES-1054-849 LACQUER CES-1054-774 ACRYLIC	ITALIAN GOLD CES-1054-265 LACQUER CES-1054-834 ACRYLIC	
			CLOUD GREY CES-1054-531 LACQUER	CLOUD GREY CES-1054-531 LACQUER	CLOUD GREY CES-1054-531 LACQUER	CLOUD GREY CES-1054-531 LACQUER	71 371	VESTAL WHITE CES-1054-170 VINYL CES-1054-802 ACRYLIC	TROPICAL ORANGE CES-1054-849 LACQUER CES-1054-774 ACRYLIC	VALOR RED CES-1054-409 LACQUER CES-1054-806 ACRYLIC	
	BF	BLUE FABRIC	DULL BLACK CES-1054-193 LACQUER	DULL BLACK CES-1054-193 LACQUER	DULL BLACK CES-1054-193 LACQUER	DULL BLACK CES-1054-193 LACQUER	72 372	VESTAL WHITE CES-1054-170 VINYL CES-1054-802 ACRYLIC	TROPICAL ORANGE CES-1054-849 LACQUER CES-1054-774 ACRYLIC	AUTUMN RUSSET METALLIC CES-1054-571 LACQUER CES-1054-835 ACRYLIC	
			BRONZE CES-1054-719 LACQUER	BLUE CES-1054-798 LACQUER	AVOCADO CES-1054-796 LACQUER	RED APPLE CES-1054-718 LACQUER	73 373	VESTAL WHITE CES-1054-170 VINYL CES-1054-802 ACRYLIC	EMPRESS BLUE CES-1054-604 LACQUER CES-1054-832 ACRYLIC	ARISTO BLUE METALLIC CES-1054-487 LACQUER CES-1054-837 ACRYLIC	
	CF	AVOCODO FABRIC	BRONZE CES-1054-719 LACQUER	BLUE CES-1054-798 LACQUER	AVOCADO CES-1054-796 LACQUER	RED APPLE CES-1054-718 LACQUER	74 374	VESTAL WHITE CES-1054-170 VINYL CES-1054-802 ACRYLIC	EMPRESS BLUE CES-1054-604 LACQUER CES-1054-832 ACRYLIC	VENICE BLUE METALLIC CES-1054-572 LACQUER	
			BRONZE CES-1054-751 VINYL	BLUE CES-1054-799 VINYL	AVOCADO CES-1054-797 VINYL	RED APPLE CES-1054-750 VINYL	75 375	VESTAL WHITE CES-1054-170 VINYL CES-1054-802 ACRYLIC	EMPRESS BLUE CES-1054-604 LACQUER CES-1054-832 ACRYLIC	VELVET BLACK CES-1054-151 LACQUER CES-1054-807 ACRYLIC	
	DF	RED FABRIC	BRONZE CES-1054-751 VINYL	BLUE CES-1054-799 VINYL	AVOCADO CES-1054-797 VINYL	RED APPLE CES-1054-750 VINYL	76 376	VESTAL WHITE CES-1054-170 VINYL CES-1054-802 ACRYLIC	VENICE BLUE METALLIC CES-1054-572 LACQUER CES-1054-833 ACRYLIC	VELVET BLACK CES-1054-151 LACQUER CES-1054-807 ACRYLIC	
			INTERIOR PAINT (Cont)				21058819 THRU 21058936 T210-0198 THRU T210-0307	VESTAL WHITE CES-1054-170 VINYL CES-1054-802 ACRYLIC	VALOR RED CES-1054-409 LACQUER CES-1054-806 ACRYLIC	IMPERIAL BURGUNDY METALLIC CES-1054-847 LACQUER CES-1054-767 ACRYLIC	
	DL	RED LEATHER	INTERIOR PAINT (Cont)					77 377	VESTAL WHITE CES-1054-170 VINYL CES-1054-802 ACRYLIC	VALOR RED CES-1054-409 LACQUER CES-1054-806 ACRYLIC	VELVET BLACK CES-1054-151 LACQUER CES-1054-807 ACRYLIC
			DL	EL	FL	GL		78 378	VESTAL WHITE CES-1054-170 VINYL CES-1054-802 ACRYLIC	IMPERIAL BURGUNDY METALLIC CES-1054-847 LACQUER CES-1054-767 ACRYLIC	VELVET BLACK CES-1054-151 LACQUER CES-1054-807 ACRYLIC
	EL	CLOUD GREY LEATHER	BLACK SEMI-GLOSS CES-1054-156 LACQUER	BLACK SEMI-GLOSS CES-1054-156 LACQUER	BLACK SEMI-GLOSS CES-1054-156 LACQUER	BLACK SEMI-GLOSS CES-1054-156 LACQUER		79 379	VESTAL WHITE CES-1054-170 VINYL CES-1054-802 ACRYLIC	GOLDENROD CES-1054-448 LACQUER CES-1054-802 ACRYLIC	ITALIAN GOLD CES-1054-265 LACQUER CES-1054-834 ACRYLIC
			CLOUD GREY CES-1054-531 LACQUER	CLOUD GREY CES-1054-531 LACQUER	CLOUD GREY CES-1054-531 LACQUER	CLOUD GREY CES-1054-531 LACQUER		80 380	VESTAL WHITE CES-1054-170 VINYL CES-1054-802 ACRYLIC	GOLDENROD CES-1054-448 LACQUER CES-1054-802 ACRYLIC	BELFAST BROWN CES-1054-773 ACRYLIC
FL	BLACK LEATHER	DULL BLACK CES-1054-193 LACQUER	DULL BLACK CES-1054-193 LACQUER	DULL BLACK CES-1054-193 LACQUER	DULL BLACK CES-1054-193 LACQUER	81 381		VESTAL WHITE CES-1054-170 VINYL CES-1054-802 ACRYLIC	BARCELONA BRONZE METALLIC CES-1054-770 ACRYLIC	AUTUMN RUSSET METALLIC CES-1054-571 LACQUER CES-1054-835 ACRYLIC	
		DULL BLACK CES-1054-193 LACQUER	DULL BLACK CES-1054-193 LACQUER	DULL BLACK CES-1054-193 LACQUER	DULL BLACK CES-1054-193 LACQUER	82 382		VESTAL WHITE CES-1054-170 VINYL CES-1054-802 ACRYLIC	BARCELONA BRONZE METALLIC CES-1054-770 ACRYLIC	IMPERIAL BURGUNDY METALLIC CES-1054-847 LACQUER CES-1054-767 ACRYLIC	
GL	TAN LEATHER	RED APPLE CES-1054-718 LACQUER	CLOUD GREY CES-1054-533 VINYL	BLACK CES-1054-752 VINYL	TAN CES-1054-717 LACQUER	83 383		VESTAL WHITE CES-1054-170 VINYL CES-1054-802 ACRYLIC	AUTUMN RUSSET METALLIC CES-1054-571 LACQUER CES-1054-835 ACRYLIC	VELVET BLACK CES-1054-151 LACQUER CES-1054-807 ACRYLIC	
		RED APPLE CES-1054-750 VINYL	LIGHT GREY CES-1054-586 LACQUER	LIGHT GREY CES-1054-586 LACQUER	TAN CES-1054-749 VINYL	84 384		VESTAL WHITE CES-1054-170 VINYL CES-1054-802 ACRYLIC	PINEHURST GREEN CES-1054-757 LACQUER CES-1054-836 ACRYLIC	GLENWOOD GREEN METALLIC CES-1054-768 ACRYLIC CES-1054-768 ACRYLIC	
Z	OPTIONAL BLACK CARPET	RED APPLE CES-1054-750 VINYL	LIGHT GREY CES-1054-586 LACQUER	LIGHT GREY CES-1054-586 LACQUER	TAN CES-1054-749 VINYL	85 385		VESTAL WHITE CES-1054-170 VINYL CES-1054-802 ACRYLIC	RACING GREEN CES-1054-692 LACQUER CES-1054-805 ACRYLIC	VELVET BLACK CES-1054-151 LACQUER CES-1054-807 ACRYLIC	
86 386						VESTAL WHITE CES-1054-170 VINYL CES-1054-802 ACRYLIC					

NOTE: WHEN ORDERING PAINT SPECIFY CES-1054 DASH NUMBER. EXAMPLE: CES1054-439

NOTE: Finish & trim plates on which the fourth column color code numbers are preceded by the letter "A" denotes that the airplane is painted with all Acrylic paint colors. To order paint for these airplanes use the equivalent 300 Series Code No. for the desired color as called out on this paint chart.

EXAMPLE: A70 - Refer to 370 for the correct Acrylic paint color part number.

NOTE: THE FOLLOWING TABLE CONSISTS OF HEAT RESISTANT POLYESTER PAINT TO BE USED ON THE RH COWL FLAP DOOR ON TURBO CHARGED AIRPLANES ONLY. TO BE ORDERED IN SAME MANNER AS ABOVE.

CODE	COLOR	CODE	COLOR	CODE	COLOR	CODE	COLOR
70 A70	ITALIAN GOLD CES-1054-861	374	VESTAL WHITE CES-1054-743	79 A79	VELVET BLACK CES-1054-866	383	VESTAL WHITE CES-1054-743
370	VESTAL WHITE CES-1054-743	75 A75	VELVET BLACK CES-1054-866	379	VESTAL WHITE CES-1054-743	84 A84	VELVET BLACK CES-1054-866
71 A71	VALOR RED CES-1054-862	375	VESTAL WHITE CES-1054-743	80 A80	ITALIAN GOLD CES-1054-861	384	VESTAL WHITE CES-1054-743
371	VESTAL WHITE CES-1054-743	76 A76	VELVET BLACK CES-1054-866	380	VESTAL WHITE CES-1054-743	85 A85	GLENWOOD GREEN MET. CES-1054-869
72 A72	AUTUMN RUSSET MET. CES-1054-863	376	VESTAL WHITE CES-1054-743	81 A81	BELFAST BROWN CES-1054-868	385	VESTAL WHITE CES-1054-743
372	VESTAL WHITE CES-1054-743	77 A77	IMPERIAL BURGUNDY MET. CES-1054-867	381	VESTAL WHITE CES-1054-743	86 A86	VELVET BLACK CES-1054-866
73 A73	ARISTO BLUE MET. CES-1054-864	377	VESTAL WHITE CES-1054-743	82 A82	AUTUMN RUSSET MET. CES-1054-863	386	VESTAL WHITE CES-1054-743
373	VESTAL WHITE CES-1054-743	78 A78	VELVET BLACK CES-1054-866	382	VESTAL WHITE CES-1054-743		
74 A74	VENICE BLUE MET. CES-1054-865	378	VESTAL WHITE CES-1054-743	83 A83	IMPERIAL BURGUNDY MET. CES-1054-867		

MODELS 210 & T210			PAINT CODE CHART				MODELS 210 & T210				
YEAR	INTERIOR COLOR		INTERIOR PAINT				SERIAL LISTING	EXTERIOR PAINT			
	CODE	COLOR	BF	CF	DF	GF		CODE	COLOR COMBINATIONS		
1 9 6 8	BF	Blue Fabric	BLACK SEMI-GLOSS CES1054-156 LACQUER	BLACK SEMI-GLOSS CES1054-156 LACQUER	BLACK SEMI-GLOSS CES1054-156 LACQUER	BLACK SEMI-GLOSS CES1054-156 LACQUER	21058937 THRU 21059061 T210-0308 THRU T210-0392	30 330	VESTAL WHITE CES1054-802 *CES1054-743	ASCOT YELLOW CES1054-870	ITALIAN GOLD CES1054-834 *CES1054-861
			CLOUD GREY CES1054-531 LACQUER	CLOUD GREY CES1054-531 LACQUER	CLOUD GREY CES1054-531 LACQUER	CLOUD GREY CES1054-531 LACQUER		31 331	VESTAL WHITE CES1054-802 *CES1054-743	ASCOT YELLOW CES1054-870	BELFAST BROWN CES1054-773 *CES1054-868
			DULL BLACK CES1054-193 LACQUER	DULL BLACK CES1054-193 LACQUER	DULL BLACK CES1054-193 LACQUER	DULL BLACK CES1054-193 LACQUER		32 332	VESTAL WHITE CES1054-802 *CES1054-743	ASCOT YELLOW CES1054-870	TROPICAL ORANGE CES1054-774 *CES1054-891
			BLUE CES1054-798 LACQUER	AVOCADO CES1054-796 LACQUER	RED APPLE CES1054-718 LACQUER	TAN CES1054-717 LACQUER		33 333	VESTAL WHITE CES1054-802 *CES1054-743	TROPICAL ORANGE CES1054-774	BELFAST BROWN CES1054-773 *CES1054-868
	CF	Avocado Fabric	BLUE CES1054-799 VINYL	AVOCADO CES1054-797 VINYL	RED APPLE CES1054-750 VINYL	TAN CES1054-749 VINYL		34 334	VESTAL WHITE CES1054-802 *CES1054-743	VALOR RED CES1054-806	CRANBERRY RED CES1054-875 *CES1054-892
			BLUE CES1054-799 VINYL	AVOCADO CES1054-797 VINYL	RED APPLE CES1054-750 VINYL	TAN CES1054-749 VINYL		35 335	VESTAL WHITE CES1054-802 *CES1054-743	CRANBERRY RED CES1054-875	VELVET BLACK CES1054-807 *CES1054-866
	DF	Red Fabric	INTERIOR PAINT (Cont)					36 336	VESTAL WHITE CES1054-802 *CES1054-743	VALOR RED CES1054-806	VELVET BLACK CES1054-807 *CES1054-866
			INTERIOR COLOR CODE					37 337	VESTAL WHITE CES1054-802 *CES1054-743	CRANBERRY RED CES1054-875	IMP BURGUNDY MET CES1054-787 *CES1054-887
	GF	Tan Fabric	DL	EL	FL	GL		38 338	VESTAL WHITE CES1054-802 *CES1054-743	EMPRESS BLUE CES1054-832	VENICE BLUE MET CES1054-833 *CES1054-865
			DL	EL	FL	GL		39 339	VESTAL WHITE CES1054-802 *CES1054-743	EMPRESS BLUE CES1054-832	VELVET BLACK CES1054-807 *CES1054-866
	DL	Red Leather	BLACK SEMI-GLOSS CES1054-156 LACQUER	BLACK SEMI-GLOSS CES1054-156 LACQUER	BLACK SEMI-GLOSS CES1054-156 LACQUER	BLACK SEMI-GLOSS CES1054-156 LACQUER		40 340	VESTAL WHITE CES1054-802 *CES1054-743	PINEHURST GREEN CES1054-838	GLENWOOD GREEN MET CES1054-788 *CES1054-889
			CLOUD GREY CES1054-531 LACQUER	CLOUD GREY CES1054-531 LACQUER	CLOUD GREY CES1054-531 LACQUER	CLOUD GREY CES1054-531 LACQUER		41 341	VESTAL WHITE CES1054-802 *CES1054-743	PINEHURST GREEN CES1054-838	RACING GREEN CES1054-805 *CES1054-874
	EL	Cloud Grey Leather	DULL BLACK CES1054-193 LACQUER	DULL BLACK CES1054-193 LACQUER	DULL BLACK CES1054-193 LACQUER	DULL BLACK CES1054-193 LACQUER		42 342	VESTAL WHITE CES1054-802 *CES1054-743	CHESTNUT MET CES1054-845	VELVET BLACK CES1054-807 *CES1054-866
			RED APPLE CES1054-718 LACQUER	CLOUD GREY CES1054-533 VINYL	BLACK CES1054-752 VINYL	TAN CES1054-717 LACQUER		43 343	VESTAL WHITE CES1054-802 *CES1054-743	ITALIAN GOLD CES1054-834	BELFAST BROWN CES1054-773 *CES1054-868
	FL	Black Leather	RED APPLE CES1054-750 VINYL	LIGHT GREY CES1054-586 LACQUER	LIGHT GREY CES1054-586 LACQUER	TAN CES1054-749 VINYL		44 344	VESTAL WHITE CES1054-802 *CES1054-743	CHESTNUT MET CES1054-845	BELFAST BROWN CES1054-773 *CES1054-868
			RED APPLE CES1054-750 VINYL	LIGHT GREY CES1054-586 LACQUER	LIGHT GREY CES1054-586 LACQUER	TAN CES1054-749 VINYL					
GL	Tan Leather										
Z	Optional Black Carpet										

NOTE: WHEN ORDERING PAINT SPECIFY CES-1054 DASH NUMBER. EXAMPLE: CES1054-439
*POLYESTER PAINT TO BE USED ON RH COWL FLAP OF TURBO-CHARGED AIRCRAFT ONLY

MODELS 210 & T210			PAINT CODE CHART				MODELS 210 & T210					
YEAR	INTERIOR COLOR		INTERIOR PAINT				SERIAL LISTING	EXTERIOR PAINT				
	CODE	COLOR	BF	DF	HF	JF		CODE	COLOR COMBINATIONS			
1 9 6 9	BF	Royal Blue Fabric	BLACK SEMI-GLOSS CESI054-156 LACQUER	BLACK SEMI-GLOSS CESI054-156 LACQUER	BLACK SEMI-GLOSS CESI054-156 LACQUER	BLACK SEMI-GLOSS CESI054-156 LACQUER	21059062 & ON T210-0393 & ON	964 3964	VALOR RED CESI054-806 *CESI054-862	IMP BURGUNDY MET CESI054-767	VESTAL WHITE CESI054-802 *CESI054-743	
		DF	Dragon Red Fabric	CLOUD GREY CESI054-531 LACQUER	CLOUD GREY CESI054-531 LACQUER	CLOUD GREY CESI054-531 LACQUER		CLOUD GREY CESI054-531 LACQUER	965 3965	VALOR RED CESI054-806 *CESI054-862	IMP BURGUNDY MET CESI054-767	TANGIER BEIGE CESI054-916 *CESI054-949
			HF	Velvet Gold Fabric	DULL BLACK CESI054-193 LACQUER	DULL BLACK CESI054-193 LACQUER		DULL BLACK CESI054-193 LACQUER	DULL BLACK CESI054-193 LACQUER	966 3966	GLACIER BLUE MET CESI054-915 *CESI054-945	CATALINA BLUE MET CESI054-914
		JF		Aspen Gold Fabric	BLUE CESI054-906 LACQUER	RED CESI054-904 LACQUER		GOLD CESI054-908 LACQUER	GOLD CESI054-800 LACQUER	967 3967	GLACIER BLUE MET CESI054-915 *CESI054-945	CATALINA BLUE MET CESI054-914
	DL		Dragon Red Leather	INTERIOR PAINT				21059062 & ON T210-0393 & ON	968 3968	BAROQUE GOLD MET CESI054-913 *CESI054-946	GOLDENROD CESI054-803	VESTAL WHITE CESI054-802 *CESI054-743
		INTERIOR COLOR CODE				EL			Cloud Grey Leather	BLACK SEMI-GLOSS CESI054-156 LACQUER	BLACK SEMI-GLOSS CESI054-156 LACQUER	SUN YELLOW CESI054-918 *CESI054-951
	FL	Black Leather	DL	EL	FL				GL	969 3969	BAROQUE GOLD MET CESI054-913 *CESI054-946	GOLDENROD CESI054-803
			CLOUD GREY CESI054-531 LACQUER	CLOUD GREY CESI054-531 LACQUER	CLOUD GREY CESI054-531 LACQUER	CLOUD GREY CESI054-531 LACQUER			970 3970	GOLDENROD CESI054-803 *CESI054-872	BELFAST BROWN CESI054-773	VESTAL WHITE CESI054-802 *CESI054-743
	GL	Canyon Tan Leather	DULL BLACK CESI054-193 LACQUER	DULL BLACK CESI054-193 LACQUER	DULL BLACK CESI054-193 LACQUER	DULL BLACK CESI054-193 LACQUER			971 3971	GOLDENROD CESI054-803 *CESI054-872	BELFAST BROWN CESI054-773	SUN YELLOW CESI054-918 *CESI054-951
			RED CESI054-904 LACQUER	LIGHT GREY CESI054-531 LACQUER	BLACK CESI054-752 VINYL	TAN CESI054-717 LACQUER			972 3972	EMERALD GREEN MET CESI054-846 *CESI054-947	VELVET BLACK CESI054-807	VESTAL WHITE CESI054-802 *CESI054-743
	Z	Optional Black Carpet	RED CESI054-905 VINYL	LIGHT GREY CESI054-533 VINYL		TAN CESI054-749 VINYL			973 3973	KINGSTON GREEN MET CESI054-919 *CESI054-948	VELVET BLACK CESI054-807	VESTAL WHITE CESI054-802 *CESI054-743

NOTE: WHEN ORDERING PAINT SPECIFY CES 1054 DASH NUMBER. EXAMPLE: CES1054-439
*POLYESTER PAINT TO BE USED ON RH COWL FLAP OF TURBO-CHARGED AIRCRAFT ONLY

UPHOLSTERY &

INTERIOR TRIM

INTERIOR PAINTED OR PLASTIC PARTS HOW TO ORDER

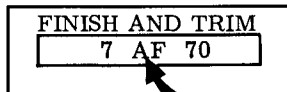
1967 MODEL & ON

PARTS MARKED WITH A = FOLLOWING PART NUMBER REQUIRE A SECOND DASH NUMBER FOR PROPER COLOR.

To obtain second dash number use of correct table, for your model year, is required.

To use table,

1. Find part number of desired part in catalog.
2. Refer to the "Finish and Trim" plate, in the airplane, for your "Interior Color Code."



3. Locate part number from catalog in table.
4. Add dash number for color that appears under your "Interior Color Code."

INTERIOR PAINTED OR PLASTIC PARTS 1967 MODEL YEAR 21058819 & ON T210-0198 & ON		INTERIOR COLOR CODE (From Finish and Trim Plate)							
PART NUMBER	PART NAME	AF	BF	CF	DF	GL	DL	EL	FL
0500312-2	MIRROR & COVER ASSEMBLY	279	279	279	279	279	279	279	279
0700631-5	SEAT BOTTOM - LH	751	789	797	750	749	533	752	752
0700631-6	SEAT BOTTOM - RH	751	789	797	750	749	533	752	752
0700631-7	DEFROSTER RETAINER	156	156	156	156	156	156	156	156
0713252-1	COVER - RADIO SWITCH	279	279	279	279	279	279	279	279
0713847-18	COVER - CENTER PANEL	279	279	279	279	279	279	279	279
0713865-3	COVER - COWL DECK	825	825	825	825	825	825	825	825
0713865-3	COVER - SHOCK PANEL	279	279	279	279	279	279	279	279
0713865-5	COVER - SHOCK PANEL	279	279	279	279	279	279	279	279
0713865-7	COVER - SHOCK PANEL	279	279	279	279	279	279	279	279
1200084-21	RETAINER - CABIN AIR VENT LH	719	798	796	718	718	717	531	156
1200084-22	RETAINER - CABIN AIR VENT RH	719	798	796	718	718	717	531	156
1200446-1	FOOTREST ASSEMBLY	726	794	793	720	720	721	532	279
1200454-28	COVER - BAGGAGE DOOR LATCH	726	794	793	720	720	721	532	279
1200527-4	TRIM ASSEMBLY - HIGH SEAT BACK	726	794	793	720	720	721	532	279
1200528-1	TRIM ASSEMBLY - SEAT BACK	726	794	793	720	720	721	532	279
1200535-6	MOULDING - DOOR RH	726	794	793	720	720	721	532	279
1200535-7	MOULDING - SIDE WINDOW LH	726	794	793	720	720	721	532	279

EXAMPLES OF COMPLETE NUMBER

0713252-1 - 279

Part Number
From Catalog

2nd Dash Number
From Table
(Interior Color Code A)

UPHOLSTERED PARTS - HOW TO ORDER

1967 MODEL & ON

PARTS MARKED WITH A # FOLLOWING PART NUMBER REQUIRE A SECOND DASH NUMBER FOR COLOR & MATERIAL

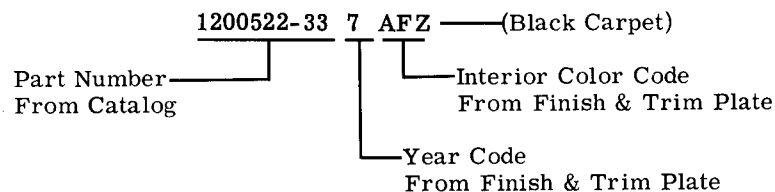
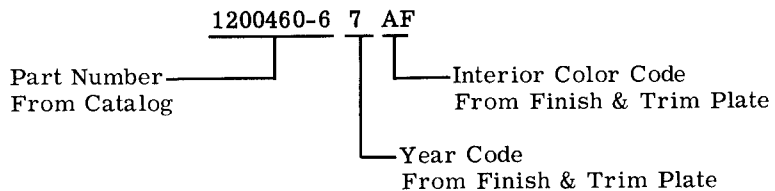
HOW TO DETERMINE 2nd DASH NUMBER

1. Find part number of desired part in catalog.
2. Refer to "FINISH & TRIM" plate, in the airplane, for your "Year Code" and "Interior Color Code."



3. Add the "Year Code" and "Interior Color Code," to the part number from catalog.

EXAMPLE OF COMPLETE NUMBER



INTERIOR PAINTED OR PLASTIC PARTS

1967 MODEL YEAR

21058819 THRU 21058936
T210-0198 THRU T210-0307

INTERIOR COLOR
CODE

(From Finish and Trim Plate)

PART NUMBER	PART NAME	INTERIOR COLOR CODE							
		AF	BF	CF	DF	GL	DL	EL	FL
0500312-2	MIRROR & COVER ASSEMBLY	279	279	279	279	279	279	279	279
0700631-5	SEAT BOTTOM - LH	751	799	797	750	750	749	533	752
0700631-6	SEAT BOTTOM - RH	751	799	797	750	750	749	533	752
0713046	DEFROSTER RETAINER	156	156	156	156	156	156	156	156
0713252-1	COVER - RADIO SWITCH	279	279	279	279	279	279	279	279
0713793-1	COVER - CENTER PANEL	279	279	279	279	279	279	279	279
0713847-16	COVER - COWL DECK	825	825	825	825	825	825	825	825
0713865-3	COVER - SHOCK PANEL	279	279	279	279	279	279	279	279
0713865-5	COVER - SHOCK PANEL	279	279	279	279	279	279	279	279
0713865-7	COVER - SHOCK PANEL	279	279	279	279	279	279	279	279
1200084-21	RETAINER - CABIN AIR VENT LH	719	798	796	718	718	717	531	156
1200084-22	RETAINER - CABIN AIR VENT RH	719	798	796	718	718	717	531	156
1200446-1	FOOTREST ASSEMBLY	726	794	793	720	720	721	532	279
1200454-28	COVER - BAGGAGE DOOR LATCH	726	794	793	720	720	721	532	279
1200527-4	TRIM ASSEMBLY - HIGH SEAT BACK	726	794	793	720	720	721	532	279
1200528-1	TRIM ASSEMBLY - SEAT BACK	726	794	793	720	720	721	532	279
1200535-6	MOULDING - DOOR RH	726	794	793	720	720	721	532	279
1200535-7	MOULDING - SIDE WINDOW LH	726	794	793	720	720	721	532	279
1200535-8	MOULDING - SIDE WINDOW RH	726	794	793	720	720	721	532	279
1200535-9	MOULDING - BAGGAGE DOOR WINDOW	726	794	793	720	720	721	532	279
1200535-19	MOULDING - LH REAR WINDOW	726	794	793	720	720	721	532	279
1200535-20	MOULDING - RH REAR WINDOW	726	794	793	720	720	721	532	279
1200535-22	SHIELD - DOORPOST RH	726	794	793	720	720	721	532	279
1200535-41	SHIELD - TRIM	726	794	793	720	720	721	532	279
1200535-43	MOULDING - DOOR LH	726	794	793	720	720	721	532	279
1200536-1	COVER - OXYGEN CONTROL	532	532	532	532	532	532	532	532
1200675-10	COVER ASSEMBLY - DECK	279	279	279	279	279	279	279	279
1200727-19	COVER ASSEMBLY - POST LIGHTED SHOCK PANEL	279	279	279	279	279	279	279	279
1200727-23	COVER ASSEMBLY - POST LIGHTED SHOCK PANEL	279	279	279	279	279	279	279	279
1200727-25	COVER ASSEMBLY - POST LIGHTED STATIONARY PANEL	279	279	279	279	279	279	279	279
1200736-3	SHIELD - DOORPOST LH	726	794	793	720	720	721	532	279
1200736-4	SHIELD - DOORPOST RH	726	794	793	720	720	721	532	279
1213138-1	COVER - STATIONARY PANEL	279	279	279	279	279	279	279	279
1213138-5	COVER - STATIONARY PANEL	279	279	279	279	279	279	279	279
1213139-2	TRIM PANEL - RH	726	794	793	720	720	721	577	577
1213139-3	TRIM PANEL - CENTER	726	794	793	720	720	721	577	577
1213139-6	TRIM PANEL - LH	726	794	793	720	720	721	577	577
1213146-1	DOOR ASSEMBLY - GLOVE BOX	726	794	793	720	721	720	577	577
1213434-6	COVER ASSEMBLY - PEDESTAL	726	794	793	720	720	721	532	279
1260461-2	COVER ASSEMBLY - FOLDING PEDAL	279	279	279	279	279	279	279	279
1414110-22	TRIM - SEAT BACK	726	794	793	720	720	721	532	279
1414110-29	TRIM ASSEMBLY - SEAT BACK	726	794	793	720	720	721	532	279
1414110-30	POCKET ASSEMBLY - MAGAZINE	726	794	793	720	720	721	532	279
1414263-7	SKIRT - SEAT BOTTOM LH	726	794	793	720	720	721	532	279
1414263-8	SKIRT - SEAT BOTTOM RH	726	794	793	720	720	721	532	279



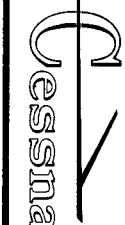
**INTERIOR PAINTED OR PLASTIC PARTS
1968 MODEL YEAR**

21058937 THRU 21059061
T210-0308 THRU T210-0392

**INTERIOR COLOR
CODE**

(From Finish and Trim Plate)

PART NUMBER	PART NAME	INTERIOR COLOR CODE							
		GF	BF	CF	DF	DL	GL	EL	FL
0500312-2	MIRROR & COVER ASSEMBLY	279	279	279	279	279	279	279	279
0700631-5	SEAT BOTTOM VERTICALLY ADJUSTABLE - LH.	717	798	796	718	718	717	531	156
0700631-6	SEAT BOTTOM VERTICALLY ADJUSTABLE - RH.	717	798	796	718	718	717	531	156
0713046	DEFROST RETAINER	156	156	156	156	156	156	156	156
0713847-6	COVER ASSEMBLY - INSPECTION OPENING	279	279	279	279	279	279	279	279
0713881-1	DOOR ASSEMBLY - GLOVE BOX.	721	794	793	720	720	721	577	577
1200084-21	RETAINER - CABIN AIR VENT LH.	717	798	796	718	718	717	531	156
1200084-22	RETAINER - CABIN AIR VENT RH.	717	798	796	718	718	717	531	156
1200446-1	FOOT REST ASSEMBLY	717	798	796	718	718	717	531	156
1200527-4	TRIM ASSEMBLY - HIGH SEAT BACK	721	794	793	720	720	721	532	279
1200528-1	TRIM ASSEMBLY - SEAT BACK	721	794	793	720	720	721	532	279
1200535-6	MOULDING - DOOR RH.	721	794	793	720	720	721	532	279
1200535-7	MOULDING - SIDE WINDOW LH.	721	794	793	720	720	721	532	279
1200535-8	MOULDING - SIDE WINDOW RH.	721	794	793	720	720	721	532	279
1200535-9	MOULDING - BAGGAGE DOOR WINDOW	721	794	793	720	720	721	532	279
1200535-20	MOULDING - REAR WINDOW RH	721	794	793	720	720	721	532	279
1200535-41	TRIM SHIELD	721	794	793	720	720	721	532	279
1200535-43	MOULDING - DOOR LH.	721	794	793	720	720	721	532	279
1200535-48	MOULDING ASSEMBLY - REAR WINDOW.	721	794	793	720	720	721	532	279
1200535-50	SHIELD - DOORPOST RH	721	794	793	720	720	721	532	279
1200675-10	COVER ASSEMBLY - DECK	825	825	825	825	825	825	825	825
1200736-7	SHIELD - DOORPOST LH	721	794	793	720	720	721	532	279
1200736-8	SHIELD - DOORPOST RH USED WITH MAPLIGHT.	721	794	793	720	720	721	532	279
1200756-5	COVER ASSEMBLY - PEDESTAL	721	794	793	720	720	721	532	279
1200756-8	COVER ASSEMBLY - PEDESTAL ELECTRIC TRIM.	721	794	793	720	720	721	532	279
1206454-28	COVER - BAGGAGE DOOR LATCH.	721	794	793	720	720	721	532	279
1211012-1	CONSOLE ASSEMBLY - FRONT	532	532	532	532	532	532	532	532
1211013-2	CONSOLE ASSEMBLY - REAR	532	532	532	532	532	532	532	532
1211019-2	DOOR - OVERHEAD CONSOLE	532	532	532	532	532	532	532	532
1213005-1	COVER - SWITCH MOUNTING BRACKET	279	279	279	279	279	279	279	279
1213006	COVER - LOWER CENTER INSTRUMENT PANEL.	721	794	793	720	720	721	577	577
1213014-1	COVER - LOWER LH INSTRUMENT PANEL.	721	794	793	720	720	721	577	577
1213089-1	TRIM PANEL - LH.	721	794	793	720	720	721	577	577
1213089-2	TRIM PANEL - RH.	721	794	793	720	720	721	577	577
1213096-2	COVER ASSEMBLY - POST LIGHTED INSTRUMENT PANEL	279	279	279	279	279	279	279	279
1213096-4	COVER - STATIONARY PANEL LH	279	279	279	279	279	279	279	279
1213116-1	COVER - CENTER PANEL	279	279	279	279	279	279	279	279
1213138-5	COVER - STATIONARY PANEL RH	279	279	279	279	279	279	279	279
1213138-7	COVER ASSEMBLY - POST LIGHTED INSTRUMENT PANEL	279	279	279	279	279	279	279	279
1260461-2	COVER ASSEMBLY - DISENGAGING RUDDER PEDAL.	279	279	279	279	279	279	279	279
1414110-22	TRIM ASSEMBLY - SEAT BACK.	721	794	793	720	720	721	532	279
1414110-29	TRIM ASSEMBLY - SEAT BACK.	721	794	793	720	720	721	532	279
1414110-30	POCKET ASSEMBLY - MAGAZINE.	721	794	793	720	720	721	532	279
1414263-7	SKIRT - SEAT BOTTOM LH.	721	794	793	720	720	721	532	279
1414263-8	SKIRT - SEAT BOTTOM RH.	721	794	793	720	720	721	532	279


Cessna illustrated parts catalog

MODELS 210 & T210

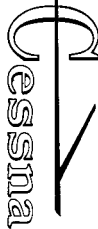
**INTERIOR PAINTED OR PLASTIC PARTS
1969 MODEL YEAR**

21059062 & ON
T210-0393 & ON

**INTERIOR COLOR
CODE**

(From Finish and Trim Plate)

PART NUMBER	PART NAME	INTERIOR COLOR CODE							
		HF	BF	JF	DF	DL	GL	EL	FL
0500312-2	COVER ASSEMBLY - MIRROR	279	279	279	279	279	279	279	279
0700631-5	SEAT BOTTOM VERTICALLY ADJUSTABLE - LH	906	904	908	800	904	531	156	717
0700631-6	SEAT BOTTOM VERTICALLY ADJUSTABLE - RH	906	904	908	800	904	531	156	717
0713046-1	DEFLECTOR RETAINER	156	156	156	156	156	156	156	156
0713881-2	TRIM ASSEMBLY - GLOVE BOX	902	901	903	795	901	532	279	721
1200084-21	TRIMMER - CABIN AIR VENT LH	906	904	908	800	904	531	156	717
1200084-22	TRIMMER - CABIN AIR VENT RH	906	904	908	800	904	531	156	717
1200446-1	TRIMMER ASSEMBLY	906	904	908	800	904	531	156	717
1200454-28	TRIMMER BAGGAGE DOOR LATCH	902	901	903	795	901	532	279	721
1200527-4	TRIMMER ASSEMBLY - HIGH SEAT BACK	902	901	903	795	901	532	279	721
1200528-1	TRIMMER ASSEMBLY - SEAT BACK	902	901	903	795	901	532	279	721
1200535-6	TRIMMER - DOOR RH	902	901	903	795	901	532	279	721
1200535-7	TRIMMER - SIDE WINDOW LH	902	901	903	795	901	532	279	721
1200535-8	TRIMMER - SIDE WINDOW RH	902	901	903	903	901	532	279	721
1200535-9	TRIMMER - BAGGAGE DOOR WINDOW	902	901	903	903	901	532	279	721
1200535-20	TRIMMER - REAR WINDOW RH	902	901	903	903	901	532	279	721
1200535-41	TRIMMER SHIELD	532	532	532	532	532	532	532	532
1200535-43	TRIMMER MOUNTING - DOOR LH	902	901	903	795	901	532	279	721
1200535-48	MOULDING ASSEMBLY - REAR WINDOW	902	901	903	795	901	532	279	721
1200535-58	SHIELD - DOORPOST RH	902	901	903	795	901	532	279	721
1200535-59	SHIELD - DOORPOST LH	902	901	903	795	901	532	279	721
1211012-1	CONSOLE ASSEMBLY - FRONT	532	532	532	532	532	532	532	532
1211085-1	COVER - AFT OVERHEAD CONSOLE	532	532	532	532	532	532	532	532
1211085-3	COVER ASSEMBLY - OVERHEAD CONSOLE POST LIGHTED	532	532	532	532	532	532	532	532
1211085-4	COVER - AFT OVERHEAD CONSOLE	532	532	532	532	532	532	532	532
1211085-6	COVER ASSEMBLY - OVERHEAD CONSOLE POST LIGHTED	532	532	532	532	532	532	532	532
1213005-1	COVER - SWITCH MOUNTING BRACKET	279	279	279	279	279	279	279	279
1213096-5	COVER ASSEMBLY - POST LIGHTED INSTRUMENT PANEL LH	279	279	279	279	279	279	279	279
1213096-6	COVER - STATIONARY PANEL LH	279	279	279	279	279	279	279	279
1213116-1	COVER - CENTER PANEL	279	279	279	279	279	279	279	279
1213138-8	COVER ASSEMBLY - POST LIGHTED INSTRUMENT PANEL RH	279	279	279	279	279	279	279	279
1213138-10	COVER - STATIONARY PANEL RH	279	279	279	279	279	279	279	279
1213174-2	COVER - LOWER INSTRUMENT PANEL	902	901	903	795	901	577	577	721
1213180-2	COVER ASSEMBLY - PEDESTAL	902	901	903	795	901	577	577	721
1213189-1	COVER - LOWER RH INSTRUMENT PANEL	902	901	903	795	901	577	577	721
1213190-1	COVER - CENTER PANEL LOWER	279	279	279	279	279	279	279	279
1260461-2	COVER ASSEMBLY - DISENGAGING RUDDER PEDAL	902	901	903	795	901	532	279	721
1414110-22	TRIM ASSEMBLY - SEAT BACK	902	901	903	795	901	532	279	721
1414110-29	TRIM ASSEMBLY - SEAT BACK	902	901	903	795	901	532	279	721
1414110-30	POCKET ASSEMBLY - MAGAZINE	902	901	903	795	901	532	279	721
1414263-7	SKIRT - SEAT BOTTOM LH	902	901	903	795	901	532	279	721
1414263-8	SKIRT - SEAT BOTTOM RH	902	901	903	795	901	532	279	721



 **ALPHABETICAL INDEX**

ALPHABETICAL INDEX

NOMENCLATURE	FIGURE	NOMENCLATURE	FIGURE
A		A (cont)	
ABRASION BOOT-STABILIZER	11	AIR SPEED INDICATOR	58A
ACCESS DOOR-OIL FILLER	70	AIR SPEED INDICATOR	58B
ACCESSORY KITS .SEE KIT CATALOG		AIR THROTTLE	75
ACTUATOR BODY-ROTARY	121	AIR THROTTLE	76
ACTUATOR LINES-MAIN GEAR WHEEL DOOR	123	AIR VENT RETAINER-CABIN	50
ACTUATOR-ELEVATOR TRIM COLLAR	99	AIR SPEED INDICATOR	103
ACTUATOR-FLAP	100	ALIGNMENT DOWL-HUB	66
ACTUATOR-FLAP	100A	ALLIANCE FOR PROGRESS PLACARD	2
ACTUATOR-MAIN GEAR ROTARY	121	ALTERNATE AIR DOOR	78
ACTUATOR-MAIN GEAR STRUT DOORS	122	ALTERNATE STATIC SOURCE INSTAL	103
ACTUATOR-MAIN GEAR WHEEL DOORS	122	ALTERNATE STATIC SOURCE PLACARD	2
ACTUATOR-MG UNLOCK	122	ALTERNATOR ADJUSTING ARM	130
ACTUATOR-N.G. DOORS & M.G. DOORS	124	ALTERNATOR DRIVE BELT	73
ACTUATOR-NOSE GEAR	117	ALTERNATOR DRIVE BELT	74
ACTUATOR-NOSE GEAR	117A	ALTERNATOR-SHOCK MOUNTED	130
ACTUATOR-NOSE GEAR DOORS	124	ALTIMETER	58
ACTUATOR-NOSE GEAR UNLOCK	117	ALTIMETER	58A
ACTUATOR-NOSE GEAR UNLOCK	117A	ALTIMETER	58B
ACTUATOR-UNLOCK & SEQUENCE	125	ALTIMETER	103
ACTUATOR-WHEEL DOOR	117	AMMETER	58
ACTUATOR-WHEEL DOOR	117A	AMMETER	58A
ADAPTER-FUEL FILLER	5	AMMETER	58B
ADAPTER-OIL FILTER	109	AMMETER-PROPELLER DE-ICE	126B
ADAPTER-OIL OUTLET	79	ARM ASSEMBLY-FLAP	100B
ADAPTER-OIL TEMPERATURE	74	ARM & BEARING-GOVERNOR CONTROL	72
ADAPTER-THROTTLE BODY	74	ARM-ALTERNATOR ADJUSTING	130
ADAPTOR-OIL TEMPERATURE	73	ARM-DOOR STOP	44
ADJUST HANDLE-BACK	57	ARM-DOOR STOP	43
ADJUSTABLE SEAT-VERTICALLY	53	ARM-ELEVATOR	12
ADJUSTING ARM-ALTERNATOR	130	ARM-ELEVATOR DOWN SPRING	97
ADJUSTING PLATE-MAIN GEAR	42	ARM-GOVERNOR CONTROL	72
ADJUSTMENT ARM-SEAT	55	ARM-RUDDER BAR	93
ADJUSTMENT HANDLE-RECLINING	53	ARM-SEAT ADJUSTMENT	55
ADJUSTMENT HANDLE-SEAT	55	ARM-SEAT ADJUSTMENT	54
ADJUSTMENT PAWL-RECLINING	55	ARM-STEERING	33
ADJUSTMENT PAWL-SEAT	53	ARMREST	55
ADJUSTMENT PIN-SEAT	55	ARMREST	53
ADJUSTMENT SPRING-SEAT	53	ARMREST	52
AFT CABIN TUNNEL-INBOARD	20	ARMREST BRACKET	20
AFT ELEVATOR SPAR	12	ASH RECEIVER	50
AFT FIREWALL COVER	16	ASH RECEIVER	58
AFT FIREWALL COVER	16A	ASH RECEIVER	58A
AFT RUDDER SPAR	10	ASH RECEIVER-SEAT BACK	53
AFT TAILCONE	29	ASH RECEIVER-SEAT BACK	52
AFT TUBE-BREATHER	73	ASH TRAY	50
AILERON	7	ASH TRAY-SEAT BACK	52
AILERON BALANCE WEIGHT	7	AUTO PILOT . SEE ELECT MANUAL	
AILERON BELLCRANK	96	AUXILIARY CABIN AIR CONTROL	58
AILERON CABLE	96	AUXILIARY CABIN AIR CONTROL	58A
AILERON CONTROL GLIDE	95	AUXILIARY CABIN AIR CONTROL	58B
AILERON CONTROL QUADRANT	95	AUXILIARY FUEL PUMP	105
AILERON CONTROL SYSTEM INSTALLATION	96	AUXILIARY FUEL PUMP & STRAINER	105
AILERON CONTROL TUBE	95	AUXILIARY HYDRAULIC PLACARD	2
AILERON INSTALLATION	7	AXLE FERRULE-NOSE GEAR	31
AILERON PULLEY	96	AXLE SPACER-NOSE GEAR	31
AILERON, RUDDER INTERCONNECT SYSTEM	101A	AXLE TUBE-NOSE GEAR	31
AILERON SKIN	7	AXLE-MAIN LANDING GEAR	36
AILERON SPAR-FORWARD	7		
AILERON SPAR-REAR	7	B	
AILERON TRIM TAB	7	BACK-SEAT	52
AIR BOX INSTALLATION-IN	7	BAFFLE FASTENER	85
AIR DUCT FORWARD BAFFLE	8	BAFFLE-AIR DUCT FORWARD	78
AIR FILTER	75	BAFFLE-HORIZONTAL AFT	86
AIR FILTER	77	BAFFLE-HORIZONTAL CENTER	86
AIR FILTER FELT	75	BAFFLE-HORIZONTAL FORWARD	86
AIR FILTER-INTAKE	76	BAFFLE-INTER CYLINDER	85
AIR INLET	73	BAFFLE-OIL COOLER	73
AIR INLET INSTALLATION-TURBOCHARGER	78	BAFFLE-OIL COOLER	85
AIR INLET-HEATER & DEFROSTER	90		
AIR PUMP VALVE	110		
AIR SPEED INDICATOR	58		

ALPHABETICAL INDEX

NOMENCLATURE	FIGURE	NOMENCLATURE	FIGURE
B (cont)		B (cont)	
BAFFLE-OIL COOLER	86	BLADE-PROPELLER	67
BAFFLE-REAR CYLINDER	86	BLADE-PROPELLER	68
BAFFLES INSTALLATION-ENGINE	73	BLANKET-REAR INSULATION EXHAUST	74
BAFFLES INSTALLATION-ENGINE	85	BLOCK-CONTROL COLUMN BEARING	95
BAFFLES INSTALLATION-ENGINE	86	BLOCK-ELEVATOR TAB STOP	98
BAG-SOUNDPROOFING	51	BLOCK-EYEBOLT MOUNTING	62
BAG-SOUNDPROOFING	51A	BOARD-DIODE	128
BAGGAGE COMPARTMENT SOUNDPROOFING	51	BODY-MASTER CYLINDER	94
BAGGAGE COMPARTMENT SOUNDPROOFING-SIDE	51A	BODY-POWERPACK	112
BAGGAGE DOOR	46	BODY-PROPELLER GOVERNOR	81
BAGGAGE DOOR LATCH	46	BODY-ROTARY ACTUATOR	121
BAGGAGE DOOR LATCH COVER	49	BOLT GUIDE-LATCH	45
BAGGAGE DOOR LOCK	46	BOOT ABRASION-STABILIZER	11
BAGGAGE DOOR LOWER HINGE	46	BOOT DE-ICE	126A
BAGGAGE DOOR PANEL	49	BOOT RETAINER-STEERING	32
BAGGAGE DOOR SCUFF PLATE	49	BOOT-STEERING LINK ROD	32
BAGGAGE DOOR SILL	24	BOX INSTALLATION-INDUCTION AIR	73
BAGGAGE DOOR UPPER HINGE	46	BOX-BATTERY	25
BAGGAGE DOOR WINDLACE	49	BOX-GLOVE	61
BAGGAGE DOOR WINDOW-INNER	46	BRACKET-ARMREST	20
BAGGAGE DOOR WINDOW-OUTER	46	BRACKET-BRAKE CYLINDER	93
BAGGAGE FLOOR SUPPORT	20	BRACKET-COURTESY LIGHT	24
BAGGAGE FLOORBOARD	23	BRACKET-COWL FLAP CONTROL	25
BAGGAGE PLACARD	2	BRACKET-DOOR PULL	44
BAGGAGE SHELF	24	BRACKET-ELEVATOR BELLCRANK	29
BALANCE WEIGHT-AILERON	7	BRACKET-ELEVATOR TRIM PULLEY	17
BALANCE WEIGHT-ELEVATOR	12	BRACKET-FUEL RESERVOIR	16
BAR-DOOR HANDLE PULL	45	BRACKET-FUEL RESERVOIR	16A
BARREL & VALVE BODY-LOCK CYLINDER	126	BRACKET-LEVER POSITION	87
BARREL-SHIMMY DAMPENER	35	BRACKET-NOSE GEAR UPLOCK	40
BARREL-SHOCK STRUT	33	BRACKET-PARKING BRAKE	15
BASE-GLOVE BOX PLACARD	61	BRACKET-TORQUE TUBE SUPPORT	15
BASE-PROPELLER GOVERNOR	81	BRACKET-TRIM TAB ACTUATOR MOUNTING	11
BATTERY BOX	25	BRAKE CYLINDER	37
BATTERY BOX COVER-FRONT	25	BRAKE CYLINDER BRACKET	93
BATTERY BOX POLARITY PLACARD	2	BRAKE CYLINDER SUPPORT	16
BATTERY BOX SIDE PANEL-OUTBOARD	25	BRAKE HOSE	92
BATTERY BOX SUPPORT	25	BRAKE LINE	92
BATTERY BOX TOP COVER	25	BRAKE SYSTEM INSTALLATION	92
BATTERY BOX TRAY	25	BRAKE-DISC	37
BATTERY CABLE	128	BRAKE-PARKING	92
BATTERY CONTACTOR	128	BREAKER	SEE CIRCUIT BREAKER
BATTERY DRAIN LINE	128	BREATHER AFT TUBE	73
BATTERY GROUND CABLE	128	BREATHER TUBE-AFT	74
BEACON LIGHT FLASHER	132	BREATHER TUBE-FORWARD	74
BEACON LIGHT-FLASHING	132	BROW-LIGHT FITTING ASSEMBLY	129C
BEACON SWITCH-FLASHING	132	BULB	ALSO SEE LIGHT
BEARING BLOCK-CONTROL COLUMN	95	BULK ITEMS	1
BEARING CONE-NOSE WHEEL	34	BULKHEAD ASSEMBLY STA. 98.00	20
BEARING HALF-INBOARD CONTROL PEDAL	93	BULKHEAD-CENTER-STA. 44.00	21
BEARING HALF-OUTBOARD CONTROL PEDAL	93	BULKHEAD-HORIZONTAL TAIL	29
BEARING-ACTUATOR TRIM	99	BULKHEAD-KEEL	16
BELLCRANK AND HOOK ASSEMBLY-NOSE GEAR UPLOCK	40A	BULKHEAD-KEEL	16A
BELLCRANK BRACKET-ELEVATOR	29	BULKHEAD-MAIN GEAR ACTUATOR	21
BELLCRANK DUAL CONTROLS	93	BULKHEAD-MAIN GEAR LONGITUDINAL	22
BELLCRANK-AILERON	96	BULKHEAD-PROPELLER SPINNER	65
BELLCRANK-ELEVATOR CONTROL	97	BULKHEAD-STA. 112.00	24
BELLCRANK-FLAP	100	BULKHEAD-STA. 138.00	28
BELLCRANK-FLAP	100A	BULKHEAD-STA. 152.20	28
BELLCRANK-RUDDER	10	BULKHEAD-STA. 166.40	28
BELLCRANK-RUDDER	102	BULKHEAD-STA. 180.60	28
BELLCRANK-SPRING DOOR ACTUATOR	39	BULKHEAD-STA. 194.80	28
BELT-ALTERNATOR DRIVE	73	BULKHEAD-STA. 44.00	21
BELT-ALTERNATOR DRIVE	74	BULKHEAD-STA. 90.00	24
BELT-CARGO TIE DOWN	49	BULKHEAD-TAILCONE STA. 209.00	29
BELT-SEAT	55	BULKHEAD-TAILCONE-STA. 209.00	29
BELT-SEAT	56	BULKHEAD-TAILCONE-STA. 230.187	29
BELT-SEAT	57	BUMPER-COWL FLAP	16
BELT-SEAT	53	BUMPER-COWL FLAP	16A
BELT-SEAT	52	BUNGEE-NOSE GEAR STEERING	32
BEVERAGE TWIN PACK	49	BUNGEE-RUDDER	102

ALPHABETICAL INDEX

NOMENCLATURE	FIGURE	NOMENCLATURE	FIGURE
B (cont)		C (cont)	
BUS BAR STRAP	128	CAP & CHAIN-OXYGEN	127
BY-PASS ADAPTOR-EXHAUST	84	CAP & CHAIN-OXYGEN	127A
C		CAP & PRISM-PANEL LIGHT	60
CABIN AIR CONTROL	58	CAP & PRISM-PANEL LIGHT	60A
CABIN AIR CONTROL	58A	CAP & PRISM-PANEL LIGHT	60B
CABIN AIR CONTROL	58B	CAP-FIN TIP	9
CABIN AIR CONTROL	89	CAP-FUEL FILLER	5
CABIN AIR CONTROL-AUXILIARY	58	CAP-RUDDER TIP	10
CABIN AIR CONTROL-AUXILIARY	58A	CAP-WING SPAR	6
CABIN AIR CONTROL-AUXILIARY	58B	CARGO TIE DOWN BELT	49
CABIN AIR VENT RETAINER	50	CARGO TIE DOWN LATCH	49
CABIN COMPONENTS-UPPER AFT	24	CARPET-FIREWALL	47
CABIN DOOR LEFT	43	CARPET-FORWARD	49
CABIN DOOR SKIN	44	CARPET-RUDDER BAR	49
CABIN DOOR SKIN	43	CARPET-TUNNEL FORWARD	49
CABIN DOOR STOP	44	CASE-OXYGEN MASKS	127
CABIN DOOR STOP	43	CASE-OXYGEN MASKS	127A
CABIN DOOR STRUCTURE LH	43	CATCH-MAGNETITE	61
CABIN DOOR STRUCTURE RH	44	CATCH-MAGNETIC	78
CABIN DOOR UPHOLSTERY INSTALLATION	48	CATCH-PARKING BRAKE	92
CABIN DOOR WEDGE	44	CEMENTS	1
CABIN DOOR WEDGE	43	CENTER PLATE-PEDESTAL	19
CABIN DOOR WEDGE	17	CENTER SECTION WING SPAR	14
CABIN DOOR-RIGHT	44	CENTER UPPER STACK	83
CABIN HEADLINER	47	CHAIN & CAP-OXYGEN	127
CABIN HEAT CONTROL	58	CHAIN & CAP-OXYGEN	127A
CABIN HEAT CONTROL	58A	CHAIN GUARD-PEDESTAL	19
CABIN HEAT CONTROL	58B	CHAIN-ELEVATOR TAB	98
CABIN HEAT CONTROL	90	CHAIN-ELEVATOR TAB	98
CABIN HEAT CONTROL	91	CHAIN-FUEL CAP	5
CABIN HEATER VALVE	91	CHANNEL-ENGINE MOUNT AFT	16
CABIN HEATER VALVE	90	CHANNEL-ENGINE MOUNT AFT	16A
CABIN HEATER VALVE BODY	90	CHANNEL-ENGINE MOUNT FORWARD	16
CABIN HEATER VALVE BODY	91	CHANNEL-ENGINE MOUNT FORWARD	16A
CABIN SECTION STRUCTURE-LOWER	20	CHECK VALVE-TURBOCHARGER	79
CABIN SIDE PANELS UPHOLSTERY INST	50	CHECK VALVE-FUEL	104
CABIN SOUNDPROOFING INSTALLATION	51	CHECKLIST PLACARD	2
CABIN SOUNDPROOFING INSTALLATION	51A	CHILD SEAT STRUCTURE	20
CABIN SOUNDPROOFING-AFT SIDE	51	CHILD SEAT SUPPORT	23
CABIN SOUNDPROOFING-AFT SIDE	51A	CHILDS SEAT BACK	56
CABIN TOP	14	CHILDS SEAT BOTTOM	56
CABIN TOP SOUNDPROOFING-AFT	47	CHILDS SEAT INSTALLATION	56
CABIN TOP SOUNDPROOFING-FORWARD	47	CHILDS SEAT PLACARD	56
CABIN TOP-REAR WINDOW & FW UPHCL	47	CIGAR LIGHTER	58
CABIN TUNNEL-INBOARD AFT	20	CIGAR LIGHTER	58A
CABIN VENTILATION SYSTEM	89	CIGAR LIGHTER	58B
CABINET-AFT CONSOLE	49	CIGAR LIGHTER CIRCUIT BREAKER	58
CABINET-FOOD & BEVERAGE	49	CIGAR LIGHTER CIRCUIT BREAKER	58A
CABLE & TUBE ASSEMBLY-PARKING BRAKE	92	CIGAR LIGHTER CIRCUIT BREAKER	58B
CABLE LINK-ELEVATOR	97	CIGAR LIGHTER KNOB	58
CABLE-AILERON	96	CIGAR LIGHTER KNOB	58A
CABLE-BATTERY	128	CIGAR LIGHTER KNOB	58B
CABLE-BATTERY GROUND	128	CIRCUIT BREAKER SEE SPECIFIC SYS	
CABLES-ELECTRICAL	128	CIRCUIT BREAKERS	59
CABLE-ELEVATOR	97	CIRCUIT BREAKERS	59A
CABLE-ELEVATOR TRIM	98	CIRCUIT BREAKERS	59B
CABLE-FLAP	100	CLIMB FUEL FLOW PLACARD	2
CABLE-FLAP	100A	CLIMB FUEL FLOW PLACARD	58
CABLE-PARKING BRAKE	92	CLIMB FUEL FLOW PLACARD	58A
CABLE-RUDDER	101	CLIP-DOOR HANDLE	44
CALL LETTER RETAINER	58	CLIP-DOOR HANDLE	43
CALL LETTER RETAINER	58A	CLIP-FIREWALL UPHOLSTERY	25
CALL LETTER RETAINER	58B	CLIP-UPHOLSTERY	24
CAM-DOOR LOCK	43	CLIP-UPHOLSTERY	18
CAM-SEAT BACK	55	CLOCK FUSE	128
CAM-SEAT BACK	53	CLOCK-ELECTRIC	58
CAM-SEAT BACK	52	CLOCK-ELECTRIC	58A
		CLOCK-ELECTRIC	58B
		CLUTCH ASSEMBLY-ELECTRIC TRIM	98A
		CLUTCH COVER ASSEMBLY	98A
		CLUTCH-DOOR	18

ALPHABETICAL INDEX

NOMENCLATURE	FIGURE	NOMENCLATURE	FIGURE
C (cont)		C (cont)	
CO-PILOT PEDALS CONTROL-STOWABLE	58	CONTROL-STRAINER DRAIN	106
CO-PILOT PEDALS CONTROL-STOWABLE	58A	CONTROL-THROTTLE	58
CO-PILOT PEDALS CONTROL-STOWABLE	58B	CONTROL-THROTTLE	58A
COAT HANGER HOOK	47	CONTROL-THROTTLE	58B
COLD AIR INLET	89	CONTROL-THROTTLE	71
COLD AIR INLET	15	CONTROL-THROTTLE	72
COLD AIR INLET DOOR	15	CONTROL VALVE-DE-ICE	126A
COLD AIR INLET SCREEN	89	COOLER-ENGINE OIL	73
COLLAR-ELEVATOR TRIM ACTUATOR	99	CORD-GLIDER RELEASE	62
COLLAR-SHOCK STRUT	33	CORE-MUFFLER	83
COLLECTOR-EXHAUST	83	COUPLER-COMPRESSOR DUCT	72
COMPASS & OUTSIDE AIR TEMPERATURE	64	COUPLING-MAGNETO DRIVE	75
COMPASS CORRECTION PLACARD	64	COUPLING-MAGNETO DRIVE	76
COMPRESSOR DUCT COUPLER	72	COURTESY LIGHT BRACKET	24
CONE-NOSE WHEEL BEARING	34	COURTESY LIGHT INSTALLATION	131
CONNECTOR-PITOT TUBE	103	COURTESY LIGHT SHIELD	131
CONSOLE LIGHTS SWITCH	59	COURTESY LIGHT SOCKET	131
CONSOLE LIGHTS SWITCH	59A	COVER-AFT FIREWALL	16
CONSOLE LIGHTS SWITCH	59B	COVER-AFT FIREWALL	16A
CONSOLE ASSEMBLY-FRONT	129B	COVER ASSEMBLY-CLUTCH	98A
CONTACTOR-BATTERY	128	COVER ASSEMBLY-MOTOR	98A
CONTINENTAL ENGINE	73	COVER-BAGGAGE DOOR LATCH	49
CONTINENTAL ENGINE	71	COVER-BATTERY BOX FRONT	25
CONTROL ARM RACE-GOVERNOR	72	COVER-BATTERY BOX TOP	25
CONTROL COLUMN INSTALLATION	95	COVER-CENTER PANEL INSTRUMENT	58
CONTROL COVER-CABLES	23	COVER-CENTER PANEL INSTRUMENT	58A
CONTROL GUIDE-ELEVATOR	15	COVER-CENTER PANEL INSTRUMENT	58B
CONTROL KNOB-STRAINER	59	COVER-CONTROL CABLES	23
CONTROL LOCK	62	COVER-COWL DECK	47
CONTROL WHEEL	95	COVER-DECK	47
CONTROL WHEEL EMBLEM	2	COVER-DISENGAGING RUDDER PEDALS	93
CONTROL WHEEL INTERCONNECT	95	COVER-ENGINE MOUNT	16
CONTROL-AIR INDUCTION	58	COVER-ENGINE MOUNT	16A
CONTROL-AIR INDUCTION	58A	COVER-FRONT DOOR POST	134
CONTROL-AIR INDUCTION	58B	COVER-HEADREST	57
CONTROL-AUXILIARY CABIN AIR	58	COVER-INSPECTION FLAP	8
CONTROL-AUXILIARY CABIN AIR	58A	COVER-INSTRUMENT PANEL BROW	129C
CONTROL-AUXILIARY CABIN AIR	58B	COVER-INSTRUMENT SWITCH PANEL	58
CONTROL-CABIN AIR	58	COVER-INSTRUMENT SWITCH PANEL	58A
CONTROL-CABIN AIR	58A	COVER-INSTRUMENT SWITCH PANEL	58B
CONTROL-CABIN AIR	58B	COVER-OVERHEAD CONSOLE	129B
CONTROL-CABIN AIR	89	COVER-PANEL LIGHT	129
CONTROL-CABIN HEAT	58	COVER-PANEL LIGHT	129A
CONTROL-CABIN HEAT	58A	COVER-PEDESTAL	49
CONTROL-CABIN HEAT	58B	COVER-POST LIGHTED INSTRUMENT PANEL	60
CONTROL-CABIN HEAT	90	COVER-POST LIGHTED INSTRUMENT PANEL	60A
CONTROL-CABIN HEAT	91	COVER-POST LIGHTED INSTRUMENT PANEL	60B
CONTROL-COWL FLAP	87	COVER-POST LIGHTED PEDESTAL	60
CONTROL-DEFROST	90	COVER-POST LIGHTED PEDESTAL	60A
CONTROL-DEFROST	91	COVER-POST LIGHTED PEDESTAL	60B
CONTROL-DEFROSTER	58	COVER-REAR WALL	49
CONTROL-DEFROSTER	58A	COVER-RUDDER BAR	49
CONTROL-DEFROSTER	58B	COVER-SHOCK PANEL	58
CONTROL-DISENGAGING RUDDER PEDALS	93	COVER-SHOCK PANEL	58A
CONTROL-GOVERNOR	72	COVER-SHOCK PANEL	58B
CONTROL-INDUCTION AIR	58	COVER-STATIONARY PANEL	58
CONTROL-INDUCTION AIR	58A	COVER-STATIONARY PANEL	58A
CONTROL-INDUCTION AIR	58B	COVER-STATIONARY PANEL	58B
CONTROL-MIXTURE	58	COVER-WINTERIZATION	88
CONTROL-MIXTURE	58A	COWL ATTACH STRIP	15
CONTROL-MIXTURE	58B	COWL DECK COVER	47
CONTROL-MIXTURE	72	COWL DECK SKIN	15
CONTROL-MIXTURE	71	COWL DOOR	69
CONTROL-PROPELLER	58	COWL FLAP CONTROL	87
CONTROL-PROPELLER	58A	COWL FLAP CONTROL BRACKET	25
CONTROL-PROPELLER	58B	COWL FLAP CONTROL SUPPORT BRACKET	19
CONTROL-PROPELLER	71	COWL FLAP DOOR	87
CONTROL-STOWABLE CO-PILOT PEDALS	58	COWL FLAP HINGE	16
CONTROL-STOWABLE CO-PILOT PEDALS	58A	COWL FLAP HINGE	16A
CONTROL-STOWABLE CO-PILOT PEDALS	58B	COWL FLAP HINGE	87
CONTROL-STRAINER DRAIN	59	COWL FLAP HINGE MOUNT	16

ALPHABETICAL INDEX

NOMENCLATURE	FIGURE	NOMENCLATURE	FIGURE
C (cont)		D (cont)	
COWL FLAP HINGE MOUNT	16A	DISENGAGING RUDDER PEDALS COVER	93
COWL FLAP-BUMPER	16	DOME LIGHT	128
COWL FLAP-BUMPER	16A	DOME LIGHT SWITCH	128
COWL FLAPS SYSTEM INSTALLATION	87	DOOR CLOSE LINE	117
COWL HALF	70	DOOR CLOSE LINE	117A
COWL HALF	69	DOOR CLOSE LINE	119
COWL LOWER SKIN	16	DOOR CLOSE LINE-HYDRAULIC	111
COWL LOWER SKIN	16A	DOOR CLOSE-HOSE	117
COWL SKIN	16	DOOR CLOSE-HOSE	117A
COWL SKIN	16A	DOOR CLOSED-LINE	120
COWL SKIN-UPPER	70	DOOR CLUTCH	18
COWL SKIN-UPPER	69	DOOR FILL SOUNDPROOFING	51
CUP-FUEL SAMPLER	6A	DOOR GUIDE	18
CURTAIN-ROLLER	49	DOOR HANDLE CLIP	44
CUSHION-HEADREST	52	DOOR HANDLE CLIP	43
CUSHION-REAR SEAT BACK	55	DOOR HANDLE ESCUTCHEON	44
CYLINDER & REGULATOR-OXYGEN	127	DOOR HANDLE ESCUTCHEON	43
CYLINDER & REGULATOR-OXYGEN	127A	DOOR HANDLE INSIDE	44
CYLINDER HEAD TEMPERATURE GAGE	58	DOOR HANDLE PLACARD	44
CYLINDER HEAD TEMPERATURE GAGE	58A	DOOR HANDLE PLACARD	43
CYLINDER HEAD TEMPERATURE GAGE	58B	DOOR HANDLE PLACARD	2
CYLINDER HEAD TEMP SENDING UNIT	73	DOOR HANDLE PULL BAR	45
CYLINDER HEAD TEMP SENDING UNIT	74	DOOR HANDLE SPRING	44
CYLINDER-BRAKE	37	DOOR HANDLE SPRING	43
CYLINDER-MAIN GEAR LOCK	126	DOOR HANDLE SPRING	45
		DOOR HANDLE-INSIDE	43
		DOOR HANDLE-OUTSIDE	45
		DOOR HINGE-MAIN WHEEL	20
		DOOR HINGE-SPRING WELL	20
		DOOR JAMB	17
		DOOR LATCH SUPPORT	44
DECAL SEE PLACARDS		DOOR LATCH SUPPORT-FORWARD	43
DECK COVER	47	DOOR LATCH-BAGGAGE	46
DEFLECTOR	71	DOOR LATCH-REMOVABLE	44
DEFLECTOR SHIELD-FRONT	74	DOOR LOCK	43
DEFLECTOR-DEFROST	47	DOOR LOCK CAM	43
DEFLECTOR-EXHAUST HEAT	73	DOOR LOCK-BAGGAGE	46
DEFLECTOR-OIL FILTER	109	DOOR MOULDING	48
DEFROST CONTROL	90	DOOR MOULDING EDGING	48
DEFROST CONTROL	91	DOOR OPEN HYDRAULIC LINE	111
DEFROST DEFLECTOR	47	DOOR OPEN LINE	117
DEFROST HOSE	90	DOOR OPEN LINE	117A
DEFROST NOZZLE	15	DOOR OPEN LINE-NOSE GEAR	119
DEFROST NOZZLE	90	DOOR OPEN-HOSE	117
DEFROST NOZZLE	91	DOOR OPEN-HOSE	117A
DEFROST RETAINER	47	DOOR PANEL-BAGGAGE	49
DEFROSTER CONTROL	58	DOOR POST COVER-FRONT	134
DEFROSTER CONTROL	58A	DOOR PULL BRACKET	44
DEFROSTER CONTROL	58B	DOOR PULL SUPPORT	48
DE-ICE SYSTEM INSTL WING & STABILIZER	126A	DOOR SCUFF PLATE	49
DE-ICE BOOT	126A	DOOR SILL	14
DE-ICE PROPELLER	126B	DOOR SILL-BAGGAGE	24
DILUTION SYSTEM-OIL	109	DOOR SILL-LH	21
DIODE	128	DOOR SILL-RH	21
DIODE	59	DOOR SKIN-CABIN	44
DIODE	59A	DOOR SKIN-CABIN	43
DIODE	59B	DOOR SOUNDPROOFING	51
DIODE BOARD	58	DOOR SPRING STOP	44
DIODE BOARD	58A	DOOR SPRING SUPPORT	21
DIODE BOARD	58B	DOOR STOP	20
DIODE BOARD	128	DOOR STOP ARM	44
DIP STICK-EXTENDED HANDLE	75	DOOR STOP ARM	43
DIP STICK-EXTENDED HANDLE	76	DOOR STOP HINGE	44
DIRECTIONAL GYRO	110	DOOR STOP HINGE	43
DIRECTIONAL GYRO	110A	DOOR STOP REINFORCEMENT	43
DIRECTIONAL GYRO INDICATOR	58	DOOR STOP SPRING	43
DIRECTIONAL GYRO INDICATOR	58A	DOOR STOP-CABIN	44
DIRECTIONAL GYRO INDICATOR	58B	DOOR STOP-CABIN	43
DISC BRAKE	37	DOOR STRIKER PLATE	24
DISCHARGER-STATIC	10	DOOR STRIKER SHIM	24
DISCHARGER-STATIC	12	DOOR STRUCTURE-CABIN LH	43
DISENGAGING RUDDER PEDALS CONTROL	93		

ALPHABETICAL INDEX

NOMENCLATURE	FIGURE	NOMENCLATURE	FIGURE
D (cont)		E (cont)	
DOOR STRUCTURE-CABIN RH	44	ELECTRICAL EQUIPMENT INSTALLATION	128
DOOR TRIM PANEL	48	ELEMENT KIT-OIL FILTER	109
DOOR UPHOLSTERY SUPPORT	43	ELEVATOR & RUDDER PULLEY BRACKET	17
DOOR WEDGE-CABIN	44	ELEVATOR & RUDDER TRIM SHAFT SPT	19
DOOR WEDGE-CABIN	43	ELEVATOR ARM ASSEMBLY	12
DOOR WINDOW	43	ELEVATOR BALANCE SKIN	12
DOOR WINDOW-INNER	44	ELEVATOR BALANCE WEIGHT	12
DOOR WINDOW-OUTER	44	ELEVATOR BELLCRANK BRACKET	29
DOOR-ALTERNATE AIR	78	ELEVATOR CABLE	97
DOOR-BAGGAGE	46	ELEVATOR CABLE LINK	97
DOOR-CABIN LEFT	43	ELEVATOR CONTROL BELLCRANK	97
DOOR-CABIN RIGHT	44	ELEVATOR CONTROL GUIDE	15
DOOR-COLD AIR INLET	15	ELEVATOR CONTROL SYSTEM INSTL	97
DOOR-COWL	69	ELEVATOR CONTROL TORQUE TUBE SPT	15
DOOR-COWL FLAP	87	ELEVATOR DOWN SPRING ARM	97
DOOR-GLOVE BOX	61	ELEVATOR ELECTRIC TRIM COMPONENTS INSTALLATION	98A
DOOR-MAIN GEAR SPRING WELL	39	ELEVATOR FORWARD SPAR	12
DOOR-MAIN GEAR WHEEL WELL	39	ELEVATOR HINGE ASSEMBLY	12
DOOR-NOSE GEAR AFT	38	ELEVATOR HINGE HALF	12
DOOR-NOSE GEAR AFT	38A	ELEVATOR INBOARD TRAILING EDGE	12
DOOR-NOSE GEAR FORWARD	38	ELEVATOR INSTALLATION	12
DOOR-NOSE GEAR FORWARD	38A	ELEVATOR SKIN-INBOARD	12
DOOR-OIL CHECK	69	ELEVATOR SPAR-AFT	12
DOOR-OIL FILLER ACCESS	70	ELEVATOR STOP-LOWER	29
DOOR-TAILCONE	28	ELEVATOR STOP-UPPER	29
DOORPOST	17	ELEVATOR TAB CHAIN	98
DOORPOST	18	ELEVATOR TAB CHAIN	98
DOORPOST JAMB	18	ELEVATOR TAB STOP BLOCK	98
DOORPOST SHIELD	50	ELEVATOR TIP	12
DOORPOST SOUNDPROOFING	51	ELEVATOR TRAILING EDGE	12
DOORPOST SOUNDPROOFING	51A	ELEVATOR TRAILING EDGE SKIN	12
DOWEL PIN-WING ATTACH	3	ELEVATOR TRAILING EDGE SPACER	12
DOWEL-PROPELLER HUB ALIGNMENT	65	ELEVATOR TRIM CABLE	98
DOWL-HUB ALIGNMENT	66	ELEVATOR TRIM CONTROL SYSTEM	98
DOWNLOCK-MAIN GEAR	42	ELEVATOR TRIM IDLER SPROCKET	98
DRAIN LINE-BATTERY	128	ELEVATOR TRIM INDICATOR	98
DRIVE ASSEMBLY-ELECTRIC TRIM	98A	ELEVATOR TRIM PULLEY BRACKET	17
DRIVE BELT-ALTERNATOR	73	ELEVATOR TRIM SOCKET SUPPORT	19
DRIVE BELT-ALTERNATOR	74	ELEVATOR TRIM TAB	12
DRIVE GEAR-MAGNETO	75	ELEVATOR TRIM TAB ACTUATOR	99
DRIVE GEAR-MAGNETO	76	ELEVATOR TRIM TAB SKIN	12
DUAL CONTROLS BELLCRANK	93	ELEVATOR TRIM WHEEL	98
DUAL STALL WARNING UNIT	128	EMBLEM-CONTROL WHEEL	2
DUCT-COMPRESSOR TO THROTTLE BODY	72	EMERGENCY HAND PUMP INSTALLATION	115
DUCT-HEATER	15	EMERGENCY PUMP SOLENOID	115
DUCT-HEATER	90	ENGINE ASSEMBLY-CONTINENTAL	73
DUAL WARNING-STALL & GEAR DOWN UNIT	61	ENGINE ASSEMBLY-TURBOCHARGED	74
E		ENGINE BAFFLES INSTALLATION	85
ECONOMY POWER INDICATOR PROBE	73	ENGINE BAFFLES INSTALLATION	86
ECONOMY POWER INDICATOR PROBE	74	ENG COMP & ACCESS-TS10-520C ENG	76
EDGING-DOOR MOULDING	48	ENG COMP & ACCESS-IO520A ENG	75
EDGING-REAR WINDOW	50	ENGINE INSTALLATION	71
EDGING-REAR WINDOW LOWER	47	ENGINE INSTALLATION-TURBOCHARGED	72
EDGING-REAR WINDOW UPPER	47	ENGINE MOUNT AFT CHANNEL	16
EDGING-SIDE WINDOW	50	ENGINE MOUNT BRACKET	16
ELECTRIC CLOCK	58	ENGINE MOUNT BRACKET	16A
ELECTRIC CLOCK	58A	ENGINE MOUNT COVER	16
ELECTRIC CLOCK	58B	ENGINE MOUNT COVER	16A
ELECTRIC FLAP SYSTEM INSTALLATION	100	ENGINE MOUNT FORWARD CHANNEL	16
ELECTRIC FLAP SYSTEM INSTALLATION	100A	ENGINE MOUNT FORWARD CHANNEL	16A
ELECTRIC TRIM COMPONENTS INSTALLATION-ELEVATOR	98A	ENGINE MOUNT-FORWARD	16
ELECTRIC TRIM DRIVE ASSY	98A	ENGINE MOUNT-FORWARD	16A
ELECTRIC TRIM HOUSING ASSY	98A	ENGINE MOUNT-REAR	16
ELECTRIC TRIM MOTOR ASSY	98A	ENGINE MOUNT-REAR	16A
ELECTRIC TRIM MOTOR	98A	ENGINE MOUNT SUPPORT LOWER	16A
ELECTRIC TRIM CLUTCH ASSEMBLY	98A	ENGINE OIL COOLER	73
ELECTRIC TRIM SUPPORT ASSEMBLY	98A	ENGINE OIL PLACARD	2
		ENGINE PRIMER SYSTEM	108
		ENGINE PUMP LINE ASSEMBLY	73
		ENGINE SHOCK MOUNT-KIT	72
		ENGINE-CONTINENTAL	73

ALPHABETICAL INDEX

NOMENCLATURE	FIGURE	NOMENCLATURE	FIGURE
E (cont)		F (cont)	
EQUIPMENT INSTALLATION-ELECTRICAL	128	FIREWALL GROMMETS INSTALLATION	26
EQUIPMENT INSTALLATION-FUSELAGE	62	FIREWALL INSTALLATION	25
ESCUTCHEON	49	FIREWALL UPHOLSTERY CLIP	25
ESCUTCHEON-DOOR HANDLE	44	FIREWALL-LOWER	16
ESCUTCHEON-DOOR HANDLE	43	FIREWALL-LOWER	16A
ESCUTCHEON-OXYGEN VALVE OUTLET	127	FIREWALL-LOWER	25
ESCUTCHEON-OXYGEN VALVE OUTLET	127A	FIREWALL-UPPER	25
EXHAUST BY-PASS ADAPTOR	84	FITTING-FIN ATTACH	9
EXHAUST BY-PASS VALVE	80	FITTING-FIN ATTACH	9A
EXHAUST COLLECTOR	83	FITTING-NOSE GEAR	16
EXHAUST HEAT DEFLECTOR	73	FITTING-NOSE GEAR	16A
EXHAUST MUFFLER	83	FITTING-NOSE GEAR DRAG	16
EXHAUST SHROUD-INBOARD	84	FITTING-NOSE GEAR DRAG	16A
EXHAUST SHROUD-OUTBOARD	84	FITTING-SEAT BELT	53
EXHAUST STACK	84	FITTING-SEAT BELT	52
EXHAUST STACK	73	FITTING-STABILIZER	11
EXHAUST STACK ASSEMBLY	83	FITTING-WING SPAR	6
EXHAUST STACK TAILPIPE	83	FLAP ACTUATOR	100
EXHAUST SYSTEM COMPONENTS	84	FLAP ACTUATOR	100A
EXHAUST SYSTEM RISER	84	FLAP ARM ASSEMBLY	100B
EXHAUST SYSTEM TAILPIPE	84	FLAP BELLCRANK	100
EXHAUST VALVE & CONTROLLER INSTL	80	FLAP BELLCRANK	100A
EXHAUST-TAILPIPE	80	FLAP CONTROL DETAIL INSTALLATION	100B
EYEBOLT MOUNTING BLOCK	62	FLAP FORWARD SPAR	8
EYEBOLT-HOISTING	62	FLAP HINGE MOUNT-COWL	16
		FLAP HINGE MOUNT-COWL	16A
		FLAP INSTALLATION	8
		FLAP LEVER ASSEMBLY	100B
		FLAP POSITION INDICATOR	58
		FLAP POSITION TRANSMITTER	100
		FLAP POSITION TRANSMITTER	100A
		FLAP PUSH ROD	100
		FLAP PUSH ROD	100A
		FLAP REAR SPAR	8
		FLAP SKIN	8
		FLAP SWITCH	58
		FLAP SWITCH KNOB	58
		FLAP TRANSMISSION-SHORT STROKE	100
		FLAP TRANSMISSION-SHORT STROKE	100A
		FLAP-CABLE	100
		FLAP-CABLE	100A
		FLAP-WING	8
		FLASHER-BEACON LIGHT	132
		FLASHING BEACON CIRCUIT BREAKER	132
		FLASHING BEACON FIN TIP	132
		FLASHING BEACON INSTALLATION	132
		FLASHING BEACON SWITCH	132
		FLOOR PANEL-OUTBOARD	23
		FLOOR PANEL-OUTBOARD	20
		FLOORBOARD & BAGGAGE COMPT UPHOL	49
		FLOORBOARD INSTALLATION	23
		FLOORBOARD-BAGGAGE	23
		FLOORBOARD-CENTER SECTION	23
		FLOORBOARD-FORWARD CENTER	23
		FLOORBOARD-FORWARD SECTION	23
		FLOORBOARDS-AFT SECTION	23
		FLUSH VALVE-FUEL	5
		FOOD & BEVERAGE CABINET	49
		FOOTREST	52
		FORK-NOSE GEAR REPLACEMENT KIT	33
		FORWARD CHANNEL-ENGINE MOUNT	16
		FORWARD CHANNEL-ENGINE MOUNT	16A
		FORWARD ENGINE MOUNT	16
		FORWARD ENGINE MOUNT	16A
		FORWARD FUSELAGE SKIN	16
		FORWARD FUSELAGE SKIN	16A
		FORWARD FUSELAGE STRUCTURE ASSEMBLY	15
		FORWARD RUDDER SPAR	10
		FORWARD SHOCK MOUNT	71
		FRAME-DOOR WINDOW	43
		FRAME-HEADREST	52
F			
FAIRING-DORSAL FIN	9		
FAIRING-DORSAL FIN	9A		
FAIRING-DORSAL TO FUSELAGE	9		
FAIRING-DORSAL TO FUSELAGE	9A		
FAIRING-STABILIZER	11		
FAIRING-WING	3		
FAIRLEAD HALF-RUDDER CABLE	101		
FASTENER-BAFFLE	85		
FELT-AIR FILTER	75		
FERRULE-NOSE GEAR AXLE	31		
FILLET-WING	13		
FILTER ELEMENT KIT-OIL	109		
FILTER-AIR	75		
FILTER-AIR	77		
FILTER-AIR INTAKE	76		
FILTER-FUEL STRAINER	106		
FILTER-NOISE	128		
FILTER-OIL	109		
FILTER-POWERPACK	111		
FILTER-POWERPACK	113		
FILTER-VACUUM	110		
FILTER-VACUUM	110A		
FIN & DORSAL INSTALLATION	9		
FIN & DORSAL INSTALLATION	9A		
FIN AFT SPAR	9		
FIN AFT SPAR	9A		
FIN ATTACH FITTING	9		
FIN ATTACH FITTING	9A		
FIN FORWARD SPAR	9		
FIN FORWARD SPAR	9A		
FIN TIP CAP	9		
FIN TIP CAP	9A		
FIN TIP-FLASHING BEACON	132		
FINISH & TRIM PLATE	2		
FINISH & TRIM PLATE	2		
FINISH AND TRIM PLATE	13		
FIRE EXTINGUISHER KIT	62		
FIRE SLEEVE	80		
FIREWALL CARPET	47		
FIREWALL COVER-AFT	16		
FIREWALL COVER-AFT	16A		

ALPHABETICAL INDEX

NOMENCLATURE	FIGURE	NOMENCLATURE	FIGURE
F (cont)		G (cont)	
FRESH AIR SILENCER	89	GAGE-OIL PRESSURE	58
FRONT AND CENTER SECTION ASSEMBLY	14	GAGE-OIL PRESSURE	58A
FRONT DOOR POST COVER	134	GAGE-OIL PRESSURE	58B
FRONT DOORPOST & BULKHEAD ASSEMBLY	17	GAGE-OIL PRESSURE	109
FRONT DOORPOST SPAR	17	GAGE-OIL TEMPERATURE	58
FRONT SPAR-STABILIZER	11	GAGE-OIL TEMPERATURE	58A
FUEL CAP	5	GAGE-OIL TEMPERATURE	58B
FUEL CAP CHAIN	5	GAGE-OIL TEMPERATURE	109
FUEL CELL STRAINER	5	GAGE-OUTSIDE AIR TEMPERATURE	64
FUEL CELL COMPONENTS INSTALLATION	5A	GAGE-OXYGEN PRESSURE	127
FUEL CHECK VALVE	104	GAGE-OXYGEN PRESSURE	127A
FUEL CHECK VALVE	104A	GAGE-SUCTION	58
FUEL FILLER ADAPTER	5	GAGE-SUCTION	58A
FUEL FILLER CAP	5	GAGE-SUCTION	58B
FUEL FLOW & MANIFOLD PRESSURE IND	58	GAGE-SUCTION	110
FUEL FLOW & MANIFOLD PRESSURE INDICATOR-DUAL	58A	GAGE-SUCTION	110A
FUEL FLOW & MANIFOLD PRESSURE INDICATOR-DUAL	58B	GAS CAP	5
FUEL GAGE	58	GAS GAGE	58
FUEL GAGE	58A	GAS GAGE	58A
FUEL GAGE	58B	GAS GAGE	58B
FUEL PRESSURE LINE	72	GAS GAGE	SEE FUEL GAGE
FUEL PRESSURE LINE	74	GAS LINES	SEE FUEL LINES
FUEL PRESSURE LINE	71	GASKET ADHESIVE	1
FUEL PUMP SWITCH	59	GASKET-FLOORBOARD INSPECTION PLATE	23
FUEL PUMP SWITCH	59A	GEAR DOWN LINE	111
FUEL PUMP-AUXILIARY	105	GEAR DOWN LINE	119
FUEL RESERVOIR	104	GEAR DOWN LINE	120
FUEL RESERVOIR	104A	GEAR OPERATING LINES	SEE LINES
FUEL RESERVOIR BRACKET	16	GEAR SWITCHES-LANDING	133
FUEL RESERVOIR BRACKET	16A	GEAR UP LINE	111
FUEL RESERVOIR PLUG	104	GEAR UP LINE	119
FUEL SAMPLER CUP	6A	GEAR-GOVERNOR BEVEL DRIVE	75
FUEL SELECTOR HANDLE	107	GEAR-GOVERNOR BEVEL DRIVE	76
FUEL SELECTOR HANDLE	107A	GEAR-MAGNETO DRIVE	75
FUEL SELECTOR SHAFT	107	GEAR-MAGNETO DRIVE	76
FUEL SELECTOR SHAFT	107A	GLIDE-AILERON CONTROL	95
FUEL SELECTOR VALVE	107	GLIDER RELEASE CORD	62
FUEL SELECTOR VALVE	107A	GLIDER TOW HOOK	62
FUEL SELECTOR VALVE INSTALLATION	107	GLOVE BOX DOOR	61
FUEL SELECTOR VALVE INSTALLATION	107A	GLOVE BOX INSTALLATION	61
FUEL SELECTOR VALVE PLACARD	2	GLOVE BOX PLACARD BASE	61
FUEL STRAINER	106	GOVERNOR BASE-PROPELLER	81
FUEL STRAINER & DRAIN INSTALLATION	106	GOVERNOR BEVEL DRIVE GEAR	75
FUEL STRAINER FILTER	106	GOVERNOR BEVEL DRIVE GEAR	76
FUEL STRAINER PLUNGER	106	GOVERNOR BODY-PROPELLER	81
FUEL STRAINER TOP	106	GOVERNOR CONTROL	72
FUEL SYSTEM INSTALLATION	104	GOVERNOR CONTROL ARM	72
FUEL SYSTEM INSTALLATION	104A	GOVERNOR CONTROL ARM & BEARING	72
FUEL TRANSMITTER-WING	3	GOVERNOR-PROPELLER	73
FUEL VENT	5	GOVERNOR-PROPELLER	81
FUEL VENT VALVE	3	GOVERNOR-PROPELLER	82
FULL FLOW OIL FILTER	109	GROUND CABLE-BATTERY	128
FUSE-CLOCK	128	GROUND SERVICE PLUG PLACARD	2
FUSEHOLDER	128	GROUND SERVICE PLUG RECEPTACLE	128
FUSELAGE ASSEMBLY	13	GROUND STRAP	72
FUSELAGE BELLY SECTION	21	GROUND STRAP	71
FUSELAGE EQUIPMENT INSTALLATION	62	GUIDE-DOOR	18
FUSELAGE SKIN-FORWARD	16	GUIDE-ELEVATOR CONTROL	15
FUSELAGE SKIN-FORWARD	16A	GUIDE-LATCH BOLT	45
		GYRO-DIRECTIONAL	110
		GYRO-DIRECTIONAL	110A
		GYRO-HORIZON	110
		GYRO-HORIZON	110A
		H	
		HAND OF FRIENDSHIP PLACARD	2
		HAND PUMP-POWERPACK EMERGENCY	115
		HANDLE-BACK ADJUST	57
GAGE	ALSO SEE INDICATOR		
GAGE-CYLINDER HEAD TEMPERATURE	58		
GAGE-CYLINDER HEAD TEMPERATURE	58A		
GAGE-CYLINDER HEAD TEMPERATURE	58B		
GAGE-FUEL	58		
GAGE-FUEL	58A		
GAGE-FUEL	58B		

Courtesy of Bomar Flying Service
G www.bomar.biz

ALPHABETICAL INDEX

NOMENCLATURE	FIGURE	NOMENCLATURE	FIGURE
H (cont)		H (cont)	
HANDLE-DOOR INSIDE	44	HORIZON GYRO	110
HANDLE-DOOR INSIDE	43	HORIZON GYRO	110A
HANDLE-DOOR OUTSIDE	45	HORIZONTAL GYRO INDICATOR	58
HANDLE-FUEL SELECTOR	107	HORIZONTAL GYRO INDICATOR	58A
HANDLE-FUEL SELECTOR	107A	HORIZONTAL GYRO INDICATOR	58B
HANDLE-PARKING BRAKE	92	HORIZONTAL TAIL BULKHEAD	29
HANDLE-RECLINING ADJUSTMENT	53	HOSE-BRAKE	92
HANDLE-RECLINING ADJUSTMENT	52	HOSE-DEFROST	90
HANDLE-SEAT ADJUSTMENT	55	HOSE-DOOR CLOSE HYDRAULIC	117
HANDLE-SEAT ADJUSTMENT	52	HOSE-DOOR CLOSE HYDRAULIC	117A
HANDLE-SEAT POSITIONING	57	HOSE-DOOR OPEN HYDRAULIC	117
HANDLE-VERTICAL ADJUSTMENT	54	HOSE-DOOR OPEN HYDRAULIC	117A
HANDLE-WINDOW LATCH	43	HOSE-FIREWALL TO GAGE	72
HANGER HOOK-COAT	47	HOSE-OIL PRESSURE	73
HARNES HOOK-SHOULDER	62	HOSE-OIL PRESSURE	109
HARNES-IGNITION	75	HOSE-OIL PRESSURE	79
HARNES-IGNITION	76	HOSE-POWERPACK PRESSURE PUMP	111
HARNES-SHOULDER	62	HOUSING ASSEMBLY-ELECTRIC TRIM	98A
HEADLINER BOW TUBE	47	HOUSING-SEAT ROLLER	55
HEADLINER RETAINER	128	HOW TO ORDER PAINTED PARTS PAGE VI	
HEADLINER WIRE	47	HOW TO ORDER PARTS PAGE II	
HEADLINER ZIPPER	47	HOW TO ORDER UPHOL PARTS PAGE VII	
HEADLINER-CABIN	47	HOW TO READ TRIM PLATE PAGE III	
HEADREST	55	HOW TO USE PARTS CATALOG PAGE I	
HEADREST	57	HUB ALIGNMENT DOWEL-PROPELLER	65
HEADREST	53	HUB ALIGNMENT DOWL	66
HEADREST COVER	57	HUB CAP-MAIN LANDING GEAR	36
HEADREST CUSHION	52	HUB CAP-NOSE WHEEL	31
HEADREST FRAME	52	HUB-PROPELLER	68
HEADREST-HIGH BACK SEAT	52	HUB-SINGLE CONTROLS	93
HEADREST-STANDARD BACK	52	HYDRAULIC FLUID RESERVOIR PLACARD	2
HEAT CONTROL-CABIN	58	HYDRAULIC LINE DOOR CLOSE	111
HEAT CONTROL-CABIN	58A	HYDRAULIC LINE DOOR OPEN	111
HEAT CONTROL-CABIN	58B	HYDRAULIC POWER PACK INSTALLATION	111
HEAT CONTROL-CABIN	90	HYDRAULIC POWERPACK BODY	113
HEAT CONTROL-CABIN	91	HYDRAULIC POWERPACK UNIT	111
HEAT DEFLECTOR-EXHAUST	73	HYDRAULIC POWERPACK UNIT	112
HEAT SHIELD	16	HYDRAULIC PUMP	111
HEAT SHIELD	16A	HYDRAULIC PUMP	116
HEATER & DEFROSTER AIR INLET	90	HYD PUMP KIT-MAJOR SEAL REPAIR	116
HEATER & DEFROSTER INSTALLATION	90	HYDRAULIC PUMP REAR HOUSING	116
HEATER & DEFROSTER INSTALLATION	91	HYDRAULIC SYSTEM STA 44.00 TO 68.33	120
HEATER DUCT	15	HYDRAULIC SYSTEM-STA 18.00 TO 44.00	119
HEATER DUCT	90	HYDRAULIC SYSTEM-STA 68.33 TO 98.00	122
HEATER VALVE-CABIN	90		
HEATER VALVE-CABIN	91	I	
HEATING PLUG	58	IDLER SPROCKET-ELEVATOR TRIM	98
HEATING PLUG	58A	IGNITION HARNESS	75
HEATING PLUG	58B	IGNITION HARNESS	76
HEAVY DUTY STARTER	75	IGNITION SWITCH & LOCK KIT	59
HEAVY DUTY STARTER	76	IGNITION SWITCH & LOCK KIT	59A
HIGH BACK REAR SEAT BACK	57	IGNITION SWITCH & LOCK KIT	59B
HIGH BACK REAR SEAT INSTALLATION	57	INBOARD AFT CABIN TUNNEL	20
HINGE HALF-ELEVATOR	12	INBOARD ELEVATOR SKIN	12
HINGE HALF-TRIM TAB	12	INBOARD TRAILING EDGE-ELEVATOR	12
HINGE-BAGGAGE DOOR LOWER	46	INDICATOR INSTL TRUE AIRSPEED	58
HINGE-BAGGAGE DOOR UPPER	46	INDICATOR INSTALLATION-TRUE AIRSPEED	58A
HINGE-COWL FLAP	16	INDICATOR INSTALLATION-TRUE AIRSPEED	58B
HINGE-COWL FLAP	16A	INDICATOR PROBE-ECONOMY POWER	74
HINGE-COWL FLAP	87	INDICATOR-AIRSPEED	58
HINGE-DOOR STOP	44	INDICATOR-AIRSPEED	58A
HINGE-DOOR STOP	43	INDICATOR-AIRSPEED	58B
HINGE-ELEVATOR	12	INDICATOR-AIRSPEED	103
HINGE-MAIN WHEEL DOOR	20	INDICATOR-ALTIMETER	103
HINGE-SPRING WELL DOOR	20	INDICATOR-DIRECTIONAL GYRO	58
HINGE-STABILIZER	11	INDICATOR-DIRECTIONAL GYRO	58A
HOISTING EYEBOLT	62	INDICATOR-DIRECTIONAL GYRO	58B
HOOK & SUPPORT-NOSE GEAR UPLOCK	40	IND-DUEL-FUEL FLOW & MANIFOLD PRES	58
HOOK STRIP	17		
HOOK-COAT HANGER	47		
HOOK-SHOULDER HARNESS	62		

ALPHABETICAL INDEX

NOMENCLATURE	FIGURE	NOMENCLATURE	FIGURE
I (cont)		J	
INDICATOR-DUAL FUEL FLOW & MANIFOLD PRESSURE	58A	JACK PAD	62
INDICATOR-DUAL FUEL FLOW & MANIFOLD PRESSURE	58B	JACK POINT	3
INDICATOR-ELEVATOR TRIM	98	JAMB-DOORPOST	18
INDICATOR-FLAP POSITION	58	JAMB-WINDOW	43
INDICATOR-FLAP POSITION	58A		
INDICATOR-FLAP POSITION	58B	K	
INDICATOR-HORIZONTAL GYRO	58	KEEL ATTACH-TEE	16
INDICATOR-HORIZONTAL GYRO	58A	KEEL ATTACH-TEE	16A
INDICATOR-HORIZONTAL GYRO	58B	KEEL BULKHEAD	16
INDICATOR-OXYGEN FLOW	127	KEEL BULKHEAD	16A
INDICATOR-OXYGEN FLOW	127A	KIT-FIRE EXTINGUISHER	62
INDICATOR-POWER ECONOMY	58	KIT-MAJOR SEAL REPAIR-HYDR PUMP	116
INDICATOR-POWER ECONOMY	58A	KIT-NOSE GEAR FORK	33
INDICATOR-POWER ECONOMY	58B	KIT-OIL COOLER	73
INDICATOR-RUDDER TRIM	102	KIT-SEAT ROLLER	55
INDICATOR-TURN & BANK	58	KIT-SEAT ROLLER	57
INDICATOR-TURN & BANK	58A	KIT-SEAT ROLLER	54
INDICATOR-TURN & BANK	58B	KIT-SEAT ROLLER	52
INDICATOR-VERTICAL SPEED	58	KIT-SHOCK MOUNT	72
INDICATOR-VERTICAL SPEED	58A	KNOB ASSEMBLY-FLAP	100B
INDICATOR-VERTICAL SPEED	58B	KNOB-CIGAR LIGHTER	58
INDICATOR-VERTICAL SPEED	103	KNOB-CIGAR LIGHTER	58A
INDUCTION AIR BOX	77	KNOB-CIGAR LIGHTER	58B
INDUCTION AIR BOX INSTALLATION	73	KNOB-FLAP SWITCH	58
INDUCTION AIR BOX INSTALLATION	77	KNOB-FLAP SWITCH	58A
INDUCTION AIR CONTROL	58	KNOB-FLAP SWITCH	58B
INDUCTION AIR CONTROL	58A	KNOB-PRIMER	108
INDUCTION AIR CONTROL	58B	KNOB-RHEOSTAT	59
INLET DOOR-COLD AIR	15	KNOB-RHEOSTAT	59A
INLET-AIR	73	KNOB-RHEOSTAT	59B
INLET-COLD AIR	15	KNOB-STRAINER CONTROL	59
INLET-COLD AIR	89	KNOB-STRAINER CONTROL	59A
INSPECTION COVER-FLAP	8	KNOB-VALVE ASSEMBLY	96A
INSPECTION PLATE-FLOORBOARD	23		
INSPECTION PLATE-WING	3	L	
INSTRUMENT CLUSTER	58	LAMP	SEE LIGHT
INSTRUMENT CLUSTER	58A	LANDING GEAR STEP	36
INSTRUMENT CLUSTER	58B	LANDING GEAR SWITCHES INSTALLATION	133
INSTRUMENT CLUSTER LENS	58	LANDING LIGHT LENS	5
INSTRUMENT CLUSTER LENS	58A	LANDING LIGHT SWITCH	59
INSTRUMENT CLUSTER LENS	58B	LANDING LIGHT SWITCH	59A
INSTRUMENT LIGHT RHEOSTAT	59	LANDING LIGHT SWITCH	59B
INSTRUMENT LIGHT RHEOSTAT	59A	LATCH BOLT GUIDE	45
INSTRUMENT LIGHT RHEOSTAT	59B	LATCH HANDLE-WINDOW	43
INSTRUMENT PANEL BROW LIGHTS INSTALLATION	129C	LATCH PLATE-WINDOW	43
INSTRUMENT PANEL COVER-POST LIGHTED	60	LATCH SUPPORT-DOOR	44
INSTRUMENT PANEL COVER-POST LIGHTED	60A	LATCH-BAGGAGE DOOR	46
INSTRUMENT PANEL COVER-POST LIGHTED	60B	LATCH-CABIN DOOR	44
INSTRUMENT PANEL DECK SOUNDPROOFING	51	LATCH-CARGO TIE DOWN	49
INSTRUMENT PANEL DECK SOUNDPROOFING	51A	LATCH-REMOVABLE DOOR	43
INSTRUMENT PANEL EQUIPMENT INSTL	58	LEAD-POWER ECONOMY	58
INSTRUMENT PANEL EQUIPMENT INSTALLATION	58A	LEAD-POWER ECONOMY	58A
INSTRUMENT PANEL EQUIPMENT INSTALLATION	58B	LEAD-POWER ECONOMY	58B
INSTRUMENT PANEL INSTL-POST LIGHT	60	LEADING EDGE SKIN-OUTBOARD	5
INSTRUMENT PANEL INSTALLATION-POST LIGHTED	60A	LEADING EDGE-INBOARD	5
INSTRUMENT PANEL INSTALLATION-POST LIGHTED	60B	LEADING EDGE-OUTBOARD	5
INSTRUMENT PANEL LIGHT INSTALLATION	129	LEFT CABIN DOOR INSTALLATION	43
INSTRUMENT PANEL LIGHT INSTALLATION	129A	LEG-SEAT	54
INSTRUMENT PANEL LIGHT & OXYGEN CONSOLE INSTL	129B	LEG-SEAT	52
INSTRUMENT PANEL-STATIONARY	58	LEG-SEAT	55
INSTRUMENT PANEL-STATIONARY	58A	LEG-SEAT SUPPORT	20
INSTRUMENT PANEL-STATIONARY	58B	LENS-INSTRUMENT CLUSTER	58
INSTRUMENTS SEE INDIVIDUAL LISTINGS			
INSULATION BLANKET-REAR	74		
INSULATION PAD	70		
INSULATION PAD SKIN	70		
INTER CYLINDER BAFFLE	85		
INTERCONNECT-CONTROL WHEEL	95		
I0520A ENG COMPONENTS & ASSOC ACC	75		

ALPHABETICAL INDEX

NOMENCLATURE	FIGURE	NOMENCLATURE	FIGURE
L (cont)		L (cont)	
LENS-INSTRUMENT CLUSTER	58A	LINK-STEERING	33
LENS-INSTRUMENT CLUSTER	58B	LOCK CYLINDER BARREL & VALVE BODY	126
LENS-LANDING LIGHT	5	LOCK CYLINDER PISTON & ROD	126
LEVER ASSEMBLY-FLAP	100B	LOCK CYLINDER-MAIN GEAR	126
LEVER POSITION BRACKET-COWL FLAP	87	LOCK-BAGGAGE DOOR	46
LIGHT SOCKET-COURTESY	131	LOCK-CONTROL	62
LIGHT SWITCH-DOME	128	LOCK-DOOR	43
LIGHT-DOME	128	LOWER CABIN SECTION COMPONENTS	20
LIGHT-FLASHING BEACON	132	LOWER CABIN SECTION STRUCTURE	20
LIGHT FITTING ASSEMBLY-BROW	129C	LOWER FIREWALL	16
LIGHT-INSTRUMENT PANEL	129	LOWER FIREWALL	16A
LIGHT-INSTRUMENT PANEL	129A	LOWER FORWARD FUSE STRUCT ASSY	16
LIGHT-MAP	134	LOWER FORWARD FUSE STRUCT ASSY	16A
LIGHT-NAVIGATION	3	LOWER NOSE CAP	16
LIGHT-TAB MOUNT PANEL	60	LOWER NOSE CAP	16A
LIGHT-TAB MOUNT PANEL	60A	LOWER PEDESTAL PANEL	19
LIGHT-TAB MOUNT PANEL	60B	LOWER SKIN-COWL	16
LIGHT-TAIL	30	LOWER SKIN-COWL	16A
LIGHT-WING	3	LOWFR SKIN-NOSE CAP	16
LIGHTER KNOB-CIGAR	58	LOWER SKIN-NOSE CAP	16A
LIGHTER KNOB-CIGAR	58A		
LIGHTER KNOB-CIGAR	58B	M	
LIGHTER-CIGAR	58	M.A.A. NAMEPLATE	13
LIGHTER-CIGAR	58A	M.A.A. NAMEPLATE	2
LIGHTER-CIGAR	58B	MAGAZINE POCKET	53
LIGHTER-CIGAR	58	MAGAZINE POCKET	52
LIGHTER-CIGAR	58A	MAGNETITE CATCH	61
LIGHTER-CIGAR	58B	MAGNETIC CATCH	78
LIMIT SWITCH-LANDING GEAR	133	MAGNETO	75
LIMIT SWITCH-THROTTLE	128	MAGNETO	76
LIMIT SWITCH-THROTTLE	77	MAGNETO DRIVE COUPLING	75
LIMIT SWITCHES .SEE SWITCHES		MAGNETO DRIVE COUPLING	76
LINE & FITTING-PASSENGER OXYGEN	127	MAGNETO DRIVE GEAR	75
LINE & FITTING-PASSENGER OXYGEN	127A	MAGNETO DRIVE GEAR	76
LINE ASSEMBLY-ENGINE PUMP	73	MAIN GEAR ACTUATOR BULKHEAD	21
LINE-BATTERY DRAIN	128	MAIN GEAR ACTUATOR BULKHEAD	22
LINE-BRAKE	92	MAIN GEAR ADJUSTING PLATE	42
LINE-DOOR CLOSE HYDRAULIC	111	MAIN GEAR DOORS INSTALLATION	39
LINE-DOOR CLOSE HYDRAULIC	117	MAIN GEAR DOWNLOCK INSTALLATION	42
LINE-DOOR CLOSE HYDRAULIC	117A	MAIN GEAR ROTARY ACTUATOR	121
LINE-DOOR CLOSED	120	MAIN GEAR SPRING WELL DOOR	39
LINE-DOOR OPEN HYDRAULIC	117	MAIN GEAR & N.G. DOOR ACTUATORS	124
LINE-DOOR OPEN HYDRAULIC	117A	MAIN GEAR STRUT DOORS ACTUATOR	122
LINE-FUEL PRESSURE	72	MAIN GEAR UPLOCK MECHANISM INSTL	41
LINE-FUEL PRESSURE	74	MAIN GEAR UPLOCK ROD	41
LINE-FUEL PRESSURE	71	MAIN GEAR WHEEL DOOR ACTUATOR LINES	123
LINE-GEAR DOWN	111	MAIN GEAR WHEEL DOORS ACTUATOR	122
LINE-GEAR DOWN	119	MAIN GEAR WHEEL WELL DOOR	39
LINE-GEAR DOWN	120	MAIN LANDING GEAR AXLE	36
LINE-GEAR UP	111	MAIN LANDING GEAR HUB CAP	36
LINE-HYDRAULIC DOOR OPEN	111	MAIN LANDING GEAR INSTALLATION	36
LINE-MANIFOLD DRAIN	73	MAIN LANDING GEAR SADDLE	36
LINE-MANIFOLD DRAIN	74	MAIN LANDING GEAR SPRING	36
LINE-MANIFOLD PRESSURE	73	MAIN LANDING GEAR TIRE 6.00X6	37
LINE-MANIFOLD PRESSURE	72	MAIN LANDING GEAR TUBE 6.00X6	37
LINE-MANIFOLD PRESSURE	74	MAIN LANDING GEAR WHEEL	37
LINE-NG DOOR CLOSE	119	MAIN LANDING GEAR WHEEL & BRAKE	37
LINE-NG DOOR OPEN	119	MAIN SPAR-WING	6
LINE-NOSE GEAR UP	119	MAIN WHEEL DOOR HINGE	20
LINE-OIL PRESSURE	109	MANIFOLD DRAIN LINE	73
LINE-OXYGEN	127	MANIFOLD DRAIN LINE	74
LINE-OXYGEN	127A	MANIFOLD HOUSING-POWERPACK	114
LINE-OXYGEN PRESSURE	127	MANIFOLD INTAKE-PRIMER	108
LINE-OXYGEN PRESSURE	127A	MANIFOLD PRESSURE & CLIMB FUEL FLOW PLACARD	2
LINE-POWER PACK SUCTION PUMP	111	MANIFOLD PRESSURE & CLIMB FUEL FLOW PLACARD	58
LINE-POWERPACK VENT	111	MANIFOLD PRESSURE LINE	73
LINE-PUMP DRAIN	74	MANIFOLD PRESSURE LINE	72
LINE-STRAINER DRAIN	106	MANIFOLD PRESSURE LINE	74
LINE-VACUUM .SEE SYSTEM			
LINES-GAS .SEE SYSTEM			
LINES-MAIN GEAR WHEEL DOOR ACTUATOR	123		
LINK-ELEVATOR CABLE	97		
LINK-SHOCK STRUT TORQUE LOWER	33		
LINK-SHOCK STRUT TORQUE UPPER	33		

ALPHABETICAL INDEX

NOMENCLATURE	FIGURE	NOMENCLATURE	FIGURE
M (cont)		N (cont)	
MAP COMPARTMENT	58	NOSE GEAR DOOR AFT	38A
MAP COMPARTMENT	58A	NOSE GEAR DOOR-FORWARD	38
MAP COMPARTMENT	58B	NOSE GEAR DOOR-FORWARD	38A
MAP LIGHT INSTALLATION	134	N.G. DOORS & M.G. STRUT DOORS ACTR	124
MASK & LINE-PASSENGER OXYGEN	127	NOSE GEAR DOORS & TORQUE TUBE INSTL	38
MASK & LINE PASSENGER OXYGEN	127A	NOSE GEAR DOORS & TORQUE TUBE INSTL	38A
MASKS CASE-OXYGEN	127	NOSE GEAR DOORS ACTUATOR	124
MASKS CASE-OXYGEN	127A	NOSE GEAR DOORS TORQUE TUBE	38
MASTER CYLINDER BODY	94	NOSE GEAR DOORS TORQUE TUBE	38A
MASTER CYLINDER PISTON	94	NOSE GEAR DRAG FITTING	16
MASTER SWITCH	59	NOSE GEAR DRAG FITTING	16A
METERING PIN	33	NOSE GEAR FITTING	16
MICROPHONE .SEE ELECTRONICS MANUAL		NOSE GEAR FITTING	16A
MICROPHONE-OXYGEN SYSTEM	127	NOSE GEAR FORK & PISTON	33
MICROPHONE-OXYGEN SYSTEM	127A	NOSE GEAR FORK REPLACEMENT KIT	33
MIRROR & COVER	64	NOSE GEAR INSTALLATION	31
MIRROR INSTALLATION-REAR VIEW	64	N.G. RETRACTION & DRAG STRUT ACTR	118
MIXTURE CONTROL	58	NOSE GEAR SHOCK STRUT PLACARD	2
MIXTURE CONTROL	58A	NOSE GEAR STEERING BUNGEE	32
MIXTURE CONTROL	58B	NOSE GEAR STEERING SYSTEM	32
MIXTURE CONTROL	72	NOSE GEAR SUPPORT	16
MIXTURE CONTROL	71	NOSE GEAR SUPPORT	16A
MOORING RING	29	NOSE GEAR UNLOCK BELLCRANK & HOOK ASSEMBLY	40A
MOORING RING	3	NOSE GEAR UNLOCK BRACKET	40
MOTOR ASSEMBLY-ELECTRIC TRIM	98A	NOSE GEAR UNLOCK HOOK & SUPPORT	40
MOTOR-ELECTRIC TRIM	98A	NOSE GEAR UNLOCK INSTALLATION	40
MOTOR-COVER ASSY	98A	NOSE GEAR UNLOCK INSTALLATION	40A
MOULDING-BAGGAGE DOOR WINDOW	49	NOSE GEAR UNLOCK SPRING	40
MOULDING-DOOR	48	NOSE GEAR UNLOCK SPRING	40A
MOULDING-REAR WINDOW	47	NOSE GEAR WHEEL & TIRE	34
MOULDING-SIDE WINDOW	50	NOSE WHEEL	34
MOUNT ASSEMBLY-ENGINE	16	NOSE WHEEL HUB CAP	31
MOUNT ASSEMBLY-ENGINE	16A	NOSE WHEEL TUBE	34
MOUNT-COWL FLAP HINGE	16	NOZZLE-DEFROST	15
MOUNT-COWL FLAP HINGE	16A	NOZZLE-DEFROST	90
MOUNT-INSTRUMENT PANEL SHOCK	58	NOZZLE-DEFROST	91
MOUNT-INSTRUMENT PANEL SHOCK	58A		
MOUNT-INSTRUMENT PANEL SHOCK	58B		
MOUNTING BLOCK-EYEBOLT	62		
MOUNTING BRACKET COVER-INST PANEL	58		
MOUNTING BRACKET COVER-INSTRUMENT PANEL	58A		
MOUNTING BRACKET COVER-INSTRUMENT PANEL	58B		
MUFFLER CORE	83		
MUFFLER SHROUD	83		
MUFFLER-EXHAUST	83		
N			
NAME PLATES, PLA & EXT MARKING	2	OIL CHECK DOOR	69
NAMEPLATE-M.A.A.	13	OIL COOLER	74
NAMEPLATE-M.A.A.	2	OIL COOLER BAFFLE	85
NAVIGATION LIGHT	3	OIL COOLER BAFFLE	86
NAVOMATIC .SEE ELECTRONICS MANUAL		OIL COOLER KIT	73
NOISE FILTER	128	OIL COOLER PLATE	74
NON CONGEALING OIL COOLER	73	OIL COOLER-ENGINE	73
NOSE CAP	70	OIL COOLER-NON CONGEALING	73
NOSE CAP LOWER SKIN	16	OIL DILUTION SWITCH	59
NOSE CAP PANEL	69	OIL DILUTION SWITCH	59A
NOSE CAP-LOWER	16	OIL DILUTION SWITCH	59B
NOSE CAP-LOWER	16A	OIL DILUTION SWITCH	109
NOSE CAP-UPPER	69	OIL DILUTION SYSTEM	109
N.G. & N.G. DOORS HYDRAULIC SYST	117	OIL DILUTION VALVE	109
N.G. & N.G. DOORS HYDRAULIC SYST	117A	OIL FILLER ACCESS DOOR	70
NOSE GEAR ACTUATOR	117	OIL FILTER	109
NOSE GEAR ACTUATOR	117A	OIL FILTER ADAPTER	109
NOSE GEAR AXLE FERRULE	31	OIL FILTER ADAPTER WRENCH	109
NOSE GEAR AXLE SPACER	31	OIL FILTER DEFLECTOR	109
NOSE GEAR AXLE TUBE	31	OIL FILTER INSTALLATION-FULL FLOW	109
NOSE GEAR DOOR AFT	38	OIL FILTER PLACARD	2
		OIL FILTER PLACARD	109
		OIL OUTLET ADAPTER	79
		OIL PRESSURE GAGE	58
		OIL PRESSURE GAGE	58A
		OIL PRESSURE GAGE	58B
		OIL PRESSURE GAGE	109
		OIL PRESSURE HOSE	73
		OIL PRESSURE HOSE	109
		OIL PRESSURE HOSE	79

ALPHABETICAL INDEX

NOMENCLATURE	FIGURE	NOMENCLATURE	FIGURE
O (cont)		P (cont)	
OIL PRESSURE LINE	109	PANEL LIGHT-INSTRUMENT	129A
OIL SEPARATOR	110	PANEL LIGHT-TAB MOUNT	60
OIL SEPARATOR	110B	PANEL LIGHT-TAB MOUNT	60A
OIL SYSTEM	109	PANEL LIGHT-TAB MOUNT	60B
OIL TEMPERATURE ADAPTER	74	PANEL-BAGGAGE DOOR	49
OIL TEMPERATURE ADAPTOR	73	PANFL-DOOR TRIM	48
OIL TEMPERATURE GAGE	58	PANFL-GLOVE BOX TRIM	61
OIL TEMPERATURE GAGE	58A	PANEL-LOWER PEDESTAL	19
OIL TEMPERATURE GAGE	58B	PANEL-NOSE CAP	69
OIL TEMPERATURE GAGE	109	PANEL-OUTBOARD FLOOR	20
OPERATIONAL LIMITATIONS PLACARD	2	PANEL-REAR WALL TRIM	49
OPERATIONAL LIMITATIONS PLACARD	58	PANEL-UPPER PEDESTAL	19
OUTSIDE AIR TEMPERATURE GAGE	64	PARKING BRAKE	92
OXYGEN BOTTLE ACCESS DOOR INSTALLATION	127B	PARKING BRAKE BRACKET	15
OXYGEN CAP & CHAIN	127	PARKING BRAKE CABLE & TUBE ASSEMBLY	92
OXYGEN CAP & CHAIN	127A	PARKING BRAKE CATCH	92
OXYGEN CYLINDER & REGULATOR	127	PARKING BRAKE HANDLE	92
OXYGEN CYLINDER & REGULATOR	127A	PARKING BRAKE SUPPORT	58
OXYGEN CYLINDER SUPPORT	127	PARKING BRAKE SUPPORT	58A
OXYGEN CYLINDER SUPPORT	127A	PARKING BRAKE SUPPORT	58B
OXYGEN FILLER VALVE	127	PAWL-RECLINING ADJUSTMENT	55
OXYGEN FILLER VALVE	127A	PAWL-SEAT ADJUSTMENT	53
OXYGEN FLOW INDICATOR	127	PEDESTAL CENTER PLATE	19
OXYGEN FLOW INDICATOR	127A	PEDESTAL CHAIN GUARD	19
OXYGEN LINE	127	PEDESTAL COVER	49
OXYGEN LINE	127A	PEDESTAL COVER-POST LIGHTED	60
OXYGEN LINE & FITTING-PASSENGER	127	PEDESTAL COVER-POST LIGHTED	60A
OXYGEN LINE & FITTING-PASSENGER	127A	PEDESTAL COVER-POST LIGHTED	60B
OXYGEN MASK & LINE-PASSENGER	127	PEDESTAL INSTALLATION	19
OXYGEN MASK & LINE-PASSENGER	127A	PEDESTAL PANEL LOWER	19
OXYGEN MASKS CASE	127	PEDESTAL PANEL-UPPER	19
OXYGEN MASKS CASE	127A	PILOT & CO-PILOT SEAT INSTALLATION	52
OXYGEN PRESSURE GAGE	127	PIN BASE PLUG	33
OXYGEN PRESSURE GAGE	127A	PIN-METERING	33
OXYGEN PRESSURE LINE	127	PIN-SEAT ADJUSTMENT	55
OXYGEN PRESSURE LINE	127A	PIN-SEAT TRACK ENGAGEMENT	57
OXYGEN RELIEF VALVE-HIGH PRESSURE	127	PISTON & FORK-NOSE GEAR	33
OXYGEN RELIEF VALVE-HIGH PRESSURE	127A	PISTON & ROD-LOCK CYLINDER	126
OXYGEN RELIEF VALVE-LOW PRESSURE	127	PISTON ORFICE SUPPORT-SHOCK STRUT	33
OXYGEN RELIEF VALVE-LOW PRESSURE	127A	PISTON-MASTER CYLINDER	94
OXYGEN SYSTEM INSTALLATION	127	PITOT SYSTEM INSTALLATION	103
OXYGEN SYSTEM INSTALLATION	127A	PITOT TUBE	103
OXYGEN SYSTEM MICROPHONE	127	PITOT TUBE CONNECTOR	103
OXYGEN SYSTEM MICROPHONE	127A	PITOT TUBE NOSE FITTING	103
OXYGEN VALVE OUTLET	127	PLACARD BASE-GLOVE BOX	61
OXYGEN VALVE OUTLET	127A	PLACARD-ALLIANCE FOR PROGRESS	2
OXYGEN VALVE OUTLET ESCUTCHEON	127	PLACARD-ALTERNATE STATIC SOURCE	2
OXYGEN VALVE OUTLET ESCUTCHEON	127A	PLACARD-AUXILIARY HYDRAULIC	2
		PLACARD-BAGGAGE	2
		PLACARD-BATTERY BOX POLARITY	2
		PLACARD-CHECKLIST	2
		PLACARD-CHILDS SEAT	56
		PLACARD-CLIMB FUEL FLOW	2
		PLACARD-CLIMB FUEL FLOW	58
		PLACARD-COMPASS CORRECTION	64
		PLACARD-DOOR HANDLE	44
		PLACARD-DOOR HANDLE	43
		PLACARD-DOOR HANDLE	2
		PLACARD-ENGINE OIL	2
		PLACARD-FUEL SELECTOR VALVE	2
		PLACARD-GROUND SERVICE PLUG	2
		PLACARD-HAND OF FRIENDSHIP	2
		PLACARD-HYDRAULIC FLUID RESERVOIR	2
		PLACARD-MANIFOLD PRESSURE & CLIMB FUEL FLOW	2
		PLACARD-MANIFOLD PRESSURE & CLIMB FUEL FLOW	58
		PLACARD-NOSE GEAR SHOCK STRUT	2
		PLACARD-OIL FILTER	2
		PLACARD-OIL FILTER	109
		PLACARD-OPERATIONAL LIMITATIONS	2
		PLACARD-OPERATIONAL LIMITATIONS	58
		PLACARD-POWER SETTING LIMITATIONS	2
P			
PAD-INSULATION	70		
PAD-JACK	62		
PAINT PAGE IV			
PAN-SEAT	20		
PANEL COVER-INSTRUMENT CENTER	58		
PANEL COVER-INSTRUMENT CENTER	58A		
PANEL COVER-INSTRUMENT CENTER	58B		
PANEL COVER-SHOCK	58		
PANFL COVER-SHOCK	58A		
PANEL COVER-SHOCK	58B		
PANEL COVER-STATIONARY	58		
PANEL COVER-STATIONARY	58A		
PANEL COVER-STATIONARY	58B		
PANEL LIGHT COVER	129		
PANEL LIGHT COVER	129A		
PANEL LIGHT HOUSING	129		
PANEL LIGHT HOUSING	129A		
PANEL LIGHT-INSTRUMENT	129		

ALPHABETICAL INDEX

NOMENCLATURE	FIGURE	NOMENCLATURE	FIGURE
P (cont)		P (cont)	
PLACARD-PRIMER PUMP	2	PROPELLER-THREE BLADED	68
PLACARD-PROP CONTROL KNOB	2	PROPELLER-TWO BLADED	67
PLACARD-TIRE PRESSURE	2	PULL BAR-DOOR HANDLE	45
PLACARD-WINTERIZATION	2	PULLEYS . SEE INDIVIDUAL SYSTEM	
PLACARD-WINTERIZATION	88	PUMP DRAIN LINE	74
PLATE-DOOR STRIKER	24	PUMP-AUXILIARY FUEL	105
PLATE-FINISH & TRIM	2	PUMP-HYDRAULIC	111
PLATE-FINISH AND TRIM	13	PUMP-VACUUM	110
PLATE-FLOORBOARD INSPECTION	23	PUMP-VACUUM	110B
PLATE-MAIN GEAR ADJUSTING	42	PUSH ROD-FLAP	100
PLATE-OIL COOLER	74	PUSH ROD-FLAP	100A
PLATE-PEDESTAL CENTER	19		
PLATE-STRIKER	48	Q	
PLATE-WINDOW LATCH	43	QUADRANT-AILERON CONTROL	95
PLUG-FUEL RESERVOIR	104		
PLUG-GROUND SERVICE	128	R	
PLUG-HEATING	58	RACE-GOVERNOR CONTROL ARM	72
PLUG-HEATING	58A	RADIO . SEE ELECTRONICS MANUAL	
PLUG-HEATING	58B	RAIL-SEAT	23
PLUNGER-FUEL STRAINER	106	RAIL-SEAT-4 PLACE	23
POCKET-MAGAZINE	53	REAR CYLINDER BAFFLE	86
POCKET-MAGAZINE	52	REAR DOORPOST INSTALLATION	18
PORTABLE STRETCHER	63	REAR ENGINE MOUNT	16
PORTABLE STRETCHER INSTALLATION	63	REAR ENGINE MOUNT	16A
POSITIONING HANDLE-SEAT	57	REAR HOUSING-HYDRAULIC PUMP	116
POST LIGHTED INSTRUMENT PANEL INSTL	60	REAR SEAT	55
POST LIGHTED INSTRUMENT PANEL INSTALLATION	60A	REAR SEAT BACK	55
POST LIGHTED INSTRUMENT PANEL INSTALLATION	60B	REAR SEAT BACK-HIGH BACK	57
POST LIGHTED INSTRUMENT PANEL COVER	60	REAR SEAT BOTTOM	55
POST LIGHTED INSTRUMENT PANEL COVER	60A	REAR SEAT BOTTOM	57
POST LIGHTED INSTRUMENT PANEL COVER	60B	REAR SEAT-HIGH BACK	57
POST LIGHTED PEDESTAL COVER	60	REAR SEATS INSTALLATION	55
POST LIGHTED PEDESTAL COVER	60A	REAR SHOCK MOUNT	71
POST LIGHTED PEDESTAL COVER	60B	REAR VIEW MIRROR INSTALLATION	64
POWER ECONOMY INDICATOR	58	REAR WALL COVER	49
POWER ECONOMY INDICATOR	58A	RECEIVER-ASH	58
POWER ECONOMY INDICATOR	58B	RECFIVER-ASH	50
POWER ECONOMY LEAD	58	RECFIVER-ASH	58A
POWER ECONOMY LEAD	58A	RECEPTACLE-GROUND SERVICE PLUG	128
POWER ECONOMY LEAD	58B	RECLINING ADJUSTMENT HANDLE-SEAT	53
POWERPACK BODY	112	RECLINING ADJUSTMENT PAWL-SEAT	55
POWERPACK FILTER	111	REGULATOR & CYLINDER-OXYGEN	127
POWERPACK MANIFOLD	114	REGULATOR & CYLINDER-OXYGEN	127A
POWERPACK PRESSURE PUMP HOSE	111	REGULATOR-VOLTAGE	128
POWERPACK RESERVOIR	113	REGULATOR-VOLTAGE	75
POWERPACK VENT LINE	111	REGULATOR-VOLTAGE	76
POWERPACK-FILTER	113	REINFORCEMENT-DOOR STOP	43
PRESSURE SWITCH-DE-ICE	126A	RELEASE CORD-GLIDER	62
PRIMER	108	RELIEF VALVE-OXYGEN	127
PRIMER KNOB	108	RELIEF VALVE-OXYGEN	127A
PRIMER MANIFOLD INTAKE	108	REMOVABLE DOOR LATCH	44
PRIMER PUMP PLACARD	2	REMOVABLE DOOR LATCH	43
PROBE-ECONOMY POWER INDICATOR	73	REMOVABLE LATCH	45
PROBE-ECONOMY POWER INDICATOR	74	RESERVOIR BRACKET-FUEL	16
PROP CONTROL KNOB PLACARD	2	RESERVOIR BRACKET-FUEL	16A
PROPELLER	65	RESERVOIR-FUEL	104
PROPELLER BLADE	68	RESERVOIR-POWERPACK	113
PROPELLER BLADE	67	RESTRICTOR VALVE	96A
PROPELLER CONTROL	58	RETAINER HALF-WINDSHIELD	27
PROPELLER CONTROL	58A	RETAINER STRIP-WINDSHIELD	27
PROPELLER CONTROL	58B	RETAINER-CABIN AIR VENT	50
PROPELLER CONTROL	71	RETAINER-CALL LETTER	58
PROPELLER DE-ICE-SWITCH & AMMETER	58B	RETAINER-CALL LETTER	58A
PROPELLER DE-ICE-SWITCH & AMMETER	126B	RETAINER-CALL LETTER	58B
PROPELLER-DE-ICE	126B	RETAINER-DEFROST	47
PROPELLER GOVERNOR	81		
PROPELLER GOVERNOR	82		
PROPELLER HUB	68		
PROPELLER INSTALLATION-THREE BLADED	66		
PROPELLER SPINNER BULKHEAD	65		
PROPELLER-GOVERNOR	73		

ALPHABETICAL INDEX

NOMENCLATURE	FIGURE	NOMENCLATURE	FIGURE
R (cont)		S (cont)	
RETAINER-HEADLINER	128	SCUFF PLATE-BAGGAGE DOOR	49
RETAINER-OUTER WINDOW	44	SCUFF PLATE-DOOR	49
RETAINER-REAR WINDOW	24	SEAL-WINDOW INBOARD	24
RETAINER-SEAT BOTTOM	55	SEALANTS	1
RETAINER-SEAT BOTTOM	52	SEAT ADJUSTMENT ARM	55
RETAINER-STEERING BOOT	32	SEAT ADJUSTMENT ARM	54
RETAINER-TRUE AIRSPEED	58	SEAT ADJUSTMENT HANDLE	52
RETAINER-TRUE AIRSPEED	58A	SEAT ADJUSTMENT HANDLE	55
RETAINER-TRUE AIRSPEED	58B	SEAT ADJUSTMENT PAWL	53
RHEOSTAT KNOB	59	SEAT ADJUSTMENT PIN	55
RHEOSTAT KNOB	59A	SEAT ADJUSTMENT SPRING	53
RHEOSTAT KNOB	59B	SEAT ADJUSTMENT SPRING	52
RHEOSTAT-INSTRUMENT LIGHT	59	SEAT BACK	53
RHEOSTAT-INSTRUMENT LIGHT	59A	SEAT BACK	53
RHEOSTAT-INSTRUMENT LIGHT	59B	SEAT BACK	52
RIB WING ROOT	14	SEAT BACK ASH RECEIVER	53
RIB-WING ROOT	4	SEAT BACK CAM	55
RIGHT CABIN DOOR INSTALLATION	44	SEAT BACK CAM	53
RING-MOORING	29	SEAT BACK CAM	52
RING-MOORING	3	SEAT BACK COVERS	SEE SEATS
RING-TRUE AIRSPEED	58	SEAT BACK CUSHION	SEE SEATS
RING-TRUE AIRSPEED	58A	SEAT BACK HEADREST	52
RING-TRUE AIRSPEED	58B	SEAT BACK TRIM	57
RISER-EXHAUST	84	SEAT BACK TRIM	53
ROD & PISTON-LOCK CYLINDER	126	SEAT BACK TRIM	52
ROD-FLAP ACTUATOR TO FLAP	100	SEAT BACK TRIM-REAR	55
ROD-FLAP ACTUATOR TO FLAP	100A	SEAT BACK-CHILDS	56
ROD-MAIN GEAR UPLOCK	41	SEAT BACK-HIGH BACK REAR	57
ROD-SHIMMY DAMPENER	35	SEAT BACK-REAR	55
ROLLER CURTAIN	49	SEAT BELT	55
ROLLER HOUSING-SEAT	55	SEAT BELT	56
ROLLER KIT-SEAT	52	SEAT BELT	57
ROLLER KIT-SEAT	55	SEAT BELT	53
ROLLER KIT-SEAT	57	SEAT BELT	52
ROOT RIB SOUNDPROOFING	51	SEAT BELT FITTING	53
ROOT RIB SOUNDPROOFING	51A	SEAT BELT FITTING	52
ROOT RIB WING	14	SEAT BOTTOM	53
ROOT RIB-WING	4	SEAT BOTTOM FRAME-VERTICALLY ADJ	54
ROTARY ACTUATOR-BODY	121	SEAT BOTTOM RETAINER	55
ROTARY ACTUATOR-MAIN GEAR	121	SEAT BOTTOM RETAINER	52
RUBBER EXTRUSIONS	1	SEAT BOTTOM SKIRT	53
RUDDER BAR	93	SEAT BOTTOM-CHILDS	56
RUDDER BAR ARM	93	SEAT BOTTOM-REAR	55
RUDDER BAR CARPET	49	SEAT BOTTOM-REAR	57
RUDDER BAR COVER	49	SEAT INSTALLATION-CHILDS	56
RUDDER BAR SHIELD	49	SEAT LEG	55
RUDDER BELLCRANK	10	SEAT LEG	54
RUDDER BELLCRANK	102	SEAT LEG	52
RUDDER BUNGEE	102	SEAT PAN	20
RUDDER CABLE	101	SEAT PLACARD-CHILDS	56
RUDDER CONTROL SYSTEM	101	SEAT POSITIONING HANDLE	57
RUDDER INSTALLATION	10	SEAT RAIL	23
RUDDER SCREWJACK	102	SEAT RAIL-4 PLACE	23
RUDDER SKIN	10	SEAT ROLLER HOUSING	55
RUDDER SPAR-AFT	10	SEAT ROLLER KIT	55
RUDDER SPAR-FORWARD	10	SEAT ROLLER KIT	57
RUDDER TIP CAP	10	SEAT ROLLER KIT	54
RUDDER TRIM CONTROL STOP	19	SEAT ROLLER KIT	52
RUDDER TRIM CONTROL SUPPORT BRACKET	19	SEAT STOP	53
RUDDER TRIM INDICATOR	102	SEAT STRUCTURE-CHILD	20
RUDDER TRIM INSTALLATION	102	SEAT SUPPORT LEG	20
RUDDER TRIM WHEEL	102	SEAT SUPPORT-CHILD	23
		SEAT TRACK ENGAGEMENT PIN	57
		SEAT-HIGH BACK REAR	57
		SEAT-PILOT & CO-PILOT	52
		SEAT-REAR	55
		SEAT-VERTICALLY ADJUSTABLE	53
		SEATS INSTALLATION-REAR	55
		SENDING UNIT-CYLINDER HEAD TEMP	73
		SENDING UNIT-CYLINDER HEAD TEMP	74
		SEPARATOR-OIL	110
S			
SADDLE-MAIN LANDING GEAR	36		
SAMPLER CUP-FUEL	64		
SCREEN-COLD AIR INLET	89		
SCREWJACK-RUDDER	102		

ALPHABETICAL INDEX

NOMENCLATURE	FIGURE	NOMENCLATURE	FIGURE
S (cont)		S (cont)	
SEPARATOR-OIL	110B	SKIRT-SEAT BOTTOM	53
SEQUENCE & UNLOCK ACTUATOR	125	SOCKET-COURTESY LIGHT	131
SERVO ASSEMBLY	96A	SOLENOID-EMERGENCY PUMP	115
SHAFT-FUEL SELECTOR	107	SOUNDPROOFING BAG	51
SHAFT-NOSE GEAR STEERING	33	SOUNDPROOFING BAG	51A
SHAFT-TACHOMETER	71	SOUNDPROOFING-AFT CABIN SIDE	51
SHELF WALL SOUNDPROOFING	51	SOUNDPROOFING-AFT CABIN SIDE	51A
SHELF-BAGGAGE	24	SOUNDPROOFING-BAGGAGE COMPARTMENT	51
SHIELD-COURTESY LIGHT	131	SOUNDPROOFING-BAGGAGE COMPARTMENT SIDE	51A
SHIELD-DEFLECTOR FRONT	74	SOUNDPROOFING-CABIN TOP AFT	47
SHIELD-DOORPOST	50	SOUNDPROOFING-CABIN TOP AFT	51A
SHIELD-HEAT	16	SOUNDPROOFING-CABIN TOP FORWARD	47
SHIELD-RUDDER BAR	49	SOUNDPROOFING-CABIN TOP FORWARD	51A
SHIM-DOOR STRIKER	24	SOUNDPROOFING-DOOR	51
SHIMMY DAMPENER	35	SOUNDPROOFING-DOOR	51A
SHIMMY DAMPENER ROD	35	SOUNDPROOFING-DOOR FILL	51
SHOCK MOUNT KIT-ENGINE	72	SOUNDPROOFING-DOOR FILL	51A
SHOCK MOUNT-FORWARD	71	SOUNDPROOFING-DOORPOST	51
SHOCK MOUNT-INSTRUMENT PANEL	58	SOUNDPROOFING-DOORPOST	51A
SHOCK MOUNT-INSTRUMENT PANEL	58A	SOUNDPROOFING INSTALLATION-CABIN	51
SHOCK MOUNT-INSTRUMENT PANEL	58A	SOUNDPROOFING INSTALLATION-CABIN	51A
SHOCK MOUNT-REAR	71	SOUNDPROOFING-INSTRUMENT PANEL DECK	51
SHOCK MOUNTED ALTERNATOR INSTL	130	SOUNDPROOFING-INSTRUMENT PANEL DECK	51A
SHOCK PANEL COVER	58	SOUNDPROOFING-REAR WINDOW POST	51
SHOCK PANEL COVER	58A	SOUNDPROOFING-REAR WINDOW POST	51A
SHOCK STRUT BARREL	33	SOUNDPROOFING-ROOT RIB	51
SHOCK STRUT COLLAR	33	SOUNDPROOFING-ROOT RIB	51A
SHOCK STRUT-NOSE GEAR	33	SOUNDPROOFING-SHELF WALL	51
SHOULDER HARNESS	62	SOUNDPROOFING-SHELF WALL	51A
SHOULDER HARNESS HOOK	62	SPACER-ELEVATOR TRAILING EDGE	12
SHROUD-INBOARD EXHAUST	84	SPACER-NOSE GEAR AXLE	31
SHROUD-MUFFLER	83	SPAR ASSEMBLY-AILERON TAB	7
SHROUD-OUTBOARD EXHAUST	84	SPAR CAP-WING	6
SHUTTLE VALVE-DE-ICE	126A	SPAR-AILERON FORWARD	7
SIDE WINDOW-AFT	24	SPAR-AILERON REAR	7
SIDEWALL PANEL-FORWARD UPHOLSTERY	50	SPAR-CENTER SECTION WING	14
SILENCER-FRESH AIR	89	SPAR-ELEVATOR AFT	12
SILL-BAGGAGE DOOR	24	SPAR-ELEVATOR FORWARD	12
SILL-DOOR	14	SPAR-FIN AFT	9
SILL-LH DOOR	21	SPAR-FIN AFT	9A
SILL-RH DOOR	21	SPAR-FIN FORWARD	9
SKIN INBOARD-ELEVATOR	12	SPAR-FIN FORWARD	9A
SKIN-AILERON	7	SPAR-FLAP FORWARD	8
SKIN-CABIN DOOR	44	SPAR-FLAP REAR	8
SKIN-CABIN DOOR	43	SPAR-FRONT DOORPOST	17
SKIN-COWL	16	SPAR-RUDDER AFT	10
SKIN-COWL	16A	SPAR-RUDDER FORWARD	10
SKIN-COWL DECK	15	SPAR-STABILIZER FRONT	11
SKIN-COWL LOWER	16	SPAR-STABILIZER REAR	11
SKIN-COWL LOWER	16A	SPAR-WING	6
SKIN-DORSAL FIN	9	SPARK PLUG	75
SKIN-DORSAL FIN	9A	SPARK PLUG	76
SKIN-ELEVATOR BALANCE	12	SPEED INDICATOR-VERTICAL	103
SKIN-ELEVATOR TRAILING EDGE	12	SPINNER BULKHEAD-PROPELLER	65
SKIN-ELEVATOR TRIM TAB	12	SPINNER DOME	65
SKIN-FIN	9	SPINNER DOME	66
SKIN-FIN	9A	SPINNER DOME	126B
SKIN-FLAP	8	SPRING DOOR ACTUATOR BELLCRANK	39
SKIN-FORWARD FUSELAGE	16	SPRING WELL DOOR HINGE	20
SKIN-FORWARD FUSELAGE	16A	SPRING WELL DOOR-MAIN GEAR	39
SKIN-INSULATION PAD	70	SPRING-ANTI RATTLE	93
SKIN-NOSE CAP LOWER	16	SPRING-DOOR HANDLE	44
SKIN-NOSE CAP LOWER	16A	SPRING-DOOR HANDLE	43
SKIN-OUTBOARD LEADING EDGE	5	SPRING-DOOR HANDLE	45
SKIN-RUDDER	10	SPRING-DOOR STOP	44
SKIN-STABILIZER	11	SPRING-DOOR STOP	43
SKIN-TAILCONE TOP	28	SPRING-INTERCONNECT	101A
SKIN-TRAILING EDGE WING	4	SPRING-MAIN LANDING GEAR	36
SKIN-UPPER COWL	70	SPRING-NOSE GEAR UPLOCK	40
SKIN-UPPER COWL	69	SPRING-NOSE GEAR UPLOCK	40A
SKIN-UPPER INBOARD WING	4	SPRING-SEAT ADJUSTMENT	53

ALPHABETICAL INDEX

NOMENCLATURE	FIGURE	NOMENCLATURE	FIGURE
S (cont)		S (cont)	
SPRING-SEAT ADJUSTMENT	52	SUCTION GAGE	110
SPRING-WARM AIR	90	SUCTION GAGE	110A
SPRING-WARM AIR	91	SUN-VISOR	50
SPROCKET-ELEVATOR TRIM IDLER	98	SUPPORT ASSEMBLY-ELECTRIC TRIM	98A
STABILIZER ABRASION BCOT	11	SUPPORT BRACKET-COWL FLAP CONTROL	19
STABILIZER FAIRING	11	SUPPORT BRACKET-RUDDER TRIM CONTROL	19
STABILIZER FITTING	11	SUPPORT-BRAKE CYLINDER	16
STABILIZER FRONT SPAR	11	SUPPORT-BRAKE CYLINDER	16A
STABILIZER HINGE	11	SUPPORT-DOOR PULL	48
STABILIZER INSTALLATION	11	SUPPORT-ELEV & RUDDER TRIM SHAFT	19
STABILIZER REAR SPAR	11	SUPPORT-ELEVATOR TRIM SOCKET	19
STABILIZER SKIN	11	SUPPORT-NOSE GEAR	16
STABILIZER TIP	11	SUPPORT-NOSE GEAR	16A
STACK-CENTER UPPER	83	SUPPORT-TAIL PIPE	25
STAINLESS STEEL CABLES SEE SYSTEMS		SWING STOP & DETENT	46
STALL & GEAR DOWN DUAL WARNING UNIT	61	SWITCH & AMMETER-PROPELLER DE-ICE	58P
STALL WARNING UNIT	128	SWITCH & LOCK KIT-IGNITION	59
STALL WARNING UNIT-WING	3	SWITCH & LOCK KIT-IGNITION	59A
STARTER CABLE	128	SWITCH & LOCK KIT-IGNITION	59B
STARTER-HEAVY DUTY	75	SWITCH PANEL INSTALLATION	59
STARTER-HEAVY DUTY	76	SWITCH PANEL INSTALLATION	59A
STATIC DISCHARGER	10	SWITCH PANEL INSTALLATION	59B
STATIC DISCHARGER	12	SWITCH-CONSOLE LIGHTS	59
STATIC SOURCE INSTL-ALTERNATE	103	SWITCH-CONSOLE LIGHTS	59A
STATIONARY INSTRUMENT PANEL	58	SWITCH-CONSOLE LIGHTS	59B
STATIONARY INSTRUMENT PANEL	58A	SWITCH-DOME LIGHT	128
STATIONARY INSTRUMENT PANEL	58B	SWITCH-ELECTRIC TRIM	98A
STATIONARY PANEL COVER	58	SWITCH-FLAP	58
STATIONARY PANEL COVER	58A	SWITCH-FLAP	58A
STATIONARY PANEL COVER	58B	SWITCH-FLAP	58B
STEERING ARM	33	SWITCH-FLASHING BEACON	132
STEERING BOOT RETAINER	32	SWITCH-FUEL PUMP	59
STEERING LINK	33	SWITCH-FUEL PUMP	59A
STEERING LINK ROD BOOT	32	SWITCH-FUEL PUMP	59B
STEERING SHAFT-NOSE GEAR	33	SWITCH-LANDING LIGHT	59
STEERING SYSTEM-NOSE GEAR	32	SWITCH-LANDING LIGHT	59A
STFP-LANDING GEAR	36	SWITCH-LANDING LIGHT	59B
STINGER INSTALLATION	30	SWITCH-MASTER	59
STOP BLOCK-ELEVATOR TAB	98	SWITCH-MASTER	59A
STOP-CABIN DOOR	44	SWITCH-MASTER	59B
STOP-CABIN DOOR	43	SWITCH-OIL DILUTION	59
STOP-DOOR	20	SWITCH-OIL DILUTION	59A
STOP-ELEVATOR LOWER	29	SWITCH-OIL DILUTION	59B
STOP-ELEVATOR UPPER	29	SWITCH-OIL DILUTION	109
STOP-RUDDER TRIM CONTROL	19	SWITCH-PRESSURE DE-ICE	126A
STOP-SEAT	53	SWITCH-THROTTLE LIMIT	128
STOWABLE CO-PILOT PEDALS CONTROL	58	SWITCH-THROTTLE LIMIT	77
STOWABLE CO-PILOT PEDALS CONTROL	58A	SWITCH-TRIM & CONTROL WING DE-ICE	58B
STOWABLE CO-PILOT PEDALS CONTROL	58B	SWITCH-TIMER & CONTROL	126A
STRAINER DRAIN CONTROL	59	SWITCHES-LANDING GEAR	133
STRAINER DRAIN CONTROL	59A	SYSTEMS . SEE INDIVIDUAL LISTINGS	
STRAINER DRAIN CONTROL	106		
STRAINER DRAINLINE	106		
STRAINER-FUEL	106		
STRAINER-FUEL CFLL	5		
STRAP-BUS BAR	128		
STRAP-GROUND	72		
STRAP-GROUND	71		
STRETCHER INSTALLATION-PORTABLE	63		
STRIKER PLATE	61		
STRIKER PLATE	48		
STRIKER PLATE-DOOR	24		
STRIP-COWL ATTACH	15		
STRIP-UPHOLSTERY ATTACH	17		
STRIP-WINDSHIELD RETAINER	27		
STRUCTURE-CABIN DOOR	43		
STRUCTURE-CABIN DOOR RH	44		
STRUT DOORS ACTUATOR-MAIN GEAR	122		
SUCTION GAGE	58		
SUCTION GAGE	58A		
SUCTION GAGE	58B		
		T	
		TAB MOUNT PANEL LIGHT	60
		TAB MOUNT PANEL LIGHT	60A
		TAB MOUNT PANEL LIGHT	60B
		TAB-AILERON TRIM	7
		TACHOMETER	58
		TACHOMETER	58A
		TACHOMETER	58B
		TACHOMETER SHAFT	71
		TAIL LIGHT	30
		TAIL PIPE SUPPORT	25
		TAILCONE BULKHEAD-STA. 209.00	29
		TAILCONE INSTALLATION	28
		TAILCONE TOP SKIN	28
		TAILCONE-AFT	29
		TAILPIPE-EXHAUST	80

ALPHABETICAL INDEX

NOMENCLATURE	FIGURE	NOMENCLATURE	FIGURE
T(cont)		T(cont)	
TAILPIPE-EXHAUST STACK	83	TRIM-WOOD GRAIN	58A
TAILPIPE-EXHAUST SYSTEM	84	TRUE AIRSPEED INDICATOR INSTL	58
TEE-KEEL ATTACH	16	TRUE AIRSPEED INDICATOR INSTALLATION	58A
TEE-KEEL ATTACH	16A	TRUE AIRSPEED INDICATOR INSTALLATION	58B
TEMPERATURE GAGE-CYLINDER HEAD	58	TRUE AIRSPEED RETAINER	58
TEMPERATURE GAGE-CYLINDER HEAD	58A	TRUE AIRSPEED RETAINER	58A
TEMPERATURE GAGE-CYLINDER HEAD	58B	TRUE AIRSPEED RETAINER	58B
TEMPERATURE GAGE-OIL	58	TRUE AIRSPEED RING	58
TEMPERATURE GAGE-OIL	58A	TRUE AIRSPEED RING	58A
TEMPERATURE GAGE-OIL	58B	TRUE AIRSPEED RING	58B
TEMPERATURE GAGE-OUTSIDE AIR	64	TRUNNION & BARREL-NOSE GEAR	33
THREE BLADED PROPELLER	68	TRUNNION-SHOCK STRUT LOWER	33
THREE BLADED PROPELLER INSTALLATION	66	TRUNNION-SHOCK STRUT UPPER	33
THROTTLE BODY ADAPTER	74	TS10520C ENG COMP & ASSOC ACCES	76
THROTTLE CONTROL	58	TUBE 6.00X6-MAIN LANDING GEAR	37
THROTTLE CONTROL	72	TUBE 5.00X5-NOSE WHEEL	34
THROTTLE CONTROL	71	TUBE-AFT BREATHER	74
THROTTLE LIMIT SWITCH	128	TUBE-AILERON CONTROL	95
THROTTLE LIMIT SWITCH	77	TUBE-BREATHER AFT	73
THROTTLE-AIR	75	TUBE-FORWARD BREATHER	74
THROTTLE-AIR	76	TUBE-HEADLINER BOW	47
TIE DOWN BELT-CARGO	49	TUBE-L SHAPED PITOT	103
TIMER & CONTROL SWITCH	126A	TUBE-NOSE GEAR AXLE	31
TIP-ELEVATOR	12	TUNNEL CARPET-FORWARD	49
TIP-FLASHING BEACON FIN	132	TUNNEL WALL	16
TIP-STABILIZER	11	TUNNEL WALL	16A
TIP-WING	3	TUNNEL-INBOARD AFT CABIN	20
TIRE PRESSURE PLACARD	2	TURBOCHARGED ENGINE	72
TIRE 5.00X5-NOSE WHEEL	34	TURBOCHARGED ENGINE ASSEMBLY	74
TIRE 6.00X6-MAIN LANDING GEAR	37	TURBOCHARGED ENGINE INSTALLATION	72
TOP-CABIN	14	TURBOCHARGER AIR INLET INSTALLATION	78
TORQUE LINK-SHOCK STRUT LOWER	33	TURBOCHARGER INSTALLATION	79
TORQUE LINK-SHOCK STRUT UPPER	33	TURN & BANK INDICATOR	58
TORQUE TUBE SUPPORT BRACKET	15	TURN & BANK INDICATOR	58A
TORQUE TUBE SUPPORT-ELEV CONTROL	15	TURN & BANK INDICATOR	58B
TORQUE TUBE-NOSE GEAR DOORS	38	TURN COORDINATOR	96A
TOW BAR	62	TWIN PACK-BEVERAGE	49
TOW HOOK-GLIDER	62	TWO BLADED PROPELLER	67
TRAILING EDGE SKIN-ELEVATOR	12	TWO BLADED PROPELLER INSTALLATION	65
TRAILING EDGE-ELEVATOR	12		
TRAILING EDGE-WING	4	U	
TRANSMISSION-SHORT STROKE FLAP	100	UNIT-HYDRAULIC POWERPACK	111
TRANSMISSION-SHORT STROKE FLAP	100A	UNLOCK & SEQUENCE ACTUATOR	125
TRANSMITTER-FLAP POSITION	100	UNLOCK ACTUATOR-MG	122
TRANSMITTER-FLAP POSITION	100A	UNLOCK ACTUATOR-NOSE GEAR	117
TRANSMITTER-WING TANK FUEL	3	UNLOCK ACTUATOR-NOSE GEAR	117A
TRAY ASH-SEAT BACK	52	UPHOLSTERY ATTACH STRIP	17
TRAY-ASH	50	UPHOLSTERY CLIP	24
TRAY-BATTERY BOX	25	UPHOLSTERY CLIP	18
TRIM CONTROL STOP-RUDDER	19	UPHOLSTERY CLIP-FIREWALL	25
TRIM CONTROL SUPPORT BRACKET-RUDDER	19	UPHOLSTERY SUPPORT-DOCR	43
TRIM & CONTROL SWITCH-WING DE-ICE	58B	UPLOCK ROD-MAIN GEAR	41
TRIM INDICATOR-ELEVATOR	98	UPPER AFT CABIN COMPONENTS	24
TRIM PANEL-DOOR	48	UPPER COWL & NOSE CAP INSTALLATION	70
TRIM PANEL-GLOVE BOX	61	UPPER COWL & NOSE CAP INSTALLATION	69
TRIM PANEL-REAR WALL	49	UPPER COWL SKIN	70
TRIM SHAFT SUPPORT-ELEV & RUDDER	19	UPPER COWL SKIN	69
TRIM SHIELD-DOORPOST	50	UPPER NOSE CAP	69
TRIM SOCKET SUPPORT-ELEVATOR	19	UPPER PEDESTAL PANEL	19
TRIM TAB ACTUATOR MOUNTING BRACKET	11		
TRIM TAB HINGE HALF	12	V	
TRIM TAB SKIN-ELEVATOR	12	VACUUM FILTER	110
TRIM TAB-AILERON	7	VACUUM FILTER	110A
TRIM TAB-ELEVATOR	12	VACUUM PUMP	110
TRIM WHEEL-ELEVATOR	98	VACUUM PUMP	110B
TRIM WHEEL-RUDDER	102		
TRIM-REAR SEAT BACK	55		
TRIM-SEAT BACK	57		
TRIM-SEAT BACK	53		
TRIM-SEAT BACK	52		
TRIM-WOOD GRAIN	58		

ALPHABETICAL INDEX

NOMENCLATURE	FIGURE	NOMENCLATURE	FIGURE
V (cont)		W (cont)	
VACUUM SYSTEM INSTL-ENGINE DRIVEN	110	WINDOW FRAME-DOOR	43
VACUUM SYSTEM INSTALLATION-ENGINE DRIVEN	110B	WINDOW JAMB	43
VALVE ASSEMBLY-KNOB	96A	WINDOW LATCH HANDLE	43
VALVE ASSEMBLY-ON-OFF	96A	WINDOW LATCH PLATE	43
VALVE & BARREL BODY-LGCK CYLINDER	126	WINDOW MQLDING-BAGGAGE DOOR	49
VALVE BODY-CABIN HEATER	90	WINDOW MQLDING-REAR	47
VALVE BODY-CABIN HEATER	91	WINDOW MQLDING-SIDE	50
VALVE OUTLET-OXYGEN	127	WINDOW POST SOUNDPROOFING-REAR	51
VALVE OUTLET-OXYGEN	127A	WINDOW POST SOUNDPROOFING-REAR	51A
VALVE-AIR PUMP	110	WINDOW RETAINER-OUTER	44
VALVE-AIR PUMP	110B	WINDOW RETAINER-REAR	24
VALVE-CABIN HEATER	90	WINDOW SEAL-INBOARD	24
VALVE-CABIN HEATER	91	WINDOW-BAGGAGE DOOR INNER	46
VALVE-CONTROL DE-ICE	126A	WINDOW-BAGGAGE DOOR OUTER	46
VALVE-EXHAUST BY-PASS	80	WINDOW-DOOR	43
VALVE-FLUSH	5	WINDOW-DOOR INNER	44
VALVE-FUEL CHECK	104	WINDOW-DOOR OUTER	44
VALVE-FUEL CHECK	104A	WINDOW-OUTBOARD	24
VALVE FUEL DRAIN	5	WINDOW-REAR	24
VALVE FUEL DRAIN	6A	WINDOW-SIDE AFT	24
VALVE-FUEL SELECTOR	107	WINDSHIELD INSTALLATION	27
VALVE-FUEL SELECTOR	107A	WINDSHIELD RETAINER HALF	27
VALVE-FUEL VENT	3	WINDSHIELD RETAINER STRIP	27
VALVE-OIL DILUTION	109	WING ATTACH DOWEL PIN	3
VALVE-OXYGEN FILLER	127	WING COMPLETE	3
VALVE-OXYGEN FILLER	127A	WING FAIRING	3
VALVE-SHOCK STRUT	33	WING FILLET	13
VALVE-SHUTTLE	126A	WING FLAP	8
VENT-FUEL	5	WING INSPECTION PLATE	3
VENT-FUEL VALVE	3	WING LEADING EDGE	5
VENTILATION SYSTEM-CABIN	89	WING LEVELER INSTALLATION	96A
VERTICAL ADJUSTMENT HANDLE	54	WING LIGHT	3
VERTICAL SPEED INDICATOR	58	WING ROOT RIB	14
VERTICAL SPEED INDICATOR	58A	WING ROOT RIB	4
VERTICAL SPEED INDICATOR	58B	WING SKIN-UPPER INBOARD	4
VERTICAL SPEED INDICATOR	103	WING SPAR FITTING	6
VERT ADJUST PILOT & CO-PILOT SEAT	53	WING SPAR-CENTER SECTION	14
VERT ADJUSTABLE SEAT BOTTOM FRAME	54	WING SPAR-CENTER SECTION	14
VISOR-SUN	50	WING SPAR-MAIN	6
VOLTAGE REGULATOR	128	WING STALL WARNING UNIT	3
VOLTAGE REGULATOR	75	WING STRUCTURE	4
VOLTAGE REGULATOR	76	WING TANK FUEL TRANSMITTER	3
W		WING TIP	3
WARM AIR SPRING	90	WING TRAILING EDGE SKIN	4
WARM AIR SPRING	91	WING TRAILING EDGE SKIN	4
WARNING UNIT-DUAL STALL WARNING	128	WINTERIZATION COVER	88
WEDGE-CABIN DOOR	44	WINTERIZATION EQUIPMENT INSTL	88
WEDGE-CABIN DOOR	43	WINTERIZATION PLACARD	2
WEDGE-CABIN DOOR	17	WINTERIZATION PLACARD	88
WEIGHT-ELEVATOR BALANCE	12	WIRE-HEADLINER	47
WHEEL DOOR ACTUATOR	117	WOOD GRAIN TRIM	58
WHEEL DOOR ACTUATOR	117A	WOOD GRAIN TRIM	58A
WHEEL DOOR ACTUATOR LINES-MAIN GEAR	123	WRENCH-OIL FILTER ADAPTER	109
WHEEL DOORS ACTUATOR-MAIN GEAR	122	Z	
WHEEL WELL DOOR-MAIN GEAR	39	ZINC CHROMATE PRIMER	1
WHEEL-CONTROL	95	ZIPPER-HEADLINER	47
WHEEL-ELEVATOR TRIM	98		
WHEEL-MAIN GEAR	37		
WHEEL-NOSE	34		
WHEEL-RUDDER TRIM	102		
WHIFFLE TREE-NOSE GEAR STEERING	32		
WINDLACE-CABIN DOOR	47		
WINDLACE-BAGGAGE DOOR	49		
WINDOW EDGING-LOWER REAR	47		
WINDOW EDGING-REAR	50		
WINDOW EDGING-SIDE	50		
WINDOW EDGING-UPPER REAR	47		

 **PARTS LISTING**



FIGURE AND INDEX NO.	PART NUMBER	DESCRIPTION							UNITS PER ASSY	USABLE ON CODE
		1	2	3	4	5	6	7		
1 - - 1	C1C2	MISCELLANEOUS BULK ITEMS ----- CONLEY-WELD ----- EPOXY BASE ----- ADHESIVE. ----- CEMENTING ----- PLASTIC TO PLASTIC ----- PLASTIC TO METAL ----- FIBERGLASS TO FIBERGLASS ----- FIBERGLASS TO METAL ----- METAL TO METAL -----							AR	
- 2	EC880	ADHESIVE-SYNTHETIC ----- RUBBER BASE ----- OIL RESISTANT ----- CEMENTING ----- RUBBER TO METAL ----- SOUNDPROOFING TO METAL ----- UPHOLSTERY TO METAL -----								
- 3	EC13C0L	CEMENT PARTS A & B ----- CEMENTING DE-ICER ----- AND ABRASION BOOTS ----- TO WING AND STAB- ----- ILIZER LEADING EDGES. -----							1	
- 4	1C07	PRIMER ----- USED ONLY FOR PRIMING ----- AREAS WHERE DE-ICER ----- AND ABRASION BOOTS ARE ----- TO BE INSTALLED WITH ----- 1024A-B. -----								
- 5	576.1	SEALANT-EXTRUDED ----- PERMAGUM ----- WEATHER SEALING ----- OF WINDSHIELD OR ----- CABIN. -----								
- 6	579.6	SEALANT-EXTRUDED ----- ZINC CHROMATE ----- WEATHER SEALING ----- OF WINDSHIELD OR ----- CABIN. -----								
- 7	S1078-1	SEALANT-SYNTHETIC ----- RUBBER-FABRIC ----- REINFORCED ----- .06 THICK .50 WIDE ----- WINDSHIELD SEALING -----								
- 8	S1078-2	SEALANT-SYNTHETIC ----- RUBBER-FABRIC ----- REINFORCED ----- .12 THICK .50 WIDE ----- WINDSHIELD SEALING -----								
- 9	S1078-3	SEALANT-SYNTHETIC ----- RUBBER-FABRIC ----- REINFORCED ----- 2 MIL MYLAR TAPE ----- BACKING. ----- .06 THICK 1.50 WIDE ----- WINDSHIELD SEALING -----								
-10	EC1239A-B	SEALANT-CATALYTIC ----- GENERAL PURPOSE- ----- FOR FAYING SURFACES- ----- FILLET & RIVET SEALS- ----- FUEL SEALING AND AREAS ----- WHERE SKYDROL IS PRESENT -----								
-11	700	SEALANT-FIREWALL ----- SEALING FIREWALL JOINTS ----- AND OPENINGS. ----- WITHSTANDS 2000 DEGREE TEMP ----- FOR 5 MINUTES. -----								
-12	EC776	ADHESIVE-GASKET ----- FUEL RESISTANT ----- SYNTHETIC RUBBER ----- BASE. ----- CEMENTING GASKETS -----								
-13	550	SOUND DEADENER- ----- LIQUID VIBRATION ----- DAMPENER ----- VIBRATION DAMPENING ----- CAN BE BRUSHED ----- OR SPRAYED. -----								
-14	MX25A	PRIMER-ZINC CHROMATE- ----- YELLOW ----- CORROSION PROOFING -----								



FIGURE AND INDEX NO.	PART NUMBER	DESCRIPTION	UNITS PER ASSY	USABLE ON CODE
		1 2 3 4 5 6 7		
1 -14A	EC1675A-B	SEALANT-CATALYTIC		
		HOPPER ADAPTER TO ----- HOPPER-CANTILEVER WING FUEL BAY	I	
-15	S51-4	HOSE-FUEL & OIL-1/4 ID	AVAILABLE BY THE FOOT -----	AR
	S51-6	HOSE-FUEL & OIL-3/8 ID	AVAILABLE BY THE FOOT -----	AR
	S51-8	HOSE-FUEL & OIL-1/2 ID	AVAILABLE BY THE FOOT -----	AR
	S51-10	HOSE-FUEL & OIL-5/8 ID	AVAILABLE BY THE FOOT -----	AR
	S51-12	HOSE-FUEL & OIL-3/4 ID	AVAILABLE BY THE FOOT -----	AR
	S51-16	HOSE-FUEL & OIL-1.00 ID	AVAILABLE BY THE FOOT -----	AR
	S51-32	HOSE-FUEL & OIL-2.00 ID	AVAILABLE BY THE FOOT -----	AR
-16	S202RB	CHANNEL-EXTRUDED BLACK	AVAILABLE BY THE FOOT -----	AR
	S202VW	CHANNEL-EXTRUDED WHITE	AVAILABLE BY THE FOOT -----	AR
-17	S292-1	INSULATION SLEEVING-ELEC-.118 ID	AVAILABLE BY THE FOOT --	AR
	S292-2	INSULATION SLEEVING-ELEC-.133 ID	AVAILABLE BY THE FOOT --	AR
	S292-3	INSULATION SLEEVING-ELEC-.148 ID	AVAILABLE BY THE FOOT --	AR
	S292-4	INSULATION SLEEVING-ELEC-.166 ID	AVAILABLE BY THE FOOT --	AR
	S292-5	INSULATION SLEEVING-ELEC-.186 ID	AVAILABLE BY THE FOOT --	AR
	S292-6	INSULATION SLEEVING-ELEC-.208 ID	AVAILABLE BY THE FOOT --	AR
	S292-8	INSULATION SLEEVING-ELEC-.263 ID	AVAILABLE BY THE FOOT --	AR
	S292-11	INSULATION SLEEVING-ELEC-5/16 ID	AVAILABLE BY THE FOOT --	AR
	S292-12	INSULATION SLEEVING-ELEC-3/8 ID	AVAILABLE BY THE FOOT ---	AR
	S292-14	INSULATION SLEEVING-ELEC-1/2 ID	AVAILABLE BY THE FOOT ---	AR
	S292-16	INSULATION SLEEVING-ELEC-3/4 ID	AVAILABLE BY THE FOOT ---	AR
	S292-28	INSULATION SLEEVING-ELEC-2-1/2 ID	AVAILABLE BY THE FOOT -	AR
-18	S1026BG	CLAMP-WRAP TYPE AVAILABLE IN 100 FOOT ROLL	-----	AR
-19	S1053E7T	DUCT-FLEXIBLE-NEOPRENE IMPREGNATED 7/8 DIA	-----	AR
	S1053E8T	DUCT-FLEXIBLE-NEOPRENE IMPREGNATED AVAILABLE IN 10 FOOT LENGTHS ONLY 1.00 DIA	-----	AR
	S1053E10T	DUCT-FLEXIBLE-NEOPRENE IMPREGNATED AVAILABLE IN 10 FOOT LENGTHS ONLY 1-1/4 DIA	-----	AR
	S1053K10T	DUCT-FLEXIBLE-SILICONE IMPREGNATED AVAILABLE IN 10 FOOT LENGTHS ONLY 1-1/4 DIA	-----	AR
	S1053E12T	DUCT-FLEXIBLE-NEOPRENE IMPREGNATED AVAILABLE IN 10 FOOT LENGTHS ONLY 1-1 1/2 DIA	-----	AR
	S1053K12T	DUCT-FLEXIBLE-SILICONE IMPREGNATED AVAILABLE IN 10 FOOT LENGTHS ONLY 1-1/2 DIA	-----	AR
	S1053E20T	DUCT-FLEXIBLE-NEOPRENE IMPREGNATED AVAILABLE IN 10 FOOT LENGTHS ONLY 2-1/2 DIA	-----	AR
	S1053K20T	DUCT-FLEXIBLE-SILICONE IMPREGNATED AVAILABLE IN 10 FOOT LENGTHS ONLY 2-1/2 DIA	-----	AR
	S1053E24T	DUCT-FLEXIBLE-NEOPRENE IMPREGNATED AVAILABLE IN 10 FOOT LENGTHS ONLY 3.00 DIA	-----	AR
	S1053K24T	DUCT-FLEXIBLE-SILICONE IMPREGNATED AVAILABLE IN 10 FOOT LENGTHS ONLY 3.00 DIA	-----	AR
	S1053K24W	DUCT-FLEXIBLE-SILICONE IMPREGNATED 2 PLY 3.00 DIA	----	AR
	S1053E28T	DUCT-FLEXIBLE-NEOPRENE IMPREGNATED AVAILABLE IN 10 FOOT LENGTHS ONLY 3-1/2 DIA	-----	AR
	S1053K28W	DUCT-FLEXIBLE-SILICONE IMPREGNATED 2 PLY 3-1/2 DIA	--	AR
	S1053E32T	DUCT-FLEXIBLE-NEOPRENE IMPREGNATED AVAILABLE IN 10 FOOT LENGTHS ONLY 4.00 DIA	-----	AR
	S1053K32T	DUCT-FLEXIBLE-SILICONE IMPREGNATED AVAILABLE IN 10 FOOT LENGTHS ONLY 4.00 DIA	-----	AR
-20	S1047-1	SEAL-SPONGE RUBBER-1/4 THICK	AVAILABLE BY THE FOOT -----	AR
	S1047-2	SEAL-SPONGE RUBBER-5/16 THICK	AVAILABLE BY THE FOOT -----	AR
-21	S1055-1	CHANNEL-EXTRUDED RUBBER	AVAILABLE BY THE FOOT -----	AR
-22	S1071-1	TUBE-POLYETHYLENE-1/4 DIA	AVAILABLE BY THE FOOT -----	AR
	S1071-3	TUBE-POLYETHYLENE-3/8 DIA	AVAILABLE BY THE FOOT -----	AR
	S1071-4	TUBE-POLYETHYLENE-1/2 DIA	AVAILABLE BY THE FOOT -----	AR
	S1071-5	TUBE-POLYETHYLENE-5/8 DIA	AVAILABLE BY THE FOOT -----	AR

CONTINUED ON NEXT PAGE

Bulk Items (Cont)

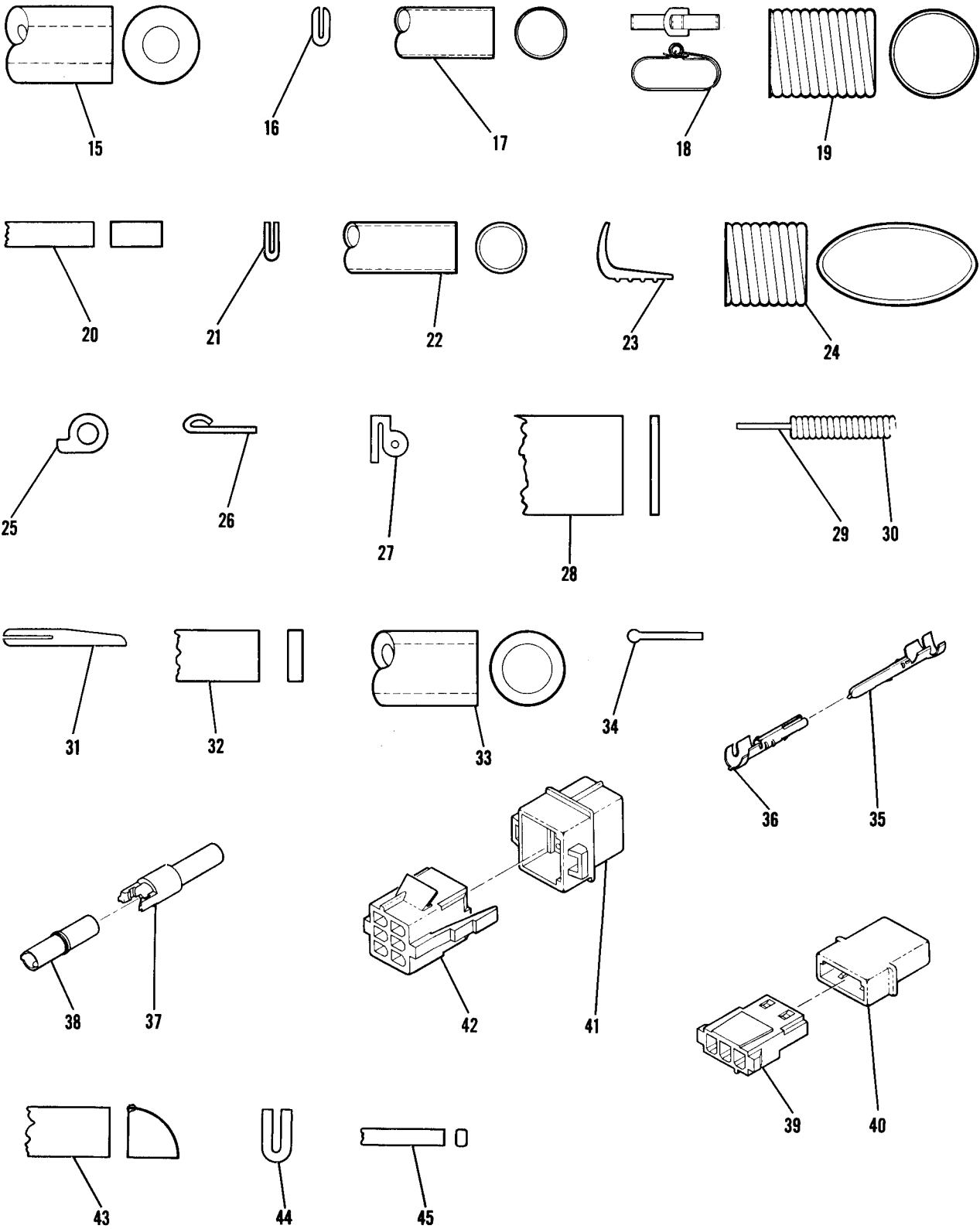


Figure 1. Miscellaneous Bulk Items



FIGURE AND INDEX NO.	PART NUMBER	DESCRIPTION							UNITS PER ASSY	USABLE ON CODE	
		1	2	3	4	5	6	7			
1	-23	S1084-1	SEAL-EXTRUDED RUBBER AVAILABLE BY THE FOOT -----							AR	
	-24	S1110ET	DUCT-OVAL-FLEXIBLE-NEOPRENE IMPREGNATED ----- AVAILABLE IN 50 INCH LENGTHS ONLY							AR	
-25	S1346-1	SEAL-SPONGE RUBBER AVAILABLE IN 12 FT LENGTHS ONLY -----							AR		
-26	S1366-1	MOULDING-EXTRUDED PLASTIC-SAND AVAILABLE BY THE FOOT ----							AR		
	S1366-2	MOULDING-EXTRUDED PLASTIC-FAWN AVAILABLE BY THE FOOT ----							AR		
-27	S1366-3	MOULDING-EXTRUDED PLASTIC-BLACK AVAILABLE BY THE FOOT ---							AR		
	S1378-1	SEAL-SPONGE RUBBER-BEIGE AVAILABLE IN 7 FT LENGTHS ONLY -							AR		
-28	S1378-2	SEAL-SPONGE RUBBER-CLOUD GRAY ----- AVAILABLE IN 7 FT LENGTHS ONLY							AR		
	S1389-1	SEALER STRIP-FELT-1.00 WIDE AVAILABLE BY THE FOOT -----							AR		
-29	S1389-2	SEALER STRIP-FELT-1-1/2 WIDE AVAILABLE BY THE FOOT -----							AR		
	S1389-3	SEALER STRIP-FELT-2.00 WIDE AVAILABLE BY THE FOOT -----							AR		
-30	S1389-4	SEALER STRIP-FELT-1-3/4 WIDE AVAILABLE BY THE FOOT -----							AR		
	S1389-5	SEALER STRIP-FELT-1-1/4 WIDE AVAILABLE BY THE FOOT -----							AR		
-31	S1389-6	SEALER STRIP-FELT-2-1/4 WIDE AVAILABLE BY THE FOOT -----							AR		
	S1389-7	SEALER STRIP-FELT-1-3/8 WIDE AVAILABLE BY THE FOOT -----							AR		
-32	S1398-1	CONTROL-PUSH PULL-WIRE AVAILABLE BY THE FOOT -----							AR		
-33	S1398-2	CONTROL-PUSH PULL-CASING AVAILABLE BY THE FOOT -----							AR		
	S1415-1	MOULDING-EXTRUDED VINYL -----							AR		
-34	S1441-1	SEAL-SPONGE RUBBER-3/8 WIDE AVAILABLE BY THE FOOT -----							AR		
	S1441-2	SEAL-SPONGE RUBBER-1/4 WIDE AVAILABLE BY THE FOOT -----							AR		
-35	S1441-3	SEAL-SPONGE RUBBER-1/2 WIDE AVAILABLE BY THE FOOT -----							AR		
	S1495-4	HOSE-RUBBER-1/4 ID AVAILABLE BY THE FOOT -----							AR		
-36	S1495-6	HOSE-RUBBER-3/8 ID AVAILABLE BY THE FOOT -----							AR		
	S1495-8	HOSE-RUBBER-1/2 ID AVAILABLE BY THE FOOT -----							AR		
-37	S1495-10	HOSE-RUBBER-5/8 ID AVAILABLE BY THE FOOT -----							AR		
	S1611-1	SEAL-EXTRUDED VINYL AVAILABLE BY THE FOOT -----							AR		
-38	S1635-1	ELECTRICAL PIN WIRE SIZE 22-18 -----							AR		
	S1635-2	ELECTRICAL PIN WIRE SIZE 18-14 -----							AR		
-39	S1635-3	ELECTRICAL PIN WIRE SIZE 18 GA-2 WIRE -----							AR		
	S1636-1	ELECTRICAL SOCKET WIRE SIZE 22-18 -----							AR		
-40	S1636-2	ELECTRICAL SOCKET WIRE SIZE 18-14 -----							AR		
	S1636-3	ELECTRICAL SOCKET WIRE SIZE 18 GA-2 WIRE -----							AR		
-41	S1637-1	HOUSING-ELECTRICAL PIN -----							AR		
	S1637-2	HOUSING-ELECTRICAL SOCKET -----							AR		
-42	S1638-1	HOUSING-ELECTRICAL SOCKET-3 CIRCUIT -----							AR		
	S1638-2	HOUSING-ELECTRICAL PIN-3 CIRCUIT -----							AR		
-43	S1640-6	HOUSING-ELECTRICAL PIN-6 CAVITY -----							AR		
	S1640-9	HOUSING-ELECTRICAL PIN-9 CAVITY -----							AR		
-44	S1640-12	HOUSING-ELECTRICAL PIN-12 CAVITY -----							AR		
	S1640-15	HOUSING-ELECTRICAL PIN-15 CAVITY -----							AR		
-45	S1641-6	HOUSING-ELECTRICAL SOCKET-6 CAVITY -----							AR		
	S1641-9	HOUSING-ELECTRICAL SOCKET-9 CAVITY -----							AR		
-46	S1641-12	HOUSING-ELECTRICAL SOCKET-12 CAVITY -----							AR		
	S1641-15	HOUSING-ELECTRICAL SOCKET-15 CAVITY -----							AR		
-47	S1116	SEAL-NEOPRENE AVAILABLE IN 12 FOOT LENGTH ONLY -----							AR		
-48	S1356	SEAL-EXTRUDED RUBBER AVAILABLE BY THE FOOT -----							AR		
-49	S1614	LACING-KOROSEAL AVAILABLE BY THE FOOT -----							AR		

Placards (Cont)

***ABCDEFGHIJKLMN
OPQRSTUVWXYZ
-1234567890***

**ABCDEFGHIJKLMN
OPQRSTUVWXYZ
-1234567890**

**ABCDEFGHIJKLMN
OPQRSTUVWXYZ
-1234567890**

Figure 2. (Sheet 1 of 5) Placards, Nameplates & Exterior Markings

Placards (Cont)

S1500 TYPE STENCILS * FOR SLANT GOTHIC LETTERS & NUMERALS

LETTERS AND NUMERALS ARE AVAILABLE IN 10 INCH AND 12 INCH HEIGHTS IN EITHER LEFT HAND OR RIGHT HAND SLANT.

LETTERS AVAILABLE ARE A THRU Z.
NUMERALS AVAILABLE ARE 0 THRU 9.

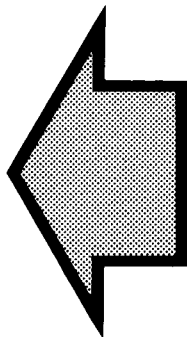
TO ORDER:

EACH LETTER OR NUMERAL WANTED MUST BE ORDERED BY GIVING BASIC PART NUMBER, FOLLOWED BY HEIGHT DESIRED, FOLLOWED BY SPECIFIC LETTER OR NUMERAL AND THE DESIGNATOR L OR R TO INDICATE LEFT OR RIGHT HAND SLANT.

EXAMPLE:

S1500 - 10 - M L

BASIC PART NO. | HEIGHT WANTED | LETTER WANTED | DIRECTION OF SLANT



S1600 TYPE STENCILS * FOR VERTICAL GOTHIC LETTERS & NUMERALS

LETTERS AND NUMERALS ARE AVAILABLE IN 6 INCH, 12 INCH AND 20 INCH HEIGHTS. LETTERS AVAILABLE ARE A THRU Z. NUMERALS AVAILABLE ARE 0 THRU 9.

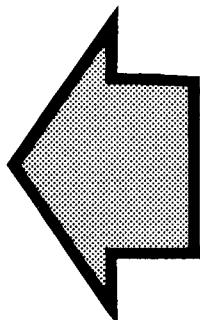
TO ORDER:

EACH LETTER OR NUMERAL WANTED MUST BE ORDERED BY GIVING BASIC PART NUMBER, FOLLOWED BY HEIGHT DESIRED, FOLLOWED BY SPECIFIC LETTER OR NUMERAL WANTED.

EXAMPLE:

S1600 - 20 - N

BASIC PART NO. | HEIGHT WANTED | LETTER WANTED



* EACH STENCIL PROVIDES FOR EITHER
BACKGROUND OR CENTER MASK.

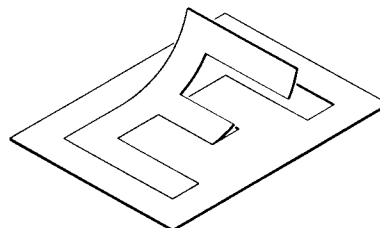
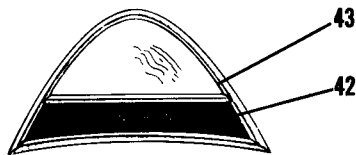
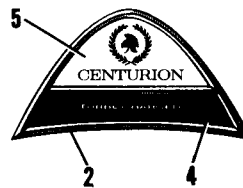
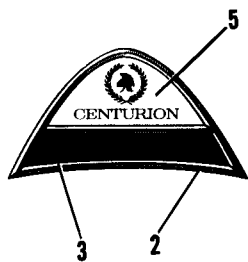


Figure 2. (Sheet 2 of 5) Placards, Nameplates & Exterior Markings

Placards

CESSNA



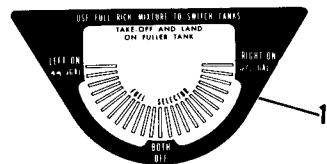
BEFORE TAKE OFF
 1. SET TABS
 2. FUEL SELECTOR FULL TANK
 3. COWL FLAPS OPEN
 4. M. A. RICH
 5. PROPELLER FULL IN
 6. FLAPS 0-20

BEFORE LANDING
 1. GEAR DOWN
 2. FUEL SELECTOR FULL TANK
 3. COWL FLAPS CLOSED
 4. MIXTURE RICH
 5. PROPELLER FULL IN
 6. FLAPS DOWN

ENGINE OIL
 ABOVE 40°F USE SAE 50 - BELOW 40°F USE SAE 30
 OIL CHANGED: TACH HOURS DATE
 OIL USED:
 USE DETERGENT OIL ONLY
THAT COMPLIES WITH CONTINENTAL SPEC. MMS-24A
 CESSNA DEALERS HAVE LIST OF APPROVED OILS

ENGINE OIL
 ABOVE 40°F USE SAE 50
 BELOW 40°F USE SAE 10W30 OR SAE 30
 OIL CHANGED: TACH HOURS DATE
 OIL USED:
 USE ONLY OIL THAT COMPLIES WITH CONTINENTAL SPEC. MMS-24A
 CESSNA DEALERS HAVE LIST OF APPROVED OILS

ALTERNATE STATIC AIR
 ← CLOSED OPEN →



USE (RED) (MIL-H-5606)
 PETROLEUM BASE
 HYDRAULIC FLUID
 ONLY.
 CHECK LEVEL EVERY
 25 HOURS.

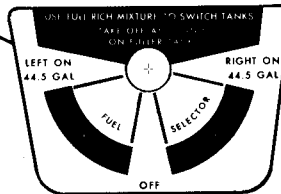
ALTERNATE STATIC AIR
 ← CLOSED OPEN →

CESSNA AIR OIL SHOCK STRUT
 CESSNA AIRCRAFT COMPANY, WICHITA, KANSAS
 FILING INSTRUCTIONS

- REMOVE VALVE CAP AND RELEASE ALL AIR
- REMOVE VALVE HOUSING ASSEMBLY
- COMPRESS STRUT COMPLETELY (STOPS IN CONTACT WITH OUTER BARREL HOUSING)
- OIL LEVEL
 - FLUID USED SHOULD COMPLY WITH SPECIFICATION MIL-O-2009
 - FILL STRUT TO BOTTOM OF VALVE INSTALLATION HOLE
 - MAINTAIN OIL LEVEL AT BOTTOM OF VALVE INSTALLATION HOLE
- FULLY EXTEND STRUT
- REPLACE VALVE HOUSING ASSEMBLY
- WITH STRUT FULLY EXTENDED AND NOSE WHEEL CLEAR OF GROUND, INFLATE STRUT TO 45 PSI

TIRE PRESSURE
 MAIN (600x6) 42 PSI
 NOSE (500x5) 45 PSI

TIRE PRESSURE
 MAIN (600x6) 42 PSI
 NOSE (500x5) 49 PSI



MANUAL PRIMER

MAX. ALLOWABLE MANIFOLD PRESSURE & CLIMB FUEL FLOW

ALT. FT.	MAN. PRESS. IN. HG.	FUEL FLOW GPH
S.L. to 19,000	32.5	28
20,000	31.5	26
22,000	29.5	24
24,000	27.5	22
26,000	25.5	20
28,000	23.5	19
30,000	21.5	18
75% POWER CLIMB - 2500 RPM		
27.5 M.P. - 20 GPH		

MAX. ALLOWABLE MANIFOLD PRESSURE & CLIMB FUEL FLOW

ALT. FT.	MAN. PRESS. IN. HG.	FUEL FLOW GPH
S.L. to 19,000	32.5	28
20,000	31.5	26
22,000	29.5	24
24,000	27.5	22
26,000	25.5	20
28,000	23.5	19
30,000	21.5	18
75% POWER CLIMB - 2500 RPM		
27.5 M.P. - 20 GPH		

MANUAL PRIMER

M P H

Figure 2. (Sheet 3 of 5) Nameplates, Placards, & Exterior Marking Installation

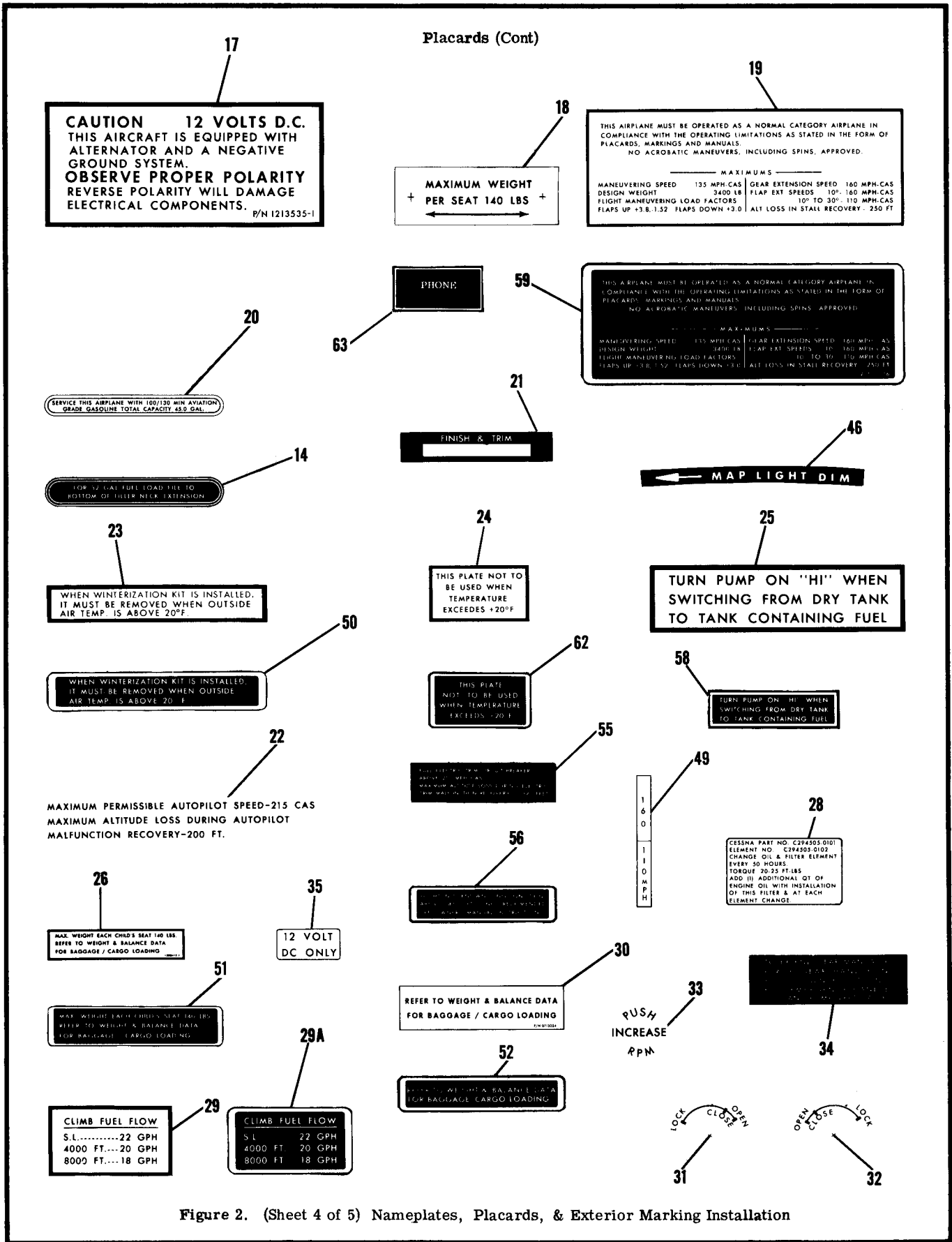


Figure 2. (Sheet 4 of 5) Nameplates, Placards, & Exterior Marking Installation

Placards (Cont)

TURBO-SYSTEM

36



41

39



CENTURION

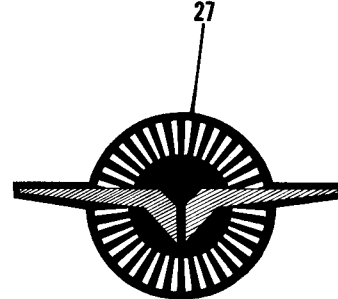
37



40

CESSNA

47



27

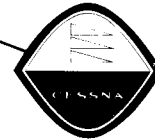
CESSNA

48

CESSNA

60A

61



38

CESSNA

60

45



CENTURION

44

Figure 2. (Sheet 5 of 5) Nameplates, Placards, & Exterior Markings Installation



FIGURE AND INDEX NO.	PART NUMBER	DESCRIPTION	1 2 3 4 5 6 7						UNITS PER ASSY	USABLE ON CODE
2 -		NAMEPLATES, PLACARDS & EXTERIOR MARKINGS INSTALLATION -----							NP	
- 1	0500248-1	NAMEPLATE -----							2	
- 2	0700742-1	BASE-PLACARD -----							2	
- 3	0700745-1	EMBLEM-CONTROL WHEEL -----							2	
- 4	0700745-2	EMBLEM-CONTROL WHEEL -----							2	
- 5	0700705-1	EMBLEM-CONTROL WHEEL -----							2	
- 6	S1397-3	PLACARD-ENGINE OIL -----							1	
- 7	S1397-4	PLACARD-ENGINE OIL -----							1	
- 8	1213230-3	PLACARD-CHECKLIST -----							1	E
	1205016-1	PLACARD-CHECK LIST -----							1	F
- 9	1280007-1	PLACARD-HYDRAULIC FLUID RESEKVOIR -----							1	
-10	1200678-2	PLACARD-ALTERNATE STATIC SOURCE -----							1	E
	0505005-1	PLACARD-ALTERNATE STATIC SOURCE -----							1	F
-11	1216015-9	PLACARD-FUEL SELECTOR VALVE -----							1	C
	1216015-13	PLACARD FUEL SELECTOR VALVE -----							1	K
-11A	1205031-2	PLACARD ASSEMBLY-FUEL SELECTOR VALVE -----							1	F
-12	1243001-1	PLACARD-NOSE GEAR SHOCK STRUT -----							1	E
	1243001-2	PLACARD-NOSE GEAR SHOCK STRUT -----							1	F
-13	1213532-1	PLACARD-TIRE PRESSURE -----							1	F
-13A	1205038-2	PLACARD-TIRE PRESSURE -----							1	F
-14	1205036-1	PLACARD-32 GALLON FUEL CELL -----							1	F
-15	1200673-1	PLACARD-PRIMER PUMP -----							1	F
-16	1213523-1	PLACARD-POWER SETTING LIMITATIONS -----							1	B
-16A	1205027-1	PLACARD-POWER SETTING LIMITATIONS -----							1	J
-17	1213535-1	PLACARD-BATTERY BOX POLARITY -----							2	E
	1205024-1	PLACARD-BATTERY BOX POLARITY -----							2	F
-18	1200518-1	PLACARD -----							1	
-19	S1656-9	PLACARD-OPERATIONAL LIMITATIONS -----							1	E
-20	1200745-1	PLACARD ASSEMBLY -----							1	
-21	0713047	PLATE-FINISH & TRIM -----							1	
		ATTACHING PARTS								
	AN535-2-3	SCREW -----							2	
		-----*								
-22	0713750-4	PLACARD ASSEMBLY -----							1	
-23	0700319-13	PLACARD-WINTERIZATION -----							1	G
-24	0700319-12	PLACARD-WINTERIZATION -----							1	E
-25	1213484-1	PLACARD-TANK SELECTION -----							1	E
-26	1200412-1	PLACARD-BAGGAGE -----							1	E
-27	0800153-1	PLACARD-INSIGNIA -----							2	
-28	1250410-3	PLACARD-OIL FILTER -----							1	
-29	1200701-1	PLACARD-CLIMB FUEL FLOW -----							1	G
-29A	1205027-2	PLACARD-CLIMB FUEL FLOW -----							1	H
-30	0713224-1	PLACARD-BAGGAGE -----							AR	E
-31	0700166-1	PLACARD-DOOR HANDLE LH -----							1	
-32	0700166-2	PLACARD-DOOR HANDLE RH -----							1	
-33	0700184-1	DECAL-PROP CONTROL KNOB -----							1	
-34	1213209-2	PLACARD-AUXILIARY HYDRAULIC -----							1	E
	1205018-1	PLACARD-AUXILIARY HYDRAULIC -----							1	F
-35	0500130-1	PLACARD-GROUND SERVICE PLUG -----							1	
-36	0700179-3	PLACARD-EXTERIOR STYLING -----							2	
-37	5200018-3	PLACARD USED ON AIRPLANES WITH ALASKAN PAINT -----							2	
		SCHEME ONLY.								
	5200018-1	PLACARD -----							2	
-38	S1714-1	PLACARD-ALLIANCE FOR PROGRESS -----							1	
-39	S1713-1	PLACARD-HAND OF FRIENDSHIP -----							1	
-40	0700178-5	PLACARD GLOVE BOX -----							1	C
-41	0713254-5	EMBLEM-GLOVE BOX -----							1	O
-42	0713255-4	EMBLEM-CONTROL WHEEL -----							1	K
-43	0713256-1	PLACARD-CONTROL WHEEL -----							1	K
-44	1205013-12	EXTERIOR INSIGNIA -----							1	D
-45	1205012-1	EXTERIOR INSIGNIA -----							1	D
-46	1205004-1	PLACARD-MAPLIGHT DIM -----							1	D
-47	1205010-1	NAME PLATE-LH -----							1	D
-48	1205010-2	NAME PLATE-RH -----							1	D
-49	0705001-2	PLACARD-FLAP INDICATOR -----							1	K
-50	0505009-1	PLACARD-WINTERIZATION -----							1	H
-51	1205023-2	PLACARD-BAGGAGE -----							1	F

CONTINUED ON NEXT PAGE



FIGURE AND INDEX NO.	PART NUMBER	DESCRIPTION							UNITS PER ASSY	USABLE ON CODE
		1	2	3	4	5	6	7		
2 -52	1205015-1	PLACARD-BAGGAGE -----							AR	F
-53	1205030-3	PLACARD-CONTROL WHEEL -----							1	F
-54	1205030-4	EMBLEM-CONTROL WHEEL -----							1	F
-55	1205029-1	PLACARD-ELECTRIC TRIM -----							1	D
-56	1205032-1	PLACARD-ICING CONDITIONS -----							1	D
-57	1205026-1	PLACARD-FUEL PRIMER -----							1	F
-58	1205019-1	PLACARD-FUEL PUMP -----							1	F
-59	1205001-16	PLACARD-OPERATIONAL LIMITS -----							1	F
-60	1205010-3	NAMEPLATE -----							1	F
-60A	1205010-4	NAMEPLATE -----							1	F
-61	1205035-1	PLACARD -----							1	F
-62	1205043-1	PLACARD-COWL COVER -----							1	H
-63	1205037-1	PLACARD-PHONE JACK -----							1	F
-64	1205042-1	PLACARD-ALTERNATE STATIC SOURCE -----							1	F
-65	120541-1	PLACARD -----							1	F
	S1500	STENCILS-SLANT LETTERS & NUMERALS SEE SHEETS 1 & 2 -----							AR	
	S1600	STENCILS-VERTICAL LETTERS & NUMERALS SEE SHEETS 1 & 2 -----							AR	
		A---210 SERIAL 21058819 & ON								
		B---T210 SERIAL T210-0198 THRU T210-0392								
		C---210 SERIAL 21058819 THRU 21058936								
		T210 SERIAL T210-0198 THRU T210-0307								
		D---210 SERIAL 21058937 & ON								
		T210 SERIAL T210-0308 & ON								
		E---210 SERIAL 21058819 THRU 21059061								
		T210 SERIAL T210-0198 THRU T210-0392								
		F---210 SERIAL 21059062 & ON								
		T210 SERIAL T210-0393 & ON								
		G---210 SERIAL 21058819 THRU 21059061								
		H---210 SERIAL 21059062 & ON								
		J---T210 SERIAL T210-0393 & ON								
		K---210 SERIAL 21058937 THRU 21059061								
		T210 SERIAL T210-0308 THRU T210-0392								

FIGURE AND INDEX NO.	PART NUMBER	DESCRIPTION	UNITS PER ASSY	USABLE ON CODE
		1 2 3 4 5 6 7		
3 -		WING ASSEMBLIES COMPLETE LH -----	NP	
		WING ASSEMBLIES COMPLETE RH -----	NP	
		ATTACHING PARTS -----		
- 1	AN4-47A	BOLT -----	2	
- 2	1210704-1	DOWEL PIN-WING ATTACH UPPER -----	1	
- 3	1210704-2	DOWEL PIN-WING ATTACH LOWER -----	1	
- 4	NAS679A4	NUT -----	2	
- 5	AN960-416	WASHER -----	4	
- 6	1713259-1	RETAINER-DOWEL PIN -----	4	
- 7	AN23A	BOLT -----	1	
- 8	AN960-816	WASHER -----	1	
- 9	MS20365-820C	NUT -----	1	
		*-----		
	SEE FIG 4	WING STRUCTURE ASSEMBLY -----	1	
-10	SEE FIG 7	AILERON INSTALLATION -----	1	
-11	SEE FIG 8	FLAP INSTALLATION -----	1	
-12	SEE FIG 131	COURTESY LIGHT INSTALLATION -----	1	
-13	1221111-201	TIP-WING LH -----	1	
	1221111-200	TIP-WING RH -----	1	
		ATTACHING PARTS -----		
	S1021Z8-8	SCREW -----	14	
		*-----		
	NAS697A08	NUT ATTACH WING LIGHT -----	2	
	1221111-7	SUPPORT ASSEMBLY-LH -----	1	
	1221111-8	SUPPORT ASSEMBLY-RH -----	1	
	NAS697A08	NUTPLATE -----	1	
-14	1221096-3	DOOR ACCESS -----	3	
		ATTACHING PARTS -----		
	AN507-632R8	SCREW -----	6	
		*-----		
-15		DELETED, NOT PROCURABLE -----		
-16	1221050-3	PLATE-COVER -----	5	
		ATTACHING PARTS -----		
	AN507-1032R7	SCREW -----	4	
		*-----		
-17	1221116-3	DOOR LH-ACCESS -----	1	
		ATTACHING PARTS -----		
	AN507-1032R7	SCREW -----	8	
		*-----		
-18	1221093-3	DOOR LH-ACCESS -----	3	
	1221093-3	DOOR RH-ACCESS -----	4	
		ATTACHING PARTS -----		
	AN507-1032R7	SCREW -----	6	
		*-----		
-19	S225-4	PLATE-INSPECTION -----	2	
		ATTACHING PARTS -----		
	S1022Z8-6	SCREW -----	6	
		*-----		
-20	1221091-3	DOOR-ACCESS -----	1	
		ATTACHING PARTS -----		
	AN507-1032R7	SCREW -----	8	
		*-----		
	1221059-1	LIGHT ASSEMBLY -----	2	
-21	1221059-2	BRACKET -----	2	
-22	1221059-3	PLATE -----	1	
-23	0523118-1	LIGHT -----	1	
-24	S1021Z6-8	SCREW -----	4	
-25	NAS488-1-3	NUT -----	4	
		ATTACHING PARTS -----		
-26	0713124-1	SPRING -----	3	
-27	AN515-8R24	SCREW -----	3	
		*-----		
	1221112-1	LIGHT ASSEMBLY-NAVIGATION LH WING WHEN EXHAUSTED -----	1	E
		USE C622001-0202 -----		
	1221112-2	LIGHT ASSEMBLY-NAVIGATION RH WING WHEN EXHAUSTED -----	1	E
		USE C622001-0202 -----		
		ATTACHING PARTS -----		
-28	S1021Z8-6	SCREW -----	2	
		*-----		
-29	1221112-3	SHIELD LH -----	1	
	1221112-4	SHIELD RH -----	1	
-30	30-0009-23	BASE ASSEMBLY GMC -----	1	
-31	A1280-2	LENS-RED LH -----	1	
	A1280-3	LENS-GREEN RH -----	1	
		*-----		
		CONTINUED ON NEXT PAGE		

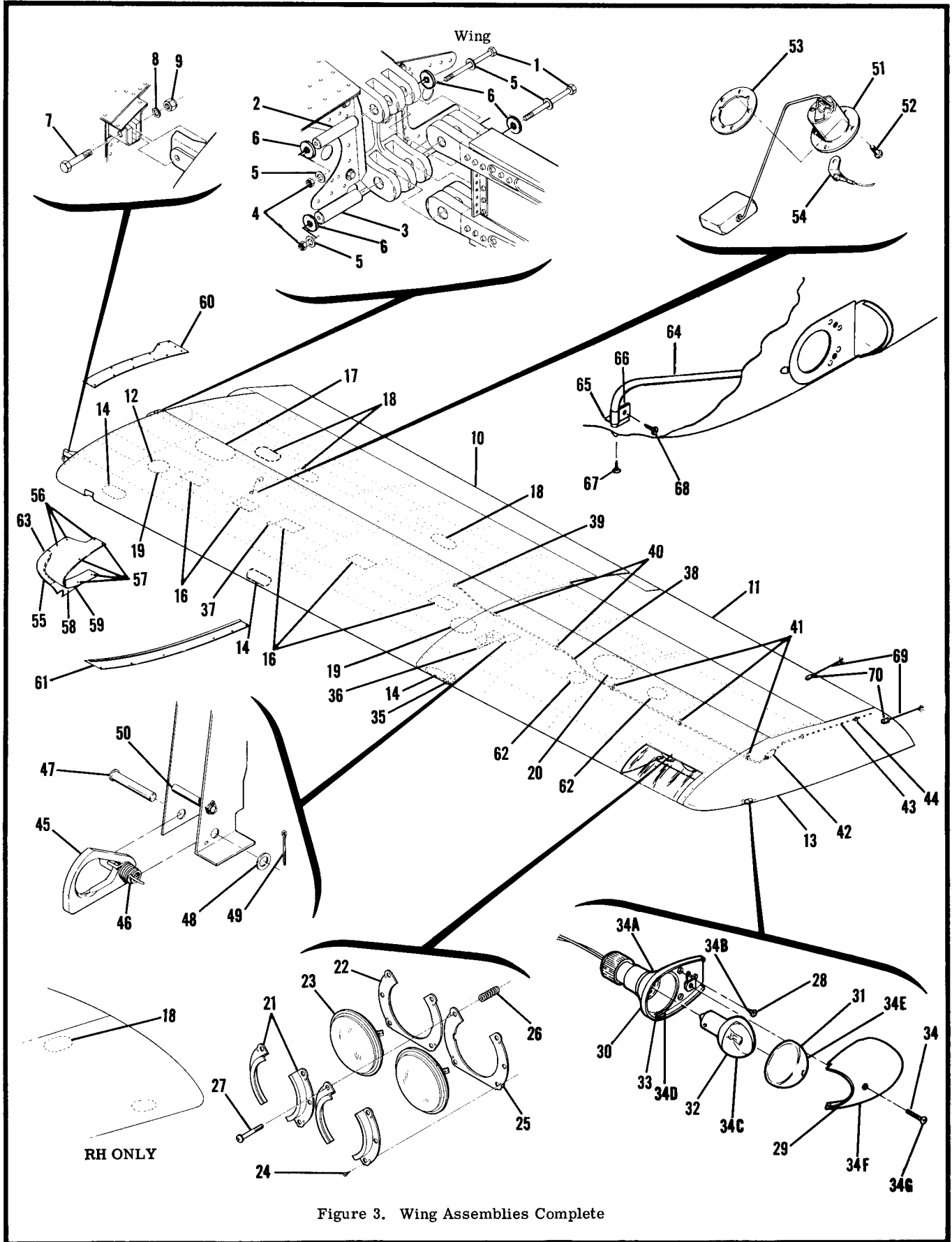


Figure 3. Wing Assemblies Complete

FIGURE AND INDEX NO.	PART NUMBER	DESCRIPTION	UNITS PER ASSY	USABLE ON CODE
		1 2 3 4 5 6 7		
3 -32	A7512-12	BULB -----	1	
-33	A1257A	GASKET -----	1	
-34	AN507-632R12	SCREW -----	1	
-34A	C622001-0202	LIGHT BASE ASSEMBLY-WING NAVIGATION -----	2	F
		ATTACHING PARTS		
-34B	S1021Z8-6	SCREW -----	2	
		---*---		
-34C	A7512-12	BULB-NAVIGATION LIGHT 12 VOLT GMC -----	2	F
-34D	A1257A	GASKET GMC -----	2	F
-34E	A1280-2	LENS-NAVIGATION LIGHT LH RED GMC -----	1	F
	A1280-3	LENS-NAVIGATION LIGHT RH GREEN GMC -----	1	F
-34F	1221112-3	SHIELD-LH -----	1	F
	1221112-4	SHIELD-RH -----	1	F
		ATTACHING PARTS		
-34G	AN507-632R12	SCREW -----	2	
		---*---		
-35	S1672-1	STALL WARNING UNIT-LH WING -----	1	
	S1672-2	STALL WARNING UNIT-LH WING HEATED -----	1	
		ATTACHING PARTS		
	S1021Z8-6	SCREW -----	4	
	NAS395-17-3	NUT -----	4	
		---*---		
-36	SEE FIG 103	PITOT TUBE -----	1	
-37	1200029-6	JACK POINT ASSEMBLY -----	1	A
	1200028-1	JACK POINT ASSEMBLY -----	1	B
		ATTACHING PARTS		
	AN520-10R12	SCREW -----	2	A
	AN520-10R12	SCREW -----	3	B
		---*---		
-38	1200406-83	TUBE ASSEMBLY-FUEL VENT LH -----	1	
	1200406-84	TUBE ASSEMBLY-FUEL VENT RH -----	1	
-39	AN815-6D	UNION -----	1	
-40	MS35489-125	GROMMET -----	2	
-41	S1592-28	CLAMP -----	3	
		ATTACHING PARTS		
	S1021Z6-8	SCREW -----	1	
		---*---		
-42	1422051-1	VALVE-FUEL VENT -----	1	
-43	1200406-85	TUBE ASSEMBLY -----	1	
		ATTACHING PARTS		
-44	AN742D6	CLAMP -----	1	
	AN515-8R6	SCREW -----	1	
		---*---		
-45	0523615-1	RING ASSEMBLY-MOORING -----	1	
-46	0523616-1	SPRING-RING -----	1	
		ATTACHING PARTS		
-47	MS20392-2C39	PIN -----	1	
-48	AN960-10L	WASHER -----	1	
-49	MS24665-132	COTTER PIN -----	1	
		---*---		
-50	MS20392-1C39	PIN-STOP -----	1	
	AN960-4	WASHER -----	1	
	MS24665-132	COTTER PIN -----	1	
-51	C668002-0101	TRANSMITTER LH -----	1	
	C668002-0102	TRANSMITTER RH -----	1	
		ATTACHING PARTS		
-52	MS20074-03-05	BOLT -----	5	
	S350	WASHER -----	5	
	AN960-10L	WASHER -----	5	
		---*---		
-53	S1588-1	GASKET -----	1	
-54	0413247	GROUND STRAP -----	1	
	AN515-8R6	SCREW -----	1	
	NAS679A08	NUT -----	1	
-55	1213710-1	FAIRING ASSEMBLY-WING LH -----	1	
	1213710-2	FAIRING ASSEMBLY-WING RH -----	1	
		ATTACHING PARTS		
-56	S1022Z8-8	SCREW -----	3	
-57	AN509-10R8	SCREW -----	4	
	S290-1032	WASHER -----	4	
-58	S1021Z10-10	SCREW -----	1	
-59	AN509-10R10	SCREW -----	1	
		---*---		
-60	1221105-5	FILLET-CENTER UPPER LH -----	1	
	1221105-6	FILLET-CENTER UPPER RH -----	1	
		ATTACHING PARTS		
	S1022Z8-8	SCREW -----	12	
	S290-832	WASHER -----	12	
		---*---		

FIGURE AND INDEX NO.	PART NUMBER	DESCRIPTION	UNITS PER ASSY	USABLE ON CODE
3 -61	1221105-7	FILLET ASSEMBLY-CENTER LOWER LH -----	1	
	1221105-8	FILLET ASSEMBLY-CENTER LOWER RH -----	1	
	S1022Z8-8	ATTACHING PARTS		
	S290-832	SCREW -----	6	
		WASHER -----	6	
		-----*		
-62	S225-4F	PLATE-INSPECTION -----	2	C D
	1222012-1	PLATE-INSPECTION -----	2	
		ATTACHING PARTS		
	S1022Z8-6	SCREW -----	6	
		-----*		
-63	1213710-9	RETAINER ASSEMBLY-LH -----	1	
	1213710-10	RETAINER ASSEMBLY-RH -----	1	
		ATTACHING PARTS		
	S1022Z8-8	SCREW -----	4	
		-----*		
	A6195-8Z1	NUTPLATE TIN -----	2	
	A6162-8Z1	NUTPLATE TIN -----	1	
-64	1221201-3	DETECTOR-LIGHT LH -----	1	
	1221201-4	DETECTOR-LIGHT RH -----	1	
		ATTACHING PARTS		
-65	S1154-1	BRACKET -----	1	
-66	S1155-4	CLAMP -----	1	
-67	S1021Z8-6	SCREW -----	1	
-68	S1021Z8-8	SCREW -----	1	
	NAS446-4	NUTPLATE -----	1	
		-----*		
-69	5169	STATIC DISCHARGER FERY -----	4	G H
	C592001-0101	STATIC DISCHARGER -----	4	
		ATTACHING PARTS		
-70	AN515-8R8	SCREW -----	2	G G G H H H
	AN936A8	WASHER -----	2	
	NAS1329A08K75	NUT -----	2	
	AN515-6R8	SCREW -----	2	
	AN936A6	NUT -----	2	
	NAS1329A06K75	NUT -----	2	
		-----*		
		A---210 SERIAL 21058819 THRU 21058891 T210 SERIAL T210-0198 THRU T210-0279		
		B---210 SERIAL 21058892 & ON T210 SERIAL T210-0280 & ON		
		C---210 SERIAL 21058819 THRU 21058936 T210 SERIAL T210-0198 THRU T210-0307		
		D---210 SERIAL 21058937 & ON T210 SERIAL T210-0308 & ON		
		E---210 SERIAL 21058819 THRU 21058974 T210 SERIAL T210-0198 THRU T210-0344		
		F---210 SERIAL 21058975 & ON T210 SERIAL T210-0345 & ON		
		G---210 SERIAL 21058819 THRU 21058963 T210 SERIAL T210-0198 THRU T210-0334		
		H---210 SERIAL 21058964 & ON T210 SERIAL T210-0335 & ON		



FIGURE AND INDEX NO.	PART NUMBER	DESCRIPTION							UNITS PER ASSY	USABLE ON CODE
		1	2	3	4	5	6	7		
4 -	1221001-13	*	WING STRUCTURE ASSEMBLY-LH	ORDER 1221001-13	-----				1	A
	1221001-12		WING STRUCTURE ASSEMBLY-LH	-----					1	B
	1221001-15		WING STRUCTURE ASSEMBLY-LH	-----					1	D
	1221001-16		WING STRUCTURE ASSEMBLY-LH	-----					1	J
			WING STRUCTURE ASSEMBLY-LH	-----					1	K
			WING STRUCTURE ASSEMBLY-RH	ORDER 1221002-13	-----				1	A
	1221002-13	*	WING STRUCTURE ASSEMBLY RH	-----					1	B
	1221002-12		WING STRUCTURE ASSEMBLY-RH	-----					1	D
	1221002-16		WING STRUCTURE ASSEMBLY-RH	-----					1	J
	1221002-15		WING STRUCTURE ASSEMBLY-RH	-----					1	K
- 1			LEADING EDGE ASSEMBLIES & COMPONENTS	-----					1	
- 2	SEE FIG 5		SPAR ASSEMBLY-WING	-----					1	
- 3	1221040-3		RIB ASSEMBLY-WING ROOT LH	-----					1	A
	1221040-71		RIB ASSEMBLY-WING ROOT LH	-----					1	D
	1221040-67		RIB ASSEMBLY-WING ROOT LH	-----					1	F
	1221040-4		RIB ASSEMBLY-WING ROOT RH	-----					1	G
	1221040-72		RIB ASSEMBLY-WING ROOT RH	-----					1	D
	1221040-68		RIB ASSEMBLY-WING ROOT RH	-----					1	F
- 4	1221040-29		STIFFENER ASSEMBLY UPPER LH	-----					1	
	1221040-30		STIFFENER ASSEMBLY UPPER RH	-----					1	
- 4A	1262018-1		BRACKET-FLAP SUPPORT UPPER LH	-----					1	F
	1262018-2		BRACKET-FLAP SUPPORT LOWER LH	-----					1	F
- 4B	1262034-1		BRACKET HALF-FLAP PULLEY LH FWD	-----					1	F
	1262034-2		BRACKET HALF-FLAP PULLEY RH FWD	-----					1	F
- 4C	1262034-3		BRACKET HALF-FLAP PULLEY LH AFT	-----					1	F
	1262034-4		BRACKET HALF-FLAP PULLEY RH AFT	-----					1	F
- 5	A6191-8Z3		NUTPLATE TIN	-----					2	
- 6	1221040-27		STIFFENER ASSEMBLY LOWER LH	-----					1	G
	1222030-1		STIFFENER ASSEMBLY LOWER LH	-----					1	H
	1221040-28		STIFFENER ASSEMBLY LOWER RH	-----					1	G
	1222030-2		STIFFENER ASSEMBLY-LCWER RH	-----					1	H
- 7	A6191-8Z3		NUTPLATE TINN	-----					5	
- 7A	NAS682A08		NUTPLATE	-----					2	
- 8	1221040-25		REINFORCEMENT-SPAR CUTOUT LOWER LH	-----					1	
	1221040-26		REINFORCEMENT-SPAR CUTOUT LOWER RH	-----					1	
- 8A	1221202-1		REINFORCEMENT-LH	-----					1	H
	1221202-2		REINFORCEMENT-RH	-----					1	H
- 9	1221040-59		REINFORCEMENT-SPAR CUTOUT UPPER LH	-----					1	
	1221040-60		REINFORCEMENT-SPAR CUTOUT UPPER RH	-----					1	
	A61948Z3		NUT TIN	-----					1	
-10	1221040-17		GUSSET LH	-----					1	
	1221040-18		GUSSET RH	-----					1	
-11	1221047-1		GUSSET LH	-----					2	
	1221047-1		GUSSET RH	-----					4	
-12	1221047-3		GUSSET LH	-----					14	
	1221047-3		GUSSET RH	-----					16	
-13	1221047-5		GUSSET	-----					1	
-14	1221055-63		STRINGER UPPER LH	-----					1	
	1221055-64		STRINGER UPPER RH	-----					1	
-15	1221055-65		STRINGER UPPER LH	-----					1	
	1221055-66		STRINGER UPPER RH	-----					1	
-16	1221055-67		STRINGER UPPER LH	-----					1	
	1221055-68		STRINGER UPPER RH	-----					1	
-17	1221055-69		STRINGER LH	-----					10	
	1221055-70		STRINGER RH	-----					10	
-18	1221055-81		STRINGER LH	-----					3	
	1221055-82		STRINGER RH	-----					3	
-19	1221055-101		STRINGER LOWER LH	-----					2	
	1221055-102		STRINGER LOWER RH	-----					2	
-20	1221055-87		STRINGER UPPER LH	-----					1	
	1221055-88		STRINGER UPPER RH	-----					1	
-21	1221055-103		STRINGER LOWER LH	-----					1	
	1221055-104		STRINGER LOWER RH	-----					1	
-22	1221055-89		STRINGER UPPER LH	-----					1	
	1221055-90		STRINGER UPPER RH	-----					1	
-23	1221055-105		STRINGER LOWER RH	-----					1	
-24	1221055-106		STRINGER LOWER RH	-----					1	

CONTINUED ON NEXT PAGE

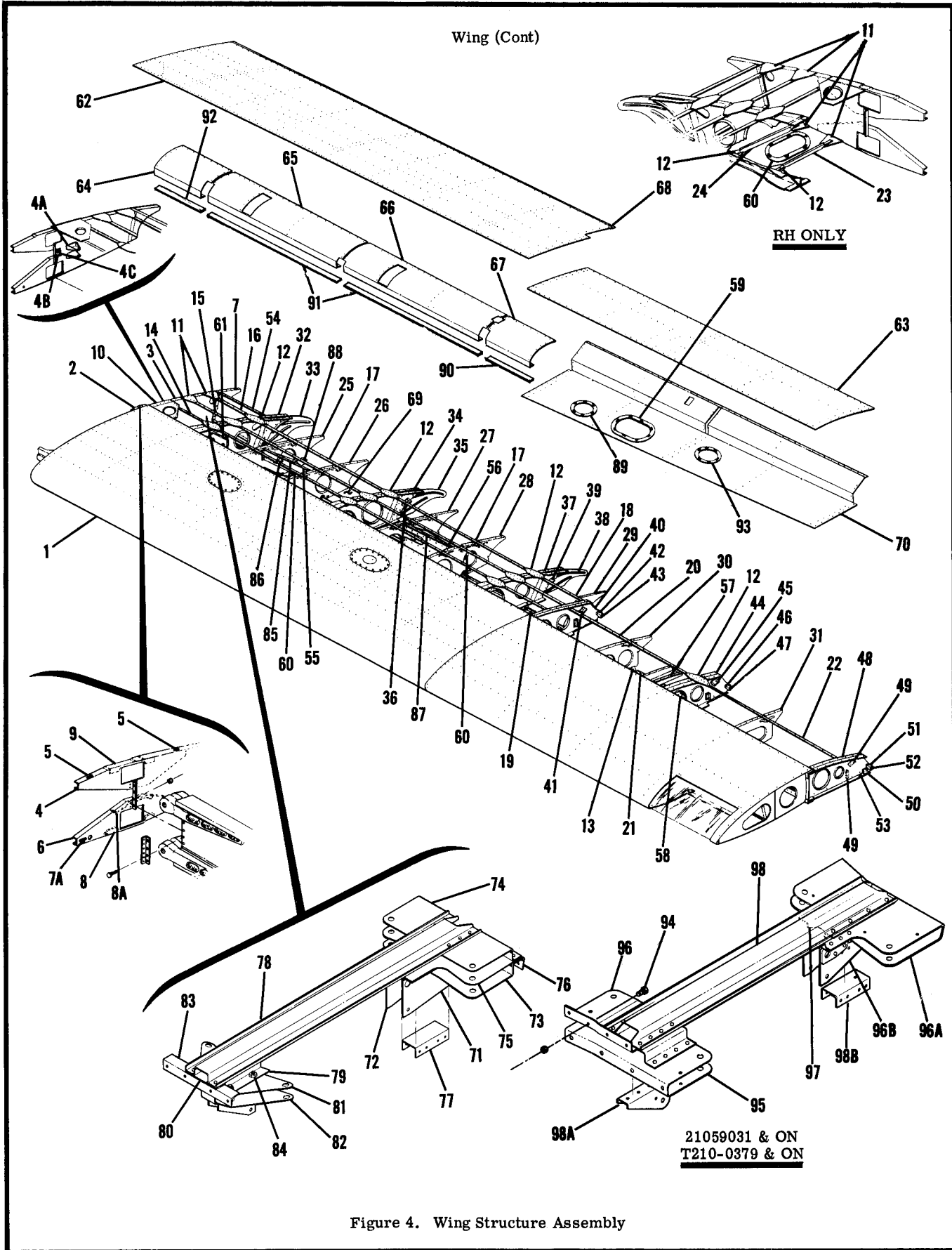


Figure 4. Wing Structure Assembly



FIGURE AND INDEX NO.	PART NUMBER	DESCRIPTION	UNITS PER ASSY	USABLE ON CODE
4 -25	1221061-1	RIB LH WHEN EXHAUSTED USE 1221138-5 -----	1	E
	1221138-5	RIB LH -----	1	F
	1221061-2	RIB RH WHEN EXHAUSTED USE 1221138-6 -----	1	E
	1221138-6	RIB RH -----	1	F
-26	1221061-3	RIB LH -----	1	
	1221061-4	RIB RH -----	1	
-27	1221061-5	RIB LH WHEN EXHAUSTED USE 1221138-7 -----	1	E
	1221138-7	RIB ASSEMBLY-LH -----	1	F
	1221061-6	RIB RH WHEN EXHAUSTED USE 1221138-8 -----	1	E
	1221138-8	RIB ASSEMBLY-RH -----	1	F
-28	1221061-7	RIB LH -----	1	
	1221061-8	RIB RH -----	1	
-29	1221092-5	RIB ASSEMBLY LH -----	1	
	1221092-3	DOUBLER -----	1	
	1221092-6	RIB ASSEMBLY RH -----	1	
	1221092-4	DOUBLER -----	1	
-30	1221061-9	RIB LH -----	1	
	1221061-10	RIB RH -----	1	
-31	1221061-11	RIB LH -----	1	
	1221061-12	RIB RH -----	1	
-32	1221064-201	RIB ASSEMBLY-FLAP TRACK LH STA. 40.00 -----	1	E
	1221064-203	RIB ASSEMBLY-FLAP TRACK LH STA. 40.00 -----	1	J
	1221064-31	RIB ASSEMBLY-FLAP TRACK LH STA. 40.00 -----	1	K
	1221064-200	RIB ASSEMBLY-FLAP TRACK RH STA. 40.00 -----	1	E
	1221064-202	RIB ASSEMBLY-FLAP TRACK RH STA. 40.00 -----	1	J
	1221064-32	RIB ASSEMBLY-FLAP TRACK RH STA. 40.00 -----	1	K
-33	1221064-21	RIDER TRACK-FLAP -----	1	
	1221064-1	RIB ASSEMBLY-FLAP TRACK LH STA. 82.00 -----	1	
-34	1221064-2	RIB ASSEMBLY-FLAP TRACK RH STA. 82.00 -----	1	
	1221064-19	RIDER TRACK-FLAP -----	1	
-35	1221064-23	CLIP -----	2	
	1221064-7	RIB ASSEMBLY-FLAP TRACK LH STA. 124.00 -----	1	
-36	1221064-8	RIB ASSEMBLY-FLAP TRACK RH STA. 124.00 -----	1	
	1221064-20	RIDER TRACK-FLAP -----	1	
-37	1221064-23	CLIP -----	2	
	1221089-1	RIB ASSEMBLY-AILERON HINGE LH STA. 138.00 -----	1	
-38	1221089-2	RIB ASSEMBLY-AILERON HINGE RH STA. 138.00 -----	1	
	1221089-19	BRACKET-AILERON HINGE -----	2	
-39	1422654-1	SPACER-AILERON HINGE -----	2	
	MS24461-4	BEARING-AILERON HINGE -----	1	
-40	1221089-7	RIB ASSEMBLY-AILERON HINGE LH STA. 172.00 -----	1	
	1221089-8	RIB ASSEMBLY-AILERON HINGE RH STA. 172.00 -----	1	
-41	1221089-19	BRACKET-AILERON HINGE -----	2	
	1422654-1	SPACER-AILERON HINGE -----	2	
-42	MS24461-4	BEARING-AILERON HINGE -----	1	
	1221089-13	RIB ASSEMBLY-AILERON HINGE LH STA. 206.00 -----	1	A
-43	1221089-41	RIB ASSEMBLY-AILERON HINGE LH STA. 206.00 -----	1	C
	1221089-14	RIB ASSEMBLY-AILERON HINGE RH STA. 206.00 -----	1	A
-44	1221089-40	RIB ASSEMBLY-AILERON HINGE RH STA. 206.00 -----	1	C
	1221089-19	BRACKET-AILERON HINGE -----	2	
-45	1221089-39	CLIP -----	1	
	1422654-1	SPACER-AILERON HINGE -----	2	
-46	MS24461-4	BEARING-AILERON HINGE -----	1	
	A6195-8Z3	NUTPLATE -----	6	A
-47	NAS680A08	NUTPLATE -----	6	C
	1221062-5	BULKHEAD LH -----	1	E
-48	1221062-11	BULKHEAD ASSEMBLY-LH -----	1	F
	1262036-1	SUPPORT-LH -----	1	F
	1262036-2	SUPPORT-RH -----	1	F
	1221062-6	BULKHEAD RH -----	1	
-49	1260131-1	BRACKET RH -----	1	
	1221062-1	BULKHEAD LH -----	1	
-50	1221062-2	BULKHEAD RH -----	1	
	1221062-3	BULKHEAD LH -----	1	
-51	1221062-4	BULKHEAD RH -----	1	
	1221090-1	SUPPORT-BELLCRANK AILERON LH -----	1	
-52	1221090-2	SUPPORT-BELLCRANK AILERON RH -----	1	

CONTINUED ON NEXT PAGE

FIGURE AND INDEX NO.	PART NUMBER	DESCRIPTION	UNITS PER ASSY	USABLE ON CODE		
					1	2
4 -58	1221090-3	SUPPORT ASSEMBLY-BELLCRANK AILERON LH -----	1			
	1221090-4	SUPPORT ASSEMBLY-BELLCRANK AILERON RH -----	1			
	NAS680A4	NUTPLATE -----	1			
-59	1221091-1	DOUBLER ASSEMBLY-AILERON ACCESS DOOR -----	1			
	NAS681A3K	NUTPLATE -----	8			
-60	1221093-1	DOUBLER ASSEMBLY-ACCESS DOOR LH -----	3			
	1221093-1	DOUBLER ASSEMBLY-ACCESS DOOR RH -----	4			
	NAS681A3	NUTPLATE -----	6			
-61	1221116-1	DOUBLER ASSEMBLY-FLAP MOTOR ACCESS DOOR LH ONLY -----	1			
	NAS681A3	NUTPLATE -----	8			
-62	1221001-3	SKIN UPPER INBOARD LH -----	1			
	1221002-3	SKIN UPPER INBOARD RH -----	1			
-63	1221001-4	SKIN UPPER OUTBOARD LH -----	1			
	1221002-4	SKIN UPPER OUTBOARD RH -----	1			
-64	1221001-5	SKIN-TRAILING EDGE LH -----	1			
	1221002-5	SKIN-TRAILING EDGE RH -----	1			
-65	1221001-6	SKIN-TRAILING EDGE LH -----	1			
	1221002-6	SKIN-TRAILING EDGE RH -----	1			
-66	1221001-7	SKIN-TRAILING EDGE LH -----	1			
	1221002-7	SKIN-TRAILING EDGE RH -----	1			
-67	1221001-8	SKIN-TRAILING EDGE LH -----	1			
	1221002-8	SKIN-TRAILING EDGE RH -----	1			
-68	1221001-9	TRAILING EDGE LH -----	1			
	1221002-9	TRAILING EDGE RH -----	1			
-69	1221001-10	SKIN LOWER INBOARD LH -----	1			
	1221002-10	SKIN LOWER INBOARD RH -----	1			
-70	1221001-14	SKIN LOWER OUTBOARD LH -----	1			
	1221002-14	SKIN LOWER OUTBOARD RH -----	1			
	1260117-1	SUPPORT ASSEMBLY-FLAP ACTUATOR -----	1	E		
-71	1260118-1	BRACKET-AFT GUIDE LH -----	1			
-72	1260118-2	BRACKET-AFT GUIDE RH -----	1			
-73	1221032-1	BRACKET-PULLEY LOWER -----	1			
-74	1221033-1	BRACKET-PULLEY UPPER -----	2			
-75	1260120-1	ATTACH PLATE-AFT -----	1			
-76	1260129-1	BRACKET-ACTUATOR SUPPORT -----	1			
-77	1412280-7	CHANNEL -----	1			
-78	1260117-2	SUPPORT-FLAP ACTUATOR -----	1			
-79	1412280-32	CHANNEL -----	1			
-80	1412280-25	BRACKET-PULLEY -----	1			
-81	1412280-26	BRACKET-PULLEY -----	1			
-82	1260119-1	BRACKET-FORWARD GUIDE LH -----	1			
	1260119-2	BRACKET-FORWARD GUIDE RH -----	1			
-83	1260121-1	BRACKET-FORWARD ATTACH -----	1			
-84	AN3-10A	BOLT -----	4			
	AN960-10L	WASHER -----	4			
	NAS43DD3-40	SPACER -----	4			
	NAS679A3	NUT -----	4			
-85	1260124-7	BRACKET ASSEMBLY-BELLCRANK UPPER -----	1	E		
	1260124-8	BRACKET ASSEMBLY-BELLCRANK LOWER -----	1	E		
	1260124-7	BRACKET ASSEMBLY-BELLCRANK UPPER LH ONLY -----	1	F		
	1260124-8	BRACKET ASSEMBLY-BELLCRANK LOWER LH ONLY -----	1	F		
	1260124-9	BRACKET ASSEMBLY-BELLCRANK UPPER RH ONLY -----	1	F		
	1260124-10	BRACKET ASSEMBLY-BELLCRANK LOWER -----	1	F		
-86	1221020-6	BRACKET-SUPPORT UPPER -----	1	E		
	1221020-7	BRACKET-BELLCRANK LOWER -----	1	E		
	1221050-6	BRACKET-SUPPORT UPPER LH ONLY -----	1	F		
	1221020-7	BRACKET-SUPPORT LOWER LH ONLY -----	1	F		
	1222028-1	BRACKET-SUPPORT UPPER RH ONLY -----	1	F		
	1222028-2	BRACKET-SUPPORT LOWER RH ONLY -----	1	F		
-87	1260126-1	BRACKET-BELLCRANK -----	1			
	1260126-3	BRACKET-BELLCRANK -----	1			
-88	1221120-3	BRACKET-SUPPORT -----	1			
-89	S226-5F	DOUBLER -----	1			
	A6163-8Z3	NUTPLATE -----	6			
-90	1221134-1	STIFFENER -----	1			
-91	1221134-2	STIFFENER -----	2			
-92	1221134-3	STIFFENER -----	1			

CONTINUED ON NEXT PAGE

FIGURE AND INDEX NO.	PART NUMBER	DESCRIPTION	UNITS PER ASSY	USABLE ON CODE
		1 2 3 4 5 6 7		
4 -93	S226-5F 1222013-1 A6163-8Z3 A6162-8Z3 1260202-1	DOUBLER ASSEMBLY ----- DOUBLER ASSEMBLY ----- NUTPLATE TIN ----- NUTPLATE TIN ----- SUPPORT ASSEMBLY-FLAP ACTUATOR ----- ATTACHING PARTS	1 1 6 6 1	A C A C F
-94	AN3-3A NAS679A3	BOLT ----- NUT ----- ---*---	8 8	F F
-95	1260202-2	BRACKET-PULLEY -----	1	
-96	1260202-3	BRACKET-PULLEY -----	1	
-96A	1260202-13	BRACKET-PULLEY -----	1	
-96B	1260202-7	BRACKET ASSEMBLY-LH -----	1	
	1260202-8	BRACKET ASSEMBLY-RH -----	1	
-97	1260202-10	SUPPORT -----	1	
-98	1260202-11	SUPPORT -----	1	
-98A	1260202-12	CHANNEL -----	1	
-98B	1412280-7	CHANNEL -----	1	
		NOTE. *WHEN INITIALLY ORDERING THIS ASSEMBLY FOR AIRPLANES PRIOR TO SERIAL 21058892 & SERIAL T210-0280, ALSO ORDER 1200028-1 JACK POINT ASSEMBLY.		
		NOTE. **WHEN INITIALLY ORDERING THIS PART FOR AIRPLANES PRIOR TO SERIAL 21058936 OR T210-0307 ALSO ORDER 1222013-1 DOUBLER ASSEMBLY.		
		A---210 SERIAL 21058819 THRU 21058936 T210 SERIAL T210-0198 THRU T210-0307		
		B---210 SERIAL 21058937 THRU 21058968 T210 SERIAL T210-0308 THRU T210-0338		
		C---210 SERIAL 21058937 & ON T210 SERIAL T210-0309 & ON		
		D---210 SERIAL 21058969 THRU 21059030 T210 SERIAL T210-0339 THRU T210-0378		
		E---210 SERIAL 21058819 THRU 21059030 T210 SERIAL T210-0198 THRU T210-0378		
		F---210 SERIAL 21059031 & ON T210 SERIAL T210-0379 & ON		
		G---210 SERIAL 21058819 THRU 21058968 T210 SERIAL T210-0198 THRU T210-0338		
		H---210 SERIAL 21058969 & ON T210 SERIAL T210-0339 & ON		
		J---210 SERIAL 21059031 THRU 21059061 T210 SERIAL T210-0379 THRU T210-0392		
		K---210 SERIAL 21059062 & ON T210 SERIAL T210-0393 & ON		

Wing (Cont)

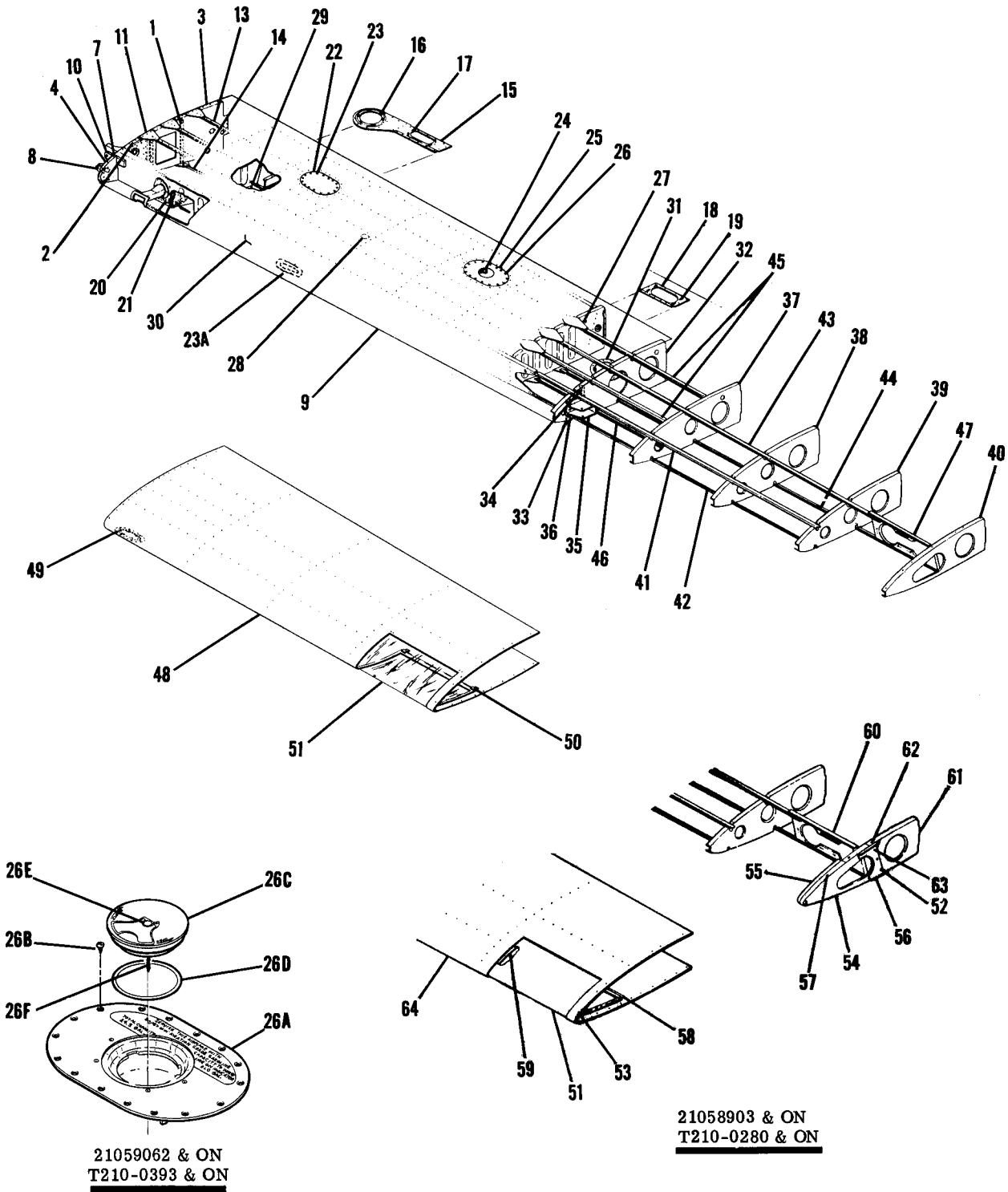


Figure 5. Wing Leading Edge Assemblies & Components

FIGURE AND INDEX NO.	PART NUMBER	DESCRIPTION	UNITS PER ASSY							USABLE ON CODE
			1	2	3	4	5	6	7	
5 -		WING LEADING EDGE ASSEMBLIES & COMPONENTS -----	1							
	1221040-1	RIB ASSEMBLY-WING ROOT LH -----	1							G
	1221040-69	RIB ASSEMBLY-WING ROOT LH -----	1							H
	1221040-2	RIB ASSEMBLY-WING ROOT RH -----	1							G
	1221040-70	RIB ASSEMBLY-WING ROOT LH -----	1							H
- 1	1221040-13	STIFFENER -----	1							
- 2	1221040-21	DOUBLER-LH -----	1							
	1221040-22	DOUBLER-RH -----	1							
- 3	1221040-15	RIB-LH CENTER -----	1							
	1221040-16	RIB-RH CENTER -----	1							
	A6191-8Z3	NUTPLATE TIN -----	3							
	S1050-2-5.50	GRCMMET -----	1							
	NAS686A08	NUTPLATE -----	2							
	1221063-1	RIB ASSEMBLY-LH -----	1							
	1221063-2	RIB ASSEMBLY-RH -----	1							
- 4	1221063-3	RIB-LEADING EDGE LH -----	1							
	1221063-4	RIB-LEADING EDGE RH -----	1							
- 5		DELETED, NEVER USED -----								
- 6		DELETED, NEVER USED -----								
- 7	A6162-8Z3	NUT TIN -----	2							
- 8	1221097-1	BRACKET ASSEMBLY-AILERON CONTROL LH -----	1							
	1221097-2	BRACKET ASSEMBLY-AILERON CONTROL RH -----	1							
- 9		LEADING EDGE ASSEMBLY-LH INBOARD ORDER 1221003-203 -----	1							C
	1221003-203	LEADING EDGE ASSEMBLY-LH INBOARD -----	1							J
	1221003-205	LEADING EDGE ASSEMBLY-LH INBOARD -----	1							K
	1221004-200	LEADING EDGE ASSEMBLY-RH INBOARD WHEN EXHAUSTED -----	1							C
		ORDER 1221004-202 -----								
	1221004-202	LEADING EDGE ASSEMBLY-RH INBOARD -----	1							J
	1221004-204	LEADING EDGE ASSEMBLY-RH INBOARD -----	1							K
-10	1221045-1	STRAP -----	1							L
	1221030-1	STRAP -----	1							K
-11	1221047-1	GUSSET -----	5							
-12		DELETED, NEVER USED -----								
-13	1221055-1	STRINGER LH UPPER -----	3							
	1221055-2	STRINGER RH UPPER -----	3							
-14	1221055-3	STRINGER LH LOWER -----	2							
	1221055-4	STRINGER RH LOWER -----	2							
-15	1221114-1	DOUBLER ASSEMBLY-LH -----	1							E
	1221114-5	DOUBLER ASSEMBLY-LH -----	1							F
	1221114-2	DOUBLER ASSEMBLY-RH -----	1							F
	1221114-6	DOUBLER ASSEMBLY-RH -----	1							F
-16	A6162-8Z3	NUTPLATE TIN -----	6							
-17	NAS680A3	NUTPLATE -----	4							
-18	1221050-1	DOUBLER ASSEMBLY -----	4							E
	1221050-8	DOUBLER ASSEMBLY -----	4							F
-19	NAS680A3	NUTPLATE -----	4							
-20	1221096-1	DOUBLER ASSEMBLY -----	1							
-21	NAS682A06	NUTPLATE -----	6							
-22	1221048-2	DOOR-ACCESS -----	1							C
	1221048-2	DOOR-ACCESS -----	2							D
		ATTACHING PARTS -----								
-23	AN507-1032R7	SCREW -----	16							
		-----*								
-23A	1221096-1	DOUBLER ASSEMBLY -----	1							
	NAS682A06	NUTPLATE -----	6							
-24	1221118-2	CAP-FUEL FILLER -----	1							L
	0721305-3	CHAIN ASSEMBLY-FUEL CAP -----	1							L
-25	1221118-1	ADAPTER ASSEMBLY-FUEL FILLER -----	1							L
		ATTACHING PARTS -----								
-26	AN507-1032R7	SCREW -----	16							L
		-----*								
-26A	1726041-4	DOOR ASSEMBLY-FUEL FILLER & CAP -----	1							K
		ATTACHING PARTS -----								
-26B	AN507-1032R7	SCREW -----	16							K
		-----*								
-26C	1726042-3	CAP ASSEMBLY -----	1							K
-26D	MS29513-338	O RING -----	1							
-26E	4199	PIN WISO -----	1							
-26F	1726042-4	CHAIN ASSEMBLY -----	1							K
-27	1221053-7	VENT ASSEMBLY-FUEL -----	1							
-28	1200029-9	SHIM-JACK POINT -----	1							

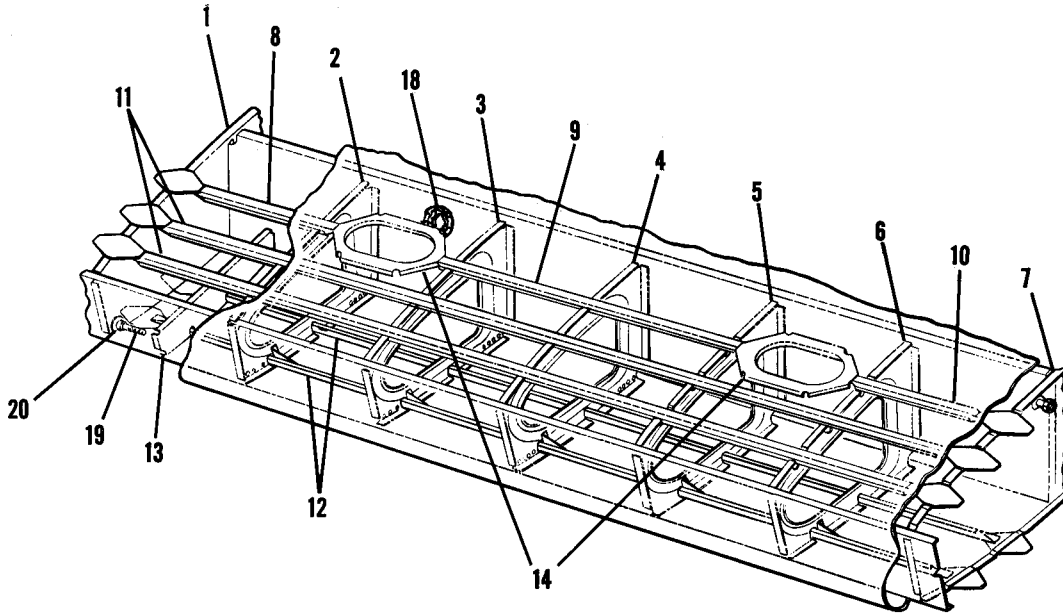
CONTINUED ON NEXT PAGE

FIGURE AND INDEX NO.	PART NUMBER	DESCRIPTION							UNITS PER ASSY	USABLE ON CODE	
		1	2	3	4	5	6	7			
5 -29	HE792-1	DRAIN VALVE	HEAC	-----					1	L	
	2294-00	DRAIN VALVE	DUKA	ALTERNATE	-----					1	L
	F391-100-1F	DRAIN VALVE	MCOI	ALTERNATE	-----					1	L
	1726048-1	BOSS-FUEL DRAIN	-----						1	K	
	1726049-1	CLIP-FUEL DRAIN BOSS	-----						1	K	
	9C5-8	PLUG-FUEL DRAIN	-----						1	K	
	MS29513-111	PACKING-FUEL DRAIN PLUG	-----						1	K	
	SEE FIG 6A	FUEL DRAIN VALVE & SAMPLER CUP KIT	-----						1	K	
	SEE FIG 6A	FUEL SAMPLER CUP	-----						1	L	
-30	SEE FIG 5A	FUEL CELL COMPONENTS INSTALLATION	-----						1		
-31	S226-5F	DOUBLER ASSEMBLY	-----						1		
	A6162-8Z3	NUTPLATE	-----						6		
-32	1221042-31	RIB ASSEMBLY-LH	-----						1		
	1221042-32	RIB ASSEMBLY-RH	-----						1		
-33	1221051-1	STIFFENER	-----						1		
-34	1221051-3	STIFFENER-LH	-----						1		
	1221054-4	STIFFENER-RH	-----						1		
	NAS682A3	NUTPLATE	-----						1		
-35	1221086-1	BRACKET	-----						4		
		ATTACHING PARTS	-----								
-36	AN3-3A	BOLT	-----						4		
		*****	-----								
		LEADING EDGE ASSEMBLY-LH	OUTBOARD	ORDER 1221003-8	-----			NP	A		
	1221003-8	LEADING EDGE ASSEMBLY-LH	OUTBOARD	-----					1	B	
	1221004-8	LEADING EDGE ASSEMBLY-RH	OUTBOARD	-----					1		
-37	1221042-17	RIB-LEADING EDGE LH	STA. 155.00	-----					1		
	1221042-18	RIB-LEADING EDGE RH	STA. 155.00	-----					1		
-38	1221042-19	RIB-LEADING EDGE LH	STA. 172.00	-----					1		
	1221042-20	RIB-LEADING EDGE RH	STA. 172.00	-----					1		
-39	1221042-21	RIB-LEADING EDGE LH	STA. 189.00	-----					1		
	1221042-22	RIB-LEADING EDGE RH	STA. 189.00	-----					1		
-40	1221042-23	RIB ASSEMBLY-LH	-----						1	A	
	1221042-59	RIB ASSEMBLY-RH	-----						1		
	NAS680A08	NUTPLATE	-----						7		
-41	1221055-33	STRINGER-LH	UPPER	-----					1	A	
	1221055-161	STRINGER-LH	UPPER	-----					1	B	
	1221055-35	STRINGER-RH	UPPER	-----					1		
-42	1221055-34	STRINGER-LH	LOWER	-----					1	A	
	1221055-163	STRINGER-LH	LOWER	-----					1	B	
	1221055-36	STRINGER-RH	LOWER	-----					1		
-43	1221055-57	STRINGER-LH	UPPER	-----					1	A	
	1221055-159	STRINGER-LH	UPPER	-----					1	B	
	1221055-58	STRINGER-RH	UPPER	-----					1		
-44	1221055-59	STRINGER-LH	LOWER	-----					1		
	1221055-60	STRINGER-RH	LOWER	-----					1		
-45	1221055-53	STRINGER-LH	UPPER	-----					2		
	1221055-55	STRINGER-RH	UPPER	-----					2		
-46	1221055-54	STRINGER-LH	LOWER	-----					1		
	1221055-56	STRINGER-RH	LOWER	-----					1		
-47	1221058-1	SUPPORT ASSEMBLY-LANDING LIGHT	LH ONLY	-----					1	A	
	NAS696A08	NUTPLATE	-----						6		
-48	1221003-10	SKIN-LEADING EDGE LH	OUTBOARD	-----					1	A	
	1221004-10	SKIN-LEADING EDGE RH	OUTBOARD	-----					1		
-49	1221096-1	DOUBLER ASSEMBLY	LH ONLY	-----					1		
	NAS682A06	NUTPLATE	-----						6		
-50	1221060-2	CLIP	LH ONLY	-----					4	A	
-51	1221060-1	LENS-LANDING LIGHT	LH ONLY	-----					1		
	1221129-2	RIB ASSEMBLY-REMOVABLE	LH	-----					1	B	
		ATTACHING PARTS	-----								
-52	AN525-8R8	SCREW	-----						3	B	
		*****	-----								
-53	1221130-1	SKIN	-----						1		
-54	1221127-5	RIB ASSEMBLY	-----						1		
	NAS680A08	NUTPLATE	-----						1		
-55	1221125-1	RETAINER	-----						1		
-56	1221132-1	DOUBLER	-----						1		
-57	NAS680A08	NUTPLATE	-----						3		

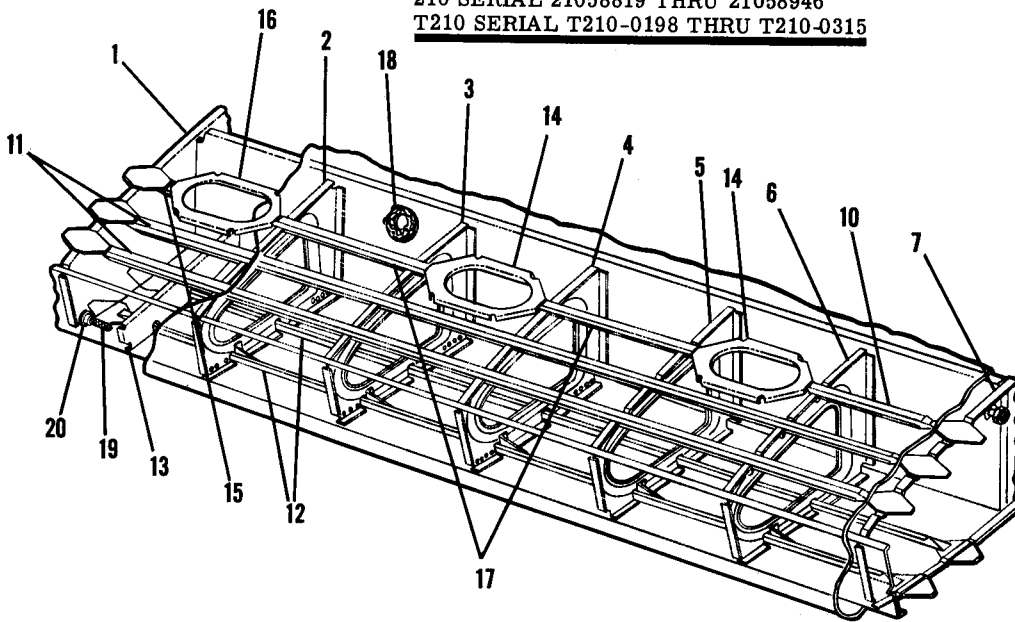
CONTINUED ON NEXT PAGE

FIGURE AND INDEX NO.	PART NUMBER	DESCRIPTION	UNITS PER ASSY	USABLE ON CODE
		1 2 3 4 5 6 7		
5 -58	1221126-1	RETAINER-LH -----	2	B
-59	1221124-1	RETAINER-LH -----	1	B
-60	1221131-1	SUPPORT ASSEMBLY-LH -----	1	B
	NAS696A08	NUTPLATE -----	6	
-61	1221128-5	RIB ASSEMBLY-AFT LH -----	1	B
-62	NAS680A08	NUTPLATE -----	3	
	NAS682A08	NUTPLATE -----	1	
-63	NAS697A08K	NUTPLATE -----	3	
-64	1221003-11	SKIN-LEADING EDGE LH OUTBOARD -----	1	B
<p>NOTE. *THE DETAIL PARTS IN THIS ASSEMBLY ARE TO BE USED AS REPLACEMENT PARTS ON AIRPLANES THAT HAVE THE ORIGINAL WING. FOR AIRPLANES THAT DO NOT HAVE ORIGINAL WING ORDER DETAIL PARTS FROM ASSEMBLY MARKED **.</p>				
<p>A---210 SERIAL 21058819 THRU 21058902 T210 SERIAL T210-0198 THRU T210-0279</p> <p>B---210 SERIAL 21058903 & ON T210 SERIAL T210-0280 & ON</p> <p>C---210 SERIAL 21058819 THRU 21058946 T210 SERIAL T210-0198 THRU T210-0315</p> <p>D---210 SERIAL 21058947 & ON T210 SERIAL T210-0316 & ON</p> <p>E---210 SERIAL 21058819 THRU 21058931 T210 SERIAL T210-0198 THRU T210-0288</p> <p>F---210 SERIAL 21058932 & ON T210 SERIAL T210-0289 & ON</p> <p>G---210 SERIAL 21058819 THRU 21058968 T210 SERIAL T210-0198 THRU T210-0338</p> <p>H---210 SERIAL 21058969 & ON T210 SERIAL T210-0339 & ON</p> <p>J---210 SERIAL 21058947 THRU 21059061 T210 SERIAL T210-0316 THRU T210-0392</p> <p>K---210 SERIAL 21059062 & ON T210 SERIAL T210-0393 & ON</p> <p>L---210 SERIAL 21058819 THRU 21059061 T210 SERIAL T210-0198 THRU T210-0392</p>				

Wing (Cont)



FOR SUPPORT OF AIRPLANES HAVING
ORIGINAL WINGS,
210 SERIAL 21058819 THRU 21058946
T210 SERIAL T210-0198 THRU T210-0315



210 SERIAL 21058947 & ON
T210 SERIAL T210-0316 & ON
& FOR SUPPORT OF ALL
REPLACEMENT WINGS.

Figure 5A. Fuel Cell Components Installation

FIGURE AND INDEX NO.	PART NUMBER		DESCRIPTION	UNITS PER ASSY	USABLE ON CODE
			1 2 3 4 5 6 7		
5A-			FUEL CELL COMPONENTS INSTALLATION -----	NP	A
- 1	1221041-1	*	RIB-LH STA. 40 -----	1	C
	1221041-43	*	RIB-LH STA. 40 -----	1	D
	1221041-2	*	RIB-RH STA. 40 -----	1	C
	1221041-44	*	RIB-RH STA. 40 -----	1	D
- 2	1221042-1	*	RIB-LH STA. 54 -----	1	
	1221042-2	*	RIB-RH STA. 54 -----	1	
- 3	1221042-3	*	RIB-LH STA. 68 -----	1	
	1221042-4	*	RIB-RH STA. 68 -----	1	
- 4	1221042-5	*	RIB-LH STA. 82 -----	1	
	1221042-6	*	RIB-RH STA. 82 -----	1	
- 5	1221042-7	*	RIB-LH STA. 96 -----	1	
	1221042-8	*	RIB-RH STA. 96 -----	1	
- 6	1221042-9	*	RIB-LH STA. 110 -----	1	
	1221042-10	*	RIB-RH STA. 110 -----	1	
- 7	1221041-5	*	RIB-LH STA. 124 -----	1	
	1221041-6	*	RIB-RH STA. 124 -----	1	
- 8	1221055-19	*	STRINGER-UPPER LH -----	1	A
	1221055-20	*	STRINGER-UPPER RH -----	1	A
- 9	1221055-49	*	STRINGER-UPPER LH -----	1	A
	1221055-50	*	STRINGER-UPPER RH -----	1	A
-10	1221055-51	*	STRINGER-UPPER LH -----	1	
	1221055-52	*	STRINGER-UPPER RH -----	1	
-11	1221055-41	*	STRINGER-UPPER LH -----	2	
	1221055-43	*	STRINGER-UPPER RH -----	2	
-12	1221055-42	*	STRINGER-LOWER LH -----	2	
	1221055-44	*	STRINGER-LOWER RH -----	2	
-13	1221043-1	*	RIB-BAFFLE LH -----	1	
	1221043-2	*	RIB-BAFFLE RH -----	1	
-14	1221049-2		DOUBLER ASSEMBLY -----	2	
	4600-2		NUTPLATE SPS -----	16	
-15	1222018-1		CHANNEL-UPPER -----	1	B
-16	1222009-1		DOUBLER ASSEMBLY -----	1	B
	4600-2		NUTPLATE SPS -----	16	
-17	1222019-1		STRINGER-UPPER LH -----	2	B
	1222019-2		STRINGER-UPPER RH -----	2	B
-18	1716008-1		NUTRING ASSEMBLY -----	1	
	S1588-2		GASKET-NUTRING -----	1	
-19	1221122-4		STRAINER ASSEMBLY-FUEL CELL LESS FITTING -----	2	
-20	1221122-2		FITTING -----	2	
<p>NOTE. *THESE ITEMS ARE LISTED ONLY FOR MAKING SPLICE REPAIRS TO EXISTING PARTS WHICH ARE IMPRACTICAL TO REPLACE. SEE SERVICE MANUAL FOR REPAIR & SEALING PROCEDURES.</p> <p>A---210 SERIAL 21058819 THRU 21058946 T210 SERIAL T210-0198 THRU T210-0315</p> <p>B---210 SERIAL 21058947 & ON T210 SERIAL T210-0316 & ON</p> <p>C---210 SERIAL 21058819 THRU 21059061 T210 SERIAL T210-0198 THRU T210-0392</p> <p>D---210 SERIAL 21059062 & ON T210 SERIAL T210-0393 & ON</p>					

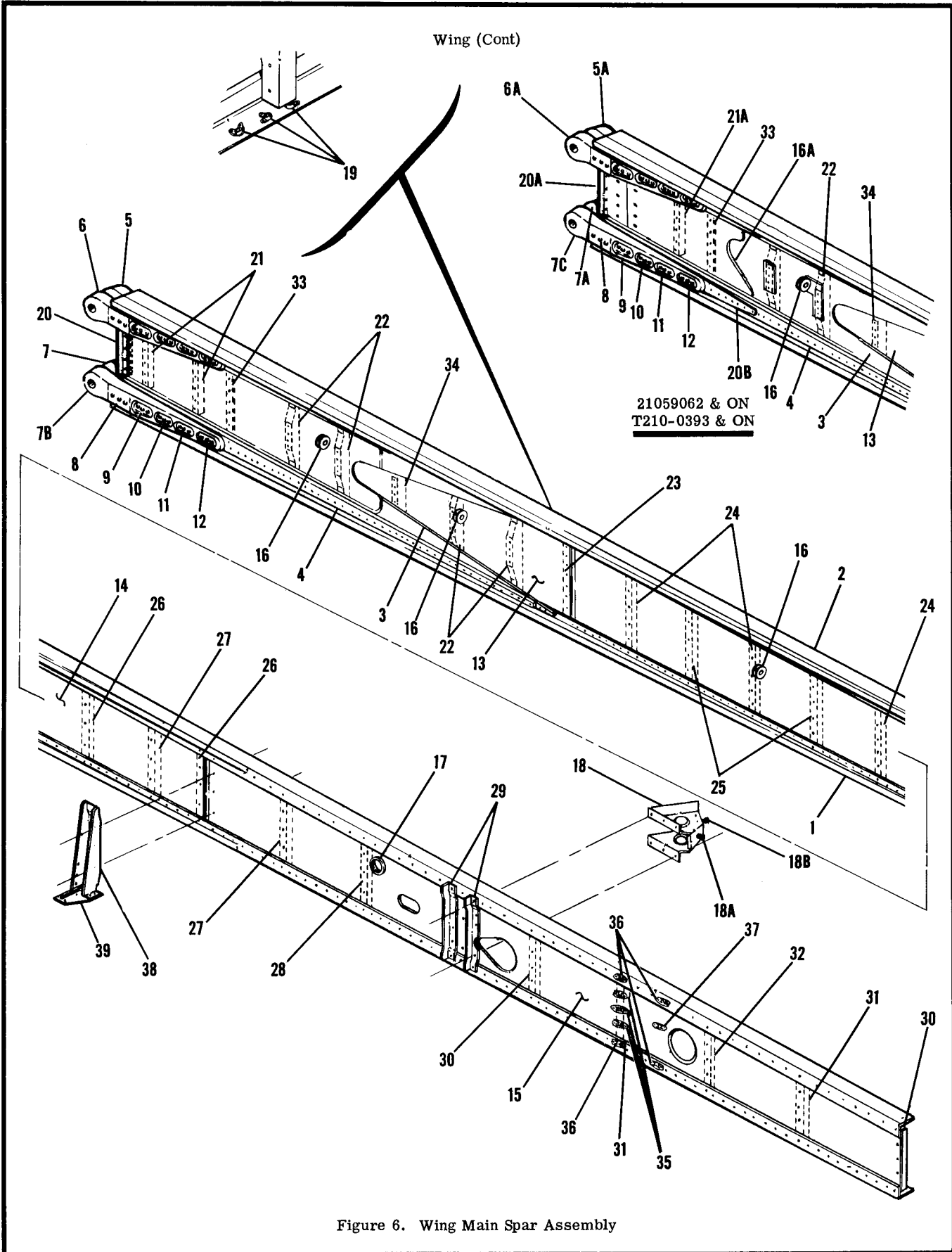


FIGURE AND INDEX NO.	PART NUMBER		DESCRIPTION							UNITS PER ASSY	USABLE ON CODE
			1	2	3	4	5	6	7		
6 -	1221005-201	*	WING SPAR ASSEMBLY-MAIN	LH	----	----	----	----	----	1	A
	1221005-205		WING SPAR ASSEMBLY-MAIN	LH	----	----	----	----	----	1	C
	1221005-207		WING SPAR ASSEMBLY-MAIN	LH	----	----	----	----	----	1	F
	1221005-209		WING SPAR ASSEMBLY-MAIN	LH	----	----	----	----	----	1	G
	1221005-200	*	WING SPAR ASSEMBLY-MAIN	RH	----	----	----	----	----	1	A
	1221005-204		WING SPAR ASSEMBLY-MAIN	RH	----	----	----	----	----	1	E
	1221005-208		WING SPAR ASSEMBLY-MAIN	RH	----	----	----	----	----	1	G
- 1	1221005-3		CAP-SPAR	LOWER-LH	----	----	----	----	----	1	
	1221005-4		CAP-SPAR	LOWER-RH	----	----	----	----	----	1	
- 2	1221005-5		CAP-SPAR	UPPER-LH	----	----	----	----	----	1	
	1221005-6		CAP-SPAR	UPPER-RH	----	----	----	----	----	1	
- 3	1221005-7		DOUBLER-LH	----	----	----	----	----	----	1	C
	1221005-25		DOUBLER-LH	----	----	----	----	----	----	1	F
	1222031-1		DOUBLER-LH	----	----	----	----	----	----	1	G
	1221005-8		DOUBLER-RH	----	----	----	----	----	----	1	C
	1221005-22		DOUBLER-RH	----	----	----	----	----	----	1	F
	1222031-2		DOUBLER-RH	----	----	----	----	----	----	1	G
- 4	1221005-12		PLATE	----	----	----	----	----	----	4	H
	1221005-37		PLATE	----	----	----	----	----	----	4	A
- 5	1210703-1		FITTING-SPAR	----	----	----	----	----	----	1	G
	1210703-5		FITTING ASSEMBLY-SPAR	----	----	----	----	----	----	1	E
- 5A	1210102-2		FITTING ASSEMBLY-SPAR	----	----	----	----	----	----	1	G
- 6	1210703-2		FITTING-SPAR	----	----	----	----	----	----	1	A
	1210703-6		FITTING ASSEMBLY-SPAR	----	----	----	----	----	----	1	E
- 6A	1210102-6		FITTING ASSEMBLY-SPAR	----	----	----	----	----	----	1	G
- 7	1210703-3		FITTING-SPAR	----	----	----	----	----	----	1	A
	1210703-7		FITTING ASSEMBLY-SPAR	----	----	----	----	----	----	1	E
- 7A	1210102-1		FITTING ASSEMBLY-SPAR	----	----	----	----	----	----	1	G
- 7B	1210703-4		FITTING-SPAR	----	----	----	----	----	----	1	A
	1210703-8		FITTING ASSEMBLY-SPAR	----	----	----	----	----	----	1	E
- 7C	1210102-5		FITTING ASSEMBLY-SPAR	----	----	----	----	----	----	1	G
			ATTACHING PARTS								
- 8	NAS1054-10-45		RIVET-HI-SHEAR	----	----	----	----	----	----	6	A
	S3LP-DT10-45		BOLT HKM ALTERNATE	----	----	----	----	----	----	6	A
	NAS1054-10-51		RIVET-HI-SHEAR	----	----	----	----	----	----	6	B
- 9	NAS1054-38		RIVET-HI-SHEAR	----	----	----	----	----	----	6	A
	S3LP-DT10-38		BOLT HKM ALTERNATE	----	----	----	----	----	----	6	A
	NAS1054-10-44		RIVET-HI-SHEAR	----	----	----	----	----	----	6	B
- 10	NAS1054-10-33		RIVET-HI-SHEAR	----	----	----	----	----	----	6	A
	S3LP-DT10-33		BOLT HKM ALTERNATE	----	----	----	----	----	----	6	A
	NAS1054-10-39		RIVET-HI-SHEAR	----	----	----	----	----	----	6	B
- 11	NAS1054-10-27		RIVET-HI-SHEAR	----	----	----	----	----	----	6	A
	S3LP-DT10-27		BOLT HKM ALTERNATE	----	----	----	----	----	----	6	A
	NAS1054-10-33		RIVET-HI-SHEAR	----	----	----	----	----	----	6	B
- 12	NAS1054-10-22		RIVET-HI-SHEAR	----	----	----	----	----	----	6	A
	SLP-DT10-22		BOLT HKM ALTERNATE	----	----	----	----	----	----	6	A
	NAS1054-10-28		RIVET-HI-SHEAR	----	----	----	----	----	----	6	B
	NAS578-10		COLLAR-HI-SHEAR	----	----	----	----	----	----	30	
	6DC-C10		COLLAR HKM ALTERNATE	----	----	----	----	----	----	30	
			---*---								
- 13	1221005-9		WEB	----	----	----	----	----	----	1	C
	1221005-26		WEB-LH	----	----	----	----	----	----	1	F
	1222032-3		WEB ASSEMBLY-LH	----	----	----	----	----	----	1	F
	1221005-23		WEB-RH	----	----	----	----	----	----	1	F
	1222032-4		WEB ASSEMBLY-RH	----	----	----	----	----	----	1	F
- 14	1221005-10		WEB-LH	----	----	----	----	----	----	1	
	1221005-16		WEB-RH	----	----	----	----	----	----	1	
- 15	1221005-11		WEB-LH	----	----	----	----	----	----	1	
	1221005-14		WEB-RH	----	----	----	----	----	----	1	
- 16	S1590-3A		CLAMP-LH	----	----	----	----	----	----	3	
	S1590-2		CLAMP-RH	----	----	----	----	----	----	3	
			ATTACHING PARTS								
	S1021Z10-8		SCREW-LH	----	----	----	----	----	----	3	
	S1021Z6-8		SCREW-RH	----	----	----	----	----	----	3	
	NAS446-5		NUT-LH	----	----	----	----	----	----	3	
	NAS44603		NUT-RH	----	----	----	----	----	----	3	
			---*---								
- 16A	1221031-1		SPACER-LH	----	----	----	----	----	----	1	G
	1221031-2		SPACER-RH	----	----	----	----	----	----	1	G
- 17	NAS557-16A		GROMMET	LH ONLY	----	----	----	----	----	1	

CONTINUED ON NEXT PAGE

FIGURE AND INDEX NO.	PART NUMBER	DESCRIPTION	UNITS PER ASSY	USABLE ON CODE
		1 2 3 4 5 6 7		
6 -18	1221088-1	BRACKET ASSEMBLY-LH -----	1	
	1221088-4	BRACKET ASSEMBLY-RH -----	1	
	NAS680A3	NUTPLATE -----	2	
-18A	NAS428-3-7	BOLT -----	1	
-18B	NAS428-3-10	BOLT -----	1	
	AN345-10	NUT -----	2	
-19	NAS698A3	NUTPLATE -----	2	
-20	1221040-19	STIFFENER -----	2	A
	1222029-1	STIFFENER-LH -----	1	E
	1222029-2	STIFFENER-RH -----	1	E
		ATTACHING PARTS		
	NAS1446-4	PIN -----	4	H
	NAS1080C6	COLLAR -----	4	H
		---*---		
-20A	1222035-1	STIFFENER-LH AFT -----	1	G
	1222035-2	STIFFENER-RH AFT -----	1	G
	1222035-3	STIFFENER-LH FWD -----	1	G
	1222035-4	STIFFENER-RH FWD -----	1	G
-20B	1922005-1	REINFORCEMENT -----	1	G
-21	1221057-2	STIFFENER -----	2	
-21A	1221057-9	STIFFENER -----	1	G
-22	1221057-1	STIFFENER -----	4	
-23	1221085-13	STIFFENER -----	1	
-24	1221085-16	STIFFENER -----	3	
-25	1221085-1	STIFFENER -----	2	
-26	1221085-14	STIFFENER -----	2	
-27	1221085-5	STIFFENER -----	2	
-28	1221085-2	STIFFENER -----	1	
-29	1221085-11	STIFFENER-LH -----	2	
	1221085-12	STIFFENER-RH -----	2	
-30	1221085-15	STIFFENER -----	2	
-31	1221085-6	STIFFENER -----	2	
-32	1221085-3	STIFFENER -----	1	
-33	1221064-22	STIFFENER -----	1	H
	1221037-1	STIFFENER -----	1	G
	1221037-2	STIFFENER -----	1	G
-34	1221057-3	STIFFENER -----	1	
-35	NAS686A08	NUTPLATE -----	3	
	NAS220-7	SCREW -----	3	
-36	NAS686A08	NUTPLATE -----	4	
	NAS220-9	SCREW -----	4	
-37	NAS686A08	NUTPLATE -----	1	
-38	1221104-1	CHANNEL-MOORING RING SUPPORT LH -----	1	
	1221104-2	CHANNEL-MOORING RING SUPPORT RH -----	1	
-39	1221004-3	DOUBLER -----	1	
		NOTE. *WHEN INITIALLY ORDERING THIS ASSEMBLY PRIOR TO SERIAL 21058892 & T210-0280 ALSO ORDER 1200028-1 JACK POINT ASSEMBLY.		
		A---210 SERIAL 21058819 THRU 21058968 T210 SERIAL T210-0198 THRU T210-0338		
		B---210 SERIAL 21058969 & ON T210 SERIAL T210-0339 & ON		
		C---210 SERIAL 21058969 THRU 21059030 T210 SERIAL T210-0339 THRU T210-0378		
		D---210 SERIAL 21059031 & ON T210 SERIAL T210-0379 & ON		
		E---210 SERIAL 21058969 THRU 21059061 T210 SERIAL T210-0339 THRU T210-0392		
		F---210 SERIAL 21059031 THRU 21059061 T210 SERIAL T210-0379 THRU T210-0392		
		G---210 SERIAL 21059062 & ON T210 SERIAL T210-0393 & ON		
		H---210 SERIAL 21058819 THRU 21059061 T210 SERIAL T210-0198 THRU T210-0392		

This page intentionally left blank.

Wing (Cont)

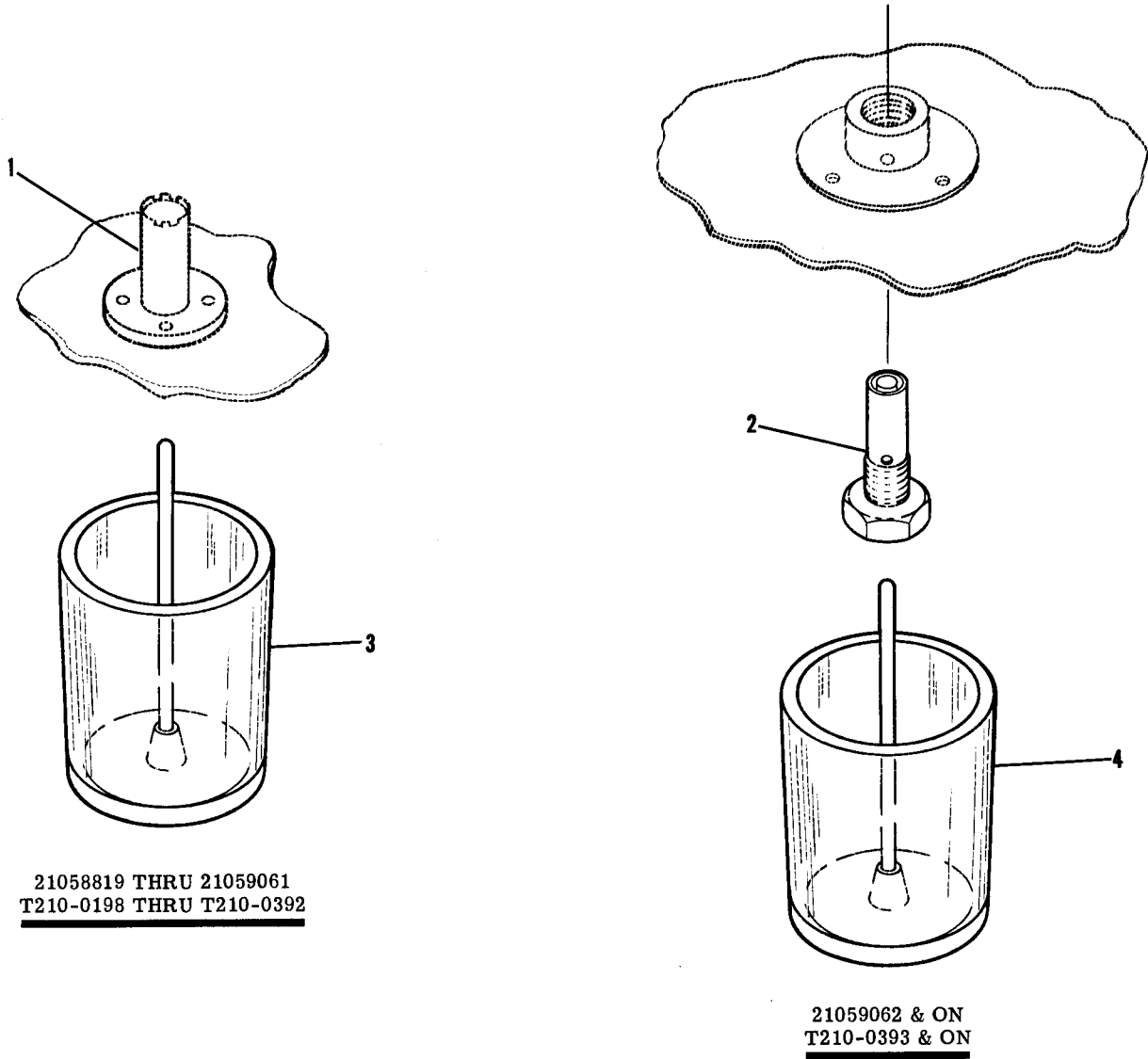


Figure 6A. Fuel Drain Valve & Sampler Cup

FIGURE AND INDEX NO.	PART NUMBER	DESCRIPTION	UNITS PER ASSY	USABLE ON CODE
		1 2 3 4 5 6 7		
6A-		FUEL CELL DRAIN VALVE & SAMPLER CUP -----	NP	
- 1	SEE FIG 5	DRAIN VALVE HEAC STANDARD ON FUEL CELL -----	2	A
- 2	0526001-6 *	DRAIN VALVE -----	2	B
- 3	0526001-1	CUP-FUEL SAMPLER -----	1	A
- 4	0526001-1 *	CUP-FUEL SAMPLER -----	1	B
		NOTE. *THESE PARTS & INSTALLATION INSTRUCTIONS ARE AVAILABLE AS A KIT & MAY BE ORDERED UNDER P/N AK177-23.		
		A---210 SERIAL 21058819 THRU 21059061 T210 SERIAL T210-0198 THRU T210-0392		
		B---210 SERIAL 21059062 & ON T210 SERIAL T210-0393 & ON		

FIGURE AND INDEX NO.	PART NUMBER	DESCRIPTION	UNITS PER ASSY	USABLE ON CODE
		1 2 3 4 5 6 7		
7 -	1221006-1	AILERON INSTALLATION -----	NP	
	1221006-2	AILERON ASSEMBLY-CANTILEVER WING LH -----	1	
		AILERON ASSEMBLY-CANTILEVER WING RH -----	1	
		ATTACHING PARTS -----		
- 1	AN4-11A	BOLT -----	3	
- 2	AN960-416	WASHER -----	3	
		-----*		
- 3	1221006-3	SKIN-AILERON LEADING EDGE-INBOARD LH -----	1	
	1221006-4	SKIN-AILERON LEADING EDGE-INBOARD RH -----	1	
- 4	1221006-9	SKIN-AILERON LEADING EDGE-OUTBOARD LH -----	1	
	1221006-10	SKIN-AILERON LEADING EDGE-OUTBOARD RH -----	1	
- 5	1221006-7	SKIN-AILERON-LOWER -----	1	
- 6	1221006-15	SKIN-AILERON TRAILING EDGE LH -----	1	
	1221006-16	SKIN-AILERON TRAILING EDGE RH -----	1	
- 7	1221006-8	TAB-AILERON TRIM LH -----	1	
	1221006-11	TAB-AILERON TRIM RH -----	1	
		ATTACHING PARTS -----		
- 8	AN515-8R8	SCREW -----	3	
		-----*		
- 9	1221075-7	SPAR ASSEMBLY-AILERON TAB LH -----	1	
	1221075-8	SPAR ASSEMBLY-AILERON TAB RH -----	1	
-10	NAS686A08K	NUTPLATE -----	3	
-11	1221074-3	RIB-AILERON TAB LH -----	1	
	1221074-4	RIB-AILERON TAB RH -----	1	
CONTINUED ON NEXT PAGE				

Wing (Cont)

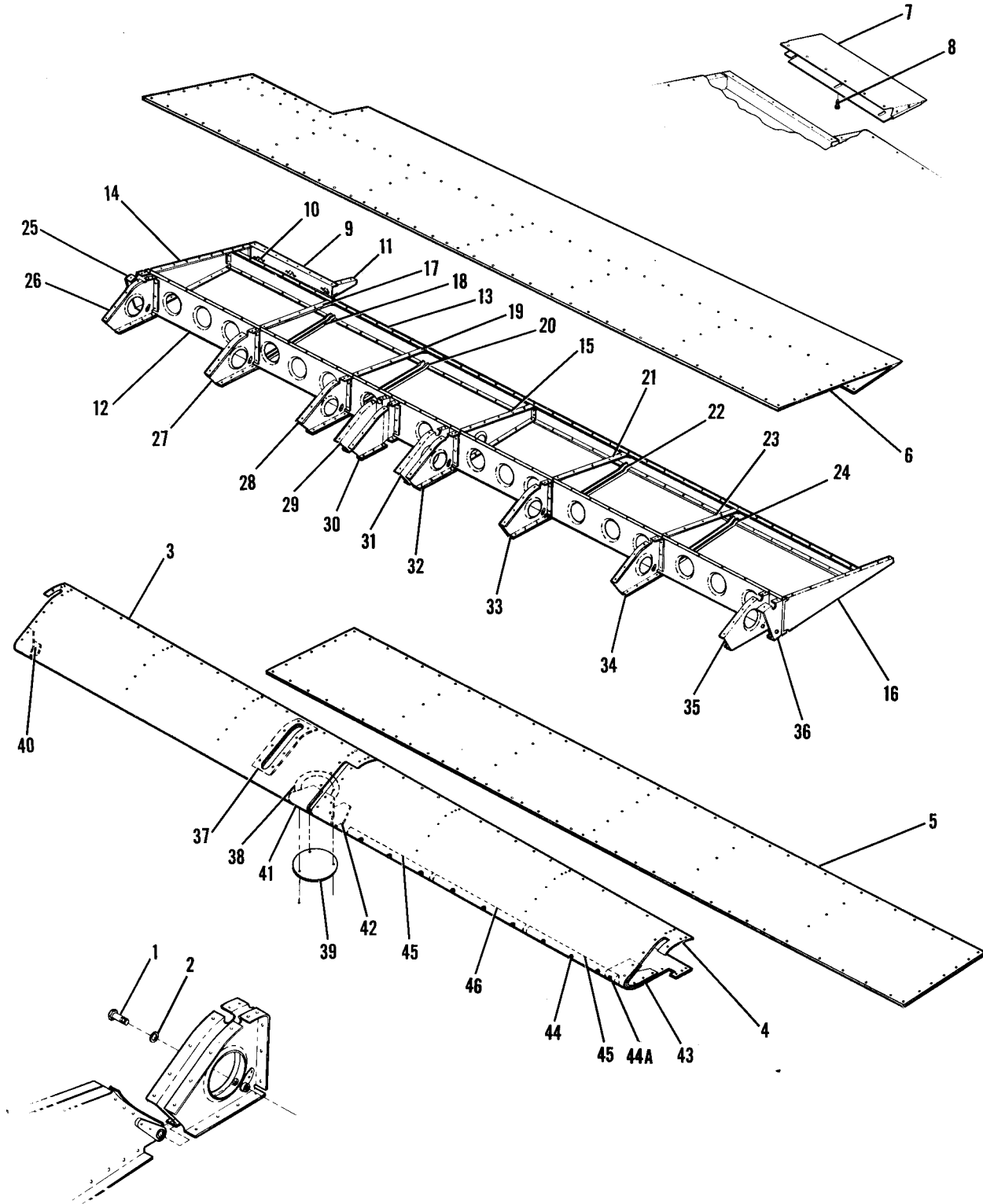


Figure 7. Aileron Installation



FIGURE AND INDEX NO.	PART NUMBER	DESCRIPTION	UNITS PER ASSY	USABLE ON CODE
7 -12	1221065-5	SPAR-AILERON-FORWARD LH -----	1	
	1221065-6	SPAR-AILERON-FORWARD RH -----	1	
-13	1221065-1	SPAR-AILERON-REAR LH -----	1	
	1221065-2	SPAR-AILERON-REAR RH -----	1	
-14	1221069-1	RIB-AILERON-INBOARD LH -----	1	
	1221069-2	RIB-AILERON-INBOARD RH -----	1	
-15	1221070-1	RIB-AILERON-CENTER LH -----	1	
	1221070-2	RIB-AILERON-CENTER RH -----	1	
-16	1221071-1	RIB-AILERON-OUTBOARD LH -----	1	
	1221071-2	RIB-AILERON-OUTBOARD RH -----	1	
-17	1221068-1	STIFFENER-AILERON SKIN UPPER -----	1	
-18	1221068-2	STIFFENER-AILERON SKIN LOWER -----	1	
-19	1221068-3	STIFFENER-AILERON SKIN UPPER -----	1	
-20	1221068-4	STIFFENER-AILERON SKIN LOWER -----	1	
-21	1221068-5	STIFFENER-AILERON SKIN UPPER -----	1	
-22	1221068-6	STIFFENER-AILERON SKIN LOWER -----	1	
-23	1221068-7	STIFFENER-AILERON SKIN UPPER -----	1	
-24	1221068-8	STIFFENER-AILERON SKIN UPPER -----	1	
-25	1724072-1	BRACKET-AILERON HINGE-INBOARD LH -----	1	
	1724072-2	BRACKET-AILERON HINGE-INBOARD RH -----	1	
-26	1724066-1	RIB ASSEMBLY-AILERON LEADING EDGE LH -----	1	
	1724066-2	RIB ASSEMBLY-AILERON LEADING EDGE RH -----	1	
	NAS682A4	NUTPLATE -----	1	
-27	1221066-5	RIB-AILERON LEADING EDGE -----	1	
-28	1221066-6	RIB-AILERON LEADING EDGE -----	1	
-29	1221067-1	RIB ASSEMBLY-AILERON LEADING EDGE LH -----	1	
	1221067-2	RIB ASSEMBLY-AILERON LEADING EDGE RH -----	1	
	NAS682A4	NUTPLATE -----	1	
-30	1221067-3	RIB-AILERON LEADING EDGE LH -----	1	
	1221067-4	RIB-AILERON LEADING EDGE RH -----	1	
-31	1221066-15	RIB-AILERON LEADING EDGE LH -----	1	
	1221066-16	RIB-AILERON LEADING EDGE RH -----	1	
-32	1221066-14	RIB ASSEMBLY-LEADING EDGE LH -----	1	
	1221066-13	RIB ASSEMBLY-LEADING EDGE RH -----	1	
	NAS682A4	NUTPLATE -----	1	
-33	1221066-7	RIB-AILERON LEADING EDGE -----	1	
-34	1221066-8	RIB-AILERON LEADING EDGE -----	1	
-35	1221066-7	RIB ASSEMBLY-LEADING EDGE LH -----	1	
	1221066-8	RIB ASSEMBLY-LEADING EDGE RH -----	1	
	NAS682A4	NUTPLATE -----	1	
-36	1724072-3	BRACKET-AILERON LEADING EDGE OUTBOARD LH -----	1	
	1724072-4	BRACKET-AILERON LEADING EDGE OUTBOARD RH -----	1	
-37	1221067-6	DOUBLER-AILERON LEADING EDGE -----	1	
-38	S237-6	DOUBLER ASSEMBLY -----	1	
	NAS395-14-3	NUT-SHEET SPRING -----	3	
-39	S225-8	PLATE-INSPECTION -----	1	
	S1021Z8-6	ATTACHING PARTS SCREW -----	3	
		-----*		
-40	1221117-1	GUSSET-AILERON LH -----	1	
	1221117-2	GUSSET-AILERON RH -----	1	
-41	1221117-3	GUSSET-AILERON LH -----	1	
	1221117-4	GUSSET-AILERON RH -----	1	
-42	1221117-5	GUSSET-AILERON LH -----	1	
	1221117-6	GUSSET-AILERON RH -----	1	
-43	1221117-7	GUSSET-AILERON LH -----	1	
	1221117-8	GUSSET-AILERON RH -----	1	
	1221121-1	BALANCE WEIGHT ASSEMBLY-AILERON -----	1	
		ATTACHING PARTS SCREW -----	9	
	AN515-8R10	-----*		
-44A	S1093-1	PLUG BUTTON -----	1	
-45	1221121-2	BALANCE WEIGHT -----	2	
-46	1221121-3	BALANCE WEIGHT -----	1	
	1221121-4	GANG CHANNEL -----	1	
	AN535-2-3	ATTACHING PARTS SCREW -----	8	
		-----*		

Wing (Cont)

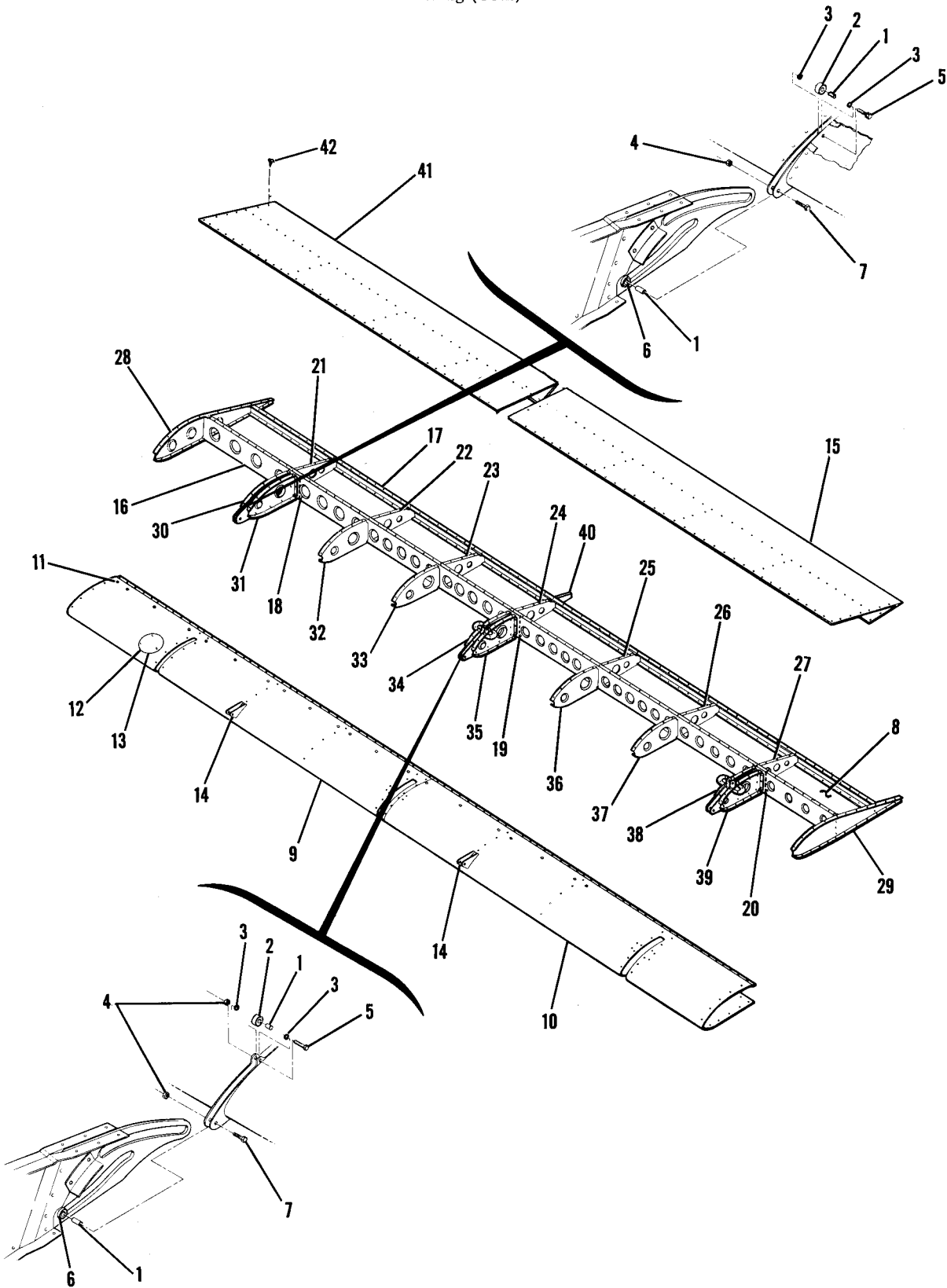
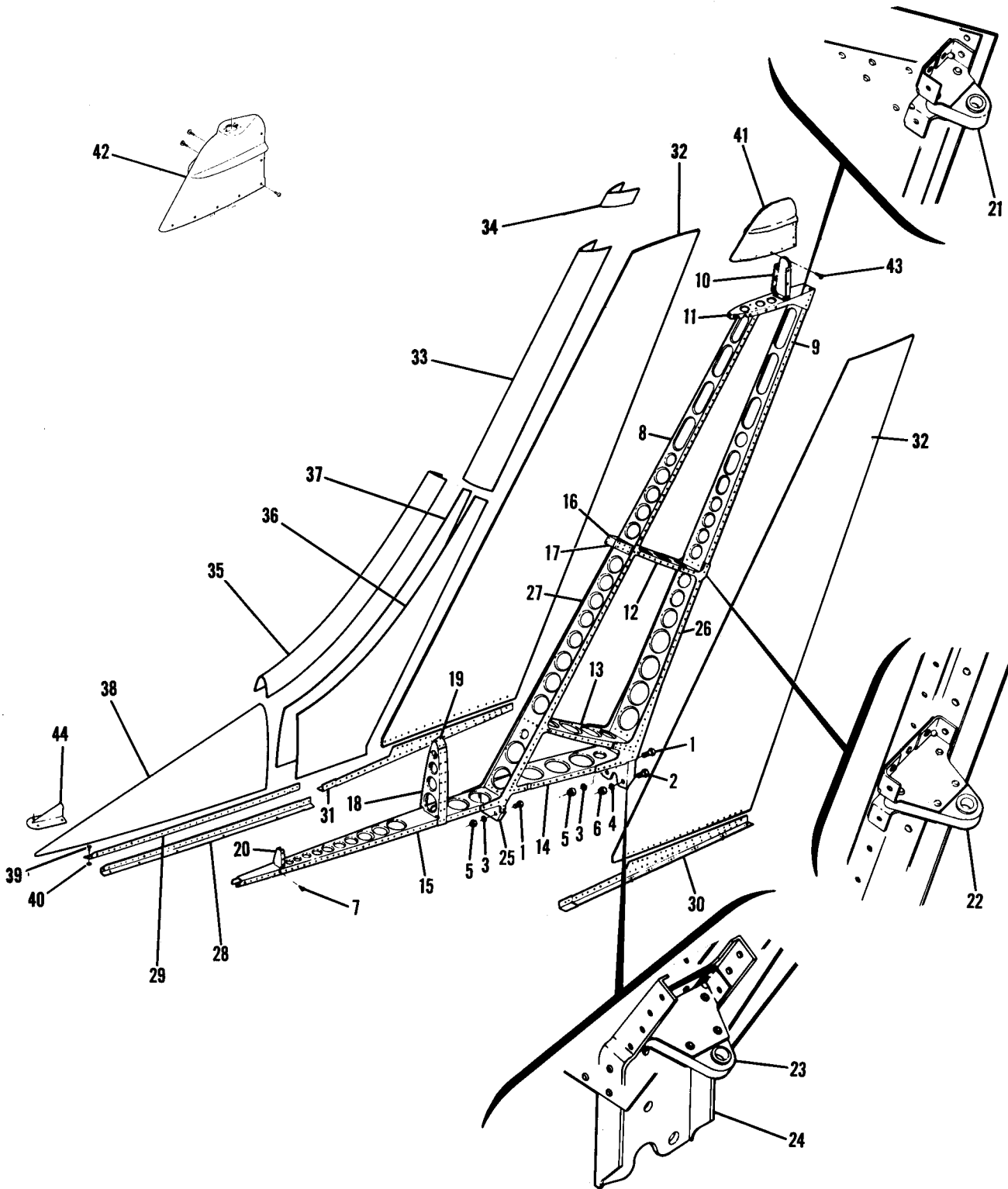


Figure 8. Flap Installation



FIGURE AND INDEX NO.	PART NUMBER	DESCRIPTION	UNITS PER ASSY	USABLE ON CODE		
					1	2
8 -		FLAP INSTALLATION -----	NP			
	1221007-11	FLAP ASSEMBLY-WING LH -----	1			
	1221007-12	FLAP ASSEMBLY-WING RH -----	1			
		ATTACHING PARTS -----				
- 1	0523919	BUSHING -----	6			
- 2	0523920	ROLLER -----	3			
- 3	1220114-1	SPACER -----	6			
- 4	NAS679A3	NUT -----	5			
- 5	AN3-11A	BCLT -----	3			
- 6	0523921	ROLLER -----	3			
- 7	AN3-10A	BOLT -----	3			
		-----*				
- 8	1221007-10	SKIN-FLAP LOWER -----	1			
- 9	1221007-13	SKIN-FLAP LEADING EDGE INBOARD LH -----	1			
	1221007-14	SKIN-FLAP LEADING EDGE INBOARD RH -----	1			
-10	1221007-17	SKIN-FLAP LEADING EDGE OUTBOARD LH -----	1			
	1221007-18	SKIN-FLAP LEADING EDGE OUTBOARD RH -----	1			
-11	S1193-1	PLUG BUTTON -----	25			
-12	S237-4	DOUBLER ASSEMBLY -----	1			
	NAS395-14-3	NUT -----	3			
-13	S225-3	COVER-INSPECTION -----	1			
		ATTACHING PARTS -----				
	S1021Z8-8	SCREW -----	3			
		-----*				
-14	0523918	BRACKET-FLAP CONTROL -----	2			
		ATTACHING PARTS -----				
	NAS221-8	SCREW -----	2			
		-----*				
-15	1221007-21	SKIN-TRAILING EDGE OUTBOARD LH -----	1			
	1221007-22	SKIN-TRAILING EDGE OUTBOARD RH -----	1			
-16	1221076-5	SPAR-FORWARD FLAP LH -----	1			
	1221076-6	SPAR-FORWARD FLAP RH -----	1			
-17	1221076-7	SPAR-REAR FLAP LH -----	1			
	1221076-8	SPAR-REAR FLAP RH -----	1			
-18	1221084-7	DOUBLER LH -----	1			
	1221084-8	DOUBLER RH -----	1			
-19	1221084-9	DOUBLER LH -----	1			
	1221084-10	DOUBLER RH -----	1			
-20	1221084-11	DOUBLER LH -----	1			
	1221084-12	DOUBLER RH -----	1			
-21	1221077-7	RIB-FLAP TRAILING EDGE STA. 40.00 -----	1			
-22	1221080-5	RIB-FLAP TRAILING EDGE STA. 57.40 -----	1			
-23	1221080-6	RIB-FLAP TRAILING EDGE STA. 63.35 -----	1			
-24	1221078-8	RIB-FLAP TRAILING EDGE STA. 82.00 -----	1			
-25	1221080-7	RIB-FLAP TRAILING EDGE STA. 96.80 -----	1			
-26	1221080-8	RIB-FLAP TRAILING EDGE STA. 110.40 -----	1			
-27	1221079-8	RIB-FLAP TRAILING EDGE STA. 124.00 -----	1			
-28	1221083-1	RIB-FLAP CLOSING-INBOARD LH -----	1			
	1221083-2	RIB-FLAP CLOSING-INBOARD RH -----	1			
-29	1221082-1	RIB-FLAP CLOSING-OUTBOARD LH -----	1			
	1221082-2	RIB-FLAP CLOSING-OUTBOARD RH -----	1			
-30	1221077-9	RIB ASSEMBLY-LH INBOARD RH OUTBOARD STA. 40.00 -----	1			
-31	1221077-10	RIB ASSEMBLY-LH OUTBOARD RH INBOARD STA. 40.00 -----	1			
	1221077-8	RIB EXTENSION -----	1			
	NAS68CA3	NUTPLATE -----	1			
-32	1221081-9	RIB ASSEMBLY-FLAP NOSE STA. 54.70 -----	1			
	NAS680A3	NUTPLATE -----	2			
-33	1221081-6	RIB-FLAP NOSE STA. 68.35 -----	1			
-34	1221078-11	RIB ASSEMBLY-LH INBOARD RH OUTBOARD STA. 82.00 -----	1			
-35	1221078-12	RIB ASSEMBLY-LH OUTBOARD RH INBOARD STA. 82.00 -----	1			
	1221078-9	RIB EXTENSION -----	1			
	1221078-10	GUSSET -----	1			
-36	1221081-10	RIB ASSEMBLY-FLAP NOSE STA. 96.80 -----	1			
	NAS680A3	NUTPLATE -----	2			
-37	1221081-5	RIB-FLAP NOSE STA. 110.40 -----	1			
-38	1221079-9	RIB ASSEMBLY-LH INBOARD RH OUTBOARD STA. 124.00 -----	1			
-39	1221079-10	RIB ASSEMBLY-LH OUTBOARD RH INBOARD STA. 124.00 -----	1			
	1221079-8	RIB EXTENSION -----	1			
	1221078-10	GUSSET -----	1			
-40	1221123-1	RIB-FLAP TRAILING EDGE -----	1			
		ATTACHING PARTS -----				
	1601-0410	RIVET AVEX -----	4			
		-----*				
-41	1221007-19	SKIN-TRAILING EDGE INBOARD LH -----	1			
	1221007-20	SKIN-TRAILING EDGE INBOARD RH -----	1			
		ATTACHING PARTS -----				
-42	CR763-4-2	RIVET CY -----	4			
		-----*				

Empennage



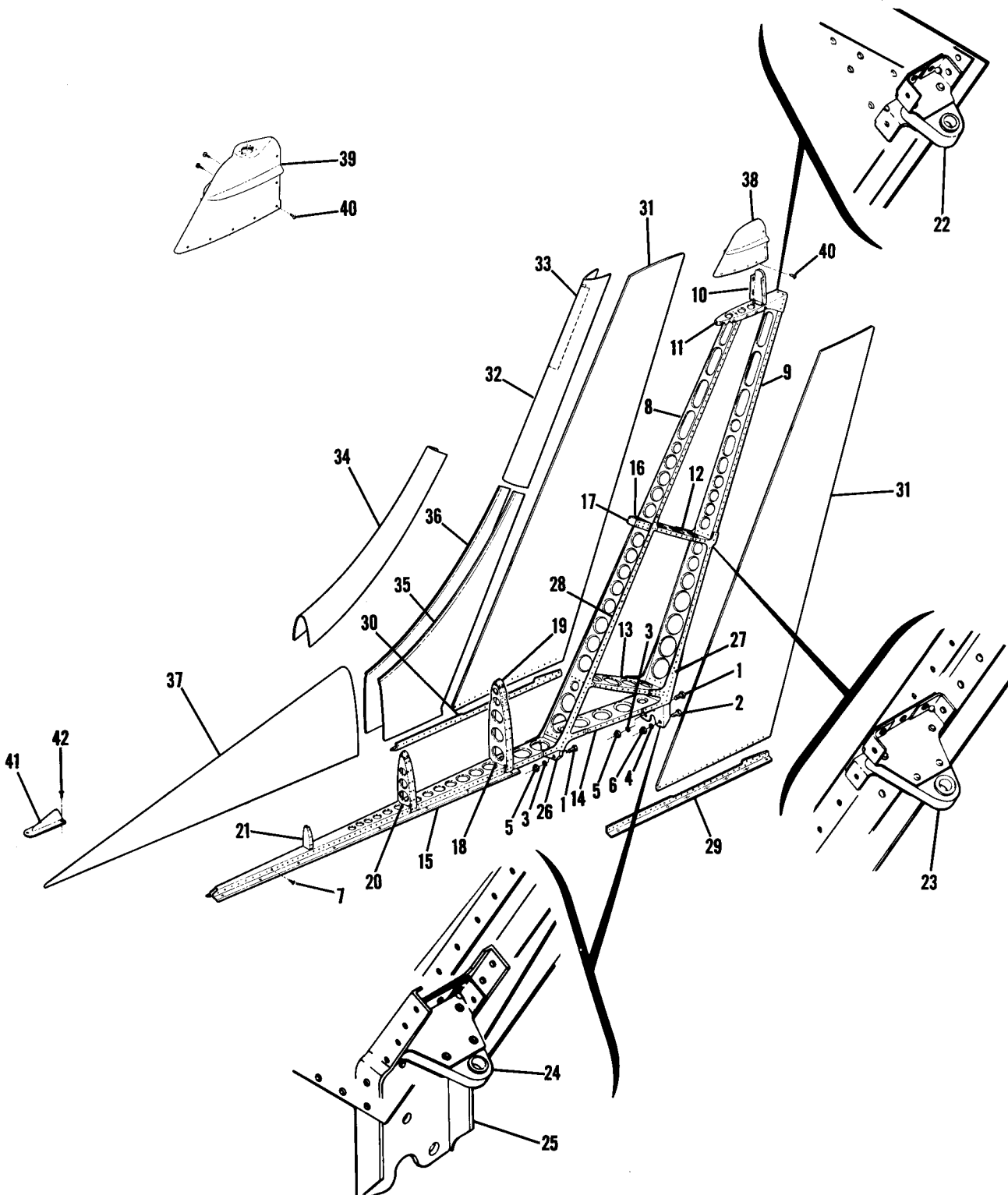
**210 SERIAL 21058819 THRU 21059061
T210 SERIAL T210-0198 THRU T210-0392**

Figure 9. Fin & Dorsal Installation



FIGURE AND INDEX NO.	PART NUMBER	DESCRIPTION	UNITS PER ASSY							USABLE ON CODE	
			1	2	3	4	5	6	7		
9 -	1231000-23	FIN & DORSAL INSTALLATION ----- FIN ASSEMBLY ----- ATTACHING PARTS -----								NP 1	A
- 1	AN5-6A	BOLT -----								3	
- 2	AN6-7A	BOLT -----								2	
- 3	AN960-516	WASHER -----								5	
- 4	AN960-616	WASHER -----								2	
- 5	NAS679A5	NUT -----								3	
- 6	NAS679A6	NUT -----								2	
- 7	NAS220-8	SCREW -----								2	
- 8	1231002-1	SPAR-FIN FORWARD -----								1	
- 9	1231002-2	SPAR-FIN AFT -----								1	
-10	1231010-3	RIB ASSEMBLY-FIN TIP-CAP -----								1	
	NAS696A08K	NUTPLATE KNM -----								2	
	NAS697A08K	NUTPLATE KNM -----								4	
-11	1231008-1	RIB ASSEMBLY-FIN UPPER -----								1	
	NAS698A08K	NUTPLATE -----								10	
-12	1231007-1	RIB-FIN CENTER -----								1	
-13	1231006-1	RIB-FIN LOWER -----								1	
-14	1231005-2	RIB-FIN BASE AFT -----								1	
-15	0731601-1	RIB-FIN BASE FORWARD -----								1	
-16	1231009-1	RIB ASSEMBLY-LEADING EDGE CENTER -----								1	
-17	1231009-3	STRIP-LEADING EDGE -----								1	
-18	0731602-1	RIB-DORSAL STA. 200.45 -----								1	
-19	0731602-2	STRIP-LEADING EDGE -----								1	
-20	0731603-1	RIB-DORSAL STA. 172.00 -----								1	
-21	1231023-3	BRACKET ASSEMBLY-HINGE UPPER -----								1	
-22	1231023-2	BRACKET ASSEMBLY-HINGE CENTER -----								1	
-23	1231023-1	BRACKET ASSEMBLY-HINGE LOWER -----								1	
	MS24461-4	BEARING -----								1	
-24	1231013-1	FITTING-FIN ATTACH AFT -----								1	
-25	1231012-1	FITTING-FIN ATTACH FORWARD -----								1	
-26	1231014-2	PLATE-SPAR DOUBLER AFT -----								2	
-27	1231014-3	PLATE-SPAR DOUBLER FORWARD -----								2	
-28	0731604-3	FAIRING-DORSAL TO FUSELAGE FORWARD LH -----								1	
-29	0731604-4	FAIRING-DORSAL TO FUSELAGE FORWARD RH -----								1	
-30	0731604-5	FAIRING ASSEMBLY-DORSAL TO FUSELAGE AFT LH -----								1	
-31	0731604-6	FAIRING ASSEMBLY-DORSAL TO FUSELAGE AFT RH -----								1	
	A6196-8Z3	NUT TIN AFT FAIRING ONLY -----								1	
	A6195-8Z3	NUT TIN AFT FAIRING ONLY -----								4	
-32	1231000-18	SKIN-FIN -----								2	
-33	1231000-4	SKIN-FIN LEADING EDGE UPPER -----								1	
-34	1231000-7	DOUBLER-LEADING EDGE SKIN -----								1	
-35	1231000-17	SKIN-FIN LEADING EDGE -----								1	
-36	1231000-15	SKIN-FIN LH -----								1	
-37	1231000-16	SKIN-FIN RH -----								1	
-38	1231000-14	SKIN-DORSAL -----								1	
-39	S1021Z8-6	SCREW -----								2	
-40	NAS446-4-3	NUT -----								2	
-41	0731606-1-791	CAP-FIN TIP -----								1	
-42	0731606-3-791	CAP-FIN TIP USED WITH FLASHING BEACON -----								1	
-43	NAS220-6	ATTACHING PARTS ----- SCREW -----								14	
-44	0731605-1	FAIRING DORSAL ----- ATTACHING PARTS ----- SCREW -----								1	
	AN525-832R7	SCREW -----								3	
<p>A---210 SERIAL 21058819 THRU 21059061 T210 SERIAL T210-0198 THRU T210-0392</p>											

Fuselage (Cont)



210 SERIAL 21059062 & ON
T210 SERIAL T210-0393 & ON

Figure 9A. Fin & Dorsal Installation



FIGURE AND INDEX NO.	PART NUMBER	DESCRIPTION	UNITS PER ASSY	USABLE ON CODE
		1 2 3 4 5 6 7		
9A-		FIN & DORSAL INSTALLATION -----	NP	A
	1231048-1	FIN ASSEMBLY -----	1	
		ATTACHING PARTS -----		
- 1	AN5-6A	BOLT -----	3	
- 2	AN6-7A	BOLT -----	2	
- 3	AN960-516	WASHER -----	5	
- 4	AN960-616	WASHER -----	2	
- 5	NAS679A5	NUT -----	3	
- 6	NAS679A6	NUT -----	2	
- 7	NAS220-8	SCREW -----	2	
		-----*		
- 8	1231002-1	SPAR-FIN FORWARD -----	1	
- 9	1231002-2	SPAR-FIN AFT -----	1	
-10	1231010-3	RIB ASSEMBLY-FIN TIP-CAP -----	1	
	NAS696A08K	NUTPLATE -----	2	
	NAS697A08K	NUTPLATE -----	2	
-11	1231008-1	RIB ASSEMBLY-FIN UPPER -----	1	
	NAS698A08K	NUTPLATE -----	10	
	NAS680A06	NUTPLATE -----	1	
-12	1231007-1	RIB-FIN CENTER -----	1	
-13	1231006-1	RIB-FIN LOWER -----	1	
-14	1231005-2	RIB-FIN BASE AFT -----	1	
-15	1231049-1	RIB-FIN BASE FORWARD -----	1	
-16	1231009-1	RIB ASSEMBLY-LEADING EDGE CENTER -----	1	
-17	1231009-3	STRIP-LEADING EDGE -----	1	
-18	0731602-1	RIB-DORSAL STA 200.45 -----	1	
-19	0731602-2	STRIP-LEADING EDGE -----	1	
-20	1231049-2	RIB-DORSAL STA 180.00 -----	1	
-21	1231049-3	RIB-DORSAL STA 160.00 -----	1	
-22	1231023-3	BRACKET ASSEMBLY-HINGE UPPER -----	1	
-23	1231023-2	BRACKET ASSEMBLY-HINGE CENTER -----	1	
-24	1231023-1	BRACKET ASSEMBLY-HINGE LOWER -----	1	
	MS24461-4	BEARING -----	1	
-25	1231013-1	FITTING-FIN ATTACH AFT -----	1	
-26	1231012-1	FITTING-FIN ATTACH FORWARD -----	1	
-27	1231014-2	PLATE-SPAR DOUBLER AFT -----	2	
-28	1231014-3	PLATE-SPAR DOUBLER FORWARD -----	2	
-29	0731604-5	FAIRING ASSEMBLY-DORSAL TO FUSELAGE AFT LH -----	1	
-30	0731604-6	FAIRING ASSEMBLY-DORSAL TO FUSELAGE AFT RH -----	1	
	A6196-8Z3	NUT TIN -----	1	
	A6195-8Z3	NUT TIN -----	4	
-31	1231000-18	SKIN-FIN -----	2	
-32	1231000-4	SKIN-FIN LEADING EDGE UPPER -----	1	
-33	1231000-7	COUBLER-LEADING EDGE SKIN -----	1	
-34	1231000-17	SKIN-FIN LEADING EDGE -----	1	
-35	1231000-15	SKIN-FIN LH -----	1	
-36	1231000-16	SKIN-FIN RH -----	1	
-37	1231048-2	SKIN-DORSAL -----	1	
-38	0731606-1-791	CAP-FIN TIP -----	1	
-39	0731606-3-791	CAP-FIN TIP USED WITH FLASHING BEACON -----	1	
-40	NAS220-6	SCREW -----	14	
-41	1231050-1	FAIRING-DORSAL FIN -----	1	
		ATTACHING PARTS -----		
-42	AN525-832R7	SCREW -----	3	
		-----*		
		A---210 SERIAL 21059062 & ON T210 SERIAL T210-0393 & ON		

Empennage Cont)

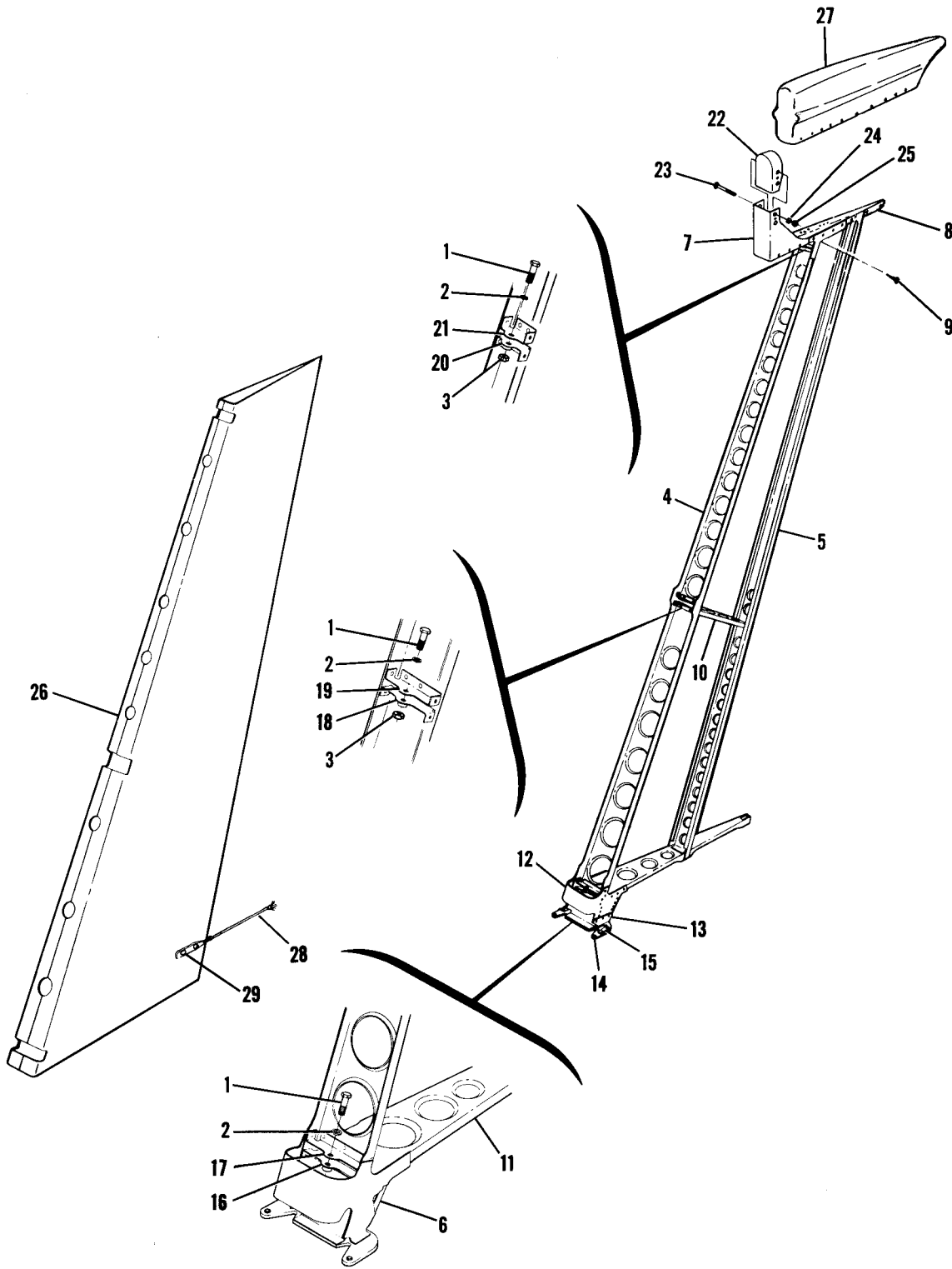


Figure 10. Rudder Installation

FIGURE AND INDEX NO.	PART NUMBER	DESCRIPTION	UNITS PER ASSY	USABLE ON CODE
10 -	1231001-8	RUDDER INSTALLATION ----- RUDDER ASSEMBLY ----- ATTACHING PARTS -----	NP 1	
- 1	AN4-11A	BOLT -----	3	
- 2	AN960-416	WASHER -----	3	
- 3	NAS679A4	NUT -----	3	
		-----*-----		
- 4	1231015-1	SPAR-RUDDER FORWARD -----	1	
- 5	1231015-2	SPAR-RUDDER AFT -----	1	
- 6	1231015-3	SPAR-BELLCRANK -----	1	
	1231033-1	RIB ASSEMBLY-RUDDER TIP FORWARD -----	1	
- 7	1231030-1	BRACKET-FORWARD -----	1	
	1231031-1	RIB TIP-FORWARD -----	1	
	NAS680A08K	NUTPLATE -----	8	
	NAS697A08K	NUTPLATE -----	2	
	NAS680A08K	NUTPLATE -----	4	
- 8	1231032-1	RIB-RUDDER TIP AFT -----	1	
	1231029-1	BRACKET-AFT LH -----	1	
	1231029-2	BRACKET-AFT RH -----	1	
	NAS696A08K	NUTPLATE -----	3	
	NAS697A08K	NUTPLATE -----	2	
	NAS698A08K	NUTPLATE -----	1	
- 9	NAS220-8	SCREW -----	2	
-10	1231017-1	RIB-RUDDER CENTER -----	1	
-11	1231016-1	RIB-RUDDER LOWER -----	1	
-12	1231022-1	GUSSET-RUDDER BELLCRANK -----	1	
-13	1231026-1	BRACKET-RUDDER BELLCRANK LH -----	1	
	1231026-2	BRACKET-RUDDER BELLCRANK RH -----	1	
-14	1231021-1	BELLCRANK ASSEMBLY-RUDDER -----	1	
-15	1231021-3	BRACKET LH -----	1	
	1231021-2	BRACKET RH -----	1	
	0733103	BUSHING -----	2	
-16	1231023-16	BRACKET-HINGE LOWER LOWER HINGE -----	1	
-17	1231023-19	BRACKET-HINGE UPPER LOWER HINGE -----	1	
-18	1231023-17	BRACKET-HINGE LOWER CENTER HINGE -----	1	
-19	1231023-20	BRACKET-HINGE UPPER CENTER HINGE -----	1	
-20	1231023-18	BRACKET-HINGE LOWER UPPER HINGE -----	1	
-21	1231023-21	BRACKET-HINGE UPPER UPPER HINGE -----	1	
-22	1231045-1	BALANCE WEIGHT-RUDDER ----- ATTACHING PARTS -----	1	
-23	AN509-10R31	SCREW -----	3	
-24	AN960-10	WASHER -----	3	
-25	NAS679A3	NUT -----	3	
		-----*-----		
-26	1231001-3	SKIN-RUDDER -----	1	
-27	0731606-6-791	CAP-RUDDER TIP ----- ATTACHING PARTS -----	1	
	NAS220-6	SCREW -----	8	
	NAS220-8	SCREW -----	12	
		-----*-----		
-28	5169	STATIC DISCHARGER FERY -----	1	A
	C592001-0101	STATIC DISCHARGER ----- ATTACHING PARTS -----	1	B
-29	NAS1329A08K75	RIVNUT -----	2	A
	AN515-8R8	SCREW -----	2	A
	AN936A8	WASHER -----	2	A
	NAS1329A06K75	RIVNUT -----	2	B
	AN515-6R8	SCREW -----	2	B
	AN936A6	WASHER -----	2	B
		-----*-----		
		A---210 SERIAL 21058819 THRU 21058963 T210 SERIAL T210-0198 THRU T210-0334		
		B---210 SERIAL 21058964 & ON T210 SERIAL T210-0335 & ON		

Empennage (cont)

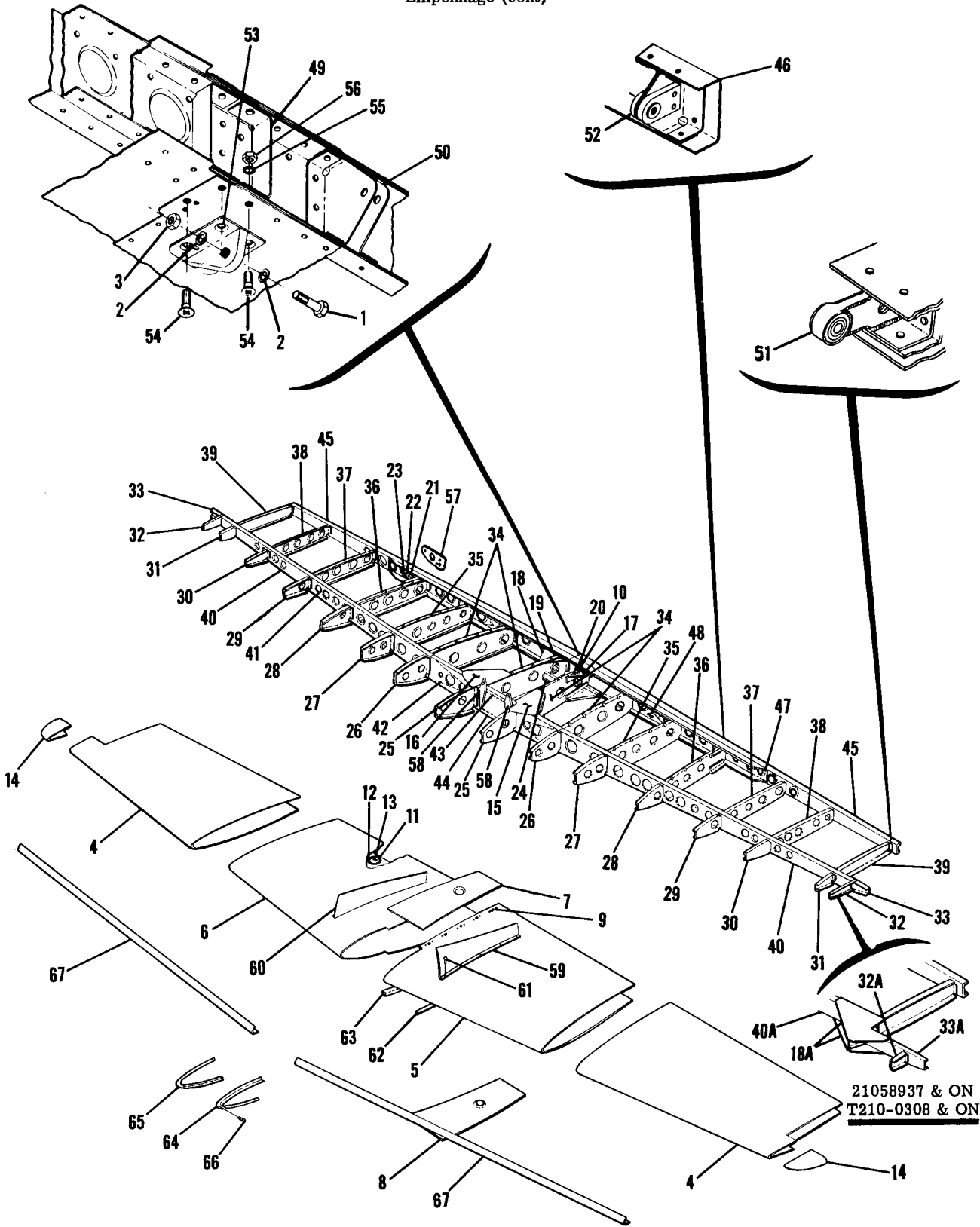


Figure 11. Stabilizer Installation

FIGURE AND INDEX NO.	PART NUMBER		DESCRIPTION	UNITS PER ASSY	USABLE ON CODE
			1 2 3 4 5 6 7		
11 -	1232600-9	*	STABILIZER INSTALLATION -----	NP	
	1232600-13	**	STABILIZER ASSEMBLY WHEN EXHAUSTED USE 1232600-15 -----	1	A
	1232600-15		STABILIZER ASSEMBLY WHEN EXHAUSTED USE 1232600-15 -----	1	B
			STABILIZER ASSEMBLY -----	1	C
			ATTACHING PARTS -----		
- 1	AN4-11A		BOLT -----	4	
- 2	AN960-416		WASHER -----	6	
- 3	NAS679A4		NUT -----	2	
			-----*		
- 4	1232600-12	*	SKIN-STABILIZER OUTBOARD -----	2	A
	1232600-14	**	SKIN-STABILIZER OUTBOARD -----	2	B
	1232600-16		SKIN-STABILIZER OUTBOARD -----	2	C
- 5	1232600-11		SKIN-STABILIZER INBOARD LH -----	1	
- 6	1232600-10		SKIN-STABILIZER INBOARD RH -----	1	
- 7	1232600-5		SKIN-STABILIZER CENTER UPPER -----	1	
- 8	0732600-3		SKIN-STABILIZER CENTER LOWER -----	1	
- 9	A6195-8Z3		NUT TIN -----	10	
-10	A6196-8Z3		NUT TIN -----	2	
-11	1232142-1		DOUBLER-STABILIZER SKIN -----	1	
-12	NAS395-14-3		NUT -----	4	
-13	1212141-1		PLATE-TAB ACTUATOR COVER -----	1	
			ATTACHING PARTS -----		
	S1021Z8-8		SCREW -----	4	
			-----*		
-14	1232616-1-791	*	TIP-STABILIZER -----	2	A
	1232010-1-791	**	TIP-STABILIZER -----	2	B
	1232012-1-791		TIP-STABILIZER -----	2	C
			ATTACHING PARTS -----		
	CR763C4-4		RIVET-CHERRY -----	12	
			-----*		
-15	1232613-2		DOUBLER-STABILIZER UPPER LH & LOWER RH FORWARD -----	2	
-16	1232613-1		DOUBLER-STABILIZER LOWER LH & UPPER RH FORWARD -----	2	
-17	1232606-4		DOUBLER-STABILIZER UPPER LH & LOWER RH AFT -----	2	
-18	1232606-3		DOUBLER-STABILIZER LOWER LH & UPPER RH AFT -----	2	
-18A	1232009-1	**	DOUBLER-STABILIZER -----	4	B
	1232011-1		DOUBLER-STABILIZER -----	4	C
-19	0732106-2		REINFORCEMENT-STABILIZER LH AFT -----	1	
-20	0732106-3		REINFORCEMENT-STABILIZER RH AFT -----	1	
-21	1232139-1		BRACKET ASSEMBLY-TRIM TAB ACTUATOR MOUNTING -----	1	
-22	NAS696A3		NUTPLATE -----	4	
-23	NAS697A3		NUTPLATE -----	1	
-24	1232140-1		BRACKET-TRIM TAB PULLEY -----	1	
-25	1232619-1		RIB-STABILIZER NOSE CANTED STA. 8.075 -----	2	
-26	1232619-2		RIB-STABILIZER NOSE CANTED STA. 14.740 -----	2	
-27	0732611-4		RIB-STABILIZER NOSE STA. 24.54 -----	2	
-28	0732611-3		RIB-STABILIZER NOSE STA. 35.915 -----	2	
-29	0732611-2		RIB-STABILIZER NOSE STA. 45.415 -----	2	
-30	0732611-1		RIB-STABILIZER NOSE STA. 58.915 -----	2	
-31	1232603-2	*	RIB-STABILIZER NOSE STA. 69.603 -----	2	A
	1232603-3		RIB-STABILIZER NOSE STA. 69.603 -----	2	C
-32	1232618-1	*	RIB-STABILIZER TIP STA. 74.733 -----	2	A
-32A	1232007-1	**	RIB-STABILIZER TIP STA. 74.733 -----	2	B
	1232007-2		RIB-STABILIZER TIP STA. 74.733 -----	2	C
-33	1232617-1	*	RIB-LATERIAL -----	2	A
-33A	1232008-1	**	RIB-STABILIZER OUTBOARD -----	2	B
	1232008-2		RIB-STABILIZER OUTBOARD -----	2	C
-34	1232106-1		RIB-STABILIZER INBOARD CANTED -----	4	
-35	1232105		RIB-STABILIZER CENTER STA. 24.54 -----	2	
-36	1232104		RIB-STABILIZER CENTER CANTED -----	2	
-37	0732610-6		RIB-STABILIZER CENTER STA. 45.415 -----	2	
-38	0732610-5		RIB-STABILIZER CENTER STA. 58.915 -----	2	
-39	1232603-1		RIB-STABILIZER CENTER STA. 69.603 -----	2	
	1232622-1	*	SPAR ASSEMBLY-STABILIZER FRCNT -----	1	A
	1232622-7	**	SPAR ASSEMBLY-STABILIZER FRCNT -----	1	B
	1232622-7		SPAR ASSEMBLY-STABILIZER -----	1	C
-40	1232622-2	*	SPAR-FRONT -----	2	A
-40A	1232622-8	**	SPAR-FRONT -----	1	B
	1232622-8		SPAR-FRONT -----	1	C

CONTINUED ON NEXT PAGE

FIGURE AND INDEX NO.	PART NUMBER	DESCRIPTION	UNITS PER ASSY	USABLE ON CODE
11 -41	1232622-4	SPLICE -----	1	
-42	1232622-3	CHANNEL -----	1	
-43	1232622-5	SUPPORT-ANGLE -----	1	
-44	1232622-6	SUPPORT ANGLE -----	1	
	1232621-1	SPAR ASSEMBLY-STABILIZER REAR -----	1	
-45	1332621-2	SPAR-REAR -----	2	
-46	1232621-3	CHANNEL -----	1	
-47	1232621-4	CHANNEL -----	1	
-48	1232621-5	CHANNEL -----	1	
-49	1232623-1	REINFORCEMENT -----	2	
-50	1232612-1	BRACKET-HINGE -----	2	
-51	1234626-1	HINGE ASSEMBLY-STABILIZER OUTBOARD -----	2	
-52	C732100-7	HINGE ASSEMBLY-STABILIZER INBOARD -----	2	
-53	1232400-1	BRACKET ASSEMBLY LH -----	1	
	1232400-2	BRACKET ASSEMBLY RH -----	1	
		ATTACHING PARTS		
-54	AN509-416R13	SCREW -----	3	
-55	AN960-416	WASHER -----	3	
-56	NAS679A4	NUT -----	3	
		---*---		
-57	1234023-1	BRACE -----	1	
		ATTACHING PARTS		
	NAS221-13	SCREW -----	3	
	AN960-10	WASHER -----	2	
	NAS679A3	NUT -----	2	
		---*---		
-58	0732601-5	FITTING-STABILIZER FRONT -----	2	
-59	1212426-1	FAIRING-STABILIZER UPPER LH -----	1	
-60	1212426-2	FAIRING-STABILIZER UPPER RH -----	1	
		ATTACHING PARTS		
-61	S1021Z8-6	SCREW -----	12	
		---*---		
-62	1212426-3	FAIRING-STABILIZER LOWER LH -----	1	
-63	1212426-4	FAIRING-STABILIZER LOWER RH -----	1	
		ATTACHING PARTS		
	S1021Z8-6	SCREW -----	5	
	NAS395-12-3	NUT -----	5	
		---*---		
-64	1212013-1	FAIRING-STABILIZER FORWARD LH -----	1	
-65	1212013-2	FAIRING-STABILIZER FORWARD RH -----	1	
		ATTACHING PARTS		
-66	S1021Z8-6	SCREW -----	4	
		---*---		
-67	C332136-6	BCDT ABRASION -----	2	
<p>NOTE. *APPLIES TO AIRPLANES THAT ARE NOT EQUIPPED WITH WING & STABILIZER DE-ICE SYSTEM.</p> <p>NOTE. **APPLIES TO AIRPLANES THAT ARE EQUIPPED WITH WING & STABILIZER DE-ICE SYSTEM.</p> <p>A---210 SERIAL 21058819 THRU 21059037 T210 SERIAL T210-0198 THRU T210-0381</p> <p>B---210 SERIAL 21058937 THRU 21059037 T210 SERIAL T210-0308 THRU T210-0381</p> <p>C---210 SERIAL 21059038 & ON T210 SERIAL T210-0382 & ON</p>				

FIGURE AND INDEX NO.	PART NUMBER	DESCRIPTION	UNITS PER ASSY	USABLE ON CODE
12 -		1 2 3 4 5 6 7		
	1234633-3	ELEVATOR INSTALLATION -----	NP	
	1234633-2	ELEVATOR ASSEMBLY LH -----	1	
		ELEVATOR ASSEMBLY RH -----	1	
		ATTACHING PARTS -----		
- 1	AN4-11A	BOLT -----	2	
- 2	AN960-416	WASHER -----	2	
- 3	NAS679A4	NUT -----	1	
		-----*		
- 4	1234628-1	TRIM TAB ASSEMBLY-ELEVATOR RH -----	1	
		ATTACHING PARTS -----		
- 5	1234024-5	PIN HINGE -----	1	
- 6	AN515-8R7	SCREW -----	1	
- 7	NAS697A08	NUTPLATE -----	1	
		-----*		
- 8	1234628-2	SKIN-TRIM TAB UPR -----	1	
- 9	1234628-3	SKIN-TRIM TAB LWR -----	1	
-10	1234010-1	SPACER-TRIM TAB -----	1	
-11	1234009-6	BRACKET ASSEMBLY -----	1	
-12	1234028-1	RIB INBOARD-TRIM TAB -----	1	
-13	1234628-5	HINGE HALF-TRIM TAB -----	1	
-14	1234640-1-791	TIP-ELEVATOR LH -----	1	
-15	1234640-2-791	TIP-ELEVATOR RH -----	1	
-16	1234633-15	TRAILING EDGE ASSEMBLY LH -----	1	
-17	1234633-11	SKIN-UPPER TRAILING EDGE -----	1	
-18	1234633-13	SKIN-LOWER TRAILING EDGE -----	1	
	1234633-5	SPACER-ELEVATOR TRAILING EDGE -----	1	
	CR163-4-2	RIVET-CHERRY -----	3	
-19	1234633-4	TRAILING EDGE ASSEMBLY-INBOARD RH -----	1	
-20	1234633-6	SKIN UPPER INBOARD -----	1	
-21	1234633-12	SKIN LOWER INBOARD -----	1	
	1234633-14	SPACER-RH INBOARD TRAILING EDGE -----	1	
	CR163-4-2	RIVET-CHERRY -----	4	
-22	1234620-16	SKIN ASSEMBLY-TRAILING EDGE OUTBOARD RH -----	1	
-23	1234620-19	SKIN UPPER OUTBOARD -----	1	
-24	1234620-20	SKIN LOWER OUTBOARD -----	1	
	1234620-21	SPACER-TRAILING EDGE OUTBOARD -----	1	
-25	1234633-17	SKIN-ELEVATOR BALANCE LH -----	1	
-26	1234633-16	SKIN-ELEVATOR BALANCE RH -----	1	
-27	1234633-7	SKIN-UPPER LH -----	1	
-28	1234633-8	SKIN-UPPER RH -----	1	
-29	1234633-9	SKIN-LOWER LH -----	1	
-30	1234633-10	SKIN-LOWER RH -----	1	
-31	1234649-1	GUSSET-UPPER -----	1	
	1234649-2	GUSSET-LOWER -----	1	
-32	1234634-1	DOUBLER-ELEVATOR LH -----	1	
-33	1234634-2	DOUBLER-ELEVATOR RH -----	1	
-34	1234638-3	SPAR-AFT LH -----	1	
-35	1234638-4	SPAR-AFT RH -----	1	
-36	1234627-1	HINGE HALF-ELEVATOR RH -----	1	
	1234635-1	RIB-ELEVATOR LH STA. 70.523 -----	1	
-37	1234635-2	RIB-ELEVATOR RH STA. 70.523 -----	1	
-38	1234641-1	RIB-ELEVATOR CANTED LH -----	1	
-39	1234641-2	RIB-ELEVATOR CANTED RH -----	1	
-40	1234642-1	RIB-ELEVATOR CANTED LH -----	1	
-41	1234642-2	RIB-ELEVATOR CANTED RH -----	1	
-42	1234623-1	RIB-ELEVATOR LH STA. 58.725 -----	1	
-43	1234623-2	RIB-ELEVATOR RH STA. 58.725 -----	1	
-44	1234022-1	RIB-ELEVATOR LH STA. 47.440 -----	1	
-45	1234022-2	RIB-ELEVATOR RH STA. 47.440 -----	1	
-46	1234017-1	RIB-ELEVATOR LH STA. 34.865 -----	1	
-47	1234035-1	RIB-ELEVATOR LH STA. 24.540 -----	1	

CONTINUED ON NEXT PAGE

Empennage (Cont)

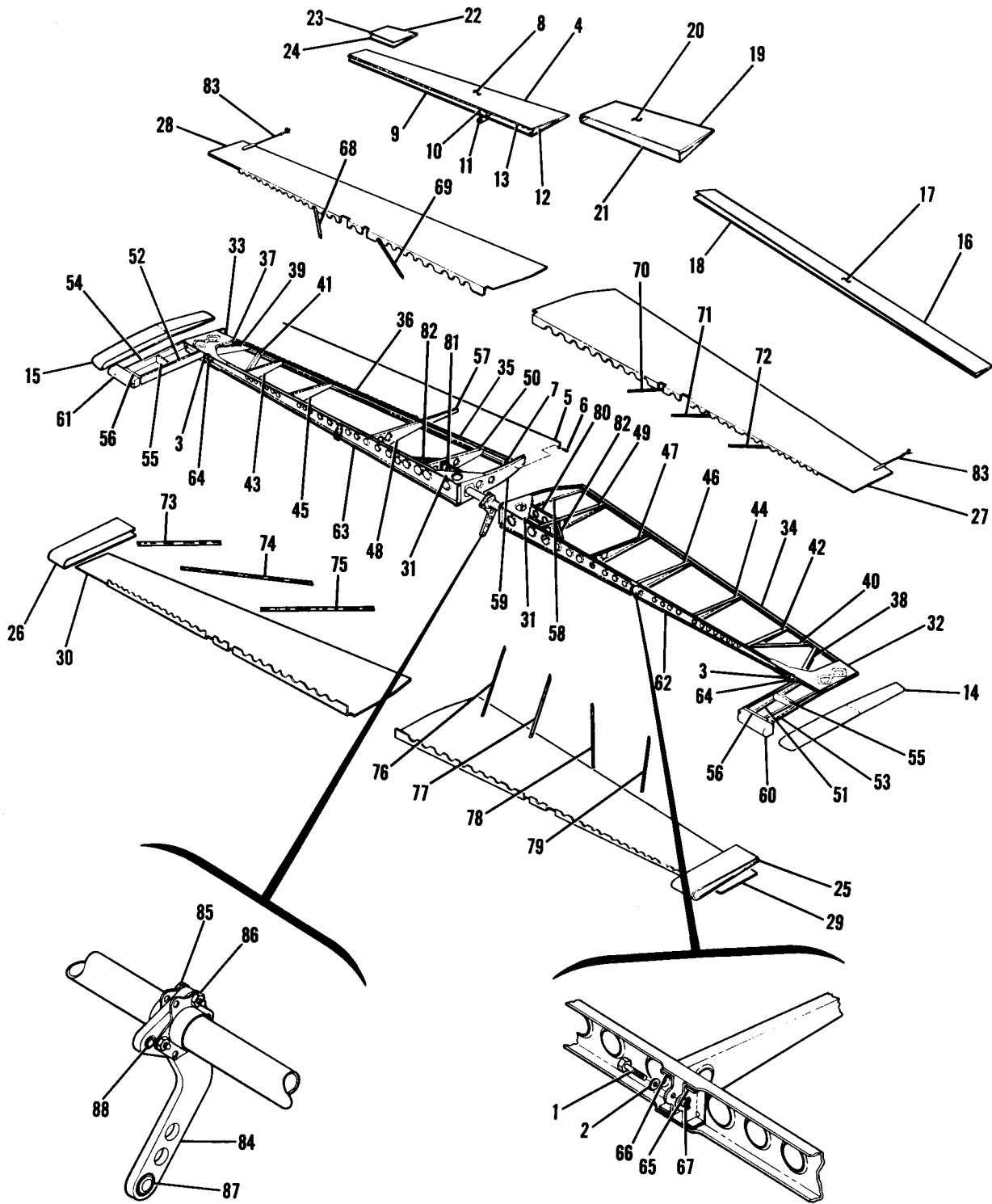


Figure 12. Elevator Installation



FIGURE AND INDEX NO.	PART NUMBER	DESCRIPTION							UNITS PER ASSY	USABLE ON CODE
		1	2	3	4	5	6	7		
12 -48	1234014-1	RIB-ELEVATOR RH	STA. 26.865	-----	-----	-----	-----	-----	1	
-49	1234036-1	RIB-ELEVATOR LH	STA. 13.290	-----	-----	-----	-----	-----	1	
-50	1234036-2	RIB-ELEVATOR RH	STA. 13.290	-----	-----	-----	-----	-----	1	
-51	1234636-1	RIB-ELEVATOR LH	STA. 70.523	FWD	-----	-----	-----	-----	1	
-52	1234636-2	RIB-ELEVATOR RH	STA. 70.523	FWD	-----	-----	-----	-----	1	
	1234637-1	RIB ASSEMBLY-ELEVATOR	-----	-----	-----	-----	-----	-----	1	
-53	1234637-3	RIB-LH	STA. 74.733	-----	-----	-----	-----	-----	1	
-54	1234637-2	RIB-RH	STA. 74.733	-----	-----	-----	-----	-----	1	
	1234637-4	SPACER	-----	-----	-----	-----	-----	-----	1	
	AN960PD21	WASHER	-----	-----	-----	-----	-----	-----	1	
-55	1234639-3	RIB-ELEVATOR	-----	-----	-----	-----	-----	-----	1	
-56	1234639-1	RIB ASSEMBLY-ELEVATOR	-----	-----	-----	-----	-----	-----	1	
	NAS680A3	NUTPLATE	-----	-----	-----	-----	-----	-----	2	
-57	1234014-2	RIB-ELEVATOR RH AFT	STA. 26.865	-----	-----	-----	-----	-----	1	
-58	1234037-1	RIB-ELEVATOR LH	STA. 4.750	-----	-----	-----	-----	-----	1	
-59	1234037-2	RIB-ELEVATOR RH	STA. 4.750	-----	-----	-----	-----	-----	1	
-60	1234605-7	WEIGHT-ELEVATOR BALANCE LH	-----	-----	-----	-----	-----	-----	1	
-61	1234605-8	WEIGHT-ELEVATOR BALANCE RH	-----	-----	-----	-----	-----	-----	1	
		ATTACHING PARTS	-----	-----	-----	-----	-----	-----		
	AN5C9-10R34	SCREW	-----	-----	-----	-----	-----	-----	2	
	AN3-15A	BOLT	-----	-----	-----	-----	-----	-----	2	
	AN960-10L	WASHER	-----	-----	-----	-----	-----	-----	2	
		---*---	-----	-----	-----	-----	-----	-----		
-62	1234638-1	SPAR-FORWARD LH	-----	-----	-----	-----	-----	-----	1	
-63	1234638-2	SPAR-FORWARD RH	-----	-----	-----	-----	-----	-----	1	
	1234638-5	CHANNEL-SPAR REINFORCEMENT	-----	-----	-----	-----	-----	-----	1	
-64	1234625-1	HINGE ASSEMBLY	-----	-----	-----	-----	-----	-----	1	
-65	1234C08-2	BRACKET-ELEVATOR HINGE INBOARD	STA. 26.625	LH	-----	-----	-----	-----	1	
-66	1234008-1	BRACKET-ELEVATOR HINGE INBOARD	STA. 26.625	RH	-----	-----	-----	-----	1	
-67	NAS698A4	NUT-ANCHOR	-----	-----	-----	-----	-----	-----	1	
-68	1234648-10	STIFFENER-UPPER RH	-----	-----	-----	-----	-----	-----	1	
-69	1234648-6	STIFFENER-UPPER RH	-----	-----	-----	-----	-----	-----	1	
-70	1234648-7	STIFFENER-UPPER LH	-----	-----	-----	-----	-----	-----	1	
-71	1234648-11	STIFFENER-UPPER LH	-----	-----	-----	-----	-----	-----	1	
-72	1234648-15	STIFFENER-UPPER LH	-----	-----	-----	-----	-----	-----	1	
-73	1234648-12	STIFFENER-LOWER RH	-----	-----	-----	-----	-----	-----	1	
-74	1234648-8	STIFFENER-LOWER RH	-----	-----	-----	-----	-----	-----	1	
-75	1234648-2	STIFFENER-LOWER RH	-----	-----	-----	-----	-----	-----	1	
-76	1234648-1	STIFFENER-LOWER LH	-----	-----	-----	-----	-----	-----	1	
-77	1234648-5	STIFFENER-LOWER LH	-----	-----	-----	-----	-----	-----	1	
-78	1234648-9	STIFFENER-LOWER LH	-----	-----	-----	-----	-----	-----	1	
-79	1234648-13	STIFFENER-LOWER LH	-----	-----	-----	-----	-----	-----	1	
-80	1234646-1	SPAR-AUXILIARY LH	-----	-----	-----	-----	-----	-----	1	
-81	1234646-2	SPAR-AUXILIARY RH	-----	-----	-----	-----	-----	-----	1	
-82	1234647-1	SPAR-AUXILIARY	-----	-----	-----	-----	-----	-----	1	
-83	5169	STATIC DISCHARGER	FERY	-----	-----	-----	-----	-----	2	A
	C592001-0101	STATIC DISCHARGER	-----	-----	-----	-----	-----	-----	2	B
		ATTACHING PARTS	-----	-----	-----	-----	-----	-----		
	AN515-8R6	SCREW	-----	-----	-----	-----	-----	-----	2	A
	NAS679A08	NUT	-----	-----	-----	-----	-----	-----	2	A
	AN960-8	WASHER	-----	-----	-----	-----	-----	-----	2	A
	AN515-6R6	SCREW	-----	-----	-----	-----	-----	-----	2	B
	NAS679A06	NUT	-----	-----	-----	-----	-----	-----	2	B
	AN960-6	WASHER	-----	-----	-----	-----	-----	-----	2	B
		---*---	-----	-----	-----	-----	-----	-----		
-84	1260133-1	ARM ASSEMBLY-ELEVATOR	-----	-----	-----	-----	-----	-----	1	
		ATTACHING PARTS	-----	-----	-----	-----	-----	-----		
-85	AN4-7A	BOLT	-----	-----	-----	-----	-----	-----	3	
-86	NAS679A4	NUT	-----	-----	-----	-----	-----	-----	3	
	AN960-4	WASHER	-----	-----	-----	-----	-----	-----	3	
		---*---	-----	-----	-----	-----	-----	-----		
-87	MS2C200KP4	BEARING-LOWER	-----	-----	-----	-----	-----	-----	1	
-88	MS24461-4	BEARING-UPPER	-----	-----	-----	-----	-----	-----	1	
		A---210 SERIAL 21058819 THRU 21058963	-----	-----	-----	-----	-----	-----		
		T210 SERIAL T210-0198 THRU T210-0334	-----	-----	-----	-----	-----	-----		
		B---210 SERIAL 21058964 & ON	-----	-----	-----	-----	-----	-----		
		T210 SERIAL T210-0335 & ON	-----	-----	-----	-----	-----	-----		

Fuselage

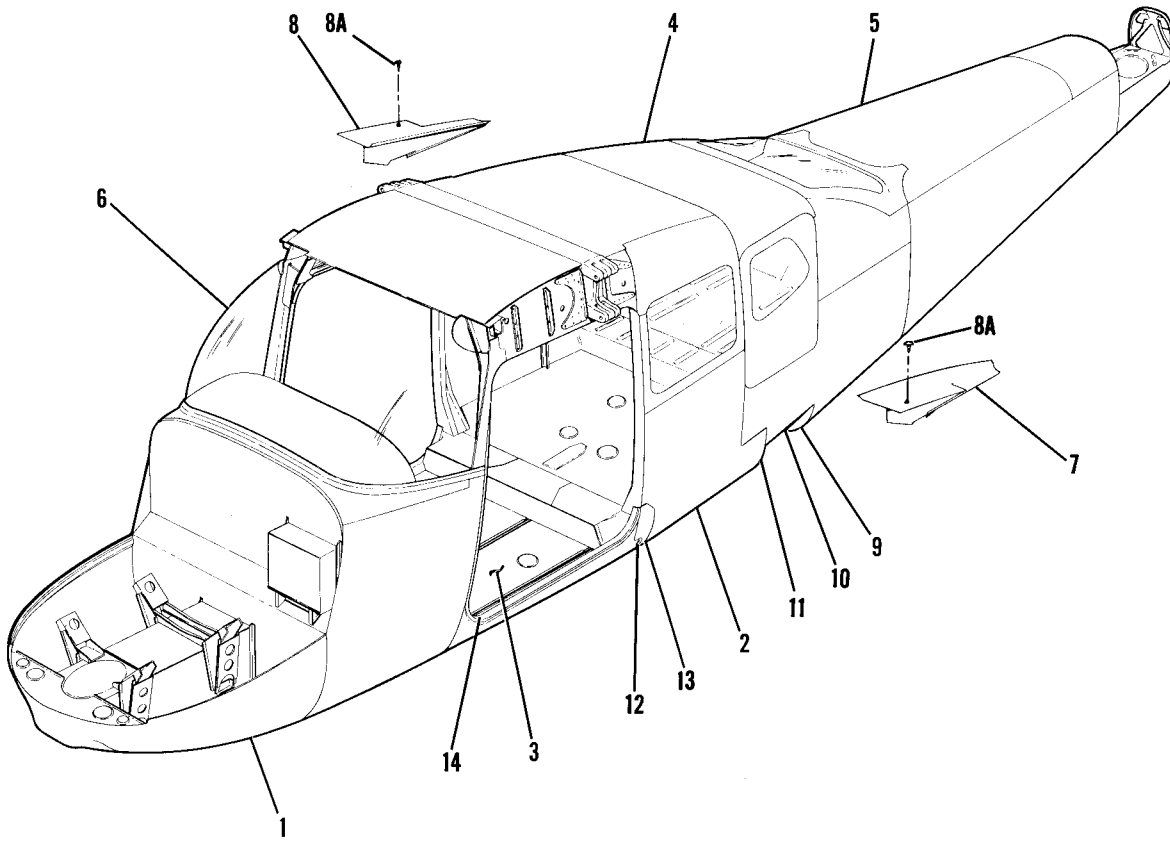


Figure 13. Fuselage Assembly

FIGURE AND INDEX NO.	PART NUMBER	DESCRIPTION	UNITS PER ASSY	USABLE ON CODE
		1 2 3 4 5 6 7		
13 -		FUSELAGE ASSEMBLY -----	NP	
- 1	SEE FIG 14	FRONT & CENTER SECTION ASSEMBLY -----	1	
- 2	SEE FIG 20	LOWER CABIN SECTION COMPONENTS -----	1	
- 3	SEE FIG 23	FLOORBOARDS INSTALLATION -----	1	
- 4	SEE FIG 24	UPPER AFT CABIN SECTION COMPONENTS -----	1	
- 5	SEE FIG 28	TAILCONE INSTALLATION -----	1	
- 6	SEE FIG 27	WINDSHIELD INSTALLATION -----	1	
- 7	1211715-1	FILLET-WING LH -----	1	A
	1220120-1	FILLET-WING LH -----	1	B
- 8	1211715-2	FILLET-WING RH -----	1	A
	1220120-2	FILLET-WING RH -----	1	B
		ATTACHING PARTS		
- 8A	S1021Z8-8	SCREW ATTACH TO WING -----	3	
		*-----		
	S1051-1	GROMMET 3.93 IN LG BULK ITEM REF S1051-1-3.93 -----	1	A
	S1051-1	GROMMET 3.93 IN LG BULK ITEM REF S1051-1-3.93 -----	1	B
		LH ONLY		
	1211715-9	SEAL -----	1	
	A6162-8Z3	NUTPLATE TIN -----	1	B
- 9	S1042-1	SEAL-5.50 IN LG BULK ITEM REF S1042-1-5.50 -----	2	
-10	S1042-1	SEAL-2.30 IN LG BULK ITEM REF S1042-1-2.30 -----	2	
-11	S1042-1	SEAL-5.80 IN LG BULK ITEM REF S1042-1-5.80 -----	2	
-12	S1042-1	SEAL-7.50 IN LG BULK ITEM REF S1042-1-7.50 -----	2	
-13	S1042-1	SEAL-30.25 IN LG BULK ITEM REF S1042-1-30.25 -----	2	
		ATTACHING PARTS		
	AN960-6L	WASHER -----	2	
	S1021Z4-6	SCREW -----	2	
		*-----		
-14	SEE FIG 2	NAMEPLATE-M.A.A. -----	NP	
		PLATE-FINISH AND TRIM -----	1	
		 A---210 SERIAL 21058819 THRU 21059061 T210 SERIAL T210-0198 THRU T210-0392 B---210 SERIAL 21059062 & ON T210 SERIAL T210-0393 & ON		

Fuselage (Cont)

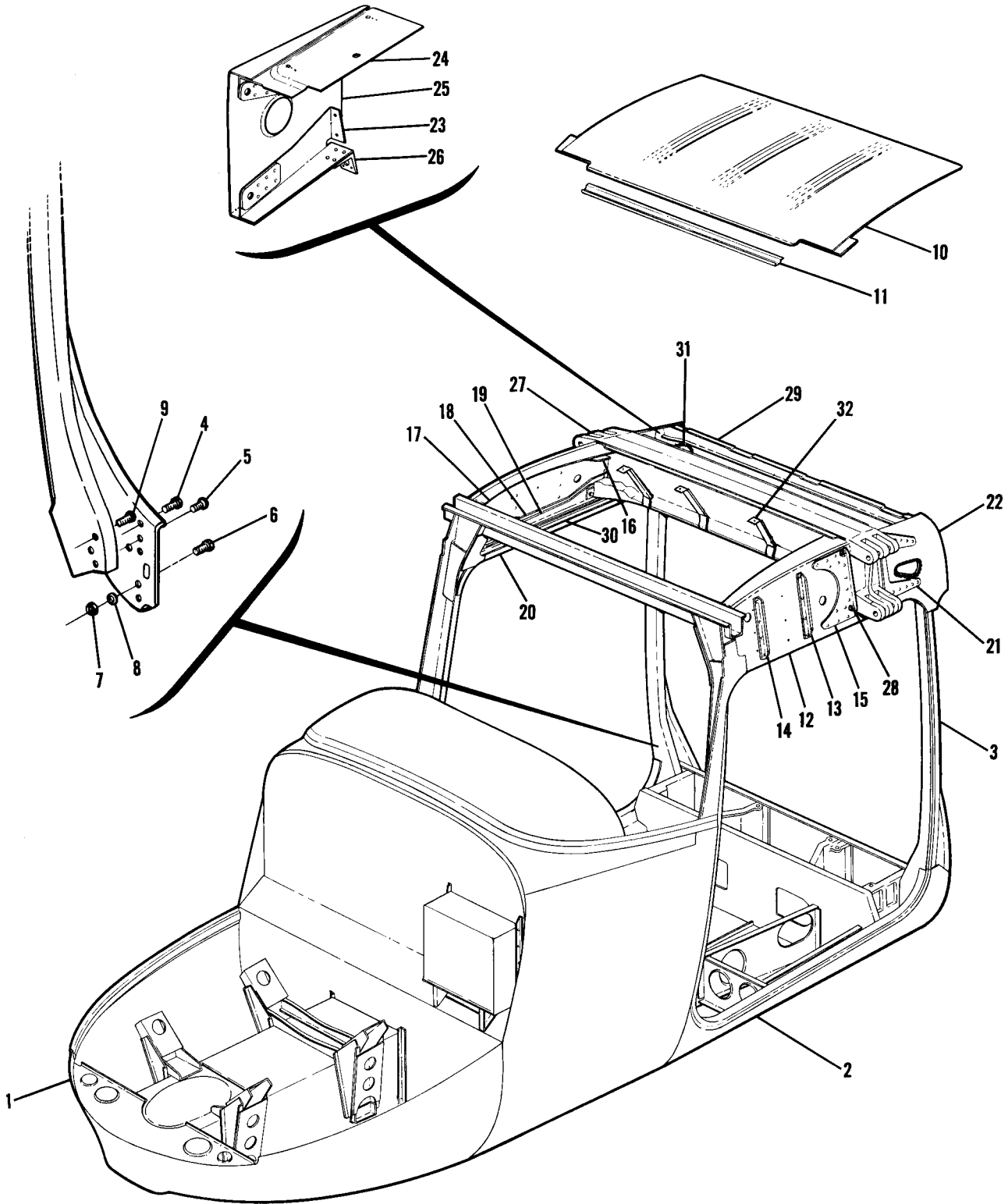


Figure 14. Front & Center Section Assembly



FIGURE AND INDEX NO.	PART NUMBER	DESCRIPTION	UNITS PER ASSY	USABLE ON CODE
14 -	1291042-1	FRONT & CENTER SECTION ASSEMBLY -----	1	A
	1291042-3	FRONT & CENTER SECTION ASSEMBLY -----	1	B
	1291042-4	FRONT & CENTER SECTION ASSEMBLY -----	1	G
	1291042-5	FRONT & CENTER SECTION ASSEMBLY -----	1	F
- 1	SEE FIG 15	FORWARD FUSELAGE STRUCTURE ASSEMBLY -----	1	
- 2	SEE FIG 21	BELLY SECTION ASSEMBLY -----	1	
- 3	SEE FIG 18	DOORPOST ASSEMBLY-REAR -----	1	
		ATTACHING PARTS		
- 4	NAS1303-7	BOLT -----	1	
- 5	NAS1303-8	BOLT -----	1	
- 6	AN173-6A	BOLT -----	3	
- 7	52LH2935-02	NUT EN -----	8	
- 8	2935-0	WASHER EN -----	8	
- 9	AN173-5A	BOLT -----	3	
		-----*		
-10	1210705-1	TOP ASSEMBLY-CABIN -----	1	E
	1210705-9	TOP ASSEMBLY-CABIN -----	1	F
-10A	SEE FIG 129B	SUPPORT ASSEMBLY-SPEAKER -----	1	F
-11	1213711-1	STRIP-RETAINER -----	1	
-12	1210708-9	RIB ASSEMBLY-CABIN ROOT LH WHEN EXHAUSTED USE 1210708-13	1	C
	1210708-13	RIB ASSEMBLY-CABIN ROOT LH -----	1	D
	1210708-8	RIB ASSEMBLY-CABIN ROOT RH WHEN EXHAUSTED USE 1210708-14	1	C
	1210708-14	RIB ASSEMBLY-CABIN ROOT RH -----	1	D
	A8580-8Z3	NUTPLATE -----	5	
	S1050-1-6.28	GROMMET -----	1	
	MS35489-118	GROMMET-FUEL LINE -----	1	
	NAS680A08	NUTPLATE -----	6	
	AN515-8R8	SCREW -----	6	
-13	1210708-5	STIFFENER-AFT -----	2	
-14	1210708-6	STIFFENER-FORWARD -----	2	
-15	1210708-3	DOUBLER-LH -----	1	
	1210708-4	DOUBLER-RH -----	1	
-16	1210709-6	SUPPORT ASSEMBLY-UPPER RH -----	1	
	1210709-5	SUPPORT ASSEMBLY-UPPER LH -----	1	
-17	1210709-2	SUPPORT-UPPER RH -----	1	
	1210709-1	SUPPORT-UPPER LH -----	1	
-18	1210709-8	SUPPORT-LOWER RH -----	1	
	1210709-7	SUPPORT-LOWER LH -----	1	
-19	1210709-12	SUPPORT ASSEMBLY-LOWER RH -----	1	
	1210709-11	SUPPORT ASSEMBLY-LOWER LH -----	1	
-20	0710602-20	SILL ASSEMBLY-RH -----	1	
	0710602-19	SILL ASSEMBLY-LH -----	1	
-21	1211747-7	DOUBLER-OUTSIDE LH -----	1	
	1211747-8	DOUBLER-OUTSIDE RH -----	1	
-22	1211747-19	RIB-CABIN ROOT LH WHEN EXHAUSTED USE 1211747-23	1	C
	1211747-23	RIB-CABIN ROOT LH -----	1	D
	1211747-20	RIB-CABIN ROOT RH WHEN EXHAUSTED USE 1211747-22	1	C
	1211747-22	RIB-CABIN ROOT RH -----	1	D
	S1050-1-3.93	GROMMET -----	1	D
	S1050-1-6.10	GROMMET -----	1	D
-23	1211747-2	BRACKET ASSEMBLY-LOWER RH -----	1	
	1211747-1	BRACKET ASSEMBLY-LOWER LH -----	1	
-24	1211747-4	BRACKET ASSEMBLY-UPPER RH -----	1	
	1211747-3	BRACKET ASSEMBLY-UPPER LH -----	1	
	A6163-8Z3	NUTPLATE -----	2	
-25	1211747-16	PLATE-DOORPOST RH -----	1	
	1211747-15	PLATE-DOORPOST LH -----	1	
	A6196-8Z3	NUTPLATE -----	1	

CONTINUED ON NEXT PAGE

FIGURE AND INDEX NO.	PART NUMBER	DESCRIPTION	UNITS PER ASSY	USABLE ON CODE
14 -26	1211747-14	CLIP-SHEAR RH -----	1	
	1211747-13	CLIP-SHEAR LH -----	1	
-27	1210702-1	WING SPAR-CENTER SECTION CANTILEVER -----	1	C
	1210702-9	WING SPAR-CENTER SECTION CANTILEVER -----	1	D
		ATTACHING PARTS		
-28	AN6-13A	BOLT -----	8	
	NAS679A6	NUT -----	8	
	AN960C616L	WASHER -----	8	
	AN960C616	WASHER -----	8	
		---*---		
-29	1211747-21	CHANNEL ASSEMBLY -----	1	
	NAS696A08	NUTPLATE -----	1	
-30	1210425-2	RETAINER ASSEMBLY RH -----	1	
	1210425-1	RETAINER ASSEMBLY LH -----	1	
-31	1211749-1	DOUBLER-LH -----	1	
	1211749-2	DOUBLER-RH -----	1	
	NAS221-10	SCREW -----	1	
-32	12C0554-1	BRACKET ASSEMBLY-HEADLINER -----	3	
		A---210 SERIAL 21058819 THRU 21058936 T210 SERIAL T210-0198 THRU T210-0307		
		B---210 SERIAL 21058937 THRU 21058968 T210 SERIAL T210-0308 THRU T210-0337		
		C---210 SERIAL 21058819 THRU 21058968 T210 SERIAL T210-0198 THRU T210-0337		
		D---210 SERIAL 21058969 & ON T210 SERIAL T210-0338 & ON		
		E---210 SERIAL 21058819 THRU 21059061 T210 SERIAL T210-0198 THRU T210-0392		
		F---210 SERIAL 21059062 & ON T210 SERIAL T210-0393 & ON		
		G---210 SERIAL 21058969 THRU 21059061 T210 SERIAL T210-0338 THRU T210-0392		

This page intentionally left blank.

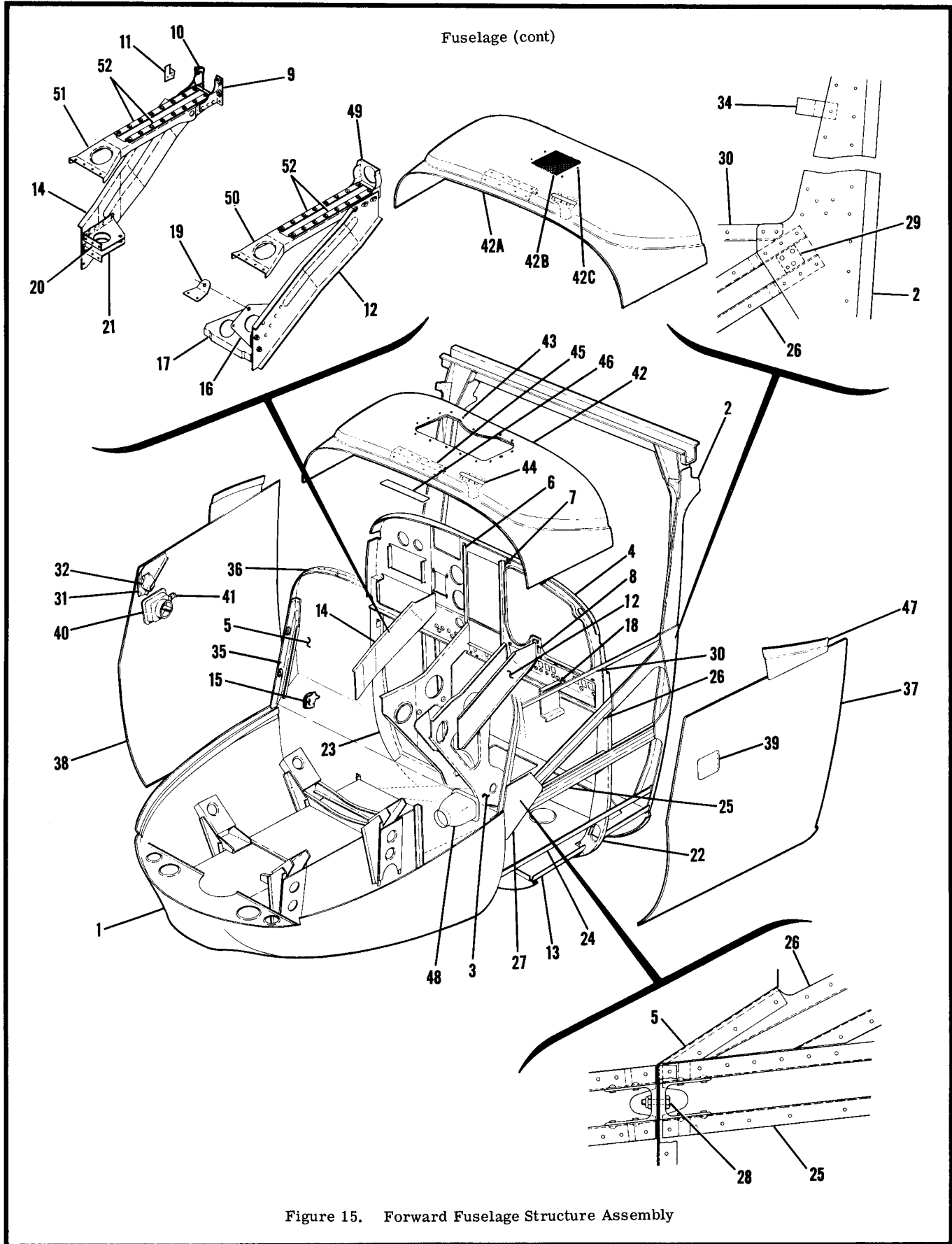


FIGURE AND INDEX NO.	PART NUMBER	DESCRIPTION	UNITS PER ASSY	USABLE ON CODE
		1 2 3 4 5 6 7		
15 -	1291342-6	FORWARD FUSELAGE STRUCTURE ASSEMBLY -----	1	A
	1291342-10	FORWARD FUSELAGE STRUCTURE ASSEMBLY -----	1	C
	1291342-11	FORWARD FUSELAGE STRUCTURE ASSEMBLY -----	1	D
- 1	SEE FIG 16 & 16A	LOWER FUSELAGE STRUCTURE ASSEMBLY -----	1	
- 2	SEE FIG 17	FRONT DOOR POST AND BULKHEAD ASSEMBLY -----	1	
- 3	SEE FIG 19	PEDESTAL INSTALLATION -----	1	
- 4	SEE FIG 58	INSTRUMENT PANEL INSTALLATION-STATIONARY -----	1	A
	SEE FIG 58A	INSTRUMENT PANEL INSTALLATION-STATIONARY -----	1	C
	SEE FIG 58B	INSTRUMENT PANEL INSTALLATION-STATIONARY -----	1	D
- 5	SEE FIG 25	FIREWALL INSTALLATION -----	1	
- 6	1213151-1	SUPPORT -----	1	
- 7	0713772-1	ANGLE -----	1	E
	1213169-1	SUPPORT ASSEMBLY -----	1	D
	NAS697A3	NUTPLATE -----	2	
- 8	1213641-1	BRACKET -----	1	A
- 9	1213149-1	BRACKET ASSEMBLY-RH CONTROL INBOARD -----	1	A
	NAS697A08	NUTPLATE -----	1	
	NAS698A08	NUTPLATE -----	1	
	1213049-2	BRACKET ASSEMBLY-RH CONTROL INBOARD -----	1	B
	NAS696A08	NUTPLATE -----	2	
	NAS697A08	NUTPLATE -----	1	
	NAS697A3	NUTPLATE -----	1	
	NAS696A3	NUTPLATE -----	1	
-10	1213149-2	BRACKET ASSEMBLY-RH CONTROL OUTBOARD -----	1	A
	NAS697A08	NUTPLATE -----	1	
	1213049-1	BRACKET ASSEMBLY-RH CONTROL OUTBOARD -----	1	B
	NAS696A08	NUTPLATE -----	2	
	NAS697A08	NUTPLATE -----	1	
-11	1213148-1	BRACKET-TORQUE TUBE SUPPORT -----	1	
-12	1261421-6	SUPPORT ASSEMBLY-ELEVATOR CONTROL TORQUE TUBE RH -----	1	A
	1261421-8	SUPPORT ASSEMBLY-ELEVATOR CONTROL TORQUE TUBE LH -----	1	B
		ATTACHING PARTS		
	NAS220-9	SCREW -----	2	
	NAS679A08	NUT -----	2	
		*-----		
	NAS679A08	NUTPLATE -----	2	
	NAS679A3	NUTPLATE -----	2	A
	NAS679A3	NUTPLATE -----	3	B
-13	SEE FIG 23	FLCORBOARD INSTALLATION-FRONT -----	1	
-14	1261423-1	SUPPORT-ELEVATOR CONTROL TORQUE TUBE RH -----	1	A
	1213051-2	SUPPORT-ELEVATOR CONTROL TORQUE TUBE RH -----	1	B
-15	1253031-10	DUCT ASSEMBLY-HEATER -----	1	
		ATTACHING PARTS		
	NAS221-6	SCREW -----	7	
	AN4-3A	BOLT -----	1	
		*-----		
-16	1261417-1	BRACKET-PARKING BRAKE -----	1	
-17	1261424-1	PULLEY BRACKET-ELEVATOR UPPER LH -----	1	
-18	1261424-2	PULLEY BRACKET-ELEVATOR LOWER LH -----	1	
-18	1213627-1	GUARD-CABLE -----	2	
	1213627-2	STRAP -----	1	
-19	1261436-1	TAB -----	1	
-20	1261418-1	PULLEY BRACKET-ELEVATOR UPPER RH -----	1	
-21	1261418-2	PULLEY BRACKET ASSEMBLY-ELEVATOR LOWER RH -----	1	
	NAS696A08	NUTPLATE -----	1	
-22	1213412-23	BULKHEAD-UPPER LH -----	1	
-23	1213412-24	BULKHEAD-UPPER RH -----	1	
-24	1213402-1	STIFFENER-DOORPOST TO FIREWALL LH -----	1	
	1213402-2	STIFFENER-DOORPOST TO FIREWALL RH -----	1	
-25	1213414-5	STRINGER ASSEMBLY-DOORPOST TO FIREWALL LH -----	1	
	1213414-6	STRINGER ASSEMBLY-DOORPOST TO FIREWALL RH -----	1	
	1213460-1	CHANNEL -----	1	
-26	1213411-5	AUXILIARY STRINGER ASSEMBLY-DOORPOST TO FIREWALL LH -----	1	
	1213411-6	AUXILIARY STRINGER ASSEMBLY-DOORPOST TO FIREWALL RH -----	1	
	S1154-1	BRACKET -----	1	
-27	1213416-1	DOUBLER-LH -----	1	
	1213416-2	DOUBLER-RH -----	1	
-28	AN3-6A	BOLT -----	2	
	NAS679A3	NUT -----	2	
-29	1213459-1	SPACER-UPPER DOOR HINGE LH -----	1	
	1213459-2	SPACER-UPPER DOOR HINGE RH -----	1	
-30	1213413-3	ANGLE-SKIN SPLICE LH -----	1	
	1213413-4	ANGLE-SKIN SPLICE RH -----	1	

CONTINUED ON NEXT PAGE

FIGURE AND INDEX NO.	PART NUMBER	DESCRIPTION	UNITS PER ASSY	USABLE ON CODE		
					1	2
15 -31	1260138-3	DOUBLER-PULLEY BRACKET-LH -----	1			
	1260138-4	DOUBLER-PULLEY BRACKET-RH -----	1			
-32	1260134-7	BRACKET-AILERON PULLEY LH -----	1			
	1260134-8	BRACKET-AILERON PULLEY RH -----	1			
	AN5C7-832R6	ATTACHING PARTS				
	NAS679A08	SCREW -----	8			
		NUT -----	8			
		---*---				
-33		DELETED NEVER USED -----				
-34	0713107-1	CLIP -----	2			
-35	1213453-1	ANGLE ASSEMBLY-COWL ATTACH LH -----	1			
	1213453-2	ANGLE ASSEMBLY-COWL ATTACH RH -----	1			
	4C02-244-16	RECEPTACLE -----	2			
-36	1213001-18	STRIP ASSEMBLY-COWL ATTACH -----	1			
	4C02-244-16	RECEPTACLE CLC -----	4			
-37	1213001-7	SKIN LH -----	1			
-38	1213001-8	SKIN RH -----	1			
-39	1213475-3	INLET ASSEMBLY-COLD AIR LH -----	1			
-40	1213475-4	INLET ASSEMBLY-COLD AIR RH -----	1			
	1213478-1	DOOR ASSEMBLY-INLET -----	1			
	0713134-1	HINGE ASSEMBLY -----	1			
	MS20253-2-206	PIN-HINGE -----	1			
	1213483-1	SEAL-INLET -----	1			
	1213482-2	LEVER-DCOR -----	1			
	MS24665-132	PIN -----	2			
	MS20392-1C7	PIN -----	2			
	AN960-6L	WASHER -----	1			
	AN960-4L	WASHER -----	1			
-41	0450286-1	CLIP -----	2			
-42	1213700-2	SKIN-COWL DECK -----	1	E		
-42A	1213001-16	SKIN-COWL DECK -----	1	D		
-42B	0713847-11	GRILL -----	1	D		
-42C	AN960-2	WASHER -----	4	D		
-43	0713846-2	DOUBLER -----	1			
-44	1250502-1	NOZZLE ASSEMBLY-DEFROST -----	1			
-45	1213508-1	SUPPORT BRACKET -----	1			
-46	1213600-7	DOUBLER -----	1			
-47	1213001-5	RETAINER ASSEMBLY LH -----	1			
	1213001-6	RETAINER ASSEMBLY RH -----	1			
-48	1253045-1	VALVE ASSEMBLY -----	1			
-49	1261427-2	SUPPORT ASSEMBLY-CONTROL COLUMN LH -----	1	A		
		ATTACHING PARTS				
	NAS221-5	SCREW -----	2			
		---*---				
	NAS697A3	NUTPLATE -----	2			
	1213092-1	BRACKET ASSEMBLY-LH CONTROL INBOARD -----	1	B		
	NAS696A08	NUTPLATE -----	2			
	NAS697A08	NUTPLATE -----	1			
	NAS697A3	NUTPLATE -----	1			
	NAS696A3	NUTPLATE -----	1			
	1213092-2	BRACKET ASSEMBLY-LH CONTROL OUTBOARD -----	1	B		
	NAS696A08	NUTPLATE -----	2			
	NAS697A08	NUTPLATE -----	1			
-50	1261420-1	GUIDE ASSEMBLY-ELEVATOR CONTROL LH -----	1	A		
	1261420-9	GUIDE ASSEMBLY-ELEVATOR CONTROL LH -----	1	B		
-51	1261420-6	GUIDE ASSEMBLY-ELEVATOR CONTROL RH -----	1	A		
	1261420-10	GUIDE ASSEMBLY-ELEVATOR CONTROL RH -----	1	B		
		ATTACHING PARTS				
	AN3-4A	BOLT -----	4	A		
	AN3-3A	BOLT -----	5	B		
		---*---				
-52	1261420-5	RUB STRIP -----	2			
	AN960PD2	WASHER -----	10			
		A---210 SERIAL 21058819 THRU 21058936 T210 SERIAL T210-0198 THRU T210-0307				
		B---210 SERIAL 21058937 & ON T210 SERIAL T210-0308 & ON				
		C---210 SERIAL 21058937 THRU 21059061 T210 SERIAL T210-0308 THRU T210-0392				
		D---210 SERIAL 21059062 & ON T210 SERIAL T210-0393 & ON				
		E---210 SERIAL 21058819 THRU 21059061 T210 SERIAL T210-0198 THRU T210-0392				

FIGURE AND INDEX NO.	PART NUMBER	DESCRIPTION	UNITS PER ASSY	USABLE ON CODE
		1 2 3 4 5 6 7		
16 -	1291342-7	LOWER FORWARD FUSELAGE STRUCTURE ASSEMBLY -----	1	C
- 1	SEE FIG 25	FIREWALL ASSEMBLY-LOWER -----	1	
- 2	1213419-9	BULKHEAD-KEEL LH ---	1	
	1213419-10	BULKHEAD-KEEL RH --- 210 SERIAL 21058819 -----	1	
- 3	1213422-1	BULKHEAD-CENTER ----- THRU 21059061 -----	1	
- 4	1213422-3	BULKHEAD-LH -----	1	
	1213422-4	BULKHEAD ASSEMBLY-RH -----	1	
- 5	1213517-1	DOUBLER-RH BULKHEAD -----	1	
- 6	1261415-2	BULKHEAD-RH ----- T210 SERIAL T210-0198 -----	1	
	1261415-3	BULKHEAD ASSEMBLY-LH ----- THRU T210-0392 -----	1	
	1261437-1	TAB-PARKING BRAKE -----	1	
- 7	1213403-3	STRINGER-LH -----	1	
- 8	1213403-4	STRINGER-RH -----	1	
- 9	1213514-1	BRACKET-FUEL RESERVOIR LH -----	1	
	1213514-2	BRACKET-FUEL RESERVOIR RH -----	1	
-10	1213514-3	BRACKET-FUEL RESERVOIR -----	6	
-11	1213412-35	BULKHEAD LOWER LH -----	1	
-12	1213412-34	BULKHEAD LOWER RH -----	1	
	1213412-30	RETAINER HALF-UPPER -----	1	
	1213412-31	RETAINER HALF-LOWER -----	1	
-12A	1213412-32	SEAL -----	1	
-12B	1213412-25	SEAL RH ONLY -----	1	
	1213412-26	RETAINER HALF RH ONLY -----	2	
-13	1213412-17	BULKHEAD LOWER CENTER -----	1	
	1213412-28	RETAINER-UPPER -----	1	
	1213412-29	RETAINER-LOWER -----	2	
-13A	1213412-27	SEAL -----	1	
-14	1213427-1	ANGLE LH -----	1	
	1213427-2	ANGLE RH -----	1	
-15	1213417-8	STRINGER-RH -----	1	
-16	1213417-7	STRINGER-LH -----	1	
	4C02-244-16	RECEPTACLE CLC -----	4	
	NAS697A3	NUTPLATE -----	1	
-17	1253411-2	PANEL-SIDE RH -----	1	
	1253411-11	PANEL-SIDE LH -----	1	
-18	1213420-14	COVER ASSEMBLY-AFT FIREWALL -----	1	
-19	1213420-3	BRACKET-ELEVATOR -----	1	
-20	1213420-4	BRACKET-ELEVATOR RH -----	1	
-21	1213420-5	BRACKET-ELEVATOR LH -----	1	
-22	1213420-6	ANGLE -----	1	
-23	1213420-7	ANGLE -----	1	
-24	1213430-9	TUNNEL WALL-LH -----	1	
	1213430-12	TUNNEL WALL ASSEMBLY-RH -----	1	
-25	1243061-2	BRACKET -----	1	
-26	1213428-5	PANEL ASSEMBLY-AFT -----	1	
-27	1243063-1	LUG -----	1	
-28	NAS697A08	NUTPLATE -----	3	
-29	NAS697A04L	NUTPLATE -----	2	
-30	NAS697A08K	NUTPLATE -----	1	
-31	1213428-3	PANEL-FORWARD -----	1	
-32	1261416-1	SUPPORT ASSEMBLY-BRAKE CYLINDER -----	2	
-33	1261416-3	BRACKET -----	1	
-34	1213423-1	DOUBLER -----	1	
-35	1213446-2	DOUBLER RH -----	1	
	1213446-1	DOUBLER LH -----	1	
-36	1213421-1	TEE-KEEL ATTACH -----	1	
		ATTACHING PARTS		
-37	AN3-5A	BOLT -----	4	
-38	AN3-4A	BOLT -----	4	
-39	AN960-10L	WASHER -----	8	
-40	NAS679A3	NUT -----	8	
		-----*		
-41	1213440-3	BRACKET-LH -----	1	
	1213440-2	BRACKET-RH -----	1	
-42	1252410-29	NOSE CAP ASSEMBLY-LOWER -----	1	
-43	1252412-6	BULKHEAD ASSEMBLY -----	1	
	NAS697A3	NUTPLATE -----	8	
-44	1252410-23	DOUBLER LH -----	1	
	1252410-16	DOUBLER RH -----	1	
-45	1252410-30	SKIN-NOSE CAP LOWER -----	1	
-46	1252410-22	DOUBLER -----	1	
-47	1213449-1	MOUNT-COWL FLAP HINGE LH -----	1	
	1213449-2	MOUNT-COWL FLAP HINGE RH -----	1	
-48	1213450-1	SUPPORT-HINGE LH -----	1	
	1213450-2	SUPPORT-HINGE RH -----	1	
	1213496-1	BRACE-HINGE SUPPORT LH OUTBOARD -----	1	

CONTINUED ON NEXT PAGE

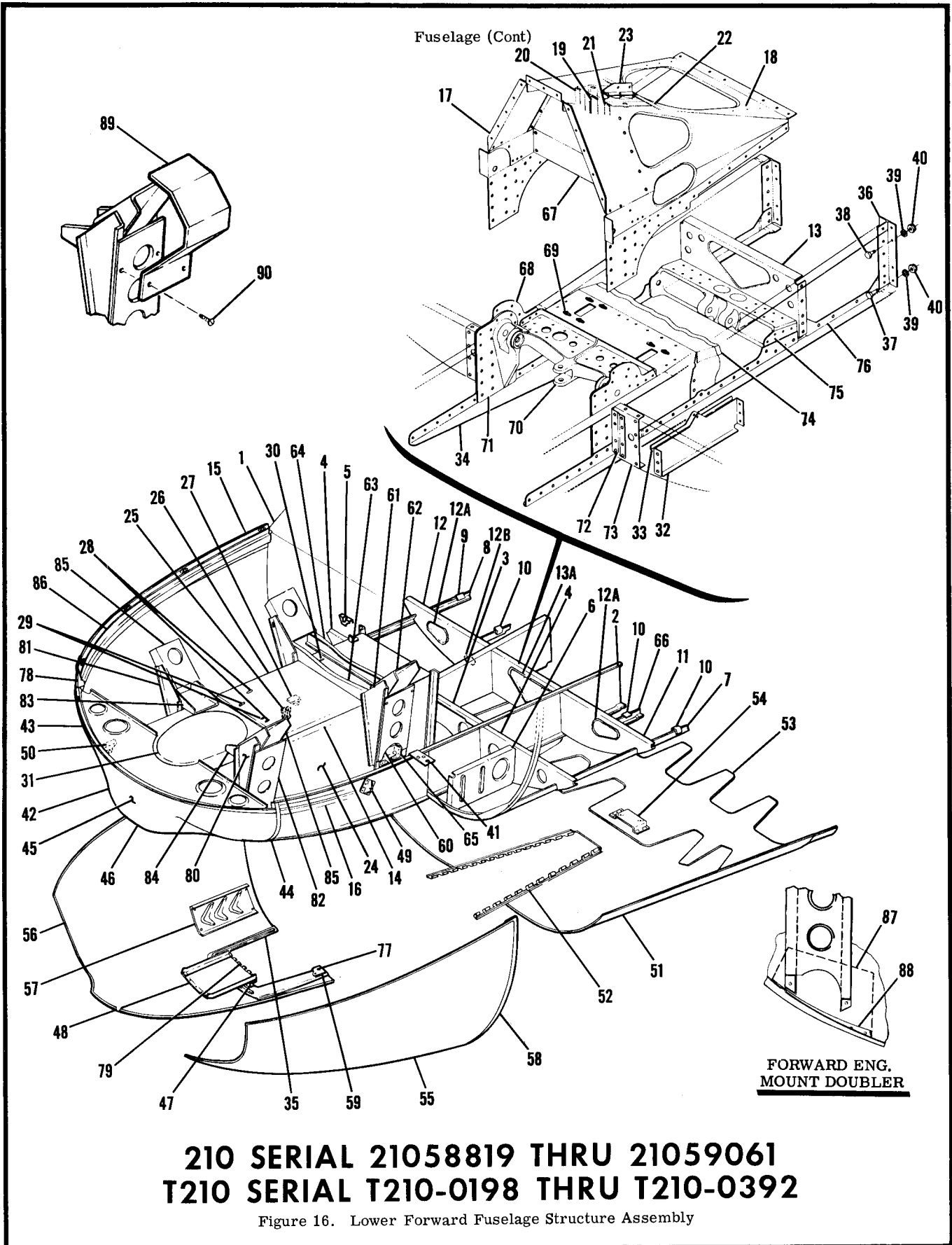
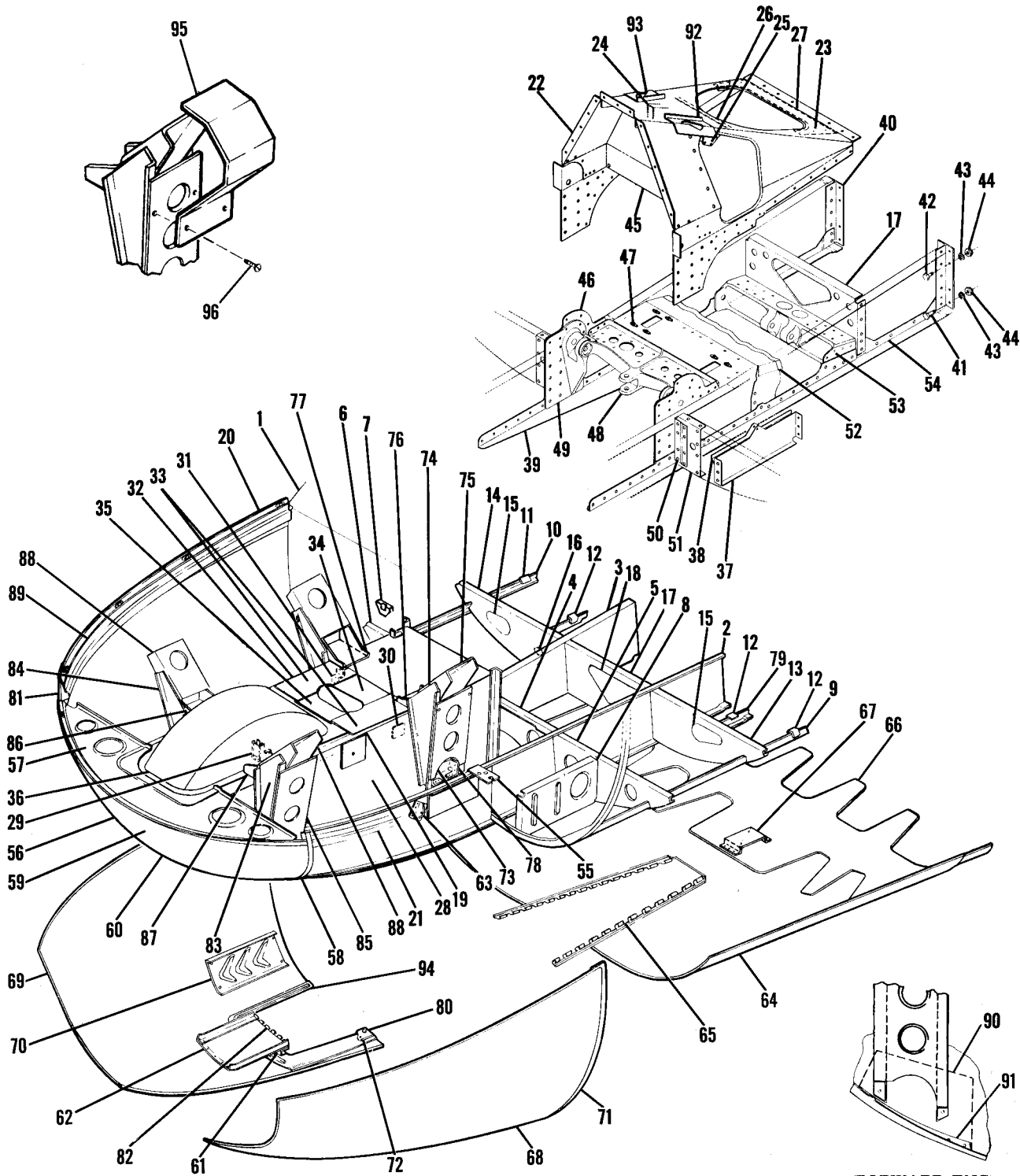


FIGURE AND INDEX NO.	PART NUMBER	DESCRIPTION	UNITS PER ASSY	USABLE ON CODE
		1 2 3 4 5 6 7		
16 -	1213496-2	BRACE-HINGE SUPPORT RH INBOARD -----	1	
	1213496-3	BRACE-HINGE SUPPORT LH INBOARD -----	1	
	1213496-4	BRACE-HINGE SUPPORT RH OUTBOARD -----	1	
-49	1213429-1	BRACKET-HINGE -----	8	
-50	1213468-1	FITTING -----	1	
		ATTACHING PARTS		
	AN3-4A	BOLT -----	2	
	NAS679A3	NUT -----	2	
		---*---		
-51	1213001-14	SKIN-FORWARD FUSELAGE LOWER -----	1	
-52	1213431-3	HINGE HALF -----	2	
-53	1213461-1	DOUBLER -----	1	
-54	1213405-1	BRACKET ASSEMBLY-FUEL -----	1	
	NAS697A4	NUTPLATE -----	2	
-55	1213400-21	SKIN ASSEMBLY-COWL LOWER LH -----	1	
-56	1213400-43	SKIN ASSEMBLY-COWL LOWER RH -----	1	A
	1213400-20	SKIN ASSEMBLY-COWL LOWER RH -----	1	B
	1213524-1	DOUBLER -----	1	A
	0752608-3	LOUVER-LH -----	1	
-57	0752608-4	LOUVER-RH -----	1	
-58	1213001-12	ATTACH STRIP-COWL LH -----	1	
	1213001-13	ATTACH STRIP-COWL RH -----	1	
-59	1213458-2	STOP-RH -----	1	
	1213458-1	STOP-LH -----	1	
	1213433-26	REAR ENGINE MOUNT ASSEMBLY -----	1	
-60	1213433-2	COVER-ENGINE MOUNT -----	2	
-61	1213433-3	BRACKET-ENGINE MOUNT LH FORWARD & RH AFT -----	2	
	1213433-4	BRACKET-ENGINE MOUNT RH FORWARD & LH AFT -----	2	
-62	1213433-16	SUPPORT-ENGINE MOUNT -----	2	
-63	1213433-6	CHANNEL-ENGINE MOUNT FORWARD -----	1	
-64	1213433-7	CHANNEL-ENGINE MOUNT AFT -----	1	
	A6191-6Z1	NUTPLATE -----	4	
-65	1213443-1	BRACKET-LH -----	1	
	1213443-2	BRACKET-RH -----	1	
-66	1213462-1	STIFFENER-LH -----	1	
	1213621-1	STIFFENER-RH -----	1	
-67	1253411-3	CENTER PANEL ASSEMBLY-UPPER -----	1	
	NAS697A08	NUTPLATE -----	2	
-68	1253411-5	FIREWALL ASSEMBLY-LCWER -----	1	
-69	NAS697A08	NUTPLATE -----	6	
-70	1213432-1	SUPPORT-NOSE GEAR -----	1	
-71	1213426-2	FITTING ASSEMBLY-NOSE GEAR RH -----	1	
	1213426-1	FITTING ASSEMBLY-NOSE GEAR LH -----	1	
-72	1213457-1	ANGLE-FIREWALL -----	2	
-73	1213456-1	CHANNEL-FIREWALL LH -----	1	
	1213456-2	CHANNEL-FIREWALL RH -----	1	
-74	1213424-1	DOUBLER -----	1	
-75	1213425-1	FITTING-NOSE GEAR DRAG -----	1	
-76	1213404-1	ANGLE-LH -----	1	
	1213404-2	ANGLE-RH -----	1	
-77	4250	BUMPER-COWL FLAP AU-VE-CO -----	4	B
-78	1250844-1	DOUBLER ASSEMBLY-RH -----	1	
	1250844-2	DOUBLER ASSEMBLY-LH -----	1	
-79	1213469-205	HINGE ASSEMBLY-COWL FLAP -----	2	
	1213433-27	ENGINE MOUNT ASSEMBLY-FORWARD LH -----	1	
	1213433-28	ENGINE MOUNT ASSEMBLY-FORWARD RH -----	1	
-80	1213433-9	BRACKET LH FORWARD & RH AFT -----	1	
-81	1213433-10	BRACKET RH FORWARD & LH AFT -----	1	
-82	1213433-8	COVER -----	1	
-83	1213433-14	CHANNEL RH -----	1	
-84	1213433-15	CHANNEL LH -----	1	
-85	1213433-17	SUPPORT -----	1	
	A6191-6Z1	NUTPLATE TIN -----	2	
-86	1213657-2	STIFFENER BULKHEAD-RH -----	1	
	1213657-1	STIFFENER BULKHEAD-LH -----	1	
-87	1213526-3	DOUBLER-LH -----	1	
	1213526-4	DOUBLER-RH -----	1	
-88	1213526-2	ANGLE-LH -----	1	
	1213526-1	ANGLE-RH -----	1	
-89	1250918-2	SHIELD-HEAT -----	4	A
		ATTACHING PARTS		
-90	S1021Z6-6	SCREW -----	2	A
		---*---		
		A---T210 SERIAL T210-0198 THRU 21059061		
		B---210 SERIAL 21058819 THRU T210-0392		
		C---210 SERIAL 21058819 THRU 21059061		
		T210 SERIAL T210-0198 THRU T210-0392		

Fuselage (Cont)



210 SERIAL 21059062 & ON
T210 SERIAL T210-0393 & ON

Figure 16A. Lower Forward Fuselage Structure Assembly

**FORWARD ENG.
MOUNT DOUBLER**



FIGURE AND INDEX NO.	PART NUMBER	DESCRIPTION	UNITS PER ASSY	USABLE ON CODE
16A-	1291342-12	LOWER FORWARD FUSELAGE STRUCTURE ASSEMBLY -----	1	A
- 1	SEE FIG 25	FIREWALL ASSEMBLY-LOWER -----	1	
- 2	1213194-1	BULKHEAD-KEEL LH -----	1	
- 3	1213194-2	BULKHEAD-KEEL RH -----	1	
- 4	1213422-1	BULKHEAD-CENTER -----	1	
- 5	1213422-3	BULKHEAD-LH -----	1	
- 6	1213422-4	BULKHEAD-RH -----	1	
- 7	1213517-1	DOUBLER-RH BULKHEAD -----	1	
- 8	1261415-3	BULKHEAD ASSEMBLY-LH -----	1	
	1264437-1	TAB-PARKING BRAKE -----	1	
	1261415-2	BULKHEAD-LH -----	1	
- 9	1213403-3	STRINGER-LH -----	1	
-10	1213403-4	STRINGER-RH -----	1	
-11	1213514-1	BRACKET-FUEL RESERVOIR LH -----	1	
	1213514-2	BRACKET-FUEL RESERVOIR RH -----	1	
-12	1213514-3	BRACKET-FUEL RESERVOIR -----	6	
-13	1213412-35	BULKHEAD ASSEMBLY-LOWER LH -----	1	
-14	1213412-34	BULKHEAD ASSEMBLY-LOWER RH -----	1	
	1213412-30	RETAINER HALF-UPPER -----	1	
	1213412-31	RETAINER HALF-LOWER -----	1	
-15	1213412-32	SEAL -----	1	
-16	1213412-25	SEAL RH ONLY -----	1	
	1213412-26	RETAINER HALF RH ONLY -----	2	
-17	1213412-17	BULKHEAD ASSEMBLY-LOWER CENTER -----	1	
	1213412-28	RETAINER-UPPER -----	1	
	1213412-29	RETAINER-LOWER -----	2	
-18	1213412-27	SEAL -----	1	
-19	1213183-1	ANGLE LH -----	1	
	1213183-2	ANGLE RH -----	1	
-20	1213417-9	STRINGER ASSEMBLY-RH -----	1	
-21	1213417-10	STRINGER ASSEMBLY-LH -----	1	
	4C02-244-16	RECEPTACLE CLC -----	4	
	NAS697A3	NUTPLATE -----	1	
-22	1253411-2	PANEL-RH SIDE -----	1	
	1253411-11	PANEL-LH SIDE -----	1	
-23	1213420-17	COVER ASSEMBLY-AFT FIREWALL -----	1	
-24	1260214-2	BRACKET-ELEVATOR PULLEY RH -----	1	
-25	1260214-1	BRACKET-ELEVATOR PULLEY LH -----	1	
-26	1213420-6	ANGLE -----	1	
-27	1213420-21	DOUBLER ASSEMBLY -----	1	
	NAS679A08	NUTPLATE -----	6	
-28	1213184-1	TUNNEL WALL-LH -----	1	
	1213184-2	TUNNEL WALL-RH -----	1	
-29	1217019-1	BRACKET ASSEMBLY-NOSE GEAR DOOR ACTUATOR ATTACH -----	1	
-30	1217026-2	BRACKET -----	1	
-31	1217026-1	BRACKET -----	1	
-32	1213181-1	TUNNEL TOP -----	1	
-33	1213340-1	SEAL -----	2	
-34	1213340-2	SEAL -----	1	
-35	1213340-3	SEAL -----	1	
-36	1213181-2	COVER -----	1	
-37	1261416-1	SUPPORT ASSEMBLY-BRAKE CYLINDER -----	2	
-38	1261416-3	BRACKET -----	1	
-39	1213423-1	DOUBLER -----	1	
-40	1213421-1	TEE-KEEL ATTACH -----	2	
		ATTACHING PARTS -----		
-41	AN3-5A	BOLT -----	4	
-42	AN3-4A	BOLT -----	4	
-43	AN960-10L	WASHER -----	8	
-44	NAS679A3	NUT -----	8	
		---*---		

CONTINUED ON NEXT PAGE

FIGURE AND INDEX NO.	PART NUMBER	DESCRIPTION	UNITS PER ASSY	USABLE ON CODE
16A-45	1253411-22	CENTER PANEL ASSEMBLY-UPPER -----	1	
	NAS697A08	NUTPLATE -----	2	
-46	1253411-5	FIREWALL ASSEMBLY-LOWER -----	1	
-47	NAS697A08	NUTPLATE -----	6	
-48	1213432-1	SUPPORT-NOSE GEAR -----	1	
-49	1213426-2	FITTING ASSEMBLY-NOSE GEAR-RH -----	1	
	1213426-1	FITTING ASSEMBLY-NOSE GEAR LH -----	1	
-50	1213457-1	ANGLE-FIREWALL -----	1	
-51	1213456-1	CHANNEL-FIREWALL LH -----	1	
	1213456-2	CHANNEL-FIREWALL RH -----	1	
-52	1213424-1	DOUBLER -----	1	
-53	1213425-1	FITTING-NOSE GEAR DRAG -----	1	
-54	1213404-1	ANGLE-LH -----	1	
	1213404-2	ANGLE-RH -----	1	
-55	1213440-3	BRACKET-LH -----	1	
	1213440-2	BRACKET-RH -----	1	
-56	1252410-31	NOSE CAP ASSEMBLY-LOWER -----	1	
-57	1213197-1	BULKHEAD ASSEMBLY -----	1	
	NAS697A3	NUTPLATE -----	8	
-58	1252410-33	DOUBLER-LH -----	1	
	1252410-34	DOUBLER-RH -----	1	
-59	1252410-32	SKIN-NOSE CAP LOWER -----	1	
-60	1252410-35	DOUBLER -----	1	
-61	1213263-1	MOUNT-COWL FLAP HINGE LH -----	1	
	1213263-2	MOUNT-COWL FLAP HINGE RH -----	1	
-62	1213450-3	SUPPORT-HINGE LH -----	1	
	1213450-4	SUPPORT-HINGE RH -----	1	
	1213496-1	BRACE-HINGE SUPPORT LH OUTBOARD -----	1	
	1213496-2	BRACE-HINGE SUPPORT RH INBOARD -----	1	
	1213496-3	BRACE-HINGE SUPPORT LH INBOARD -----	1	
	1213496-4	BRACE-HINGE SUPPORT RH OUTBOARD -----	1	
-63	1213429-1	BRACKET-HINGE -----	8	
-64	1213001-14	SKIN-FORWARD FUSELAGE LOWER -----	1	
-65	1213431-3	HINGE HALF -----	2	
-66	1213461-1	DOUBLER -----	1	
-67	1213405-1	BRACKET ASSEMBLY-FUEL -----	1	
	NAS697A4	NUTPLATE -----	2	
-68	1213001-21	SKIN ASSEMBLY-COWL LOWER LH -----	1	
-69	1213001-22	SKIN ASSEMBLY-COWL LOWER RH -----	1	B
	1213001-23	SKIN ASSEMBLY-COWL LOWER RH -----	1	C
	1213538-1	DOUBLER-EXHAUST OPENING -----	1	C
	0752608-3	LOUVER-LH -----	1	
-70	0752608-4	LOUVER-RH -----	1	
-71	1213001-12	ATTACH STRIP-COWL LH -----	1	
	1213001-13	ATTACH STRIP-COWL RH -----	1	
-72	1213458-2	STOP-RH -----	1	
	1213458-1	STOP-LH -----	1	
	1213433-34	ENGINE MOUNT ASSEMBLY-REAR RH -----	1	
	1213433-35	ENGINE MOUNT ASSEMBLY-REAR LH -----	1	
-73	1213433-2	COVER-ENGINE MOUNT LH -----	1	
	1213433-33	COVER-ENGINE MOUNT RH -----	1	
-74	1213433-3	BRACKET-ENGINE MOUNT LH FORWARD & RH AFT -----	1	
	1213433-4	BRACKET-ENGINE MOUNT RH FORWARD & LH AFT -----	1	
-75	1213433-16	SUPPORT-ENGINE MOUNT -----	1	
-76	1213186-1	SUPPORT-ENGINE MOUNT LOWER LH -----	1	
-77	1213186-2	SUPPORT-ENGINE MOUNT LOWER RH -----	1	
	A6191-6Z1	NUTPLATE TIN -----	2	

CONTINUED ON NEXT PAGE



FIGURE AND INDEX NO.	PART NUMBER	DESCRIPTION	UNITS PER ASSY	USABLE ON CODE
16A-78	1213443-1	BRACKET-LH -----	1	
	1213443-2	BRACKET-RH -----	1	
-79	1213462-1	STIFFENER-LH -----	1	
	1213621-1	STIFFENER-RH -----	1	
-80	4250	BUMPER-COWL FLAP AV-VE-CO -----	4	
-81	1250844-8	DOUBLER ASSEMBLY-RH -----	1	B
	1250844-7	DOUBLER ASSEMBLY-LH -----	1	
-82	1213261-200	HINGE ASSEMBLY-COWL FLAP -----	2	
	1213433-37	ENGINE MOUNT ASSEMBLY-FORWARD LH -----	1	
	1213433-36	ENGINE MOUNT ASSEMBLY-FORWARD RH -----	1	
-83	1213433-9	BRACKET LH FORWARD & RH AFT -----	1	
-84	1213433-10	BRACKET RH FORWARD & LH AFT -----	1	
-85	1213433-8	COVER -----	1	
-86	1213433-32	CHANNEL RH -----	1	
-87	1213433-31	CHANNEL LH -----	1	
-88	1213433-17	SUPPORT -----	1	
	A6191-671	NUTPLATE TIN -----	2	
-89	1213657-4	STIFFENER BULKHEAD-RH -----	1	
	1213657-3	STIFFENER BULKHEAD-LH -----	1	
-90	1213187-1	DOUBLER-LH -----	1	
	1213187-2	DOUBLER-RH -----	1	
-91	1213195-1	ANGLE-LH -----	1	
	1213195-2	ANGLE-RH -----	1	
-92	1260213-1	DOUBLER-AFT FIREWALL TUNNEL LH -----	1	
-93	1260213-2	DOUBLER-AFT FIREWALL TUNNEL RH -----	1	
-94	1213446-4	DOUBLER-COWL FLAP RH -----	1	
	1213446-3	DOUBLER-COWL FLAP LH -----	1	
-95	1250918-2	SHIELD-HEAT -----	4	C
		ATTACHING PARTS -----		
-96	S102176-6	SCREW -----	2	C
		-----*		
		A---210 SERIAL 21059062 & ON T210 SERIAL T210-0393 & ON		
		B---210 SERIAL 21059062 & ON		
		C---T210 SERIAL T210-0393 & ON		

Fuselage (Cont)

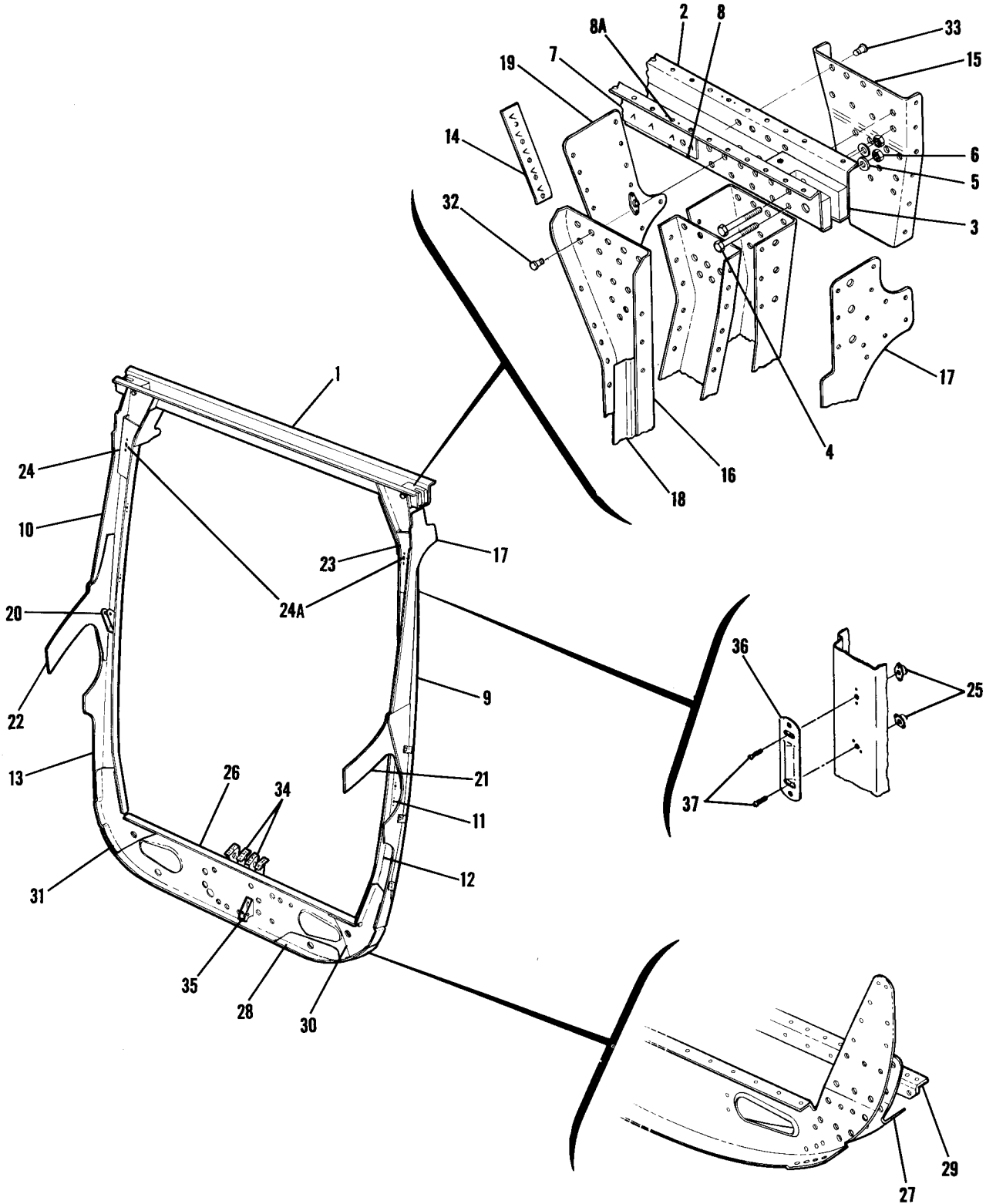


Figure 17. Front Doorpost & Bulkhead Assembly

FIGURE AND INDEX NO.	PART NUMBER		DESCRIPTION	UNITS PER ASSY	USABLE ON CODE
		1 2 3 4 5 6 7			
17 -	1213701-1	*	FRONT DOORPOST & BULKHEAD ASSEMBLY -----	1	
- 1	1213702-1		SPAR ASSEMBLY-FRONT -----	1	
- 2	1213702-2		SPAR-FRONT -----	1	
- 3	1213708-1		BLOCK-SPAR -----	2	
			ATTACHING PARTS		
- 4	AN3-20A		BOLT -----	4	
- 5	AN960-10		WASHER -----	4	
- 6	NAS679A3		NUT -----	4	
			---*---		
- 7	0412496		STRIP-UPHOLSTERY ATTACH -----	2	
- 8	NAS686A3		NUTPLATE -----	4	
- 8A	NAS679A3		NUTPLATE -----	4	
	1213701-3	*	DOORPOST ASSEMBLY-LH -----	1	
	1213701-4	*	DOORPOST ASSEMBLY-RH -----	1	
- 9	1213406-17		DCCR JAMB-LH -----	1	
-10	1213406-18		DOOR JAMB-RH -----	1	
-11	NAS680A3		NUTPLATE -----	2	
-12	1213713-1		CHANNEL-LH -----	1	
-13	1213713-2		CHANNEL-RH -----	1	
-14	1213115-1		HOOK STRIP-LH -----	1	
	1213115-2		HOOK STRIP-RH -----	1	
-15	1213703-1		FLANGE PLATE-AFT LH -----	1	
	1213703-2		FLANGE PLATE-AFT RH -----	1	
-16	1213704-1		FLANGE PLATE-FORWARD LH -----	1	
	1213704-2		FLANGE PLATE-FORWARD RH -----	1	
-17	0713611-5		RETAINER-OUTER LH -----	1	
	0713611-6		RETAINER-OUTER RH -----	1	
-18	1213706-3		RETAINER-INNER LH -----	1	
	1213706-4		RETAINER-INNER RH -----	1	
-19	0713633-3		PLATE-UPPER LH -----	1	
	0713633-4		PLATE-UPPER RH -----	1	
-20	0760602-1		BRACKET-PULLEY LH -----	1	
	0760602-2		BRACKET-PULLEY RH -----	1	
			ATTACHING PARTS		
	AN525-10R8		SCREW -----	2	
	NAS680A3		NUTPLATE -----	2	
			---*---		
-21	1213714-1		DOUBLER-LH -----	1	
-22	1213714-2		DOUBLER-RH -----	1	
-23	1213715-1		CHANNEL ASSEMBLY-LH -----	1	
-24	1213715-2		CHANNEL ASSEMBLY-RH -----	1	
-24A	NAS697A08		NUTPLATE -----	1	
	NAS680A3		NUTPLATE -----	1	
	A8580-10Z3		NUTPLATE TIN -----	1	
-25	NAS679A06L		NUTPLATE -----	2	
-26	1213407-3		BULKHEAD -----	1	
-27	1213409-3		REINFORCEMENT LH-BULKHEAD -----	1	
	1213409-4		REINFORCEMENT RH-BULKHEAD -----	1	
-28	1213502-1		REINFORCEMENT-BULKHEAD -----	1	
-29	1213408-2		ANGLE -----	1	
-30	1213705-1		GUSSET-LH -----	1	
-31	1213705-2		GUSSET-RH -----	1	
-32	NAS1054-6-3		RIVET-HI-SHEAR -----	3	
	NAS179-6		COLLAR-HI-SHEAR -----	3	
-33	NAS1054-6-4		RIVET-HI-SHEAR -----	3	
	NAS179-6		COLLAR-HI-SHEAR -----	3	
-34	1213454-1		BRACKET-ELEVATOR & RUDDER PULLEY -----	2	
-35	1213455-1		BRACKET-ELEVATOR TRIM PULLEY -----	1	
-36	0710638-1		WEDGE-CABIN DOOR -----	2	
			ATTACHING PARTS		
-37	AN515-6R6		SCREW -----	2	
			---*---		
<p>NOTE. *WHEN INITIALLY ORDERING THIS PART FOR AIRPLANES PRIOR TO SERIAL 21058825 OR T210-0226 ALSO ORDER ONE 0710625-5 DOOR STOP HINGE & TWO AN507-1032R8 SCREWS.</p>					

Fuselage (Cont)

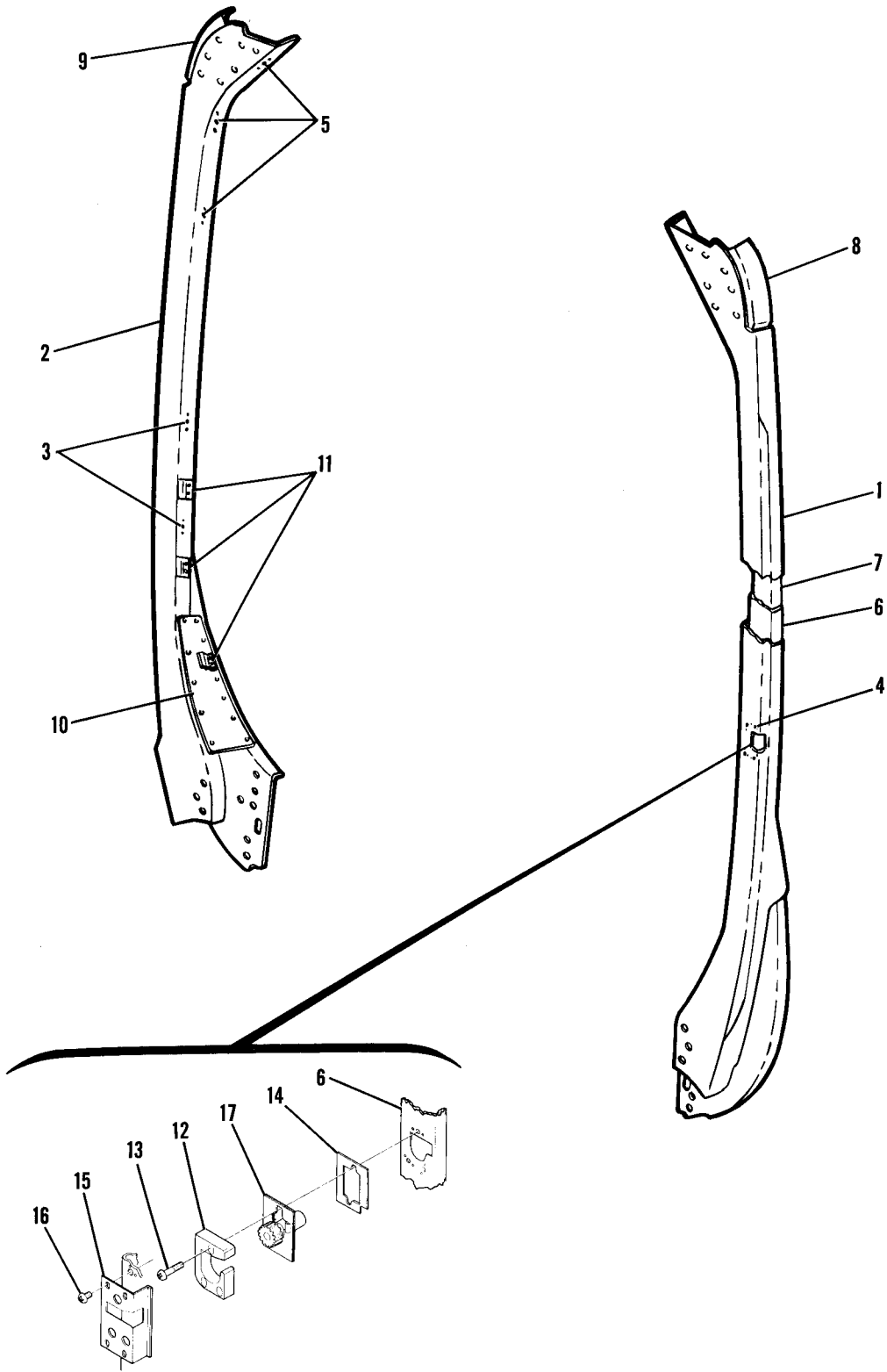


Figure 18. Rear Doorpost Installation



FIGURE AND INDEX NO.	PART NUMBER	DESCRIPTION	UNITS PER ASSY	USABLE ON CODE
		1 2 3 4 5 6 7		
18 -		REAR DOORPOST INSTALLATION -----	NP	
	1211730-1	DOORPOST ASSEMBLY-LH -----	1	
	1211730-2	DOORPOST ASSEMBLY-RH -----	1	
- 1	1211730-3	JAMB ASSEMBLY-LH -----	1	
- 2	1211730-4	JAMB ASSEMBLY-RH -----	1	
- 3	A6191-6Z3	NUT TIN -----	2	
- 4	NAS698A3	NUTPLATE -----	4	
- 5	NAS680A3	NUTPLATE -----	3	
- 6	1211730-5	CHANNEL ASSEMBLY-LH -----	1	
	1211730-6	CHANNEL ASSEMBLY-RH -----	1	
	NAS680A08	NUTPLATE -----	3	
- 7	1211730-7	REINFORCEMENT ASSEMBLY-BULKHEAD LH -----	1	
	1211730-8	REINFORCEMENT ASSEMBLY-BULKHEAD RH -----	1	
	NAS1086A3	NUTPLATE -----	2	
	NAS686A3	NUTPLATE -----	1	
	NAS680A3	NUTPLATE -----	1	
- 8	1211730-15	DOUBLER-LH -----	1	
- 9	1211730-16	DOUBLER-RH -----	1	
-10	1211435-11	DOUBLER -----	1	
-11	0700704-1	CLIP-UPHOLSTERY -----	3	
-12	0711695-9	GUIDE-DOOR -----	2	
		ATTACHING PARTS		
-13	NAS221-15	SCREW -----	3	
		---*---		
-14	0711695-10	SHIM -----	2	
-15	0711695-7	COVER-LH -----	1	
	0711695-8	COVER-RH -----	1	
		ATTACHING PARTS		
-16	NAS221-5	SCREW -----	4	
		---*---		
-17	0711694-11	CLUTCH ASSEMBLY-LH -----	1	
	0711694-12	CLUTCH ASSEMBLY-RH -----	1	

Fuselage (Cont)

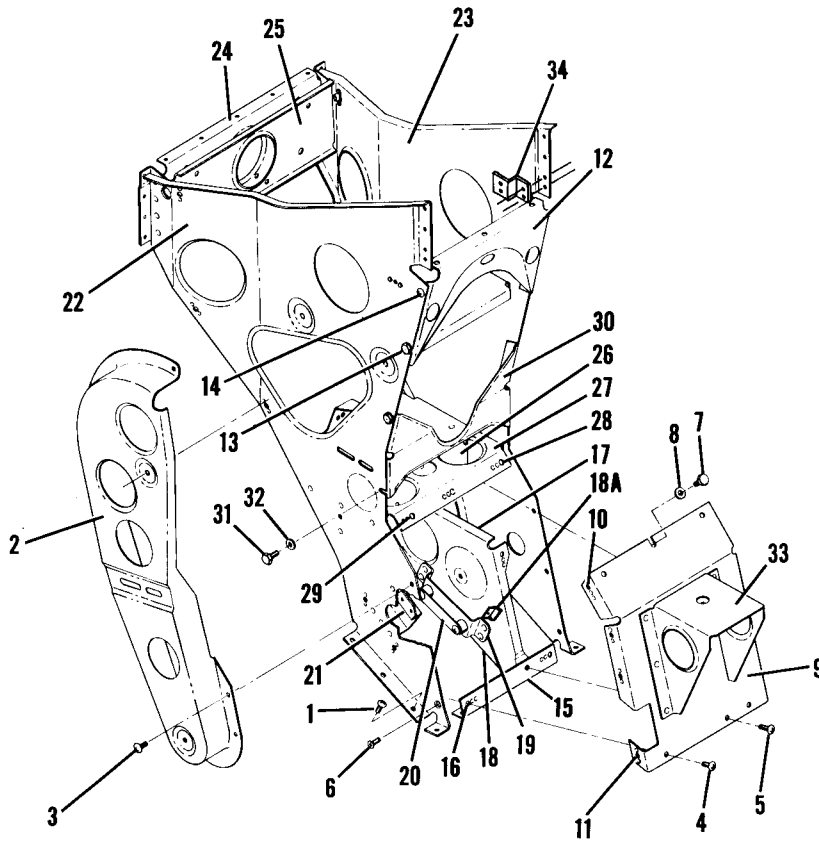


Figure 19. Pedestal Installation

FIGURE AND INDEX NO.	PART NUMBER	DESCRIPTION	UNITS PER ASSY	USABLE ON CODE
19 -	1261631-201 1261631-203	PEDESTAL INSTALLATION ----- PEDESTAL ASSEMBLY ----- PEDESTAL ASSEMBLY ----- ATTACHING PARTS	NP 1 1	A B
- 1	NAS220-8 AN3-4A AN3-3A NAS679A3	SCREW ----- BOLT ----- BOLT ----- NUT -----	6 1 2 3	
- 2	1261633-1	CHAIN GUARD ----- ATTACHING PARTS	1	
- 3	NAS220-8 1261445-3	SCREW ----- *----- PANEL ASSEMBLY-LOWER PEDESTAL ----- ATTACHING PARTS	8 1	
- 4	NAS220-8	SCREW -----	6	
- 5	NAS220-9	SCREW -----	1	
- 6	AN507-832R6	SCREW -----	5	
- 7	AN3-3A	BOLT -----	1	
- 8	AN960-10L	WASHER -----	1	
- 9	1261445-4	PANEL-LOWER PEDESTAL -----	1	
-10	NAS696A08	NUTPLATE -----	2	
-11	NAS697A08	NUTPLATE -----	6	
-12	1261635-1	PANEL ASSEMBLY-UPPER ----- ATTACHING PARTS	1	
-13	AN3-3A	BOLT -----	1	
	AN960-10L	WASHER -----	1	
-14	AN507-832R6	SCREW -----	3	
	1261448-1	ANGLE ASSEMBLY-PEDESTAL -----	1	
-15	1261448-2	ANGLE-PEDESTAL -----	1	
-16	NAS696A08	NUTPLATE -----	1	
-17	1261444-1 1261444-4	SUPPORT ASSEMBLY-ELEVATOR & RUDDER TRIM SHAFT ----- SUPPORT ASSEMBLY-ELEVATOR & RUDDER TRIM SHAFT ----- ATTACHING PARTS	1 1	A B
	AN3-4A	BOLT -----	1	
	NAS679A3	BOLT -----	1	
-18	1261444-2	SUPPORT-ELEVATOR & RUDDER TRIM SHAFT -----	1	
	NAS696A08	NUTPLATE -----	2	
-18A	1260103-1	BRACKET ASSEMBLY -----	1	B
	NAS680A3	NUTPLATE -----	2	
	1261446-1	STOP ASSEMBLY-RUDDER TRIM CONTROL -----	1	
-19	1261446-2	BRACKET ASSEMBLY-RUDDER TRIM CONTROL -----	1	
	1261446-3	BRACKET -----	1	
	NAS696A3	NUTPLATE -----	2	
-20	1261446-4	STRAP -----	1	
	AN520-10R12	ATTACHING PARTS		
	AN960PD10L	SCREW -----	2	
	1261446-5	WASHER ----- SPACER -----	2 2	
-21	1261451-1	SUPPORT-ELEVATOR TRIM SOCKET -----	1	
	1261632-2	SIDE PANEL ASSEMBLY-PEDESTAL RH -----	1	
-22	1261632-9	SIDE PANEL ASSEMBLY-PEDESTAL LH -----	1	A
	1261632-13	SIDE PANEL ASSEMBLY-PEDESTAL LH -----	1	B
-23	1261632-2	SIDE PANEL ASSEMBLY-PEDESTAL RH -----	1	A
	1261632-14	SIDE PANEL ASSEMBLY-PEDESTAL RH -----	1	B
	NAS697A08	NUTPLATE-RH PANEL -----	3	
	1261425-1	PULLEY BRACKET-STA. 3.85 CENTER -----	1	
-24	1261425-2	BRACKET -----	1	
	NAS680A4	NUTPLATE -----	2	
-25	1261426-1	PULLEY BRACKET-STA. 3.85 CENTER -----	1	
	1260427-1	SUPPORT BRACKET ASSEMBLY-RUDDER TRIM CONTROL -----	1	
-26	1260427-2	BRACKET-SUPPORT -----	1	
	NAS696A08	NUTPLATE -----	2	
	1261447-1	BRACKET ASSEMBLY-RUDDER TRIM CONTROL SUPPORT -----	1	
-27	1261447-2	BRACKET -----	1	
-28	NAS696A08	NUTPLATE -----	2	

CONTINUED ON NEXT PAGE

FIGURE AND INDEX NO.	PART NUMBER	DESCRIPTION	UNITS PER ASSY	USABLE ON CODE
		1 2 3 4 5 6 7		
19 -29	NAS696A3	NUTPLATE -----	1	
	AN256F10	NUTPLATE-RING ANGLE -----	1	
-30	1261636-1	PLATE-PEDESTAL CENTER -----	1	
		ATTACHING PARTS		
-31	AN3-3A	BOLT -----	2	
-32	AN960-10L	WASHER -----	2	
		-----*		
	NAS697A08	NUTPLATE -----	1	
	NAS697A3	NUTPLATE -----	1	
	NAS696A3	NUTPLATE -----	1	
	NAS696A08	NUTPLATE -----	1	
-33	1261455-1	BRACKET ASSEMBLY-FUEL CONTROL -----	1	
-34	1261646-2	SUPPORT BRACKET-COWL FLAP CONTROL -----	1	
		A---210 SERIAL 21058819 THRU 21059061 T210 SERIAL T210-0198 THRU T210-0392		
		B---210 SERIAL 21059062 & ON T210 SERIAL T210-0393 & ON		



FIGURE AND INDEX NO.	PART NUMBER	DESCRIPTION							UNITS PER ASSY	USABLE ON CODE	
		1	2	3	4	5	6	7			
20 -		LOWER CABIN SECTION COMPONENTS -----							NP		
- 1	1291140-7	#	LOWER CABIN SECTION STRUCTURE ASSEMBLY -----							1	
	SEE FIG 21		BELLY SECTION STRUCTURE ASSEMBLY -----							1	
- 2	1211493-1		BULKHEAD ASSEMBLY STA. 98.00 -----							1	
- 3	1211494-2		BULKHEAD -----							1	
- 4	1211464-1		STOP-LH -----							1	
- 5	1211464-2		STOP-RH -----							1	
- 6	1211410-1		STOP -----							1	
- 7	1211461-1		REINFORCEMENT -----							1	
- 8	1211461-2		REINFORCEMENT -----							1	
- 9	1280623-1		DOUBLER-LH -----							1	
	1280623-2		DOUBLER-RH -----							1	
- 10	1280624-1		BRACKET-LH -----							1	
- 11	1280624-2		BRACKET-RH -----							1	
	1211409-1		DOUBLER -----							1	
	1211413-1		TEE ASSEMBLY -----							1	
- 12	NAS696A4		NUTPLATE -----							1	
- 13	NAS680A08		NUTPLATE -----							3	
- 14	NAS680A03		NUTPLATE -----							6	
- 15	AN6195-8Z3		NUTPLATE -----							9	
- 16	1211474-1		DOUBLER -----							2	
- 17	1280621-1		BRACKET-FITTING SUPPORT -----							2	
- 18	1280621-2		BRACKET-FITTING SUPPORT -----							1	
	1280622-1		BRACKET-CENTER FITTING SUPPORT -----							1	
	1211444-4		BULKHEAD ASSEMBLY -----							1	
- 19	1211432-2		BULKHEAD-LOWER -----							1	
- 20	1211462-1		PLATE-COVER -----							2	
- 21	1211432-28		ANGLE -----							1	
- 22	1211432-13		SUPPORT ASSEMBLY-BULKHEAD -----							1	
	A6195-8Z3		NUTPLATE TIN -----							6	
	A6196-8Z3		NUTPLATE TIN -----							4	
	NAS680A4		NUTPLATE -----							2	
- 23	1211116-1		STOP-DOOR -----							1	
- 24	1211444-2		WEB ASSEMBLY-BULKHEAD -----							1	
	S1021Z8-8		ATTACHING PARTS -----								
			SCREW -----							26	
			-----*								
	A6201-8Z3		NUT TIN -----							6	
	A6195-8Z3		NUT TIN -----							3	
	A6195-8Z3		NUT TIN -----							14	
- 25	1211417-1		BULKHEAD ASSEMBLY STA. 80.32 -----							1	
	1211417-3		DOUBLER -----							1	
	1211423-2		FAIRLEAD -----							1	
	S339-9		CLIP -----							4	
	S339-3		CLIP -----							4	
	NAS682A4		NUTPLATE -----							2	
- 26	1211414-22		TUNNEL ASSEMBLY-INBOARD -----							1	
	1211416-1		ANGLE -----							1	
	NAS680A3K		NUTPLATE -----							4	
- 27	1211414-23		TUNNEL ASSEMBLY-INBOARD -----							1	
	NAS680A3K		NUTPLATE -----							4	
- 28	1211414-13		GUSSET-INBOARD -----							2	
- 29	1211414-14		GUSSET-OUTBOARD -----							2	
- 30	1211415-1		SUPPORT-LH -----							1	
- 31	1211415-2		SUPPORT-RH -----							1	
- 32	1211414-26		TUNNEL ASSEMBLY-OUTBOARD LH -----							1	
- 33	1211414-27		TUNNEL ASSEMBLY-OUTBOARD RH -----							1	
	NAS680A3K		NUTPLATE -----							4	
- 34	S1072-1		DOUBLER ASSEMBLY -----							1	
	A6162-8Z3		NUTPLATE TIN -----							6	

CONTINUED ON NEXT PAGE

Fuselage (Cont)

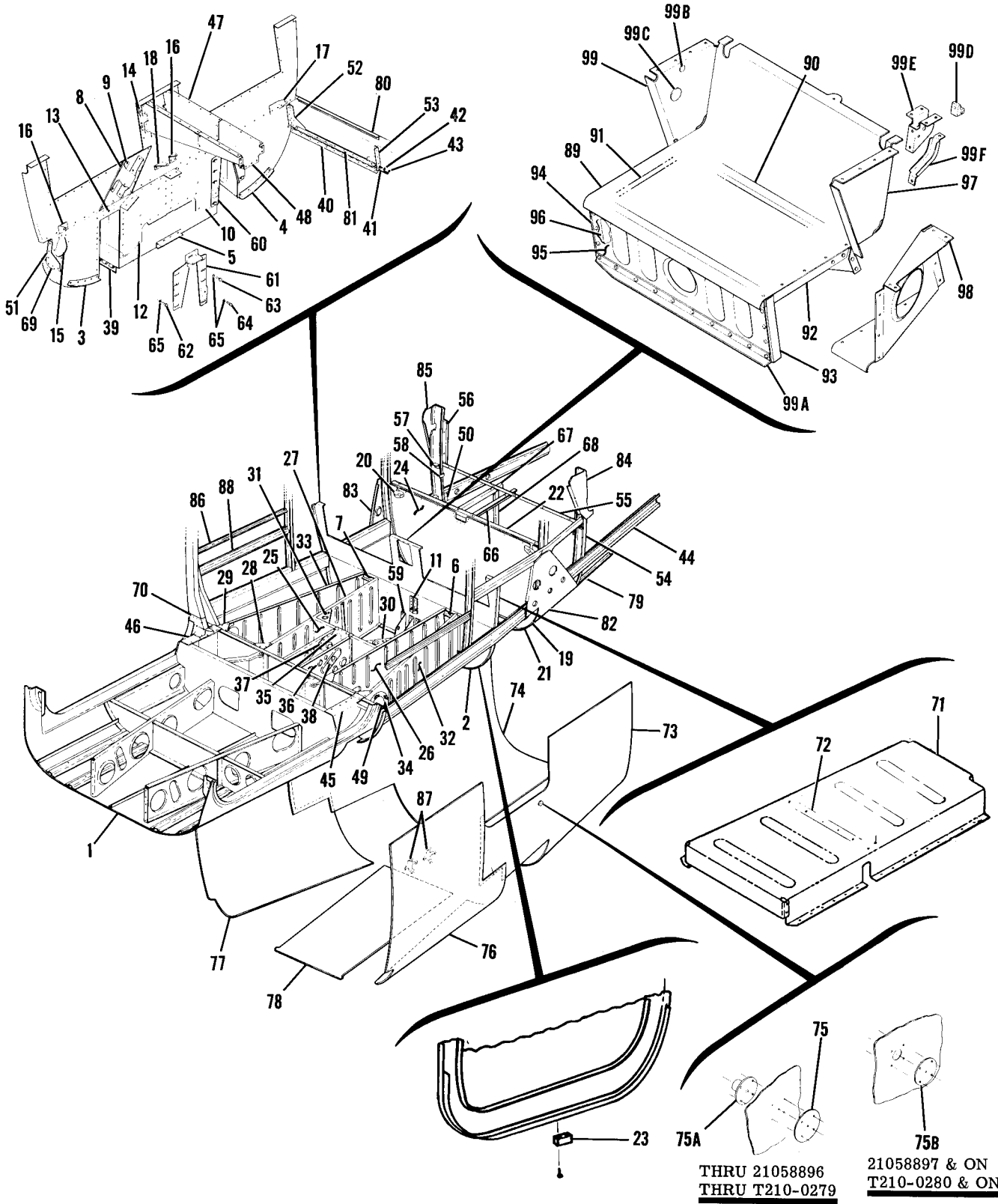


Figure 20. Lower Cabin Section Components

FIGURE AND INDEX NO.	PART NUMBER	DESCRIPTION	UNITS PER ASSY	USABLE ON CODE
20 -35	1211419-1	COUBLER -----	1	
	1211418-1	SUPPORT ASSEMBLY -----	1	
-36	1211418-2	SUPPORT -----	1	
	1211418-3	COUBLER -----	1	
-37	1211418-6	SUPPORT -----	1	
	A6191-8Z3	NUT TIN -----	6	
-38	1211418-4	SUPPORT ASSEMBLY -----	1	
	NAS1067A4	NUTPLATE -----	2	
	1211414-2	FILLER -----	1	
-39		HINGE ASSEMBLY-SPRING WELL DOOR LH -----	NP	
		HINGE ASSEMBLY-SPRING WELL DOOR RH -----	NP	
	1211480-6	HINGE HALF LH-ON DCOR -----	1	
	1211480-5	HINGE HALF RH-ON DCOR -----	1	
	1211480-8	HINGE HALF LH-ON FUSELAGE -----	1	
	1211480-7	HINGE HALF RH-ON FUSELAGE -----	1	
		ATTACHING PARTS		
	MS20253-2-2981	PIN-HINGE -----	1	
	MS24665-22	PIN-COTTER -----	1	
		---*---		
	1211414-15	CLIP -----	2	
-40		HINGE ASSEMBLY-MAIN WHEEL DCOR RH -----	NP	
		HINGE ASSEMBLY-MAIN WHEEL DCOR LH -----	NP	
	1211480-2	HINGE HALF RH-ON DCOR -----	1	
	1211480-1	HINGE HALF LH-ON DCOR -----	1	
	1211480-4	HINGE HALF RH-ON FUSELAGE -----	1	
	1211480-3	HINGE HALF LH-ON FUSELAGE -----	1	
		ATTACHING PARTS		
-41	1234024-5	PIN-HINGE -----	1	
-42	AN515-8R7	SCREW -----	1	
-43	NAS679A08	NUT -----	1	
		---*---		
-44	1211402-15	LONGERON ASSEMBLY -----	1	
	1211402-16	LONGERON ASSEMBLY -----	1	
	NAS680A4	NUT -----	1	
	NAS697A3	NUT -----	2	
	NAS463WDD416	SHIM -----	2	
	1211460-1	BRACKET -----	4	
	1211711-1	BRACKET -----	2	
		ATTACHING PARTS		
	AN525-10R8	SCREW -----	1	
	NAS679A3	NUT -----	1	
		---*---		
-45	1210414-1	FLOOR PANEL-OUTBOARD LH -----	1	
-46	1210414-2	FLOOR PANEL-OUTBOARD RH -----	1	
-47	1211451-4	BRACKET AND COVER ASSEMBLY -----	1	
-48	1211451-2	COVER -----	1	
-49	1211401-1	ANGLE -----	2	
-50	1211401-2	ANGLE -----	2	
-51	1211404-1	ANGLE-LH -----	1	
-52	1211404-2	ANGLE-RH -----	1	
-53	1211405-2	ANGLE-RH -----	1	
	1211405-1	ANGLE-LH -----	1	
-54	1211427-16	BULKHEAD ASSEMBLY STA. 124.00 -----	1	
-55	1211427-6	SUPPORT ASSEMBLY -----	1	
	A6191-6Z3	NUT TINN -----	1	
-56	1211427-10	RETAINER ASSEMBLY -----	1	
	1211427-9	RETAINER ASSEMBLY -----	1	
	A6191-6Z3	NUT TINN -----	2	
-57	1211427-2	CLIP -----	2	
-58	S1154-1	BRACKET -----	2	
-59	1211469-11	BRACKET-PULLEY -----	3	
-60	1211467-1	BRACKET ASSEMBLY-RH -----	1	
-61	1211467-2	BRACKET ASSEMBLY-LH -----	1	
		ATTACHING PARTS		
-62	AN3-3A	BOLT -----	1	
-63	AN3-5A	BOLT -----	4	
-64	AN3H5A	BOLT -----	1	
-65	AN960-1CL	WASHER -----	9	
		---*---		
-66	1211450-1	SUPPORT-BAGGAGE FLOOR-LH -----	1	
-67	1211450-2	SUPPORT-BAGGAGE FLOOR-RH -----	1	

CONTINUED ON NEXT PAGE

FIGURE AND INDEX NO.	PART NUMBER	DESCRIPTION	UNITS PER ASSY	USABLE ON CODE
20 -68	1211499-1	ANGLE-BRACE ----- ATTACHING PARTS -----	1	
	AN3-3A	BOLT -----	2	
	AN960-10	WASHER -----	2	
	NAS679A3	NUT -----	2	
		-----*-----		
-69	1211400-22	ANGLE -----	1	
-70	1210411-2	REINFORCEMENT-DOOR SILL RH -----	1	
	1210411-1	REINFORCEMENT-DOOR SILL LH -----	1	
		RADIO SHELF INSTALLATION -----	NP	
-71	127C460-1	SHELF ASSEMBLY-RADIO -----	1	
-72	127C460-3	ANGLE-RADIO SHELF -----	1	
-73	1211720-9	SKIN-LCWER AFT-LH STA. 90.00 TO 138.00 -----	1	
-74	1211720-10	SKIN-LCWER AFT-RH STA. 90.00 TO 138.00 -----	1	
-75	S1141-3	WASHER-STATIC -----	2	A
-75A	S347-1	FLANGE -----	2	A
	S1138-1	TEE -----	1	
	S1135-1	ELBOW -----	1	
-75B	S1776-4	BUTTON-STATIC -----	2	B
-76	1211400-3	SKIN-LCWER FORWARD LH STA. 68.33 TO 98.00 -----	1	
-77	1211400-4	SKIN-LCWER FORWARD RH STA. 68.33 TO 98.00 -----	1	
-78	1211400-5	SKIN-BOTTOM FORWARD STA. 68.33 TO 98.00 -----	1	
-79	1211742-1	STRINGER -----	1	
	1211742-2	STRINGER -----	1	
	1211745-1	STRINGER -----	1	
-80	1211720-14	ANGLE -----	1	
	1211720-13	ANGLE -----	1	
-81	1211720-12	ANGLE -----	1	
	1211720-11	ANGLE -----	1	
-82	1211743-1	DOUBLER-LH -----	1	
-83	1211743-2	DOUBLER-RH -----	1	
-84	1211732-1	GUSSET LH -----	1	
-85	1211732-2	GUSSET RH -----	1	
-86	1211437-4	STRINGER-RH -----	1	
	1211437-3	STRINGER-LH -----	1	
-87	C700688-1	BRACKET-ARMREST -----	4	
-88	1211489-6	STRINGER ASSEMBLY RH -----	1	
	1211489-5	STRINGER ASSEMBLY LH -----	1	
	1200484-201	CHILD SEAT STRUCTURE ASSEMBLY LH -----	1	
	1200484-200	CHILD SEAT STRUCTURE ASSEMBLY RH -----	1	
-89	1200484-2	PAN-SEAT LH -----	1	
	1200484-25	PAN-SEAT RH -----	1	
-90	1200484-3	ANGLE-BULKHEAD LH -----	1	
	1200484-4	ANGLE-BULKHEAD RH -----	1	
-91	1200484-7	ANGLE ASSEMBLY -----	1	
-92	1200484-8	ANGLE ASSEMBLY -----	1	
-93	1200484-11	LEG-SEAT SUPPORT -----	1	
-94	1200484-12	LEG-SEAT SUPPORT -----	1	
-95	1200482-1	PANEL-FORWARD -----	1	
-96	1200483-1	PANEL-SIDE LH -----	1	
	1200483-2	PANEL-SIDE RH -----	1	
-97	1200489-1	BRACKET-LH -----	1	
	1200489-2	BRACKET-RH -----	1	
-98	1200490-5	COVER-LH -----	1	
	1200490-6	COVER-RH -----	1	
-99	1200489-3	BRACKET-RH LEFT SEAT -----	1	
	1200489-4	BRACKET-LH RIGHT SEAT -----	1	
-99A	1200484-31	ANGLE-SUPPORT LH -----	1	
	1200484-30	ANGLE-SUPPORT RH -----	1	
-99B	CM2692-12-3S	PLUG BUTTON -----	1	
-99C	SS51026K2215	PLUG BUTTON -----	1	
-99D	1200484-13	STOP-LOWER -----	4	
-99E	1200484-14	BRACKET-HINGE -----	4	
-99F	1200484-15	COVER-BRACKET -----	4	

NOTE. *WHEN ORDERING THIS PART FOR AIRPLANES PRIOR TO SERIALS 21058897 AND T210-0280 ALSO ORDER PARTS MARKED **.

NOTE. #FOR AIRPLANES THAT ARE EQUIPPED WITH OXYGEN BOTTLE ACCESS DOOR, SEE FIGURE 127B.

A---210 SERIAL 21058819 THRU 21058896
T210 SERIAL T210-0198 THRU T210-0279
B---210 SERIAL 21058897 & ON
T210 SERIAL T210-0280 & ON

This page intentionally left blank.

Fuselage (Cont)

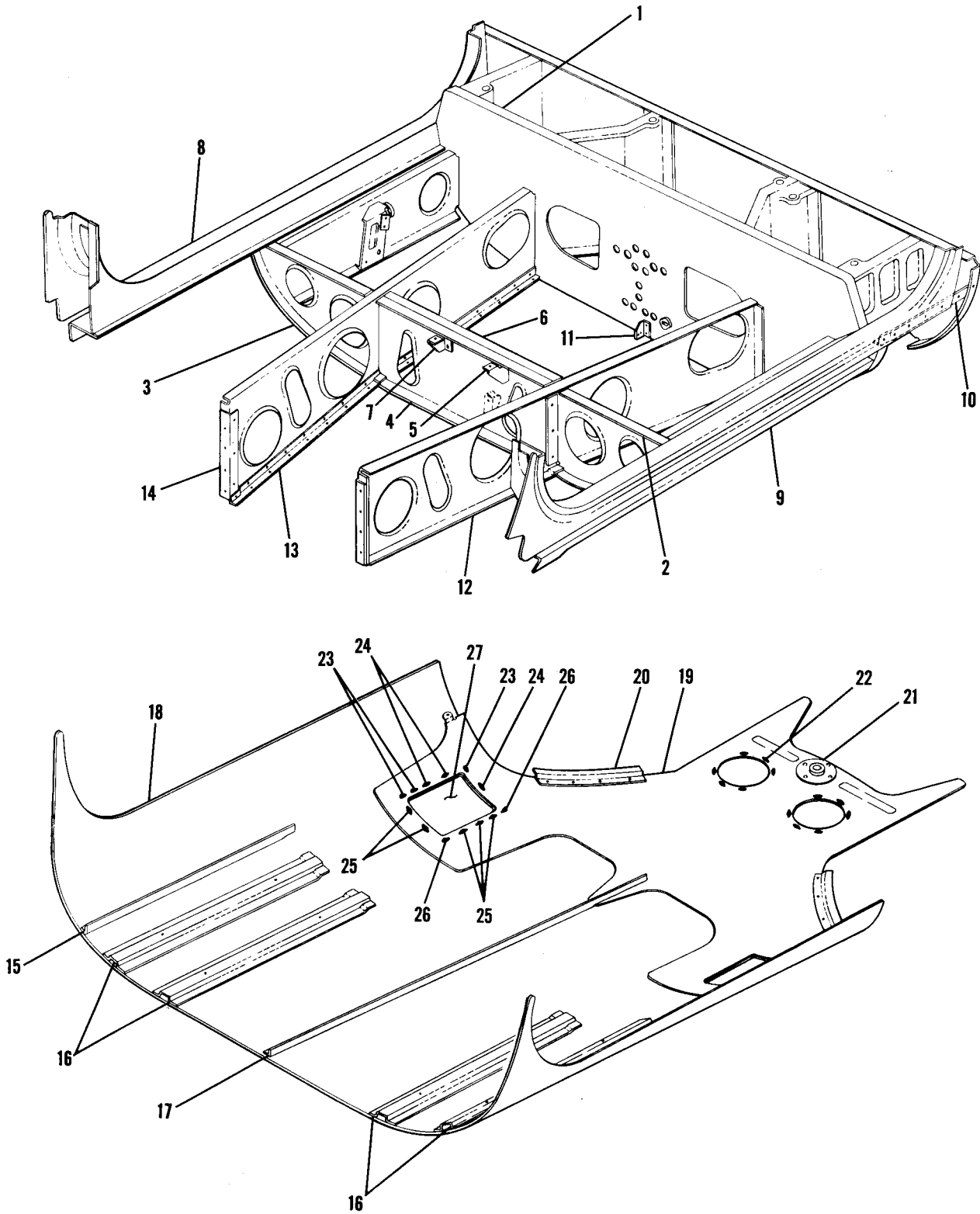
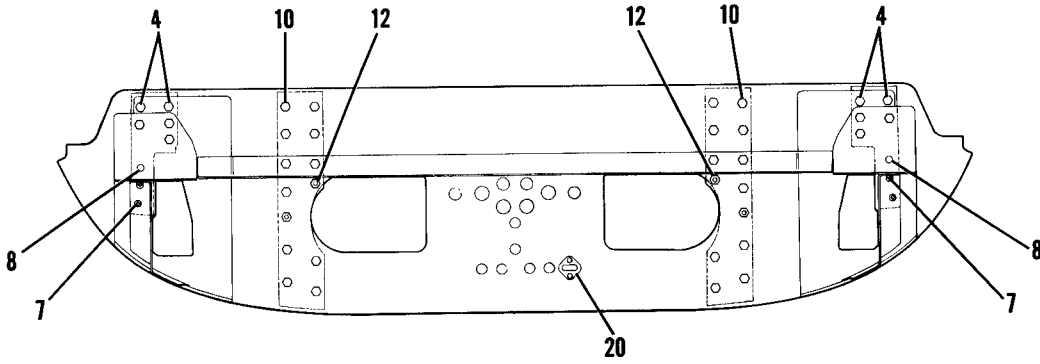


Figure 21. Fuselage Belly Section Assembly

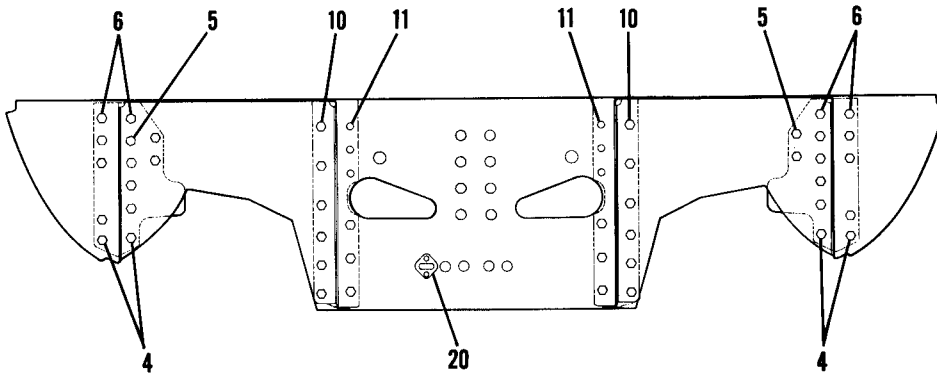
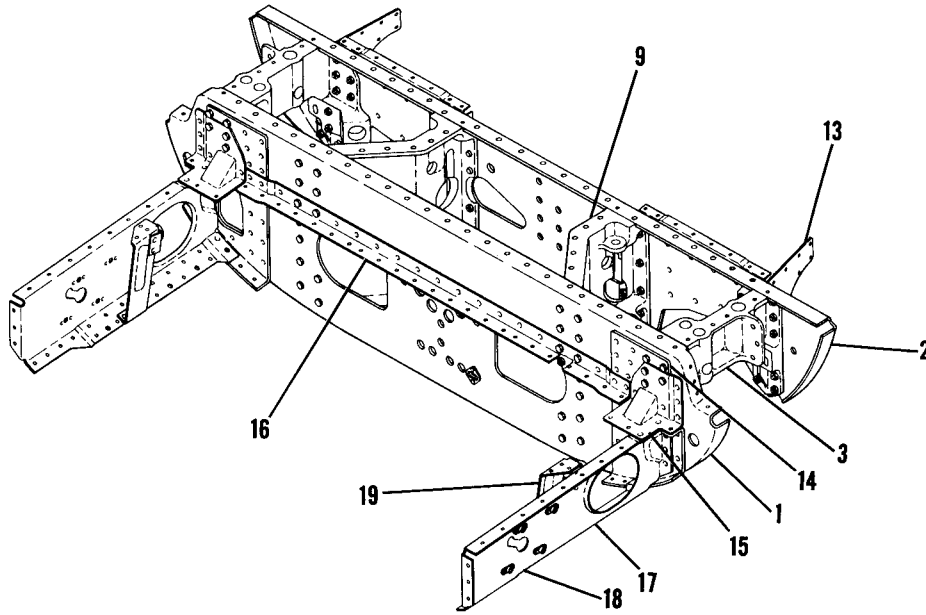


FIGURE AND INDEX NO.	PART NUMBER	DESCRIPTION	UNITS PER ASSY	USABLE ON CODE
21 -	1291140-6	FUSELAGE BELLY SECTION ASSEMBLY -----	1	
- 1	SEE FIG 22	BULKHEAD ASSEMBLY-MAIN GEAR ACTUATOR -----	1	
- 2	1210412-3	BULKHEAD-LH STA. 44.00 -----	1	
- 3	1210412-4	BULKHEAD-RH STA. 44.00 -----	1	
- 4	1210412-1	BULKHEAD-CENTER STA 44.00 -----	1	
- 5	1210412-5	BRACKET-TRIM -----	1	
- 6	1210412-6	ANGLE-REINFORCEMENT -----	1	
- 7	0710613-1	SUPPORT -----	2	
- 8	1210402-2	SILL ASSEMBLY-RH -----	1	
	1210402-1	SILL ASSEMBLY-LH -----	1	
- 9	1210402-7	SUPPORT-SILL LH -----	1	
	1210402-8	SUPPORT-SILL RH -----	1	
-10	1210413-1	ANGLE -----	2	
-11	1210419-1	ANGLE -----	1	
-12	1210405-1	BULKHEAD ASSEMBLY-LH -----	1	
	1210405-2	BULKHEAD ASSEMBLY-RH -----	1	
-13	1210405-6	ANGLE-RH -----	1	
	1210405-5	ANGLE-LH -----	1	
-14	1210410-2	ANGLE-RH -----	1	
	1210410-1	ANGLE-LH -----	1	
-15	1210409-3	STRINGER-OUTBCARD RH -----	1	
	1210409-2	STRINGER-OUTBCARD LH -----	1	
-16	1210418-2	STRINGER -----	4	
-17	1210409-1	STRINGER-CENTER -----	1	
-18	1210701-2	SKIN-LOWER CENTER -----	1	
-19	1210701-5	DOUBLER -----	1	
-20	1211471-2	RETAINER-RH -----	1	
	1211471-1	RETAINER-LH -----	1	
-21	1211420-1	SUPPORT-SPRING DCCR -----	1	
-22	A6203-273	NUT TIN -----	12	
-23	NAS682A3	NUTPLATE -----	6	
-24	NAS680A3	NUTPLATE -----	6	
-25	NAS681A3	NUTPLATE -----	10	
-26	NAS683A3	NUTPLATE -----	4	
-27	1210701-4	COVER PLATE-RH -----	1	
	1210701-3	COVER PLATE-LH -----	1	
	AN507-1032R10	ATTACHING PARTS SCREW -----	26	
		---*---		

Fuselage (Cont)



FWD VIEW OF FRONT BULKHEAD



AFT VIEW OF REAR BULKHEAD

Figure 22. Main Gear Actuator Bulkhead Assembly

FIGURE AND INDEX NO.	PART NUMBER	DESCRIPTION	UNITS PER ASSY	USABLE ON CODE
		1 2 3 4 5 6 7		
22 -	1291140-3	MAIN GEAR ACTUATOR BULKHEAD ASSEMBLY -----	1	
- 1	1211423-1	BULKHEAD STA. 59.70 -----	1	
- 2	1211422-1	BULKHEAD STA. 68.33 -----	1	
- 3	1211424-3	FITTING ASSEMBLY-LH OUTBOARD -----	1	
	1211424-4	FITTING ASSEMBLY-RH OUTBOARD -----	1	
		ATTACHING PARTS		
- 4	AN173-6A	BOLT -----	13	
- 5	NAS1303-8	BOLT -----	3	
- 6	NAS1303-7	BOLT -----	2	
- 7	NAS221-16	SCREW -----	2	
	2935-0	WASHER EN -----	20	
	K19C01-3	WASHER KNM ALT -----	20	
	52LH2935-02	NUT EN -----	20	
	H19C00-3	NUT KNM ALT -----	20	
- 8	NAS1054-6-9	RIVET-HI-SHEAR -----	1	
	NAS179-6	COLLAR -----	1	
		---*---		
	NAS698A3	NUTPLATE -----	1	
- 9	1211425-1	FITTING ASSEMBLY-LH INBOARD -----	1	
	1211425-2	FITTING ASSEMBLY-RH INBOARD -----	1	
		ATTACHING PARTS		
-10	AN173-6A	BOLT -----	21	
	2935D	WASHER EN -----	21	
	K19C01-3	WASHER KNM ALT -----	21	
	52LH2935-02	NUT EN -----	21	
	H19C00-3	NUT KNM ALT -----	21	
-11	NAS1054-6-5	RIVET-HI-SHEAR -----	3	
	NAS179-6	COLLAR -----	3	
-12	AN173-6A	BOLT -----	1	
	AN960-10	WASHER -----	1	
	NAS679A3	NUT -----	1	
		---*---		
	13630-02	NUT-ANCHOR -----	5	
	1241041-1	RUSHING -----	1	
	NAS561P4-6	PIN -----	1	
-13	1211422-3	DOUBLER-LH STA. 68.33 -----	1	
	1211422-4	DOUBLER-RH STA. 68.33 -----	1	
-14	1211423-3	DOUBLER-LH STA. 59.70 -----	1	
	1211423-4	DOUBLER-RH STA. 59.70 -----	1	
-15	1211423-5	COVER-LH STA. 59.70 -----	1	
	1211423-6	COVER-RH STA. 59.70 -----	1	
-16	1211423-7	ANGLE STA. 59.70 -----	1	
-17	1210401-201	LONGITUDINAL BULKHEAD ASSEMBLY-LH -----	1	
	1210401-200	LONGITUDINAL BULKHEAD ASSEMBLY-RH -----	1	
-18	1210406-1	BULKHEAD-LH -----	1	
	1210406-2	BULKHEAD-RH -----	1	
-19	1210417-1	SUPPORT ASSEMBLY-ACTUATOR LH -----	1	
	1210417-2	SUPPORT ASSEMBLY-ACTUATOR RH -----	1	
-20	1211423-2	FAIRLEAD -----	2	

Fuselage (Cont)

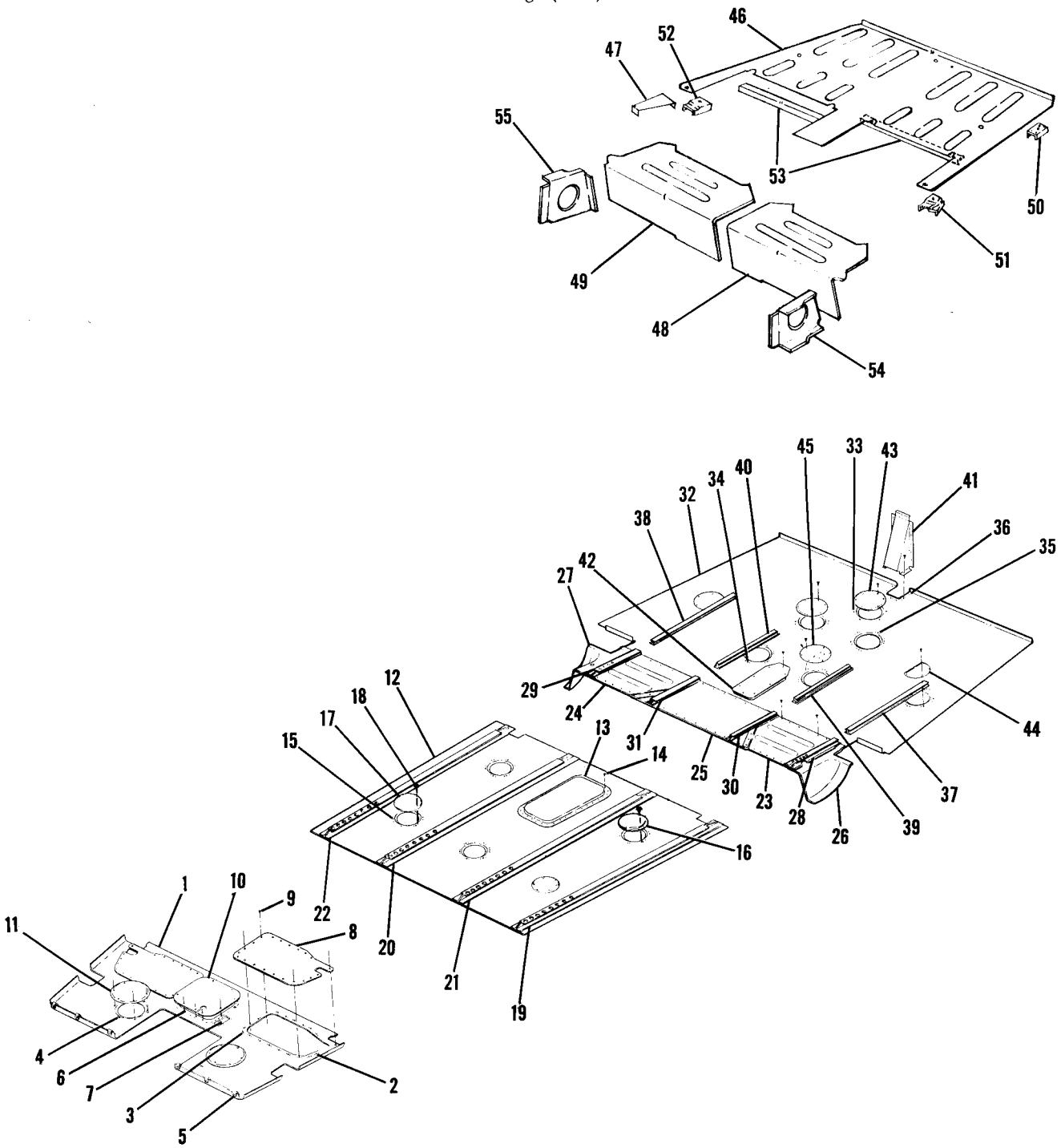


Figure 23. Floorboard Installation

FIGURE AND INDEX NO.	PART NUMBER	DESCRIPTION	UNITS PER ASSY	USABLE ON CODE
23 -		FLCRRBOARD INSTALLATION -----	NP	
		FLOORBOARD INSTALLATION-FRONT -----	NP	
- 1	1213415-10	FLOORBOARD ASSEMBLY-FORWARD SECTION -----	1	
- 2	NAS697A08	NUTPLATE -----	23	
- 3	NAS696A08	NUTPLATE -----	2	
- 4	A6195-8Z3	NUTPLATE TIN -----	12	
- 5	NAS395-14-3	NUT -----	6	
- 6	1213494-1	DOUBLER ASSEMBLY -----	1	
	A6195-10Z1	NUT TIN -----	7	
	A6196-10Z1	NUT TIN -----	2	
- 7	1213415-11	RETAINER-SEAL -----	1	
	1213415-12	SEAL -----	1	
- 8	1213512-1	PLATE-COVER -----	2	
		ATTACHING PARTS		
- 9	AN515-8R8	SCREW -----	20	
		-----*		
-10	1213495-1	PLATE-COVER -----	1	
		ATTACHING PARTS		
	1210421-1	GASKET-COVER PLATE -----	1	
	S1021Z10-8	SCREW -----	8	
		-----*		
-11	S225-6	PLATE-INSPECTION -----	2	
		ATTACHING PARTS		
	1210420-2	GASKET-INSPECTION PLATE -----	1	
	S1022Z8-8	SCREW -----	6	
		-----*		
-12	1210404-10	FLCRRBOARD ASSEMBLY-CENTER SECTION -----	1	
	NAS680A08	NUTPLATE -----	23	
-13	1210404-7	PLATE-COVER -----	1	
		ATTACHING PARTS		
	1210422-1	GASKET-COVER PLATE -----	1	
-14	AN515-8R7	SCREW -----	24	
		-----*		
-15	A6191-8Z3	NUTPLATE -----	30	
	NAS680A03	NUTPLATE -----	1	
-16	S225-5	PLATE-COVER -----	3	
		ATTACHING PARTS		
	1210420-1	GASKET-COVER PLATE -----	1	
	S1021Z8-8	SCREW -----	6	
		-----*		
-17	S225-7	PLATE-COVER -----	2	
		ATTACHING PARTS		
-18	S1021Z8-8	SCREW -----	6	
		-----*		
-19	1210408-5	RAIL-SEAT LH OUTBOARD -----	1	
-20	1210408-6	RAIL-SEAT RH INBOARD -----	1	
-21	1210408-1	RAIL-SEAT LH INBOARD -----	1	
-22	1210408-4	RAIL-SEAT RH OUTBOARD -----	1	
		FLCRRBOARDS INSTALLATION-AFT SECTION -----	NP	
-23	1210407-7	FLOORBOARD ASSEMBLY-FORWARD LH -----	1	
	NAS680A3K	NUTPLATE -----	3	
-24	1210407-8	FLOORBOARD ASSEMBLY-FORWARD RH -----	1	
	NAS680A3K	NUTPLATE -----	3	
-25	1210407-9	FLCRRBOARD ASSEMBLY-FORWARD CENTER -----	1	
		ATTACHING PARTS		
	NAS221-8	SCREW -----	56	
	NAS221-10	SCREW -----	2	
	NAS221-15	SCREW -----	2	
		-----*		
	NAS680A3K	NUTPLATE -----	3	
-26	1210414-1	FLOOR PANEL-OUTBOARD LH -----	1	
-27	1210414-2	FLOOR PANEL-OUTBOARD RH -----	1	
-28	1200487-3	RAIL-SEAT LH OUTBOARD -----	1	
	1200524-5	RAIL-SEAT LH OUTBOARD 4 PLACE ONLY -----	1	
-29	1200487-4	RAIL-SEAT RH OUTBOARD -----	1	
	1200524-6	RAIL-SEAT RH OUTBOARD 4 PLACE ONLY -----	1	
		ATTACHING PARTS		
	1200487-10	SHIM -----	1	
	NAS221-6	SCREW -----	3	
	NAS221-9	SCREW -----	5	
		-----*		

CONTINUED ON NEXT PAGE

FIGURE AND INDEX NO.	PART NUMBER	DESCRIPTION	UNITS PER ASSY	USABLE ON CODE
23 -30	12C0487-1	RAIL-SEAT LH INBCARD -----	1	
-31	12C0487-2	RAIL-SEAT RH INBCARD -----	1	
	NAS221-6	ATTACHING PARTS		
	NAS221-9	SCREW -----	3	
		SCREW -----	3	
		---*---		
-32	1211414-28	PANEL ASSEMBLY -----	1	
	NAS680A08K	NUTPLATE -----	36	
-33	NAS680A3	NUTPLATE -----	2	
-34	NAS681A08K	NUTPLATE -----	12	
-35	A6195-8Z3	NUTPLATE TIN -----	35	
	NAS682A08K	NUTPLATE -----	4	
-36	A6201-8Z3	NUTPLATE TIN -----	2	
-37	12C0487-11	RAIL-SEAT LH OUTBOARD -----	1	
	12C0527-7	RAIL-SEAT LH OUTBOARD 4 PLACE ONLY -----	1	
-38	12C0487-12	RAIL-SEAT RH OUTBOARD -----	1	
	12C0527-8	RAIL-SEAT RH OUTBOARD 4 PLACE ONLY -----	1	
-39	12C0487-5	RAIL-SEAT LH INBOARD -----	1	
	12C0524-1	RAIL-SEAT LH INBOARD 4 PLACE ONLY -----	1	
-40	12C0487-6	RAIL-SEAT RH INBOARD -----	1	
	12C0524-2	RAIL-SEAT RH INBOARD 4 PLACE ONLY -----	1	
		ATTACHING PARTS		
	AN525-832R8	SCREW 4 PLACE ONLY -----	13	
	NAS680A08K	NUTPLATE 4 PLACE ONLY -----	5	
	AN525-832R8	SCREW 6 PLACE ONLY -----	8	
		---*---		
-41	1260451-4	COVER-CONTROL CABLES -----	1	
		ATTACHING PARTS		
	S102178-8	SCREW -----	17	
		---*---		
-42	1211414-18	PLATE-COVER -----	1	
		ATTACHING PARTS		
	1210423-1	GASKET-COVER PLATE -----	1	
	S102278-8	SCREW -----	8	
		---*---		
-43	S225-4F	PLATE-INSPECTION 6 PLACE ONLY -----	5	
	S225-4F	PLATE-INSPECTION 4 PLACE ONLY -----	3	
		ATTACHING PARTS		
	1210420-2	GASKET -----	1	
	S102278-8	SCREW -----	6	
		---*---		
-44	12C0522-1	PLATE-COVER 4 PLACE ONLY -----	2	
		ATTACHING PARTS		
	S102278-8	SCREW 4 PLACE ONLY -----	4	
		---*---		
-45	12C0488-1	COVER ASSEMBLY -----	1	
	12C0488-2	COVER ASSEMBLY -----	1	
		ATTACHING PARTS		
	AN509-8R7	SCREW -----	6	
	1210420-2	GASKET -----	1	
		---*---		
	NAS680A08K	NUTPLATE -----	4	
-46	1211497-2	FLCGRBOARD-BAGGAGE -----	1	
		ATTACHING PARTS		
	AN525-416R9	SCREW -----	6	
	NAS680A4	NUTPLATE -----	4	
	5S5-6	RECEPTACLE CLC -----	2	
		---*---		
-47	1211477-9	SUPPORT-CHILD SEAT -----	1	
-48	1211060-1	COVER LH -----	1	
-49	1211060-2	COVER RH -----	1	
-50	1211066-3	CHANNEL ASSEMBLY -----	2	
	NAS682A4	NUTPLATE -----	1	
-51	1211066-1	CHANNEL ASSEMBLY-LH -----	1	
-52	1211066-5	CHANNEL ASSEMBLY-RH -----	1	
	NAS682A4	NUTPLATE -----	1	
-53	1211066-4	STIFFENER -----	2	
-54	12C0490-3	COVER-LH -----	1	
-55	12C0490-4	COVER-RH -----	1	



FIGURE AND INDEX NO.	PART NUMBER	DESCRIPTION	UNITS PER ASSY	USABLE ON CODE
24 -		UPPER AFT CABIN COMPONENTS -----	NP	
	1211740-1	STRINGER ASSEMBLY LH -----	1	
	1211740-2	STRINGER ASSEMBLY RH -----	1	
- 1	1211740-7	STRINGER-LH FORWARD -----	1	
- 2	1211740-8	STRINGER-RH FORWARD -----	1	
- 3	1211740-3	STRINGER ASSEMBLY LH AFT -----	1	
- 4	1211740-4	STRINGER ASSEMBLY RH AFT -----	1	
	NAS680A3	NUTPLATE -----	1	
- 5	1211748-1	GUSSET LH -----	1	
- 6	1211748-2	GUSSET RH -----	1	
- 7	1211717-1	GUSSET -----	2	
- 8	1211757-1	BRACKET HALF-CENTER -----	1	A
- 9	1211757-2	BRACKET HALF-CENTER -----	1	A
-10	1211718-1	STRINGER -----	2	
-11	1211738-2	GUSSET-RH -----	1	
	1211738-1	GUSSET-LH -----	1	
-12	1211739-1	GUSSET-LH -----	1	
-13	1211739-2	GUSSET-RH -----	1	
-14	1211440-5	GUSSET -----	2	
-15	1211712-2	BRACKET-RH -----	1	
	1211712-1	BRACKET-LH -----	1	
		ATTACHING PARTS		
	AN4-5A	BOLT -----	6	
	NAS679A4	NUT -----	6	
	AN960-416	WASHER -----	6	
		---*---		
-16	1211714-1	BRACKET-LH -----	1	
	1211714-2	BRACKET-RH -----	1	
-17	1211733-1	BULKHEAD-CANTED -----	1	
	NAS697A08K	NUTPLATE -----	1	
-18	1211436-11	CHANNEL -----	1	
-19	1211436-9	CHANNEL LH -----	1	
-20	1211436-10	CHANNEL RH -----	1	
-21	1211734-1	BULKHEAD LH -----	1	
	1211734-2	BULKHEAD RH -----	1	

CONTINUED ON NEXT PAGE

Fuselage (Cont)

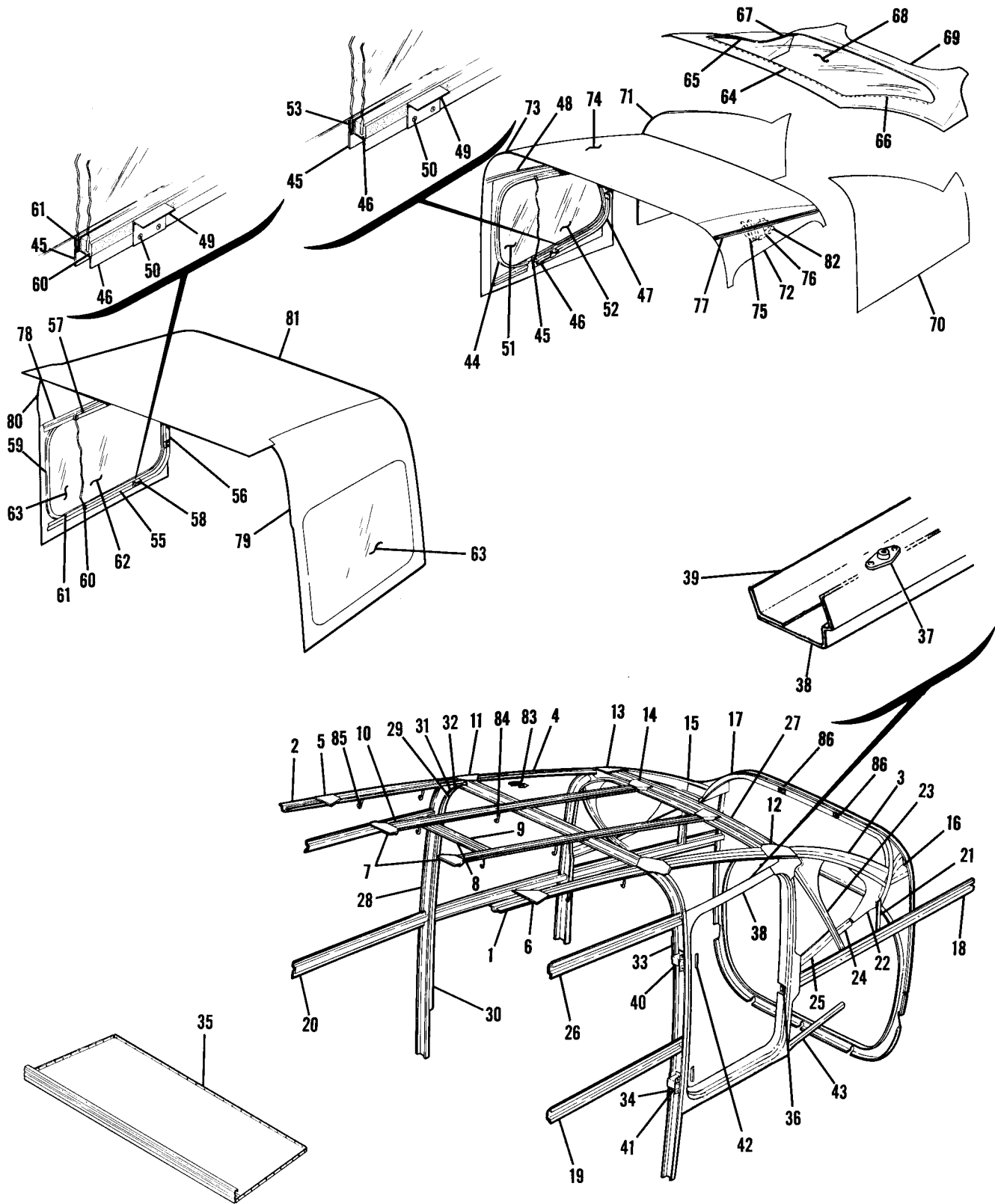


Figure 24. Upper Aft Cabin Components

FIGURE AND INDEX NO.	PART NUMBER	DESCRIPTION	UNITS PER ASSY	USABLE ON CODE
		1 2 3 4 5 6 7		
24 -22	1211713-1	GUSSET LH -----	1	
	1211713-2	GUSSET RH -----	1	
-23	1211735-1	STIFFENER LH -----	1	
	1211735-2	STIFFENER RH -----	1	
-24	1211737-1	STIFFENER LH -----	1	
	1211737-2	STIFFENER RH -----	1	
-25	1211736-1	STIFFENER LH -----	1	
	1211736-2	STIFFENER RH -----	1	
-26	1211751-1	STIFFENER LH -----	1	
	1211751-2	STIFFENER RH -----	1	
-27	1211710-1	BULKHEAD ASSEMBLY STA. 112.00 -----	1	
	1211710-2	BULKHEAD ASSEMBLY-UPPER RH -----	1	
	1211710-3	BULKHEAD ASSEMBLY-UPPER LH -----	1	
	1211710-4	BULKHEAD ASSEMBLY-UPPER CENTER -----	1	
	1211710-9	SPLICE PLATE -----	2	
	1211710-11	SPACER -----	1	
	1211710-12	SPLICE PLATE -----	2	
-28	1211744-1	BULKHEAD ASSEMBLY STA. 90.00 -----	1	
	1211744-2	BULKHEAD-CENTER -----	1	
	NAS697A3	NUTPLATE -----	3	
	1211744-3	BULKHEAD-LH -----	1	
	1211744-4	BULKHEAD-RH -----	1	
-29	1211744-5	ANGLE-CENTER -----	1	
-30	1211744-14	ANGLE-RH -----	1	
-31	1211744-12	GUSSET RH -----	1	
	1211744-13	GUSSET LH -----	1	
-32	0511176	CLIP -----	6	
-33	1211744-9	DOUBLER-HINGE UPPER -----	1	
-34	1211744-10	DOUBLER-HINGE LOWER -----	1	
	1211744-11	BRACKET-UPHOLSTERY -----	3	
	1211744-6	CLIP -----	2	
-35	1211426-1	SHELF ASSEMBLY-BAGGAGE -----	1	
	NAS697A3	NUTPLATE -----	2	
-36	0311319-1	PLATE-DOOR STRIKER -----	1	
	0311319-2	SHIM -----	1	
	AN515-8R6	ATTACHING PARTS		
		SCREW -----	2	
		---*---		
-37	NAS680A3	NUT -----	1	
-38	1211070-7	SILL-BAGGAGE DOOR -----	1	
-39	1211067-1	SUPPORT-HEADLINER -----	1	
-40	1211065-1	HINGE BRACKET-UPPER -----	1	
-41	1211065-2	HINGE BRACKET-LOWER -----	1	
-42	S1441-2	SEAL 3.0 IN LG BULK ITEM REF S1441-2-3.0 -----	2	
-43	1211070-5	SUPPORT-FLOORBOARD -----	1	
-44	1211061-5	CHANNEL ASSEMBLY -----	1	
	1211061-28	CHANNEL RH -----	1	
	1211061-32	RETAINER -----	1	
	1211061-37	RETAINER -----	2	
	1211061-6	CHANNEL ASSEMBLY -----	1	
-45	1211061-25	CHANNEL RH -----	1	
-46	1211061-29	RETAINER -----	1	
-47	1211061-7	CHANNEL ASSEMBLY -----	1	
	1211061-26	CHANNEL RH -----	1	
	1211061-30	RETAINER -----	1	
	1211061-37	RETAINER -----	2	
-48	1211061-8	CHANNEL ASSEMBLY -----	1	
	1211061-27	CHANNEL RH -----	1	
	1211061-31	RETAINER -----	1	
-49	1211061-38	CLIP UPHOLSTERY -----	6	
		ATTACHING PARTS		
-50	S1021A4-6	SCREW -----	2	
		---*---		
-51	1211061-14	WINDOW-SIDE AFT -----	1	
-52	1211400-14	WINDOW -----	1	
-53	S1166-1	SEAL-WINDOW 56.00 IN LG BULK ITEM REF S1166-1-56.00 -----	1	
-54	1211061-52	SEAL-WINDOW INBOARD -----	1	
-55	1211061-10	CHANNEL ASSEMBLY RH -----	1	
	1211061-9	CHANNEL ASSEMBLY LH -----	1	
	1211061-34	RETAINER -----	1	

CONTINUED ON NEXT PAGE

FIGURE AND INDEX NO.	PART NUMBER	DESCRIPTION	UNITS PER ASSY	USABLE ON CODE
24 -56	1211061-12	CHANNEL ASSEMBLY RH -----	1	
	1211061-36	RETAINER -----	1	
	1211061-11	CHANNEL ASSEMBLY LH -----	1	
	1211061-33	RETAINER -----	1	
-57	1211061-14	CHANNEL ASSEMBLY RH -----	1	
	1211061-13	CHANNEL ASSEMBLY LH -----	1	
	1211061-34	RETAINER -----	1	
-58	1211061-38	CLIP-UPHOLSTERY -----	8	
-59	1211061-40	CHANNEL ASSEMBLY RH -----	1	
	1211061-39	CHANNEL ASSEMBLY LH -----	1	
	1211061-36	RETAINER -----	1	
-60	1211061-51	SEAL-WINDOW INBOARD -----	1	
-61	S1166-1	SEAL-WINDOW 64.00 IN LG BULK ITEM REF S1166-1-64.00	1	
-62	1211061-56	WINDOW INBOARD RH -----	1	
	1211061-57	WINDOW INBOARD LH -----	1	
-63	1211400-16	WINDOW OUTBOARD -----	1	
-64	1211752-1	RETAINER-REAR WINDOW -----	1	
-65	1211752-2	RETAINER-REAR WINDOW-RH -----	1	
-66	1211752-3	RETAINER-REAR WINDOW-LH -----	1	
-67	1211752-4	RETAINER-REAR WINDOW -----	1	
-68	1211752-17	WINDOW-REAR -----	1	
	S1389-1 *	SEAL * IN LG BULK ITEM REF S1389-1-* -----	1	
-69	1211720-2	SKIN-UPPER -----	1	
-70	1211720-3	SKIN-LH -----	1	
-71	1211720-4	SKIN-RH -----	1	
-72	1211720-5	SKIN -----	1	
-73	1211720-6	SKIN -----	1	
-74	1211720-7	SKIN-AFT TOP -----	1	
-75	1211756-1	BRACKET HALF-LH -----	1	A
	1211755-1	BRACKET HALF-RH -----	1	A
-76	1211756-2	BRACKET HALF-LH -----	1	A
	1211755-2	BRACKET HALF-RH -----	1	A
-77	1211758-1	STRINGER LH -----	1	
	1211758-2	STRINGER RH -----	1	
-78	1211753-2	RETAINER ASSEMBLY -----	1	
-79	1211720-15	SKIN -----	1	
-80	1211720-16	SKIN -----	1	
-81	1211720-8	SKIN -----	1	A
	1211720-18	SKIN -----	1	B
-82	1210717-1	BRACKET-COURTESY LIGHT -----	1	
	1210717-2	BRACKET-COURTESY LIGHT -----	1	
-83	0411680	HANGER-HEADLINER STA. 98.94 -----	2	
	0512000-66	BRACKET ASSEMBLY -----	2	
		ATTACHING PARTS -----		
	S1021A4-8	SCREW -----	2	
		---*---		
-84	1200542-4	HANGER-HEADLINER STA 84.00 -----	4	
		ATTACHING PARTS -----		
	S1021A4-8	SCREW -----	1	
		---*---		
-85	1200542-3	HANGER-HEADLINER-OUTBOARD STA. 71.94 -----	2	
	1200542-6	HANGER-HEADLINER-INBOARD STA. 71.94 -----	2	
		ATTACHING PARTS -----		
	S1021A4-8	SCREW -----	2	
		---*---		
-86	1200553-1	SUPPORT-WINDOW MOULDING -----	2	

NOTE. *LENGTH TO BE ADDED LATER.

A---210 SERIAL 21058819 THRU 21059030
 T210 SERIAL T210-0168 THRU T210-0378
 B---210 SERIAL 21059031 & ON
 T210 SERIAL T210-0379 & ON



FIGURE AND INDEX NO.	PART NUMBER	DESCRIPTION							UNITS PER ASSY	USABLE ON CODE
		1	2	3	4	5	6	7		
25 -		FIREWALL INSTALLATION -----							NP	
	SEE FIG 26	FIREWALL GROMMETS INSTALLATION -----							1	
	1250876-24	FIREWALL ASSEMBLY-UPPER -----							1	C
	1250876-38	FIREWALL ASSEMBLY-UPPER -----							1	D
- 1	1250876-6	FIREWALL-UPPER -----							1	C
	1250876-35	FIREWALL-UPPER -----							1	D
- 2	1250876-26	REINFORCEMENT ASSEMBLY-UPPER -----							1	C
	1250876-34	REINFORCEMENT ASSEMBLY-UPPER -----							1	D
	NAS697A08	NUTPLATE -----							3	
	NAS697A3	NUTPLATE -----							2	
- 2A	126C210-1	BRACKET-AILERON INTERCONNECT -----							2	D
- 3	1253403-1	SUPPORT-BATTERY BOX FORWARD -----							1	
- 4	1253403-2	SUPPORT-BATTERY BOX FORWARD -----							1	
- 5	1253402-1	ANGLE SUPPORT ASSEMBLY -----							1	
	S1115-19	RECEPTACLE -----							1	
- 6	1253401-1	SUPPORT-BATTERY BOX AFT -----							2	
- 7	1253404-5	SIDE PANEL ASSEMBLY-BATTERY BOX OUTBOARD -----							1	
	S1115-19	RECEPTACLE -----							1	
- 8	1253404-6	SIDE PANEL ASSEMBLY-BATTERY BOX OUTBOARD -----							1	
- 9	1253405-1	BOX ASSEMBLY-BATTERY -----							1	
-10	1253412-1	TRAY-BATTERY BOX -----							1	
-11	1253429-1	SUPPORT ANGLE-BATTERY BOX -----							1	
-12	1253408-1	ANGLE STIFFENER FIREWALL -----							2	
-13	1253408-2	ANGLE STIFFENER FIREWALL -----							1	
-14	1253416-1	SUPPORT ANGLE-BATTERY BOX -----							1	

CONTINUED ON NEXT PAGE

Fuselage (Cont)

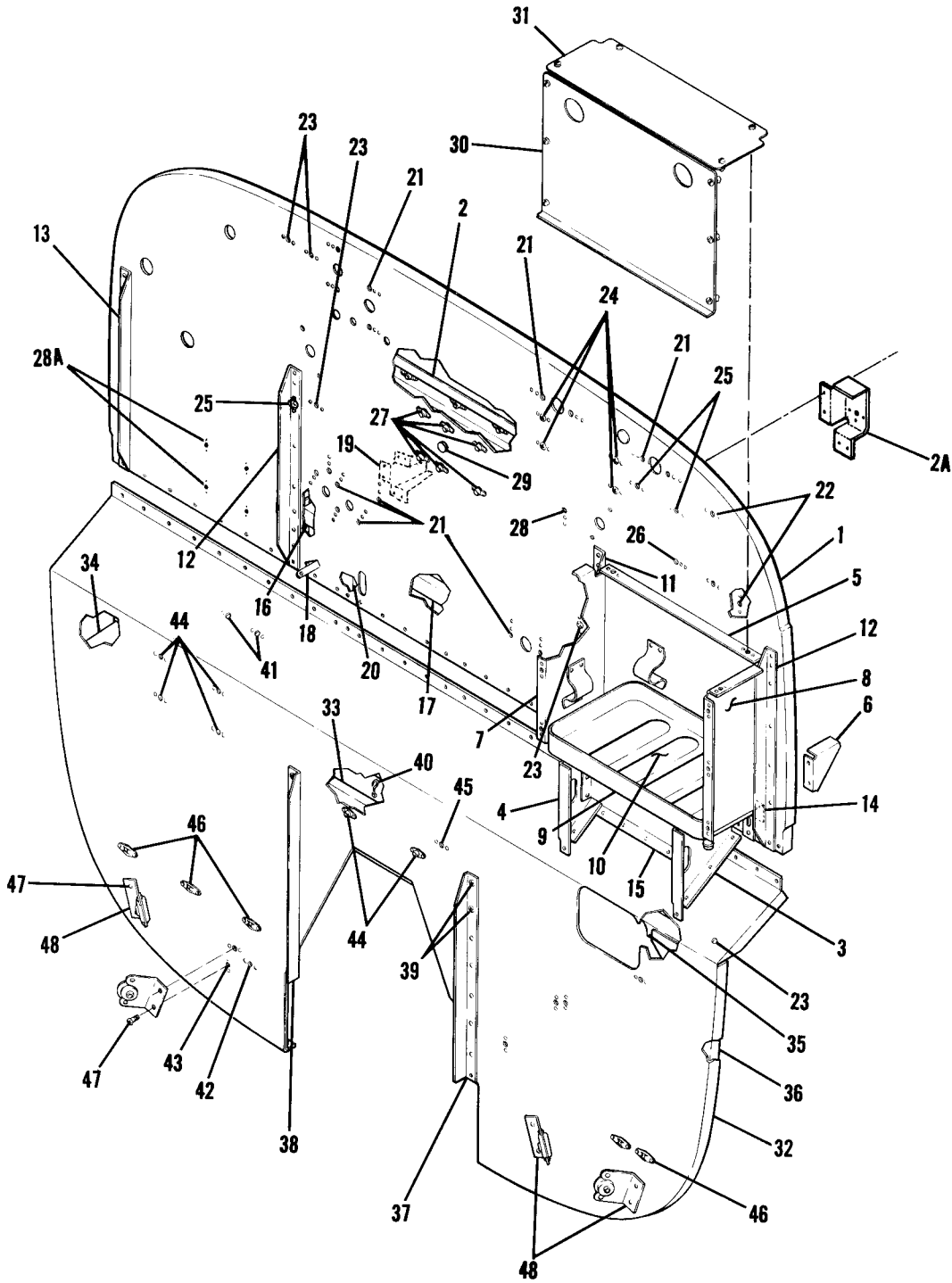
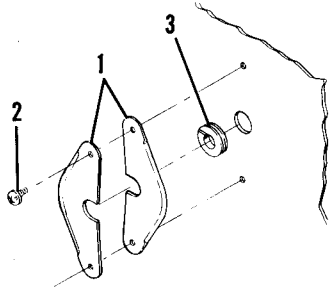


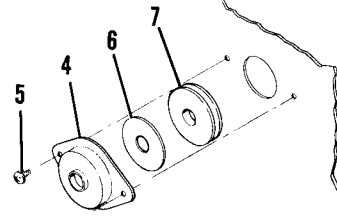
Figure 25. Firewall Installation

FIGURE AND INDEX NO.	PART NUMBER	DESCRIPTION	UNITS PER ASSY	USABLE ON CODE
		1 2 3 4 5 6 7		
25 -15	1253415-3	BRACKET ASSEMBLY -----	1	
-16	1253418-2	ANGLE-AILERON AND ELEVATOR CHANNEL RH -----	1	
	1253418-1	ANGLE-AILERON AND ELEVATOR CHANNEL LH -----	1	
-17	1253419-1	STIFFENER ELEVATOR BRACKET -----	1	
-18	1253425-2	SUPPORT-CONTROLS CLAMP -----	1	
-19	1253046-1	BRACKET -----	1	B
-20	1213615-2	BRACKET-COWL FLAP CONTROL -----	1	
-21	A6196-8Z3	NUTPLATE -----	14	
-22	NAS680A4K	NUTPLATE -----	2	
-23	NAS680A3K	NUTPLATE -----	5	
-24	NAS680A08K	NUTPLATE -----	4	
	NAS220-5	SCREW -----	4	
-25	NAS680A08K	NUTPLATE -----	4	
-26	NAS682A08K	NUTPLATE -----	1	
-27	NAS680A08	NUTPLATE -----	5	
	AN525-832R6	SCREW -----	6	
-28	NAS682A3K	NUTPLATE -----	1	
-28A	NAS697A08	NUTPLATE ATTACH CUAL WARNING UNIT -----	4	D
-29	CM2692-10-1S	PLUG BUTTON -----	1	
	1250422-1	GUARD-CABLE -----	1	
-30	1253428-1	COVER ASSEMBLY-BATTERY BOX-FRONT -----	1	
	0412167-1	CLIP -----	2	
	S1115-9	RING -----	6	
	S1115-10	STUD -----	6	
-31	1253428-3	COVER ASSEMBLY-BATTERY BOX-TOP -----	1	
	S1115-9	RING -----	4	
	S1115-10	STUD -----	4	
	1250876-8	FIREWALL ASSEMBLY-LOWER -----	1	
-32	1250876-11	FIREWALL-LOWER -----	1	
-33	1250876-16	SUPPORT-FIREWALL -----	1	
-34	1250876-19	GUSSET -----	2	
-35	1250876-20	ANGLE-SUPPORT -----	1	
-36	1253409-3	BULKHEAD-FIREWALL LH -----	1	
	1253409-4	BULKHEAD-FIREWALL RH -----	1	
-37	1253407-1	ANGLE-TUNNEL LH -----	1	
-38	1253407-2	ANGLE-TUNNEL RH -----	1	
		ATTACHING PARTS		
-39	NAS220-6	SCREW -----	2	
	NAS679A08	NUT LH -----	1	
	NAS679A08	NUT RH -----	2	
	NAS680A08K	NUTPLATE -----	1	
		---*---		
-40	1253026-1	CLIP-FIREWALL UPHOLSTERY -----	6	
-41	NAS680A04K	NUTPLATE -----	2	
	AN5COA4-4	SCREW -----	2	
-42	NAS680A08K	NUTPLATE -----	1	
	NAS220-5	SCREW -----	1	
-43	NAS680A08K	NUTPLATE -----	8	
-44	NAS680A3K	NUTPLATE -----	6	
	NAS221-6	SCREW -----	6	
-45	NAS680A3K	NUTPLATE -----	5	
-46	A6191-8Z3	NUTPLATE -----	5	
-47	NAS220-6	SCREW -----	8	
-48	1250258-1	SUPPORT ASSEMBLY-TAIL PIPE -----	4	A
	1COPDLT44-6	SHOCK MOUNT LO -----	4	
		A---210 SERIAL 21058819 & ON		
		B---210 SERIAL 21058937 & ON		
		T210 SERIAL T210-0308 & ON		
		C---210 SERIAL 21058819 THRU 21059061		
		T210 SERIAL T210-0198 THRU T210-0392		
		D---210 SERIAL 21059062 & ON		
		T210 SERIAL T210-0393 & ON		

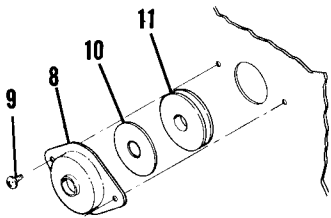
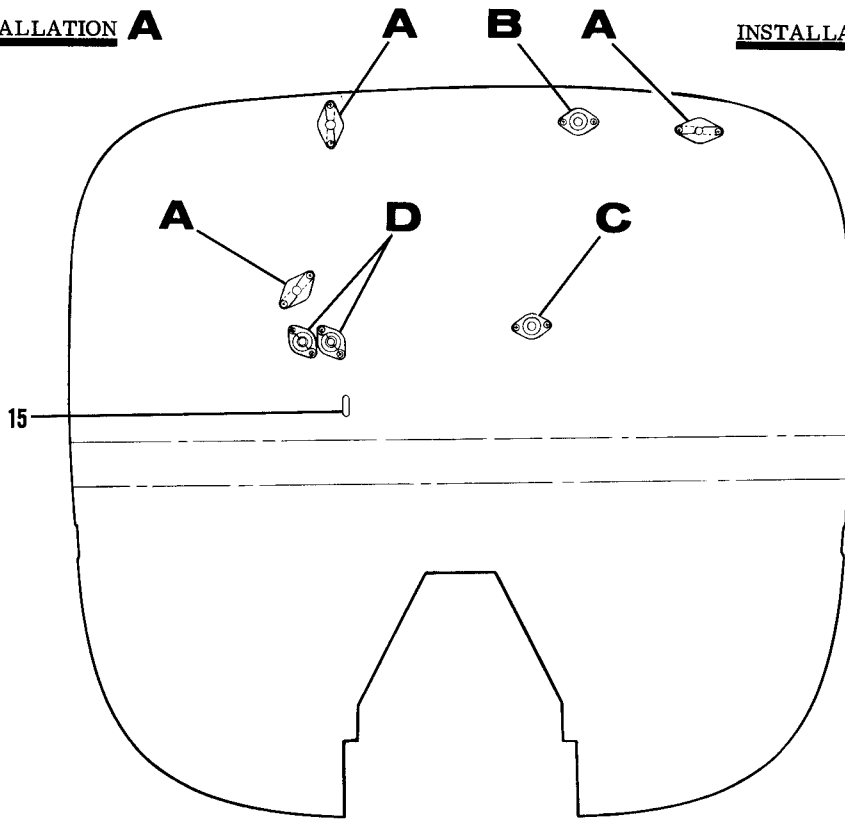
Fuselage (Cont)



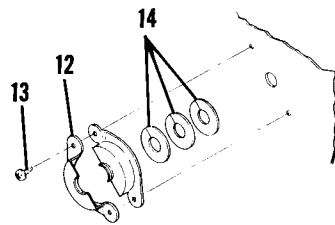
INSTALLATION A



INSTALLATION B



INSTALLATION C



INSTALLATION D

Figure 26. Firewall Grommets Installation

FIGURE AND INDEX NO.	PART NUMBER	DESCRIPTION	UNITS PER ASSY	USABLE ON CODE
		1 2 3 4 5 6 7		
26 -		FIREWALL GROMMETS INSTALLATION -----	NP	
- 1	S1095-3	INSTALLATION A -----	3	
		SHIELD-HALF -----	2	
- 2	S1021Z8-8	ATTACHING PARTS -----		
		SCREW -----	2	
		-----*		
- 3	NAS557-6A	GROMMET -----	1	
		INSTALLATION B -----	1	
- 4	S352	SHIELD -----	1	
		ATTACHING PARTS -----		
- 5	S1021Z8-8	SCREW -----	2	
		-----*		
- 6	S354-1	GROMMET -----	1	
- 7	MS35489-118	GROMMET -----	1	
		INSTALLATION C -----	1	
- 8	S352	SHIELD -----	1	
		ATTACHING PARTS -----		
- 9	S1021Z8-8	SCREW -----	2	
		-----*		
-10	S354-1	GROMMET -----	1	
-11	MS35489-115	GROMMET -----	1	
		INSTALLATION D -----	2	
-12	S353-6	SHIELD-HALF -----	2	
		ATTACHING PARTS -----		
-13	S1021Z8-8	SCREW -----	2	
		-----*		
-14	S354-1	GROMMET -----	3	
-15	NAS557-6A	GROMMET COWL FLAP CONTROL -----	2	

Fuselage (Cont)

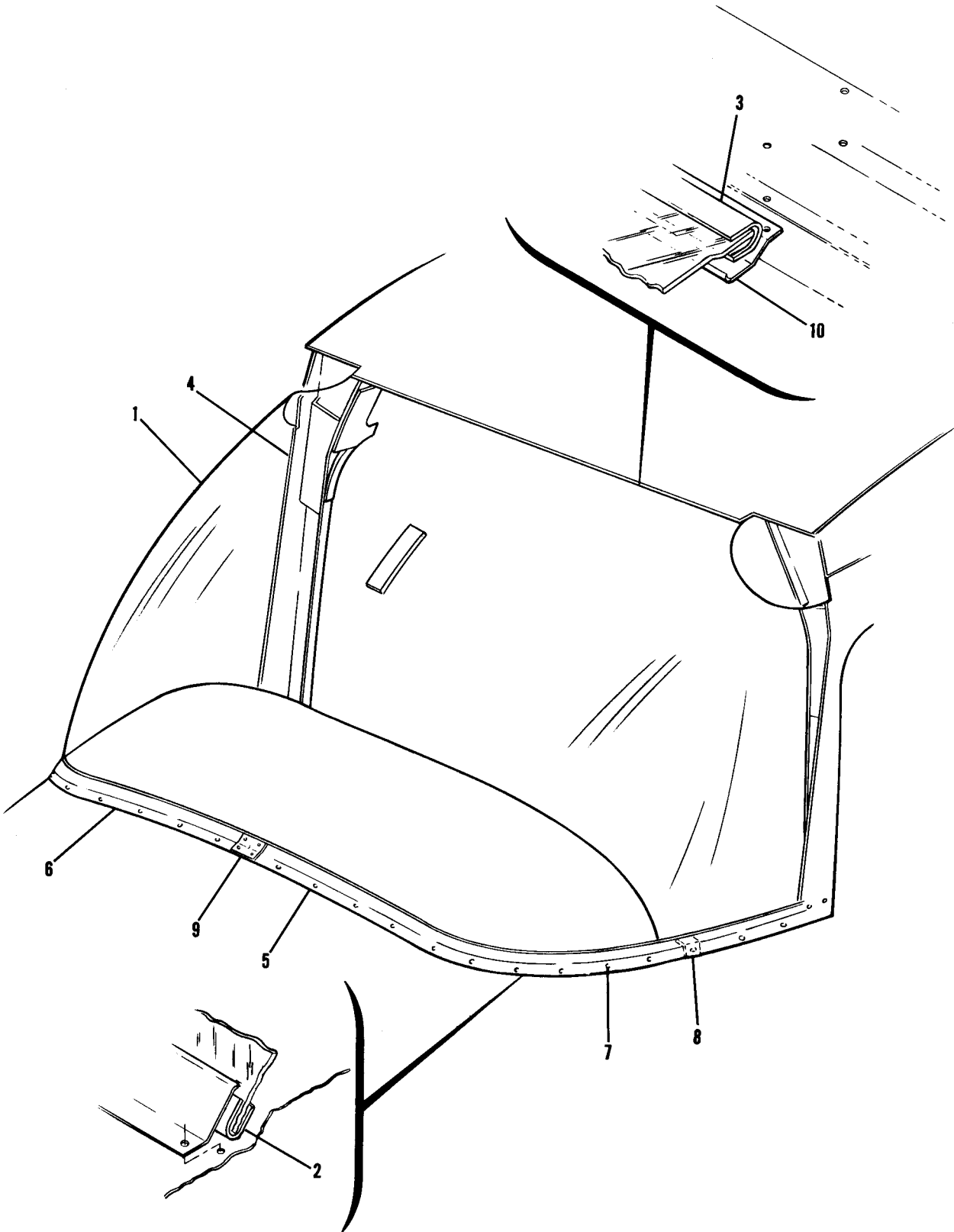


Figure 27. Windshield Installation

FIGURE AND INDEX NO.	PART NUMBER	DESCRIPTION	UNITS PER ASSY	USABLE ON CODE
27 -		1 2 3 4 5 6 7 WINDSHIELD INSTALLATION -----		
- 1	1213700-5	WINDSHIELD ASSEMBLY -----	NP	
	1213700-6	WINDSHIELD ASSEMBLY -----	1	A
- 2	S1389-2	WINDSHIELD ASSEMBLY -----	1	B
- 3	S1389-3	SEAL-FELT 115.0 IN LG BULK ITEM REF S1389-2-115 ---	1	
- 4	S1389-7	SEAL-FELT 29.2 IN LG BULK ITEM REF S1389-3-29.2 ---	1	
- 5	1213001-10	SEAL-FELT 18.0 IN LG BULK ITEM REF S1389-7-18.0 ---	2	
- 6	1213001-11	RETAINER HALF LH -----	1	
		RETAINER HALF RH -----	1	
		ATTACHING PARTS		
- 7	AN507-6R6	SCREW -----	34	
	NAS679A06	NUT -----	34	
		-----*-----		
- 8	1213600-8	CLIP -----	2	
- 9	1213001-15	TAB-RETAINER -----	1	
- 10	1213711-1	STRIP-RETAINER -----	1	
		 A---210 SERIAL 21058819 THRU 21058936. T210 SERIAL T210-0198 THRU T210-0304 B---210 SERIAL 21058937 & ON T210 SERIAL T210-0305 & ON		

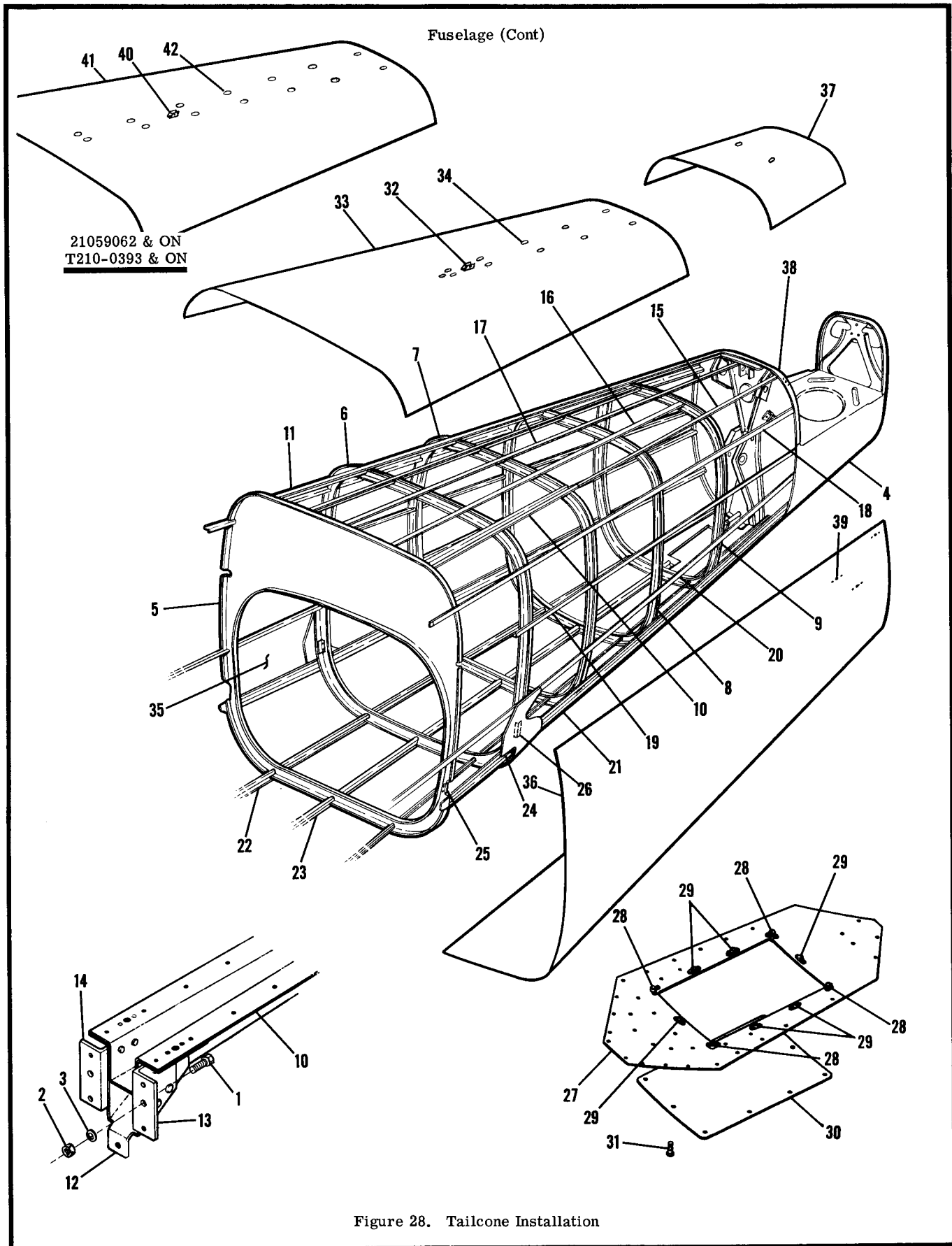


FIGURE AND INDEX NO.	PART NUMBER	DESCRIPTION	UNITS PER ASSY	USABLE ON CODE
		1 2 3 4 5 6 7		
28 -	SEE FIG 30	TAILCONE INSTALLATION -----	NP	
	1212700-1	STINGER INSTALLATION -----	1	
	1212700-6	TAILCONE ASSEMBLY -----	1	A
		TAILCONE ASSEMBLY -----	1	B
		ATTACHING PARTS -----		
- 1	AN3-5A	BOLT -----	6	
- 2	NAS679A3	NUT -----	6	
- 3	AN960-10	WASHER -----	6	
		-----*		
- 4	SEE FIG 29	AFT TAILCONE ASSEMBLY -----	1	
	1212411-8	BULKHEAD ASSEMBLY STA. 138.00 -----	1	
- 5	1212411-7	BULKHEAD -----	1	
	S1154-1	BRACKET -----	2	
	NAS680A3	NUTPLATE -----	2	
- 6	1212412-11	BULKHEAD ASSEMBLY STA. 152.20 -----	1	
	1212412-2	FRAME-TOP -----	1	
	1212412-9	FRAME-LH -----	1	
	1212412-10	FRAME-RH -----	1	
	S1154-1	BRACKET -----	2	
- 7	1212413-7	BULKHEAD ASSEMBLY STA. 166.40 -----	1	
	1212413-2	FRAME-TOP -----	1	
	1212413-5	FRAME-LH -----	1	
	1212413-6	FRAME-RH -----	1	
	S1154-1	BRACKET -----	2	
- 8	1212414-8	BULKHEAD ASSEMBLY STA. 180.60 -----	1	
	1212414-2	FRAME-TOP -----	1	
	1212414-7	FRAME-LH -----	1	
	1212414-6	FRAME-RH -----	1	
	S1154-1	BRACKET -----	2	
- 9	1212415-7	BULKHEAD ASSEMBLY STA. 194.80 -----	1	
	1212415-5	FRAME LH -----	1	
	1212415-6	FRAME RH -----	1	
	1212415-2	FRAME TOP -----	1	
-10	1211431-5	STRINGER ASSEMBLY LH STA. 138.00 TO 166.40 -----	1	
-11	1211431-6	STRINGER ASSEMBLY RH STA. 138.00 TO 166.40 -----	1	
-12	1211431-3	BRACKET LH -----	1	
	1211431-4	BRACKET RH -----	1	
-13	1211431-17	ANGLE LH -----	1	
	1211431-18	ANGLE RH -----	1	
-14	1211431-19	ANGLE LH -----	1	
	1211431-20	ANGLE RH -----	1	
-15	1212416-3	STRINGER LH STA. 166.40 TO 209.00 -----	1	
	1212416-4	STRINGER RH STA. 166.40 TO 209.00 -----	1	
-16	1212416-1	STRINGER LH STA. 138.00 TO 194.80 -----	1	
	1212416-2	STRINGER RH STA. 138.00 TO 194.80 -----	1	
-17	1212416-13	STRINGER STA. 138.00 TO 209.00 -----	1	
-18	1212416-22	STRINGER LH -----	1	
	1212416-23	STRINGER RH -----	1	
-19	1212416-7	STRINGER LH STA. 146.20 TO 209.00 -----	1	
	1212416-8	STRINGER RH STA. 146.20 TO 209.00 -----	1	
-20	1212416-9	STRINGER LH STA. 124.00 TO 209.00 -----	1	
	1212416-10	STRINGER RH STA. 124.00 TO 209.00 -----	1	
-21	1212809-5	STRINGER LH STA. 138.00 TO 209.00 -----	1	
	1212809-4	STRINGER RH STA. 138.00 TO 209.00 -----	1	
-22	1212809-1	STRINGER LH STA. 138.00 TO 209.00 -----	1	
	1212809-2	STRINGER RH STA. 138.00 TO 209.00 -----	1	
-23	1212809-3	STRINGER STA. 138.00 TO 194.80 -----	1	
-24	1212807-1	GUSSET LH -----	1	
	1212807-2	GUSSET RH -----	1	
-25	1211401-1	ANGLE ONE EACH SIDE -----	2	
-26	1211401-3	ANGLE ONE EACH SIDE -----	2	
-27	1212420-3	DOUBLER ASSEMBLY -----	1	
-28	NAS698A08	NUTPLATE -----	4	
-29	NAS697A08	NUTPLATE -----	6	

CONTINUED ON NEXT PAGE

FIGURE AND INDEX NO.	PART NUMBER	DESCRIPTION	UNITS PER ASSY	USABLE ON CODE
28 -30	1212421-1	DOOR -----	1	
		ATTACHING PARTS		
-31	AN515-8R6	SCREW -----	10	
		---*---		
-32	1212419-1	CHANNEL ASSEMBLY -----	1	A
	NAS686A08	NUTPLATE -----	2	
-33	1212700-2	SKIN-TOP -----	1	A
-34	NAS697A08K	NUTPLATE -----	13	A
-35	1212700-3	SKIN-LH -----	1	
-36	1212700-4	SKIN-RH -----	1	
-37	1212700-5	SKIN-TOP AFT -----	1	
-38	A6194-8Z3	NUTPLATE -----	4	
-39	A6195-8Z3	NUTPLATE -----	8	
-40	1231052-1	BRACKET ASSEMBLY -----	1	B
	NAS686A08	NUTPLATE -----	1	B
-41	1212700-7	SKIN-TOP -----	1	B
-42	NAS697A08K	NUTPLATE -----	14	B
<p>A---210 SERIAL 21058819 THRU 21059061 T210 SERIAL T210-0198 THRU T210-0392</p> <p>B---210 SERIAL 21059062 & ON T210 SERIAL T210-0393 & ON</p>				

This page intentionally left blank.

Fuselage (Cont)

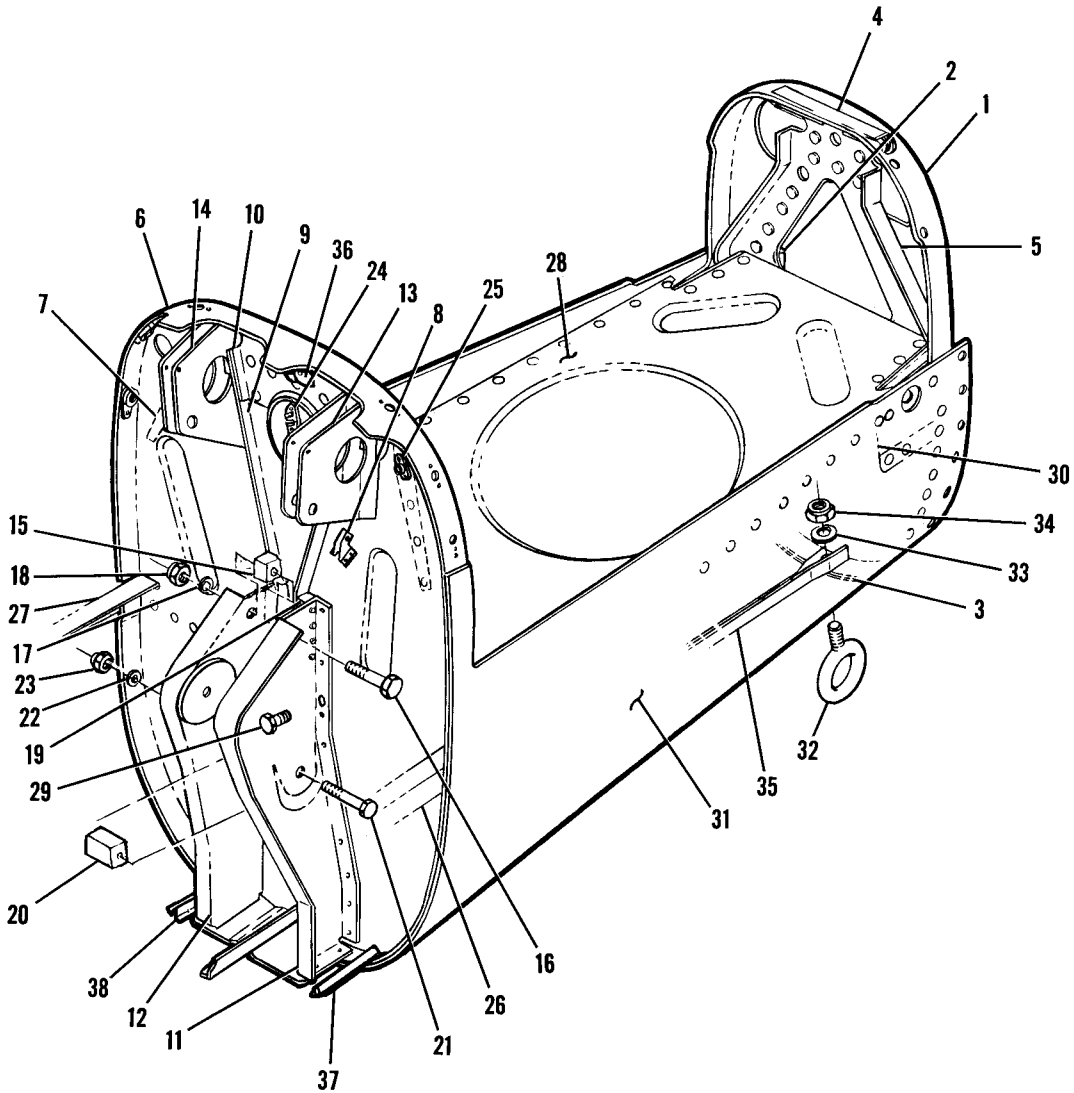


Figure 29. Aft Tailcone Assembly

FIGURE AND INDEX NO.	PART NUMBER	DESCRIPTION	UNITS PER ASSY	USABLE ON CODE
		1 2 3 4 5 6 7		
29 -	1212401-3	AFT TAILCONE ASSEMBLY -----	1	A
	1212401-6	AFT TAILCONE ASSEMBLY -----	1	B
	1212409-5	BULKHEAD ASSEMBLY-TAILCONE STA. 230.187 -----	1	
- 1	1212409-4	BULKHEAD-TAILCONE STA. 230.187 -----	1	
- 2	1212409-3	STIFFENER -----	1	
- 3	0712616-3	REINFORCEMENT -----	1	
- 4	0712616-5	STIFFENER -----	1	
- 5	1212410-1	STIFFENER -----	1	
	NAS696A3	NUT -----	2	
	1212402-4	BULKHEAD ASSEMBLY-TAILCONE STA. 209.00 -----	1	A
	1212402-5	BULKHEAD ASSEMBLY-TAILCONE STA. 209.00 -----	1	B
- 6	1212402-3	BULKHEAD-TAILCONE STA. 209.00 -----	1	
- 7	1212003-1	DOUBLER -----	1	
- 8	1260088-1	BRACKET-TRIM TAB PULLEY -----	1	
- 9	1212403-1	DOUBLER -----	1	
-10	1212402-2	DOUBLER -----	1	
-11	1212424-5	BRACKET ASSEMBLY-ELEVATOR BELLCRANK REAR LH -----	1	A
	1212424-7	BRACKET ASSEMBLY-ELEVATOR BELLCRANK REAR LH -----	1	B
-12	1212424-2	BRACKET ASSEMBLY-ELEVATOR BELLCRANK REAR RH -----	1	
-13	0760621-1	BRACKET-PULLEY LH -----	1	
-14	0760621-2	BRACKET-PULLEY RH -----	1	
		ATTACHING PARTS		
	AN3-3A	BOLT -----	2	
	NAS679A3	NUT -----	2	
		---*---		
-15	1260089-1	STOP-ELEVATOR UPPER -----	1	
		ATTACHING PARTS		
-16	AN4-16A	BOLT -----	1	
-17	AN960-416	WASHER -----	1	
-18	NAS679A4	NUT -----	1	
		---*---		
-19	1260085-1	SPACER -----	1	
-20	1260089-2	STOP-ELEVATOR LOWER -----	1	
		ATTACHING PARTS		
-21	AN4-17A	BOLT -----	1	
-22	AN960-416	WASHER -----	1	
-23	NAS679A4	NUT -----	1	
		---*---		
-24	A6191-6Z3	NUTPLATE -----	1	
-25	NAS697A4	NUTPLATE -----	2	
-26	1212407-1	ANGLE-REINFORCEMENT LH -----	1	
-27	1212407-2	ANGLE-REINFORCEMENT RH -----	1	
-28	1212408-6	BULKHEAD ASSEMBLY-HORIZONTAL TAIL -----	1	
		ATTACHING PARTS		
-29	AN3-5A	BOLT -----	2	
	AN960-10	WASHER -----	2	
		---*---		
	1212408-3	STIFFENER ASSEMBLY -----	1	
	NAS680A3K	NUTPLATE -----	2	
-30	0712629-3	BRACKET LH -----	1	
	0712629-4	BRACKET RH -----	1	
-31	1212401-7	SKIN -----	1	
-32	0422344	EYE BOLT -----	1	
		ATTACHING PARTS		
-33	AN960-516L	WASHER -----	1	
-34	NAS679A5	NUT -----	1	
		---*---		
-35	1212406-1	STRINGER -----	1	
-36	1260084-1	BRACKET ASSEMBLY -----	1	A
	1260215-1	BRACKET ASSEMBLY -----	1	B
	NAS684A4	NUTPLATE -----	1	
-37	1212818-1	STRINGER -----	1	
-38	1212818-2	STRINGER -----	1	
		A---210 SERIAL 21058819 THRU 21059061 T210 SERIAL T210-0198 THRU T210-0392 B---210 SERIAL 21059062 & ON T210 SERIAL T210-0393 & ON		

Fuselage (Cont)

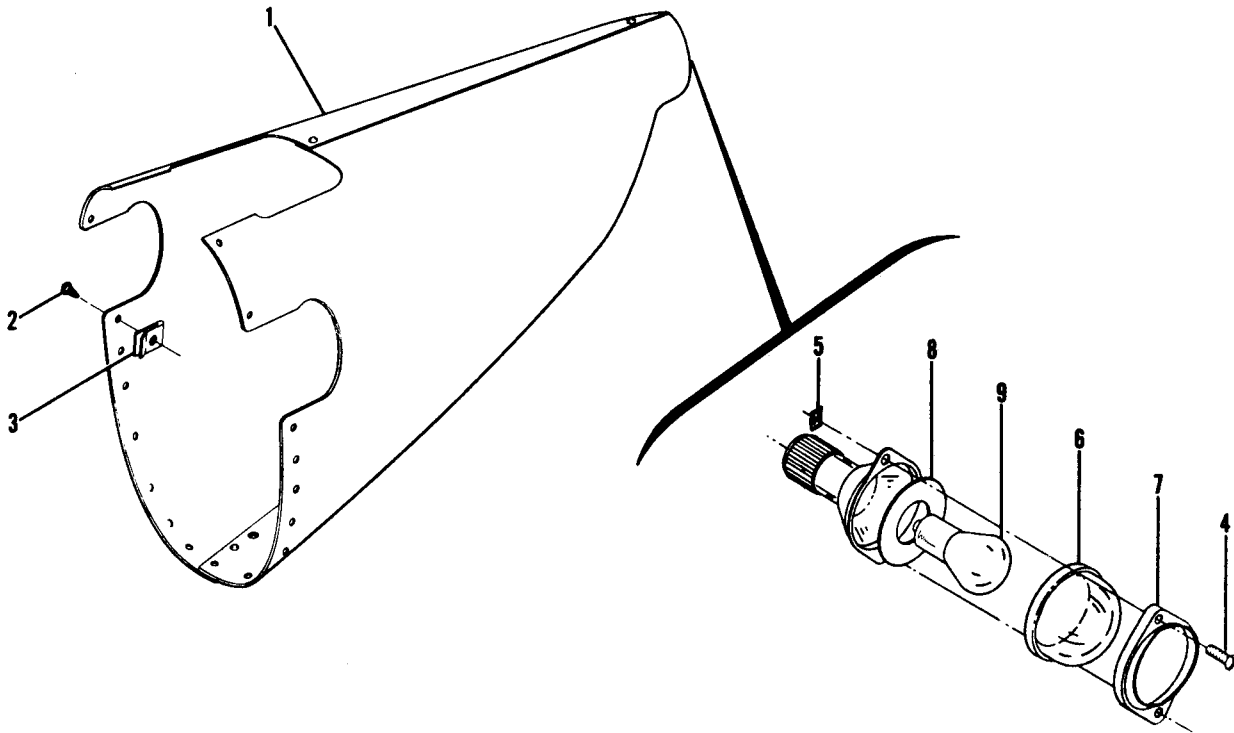


Figure 30. Stinger Installation

FIGURE AND INDEX NO.	PART NUMBER	DESCRIPTION	UNITS PER ASSY	USABLE ON CODE
30 -		1 2 3 4 5 6 7		
- 1	1212423-1 1212010-3-791	STINGER INSTALLATION ----- STINGER ASSEMBLY WHEN EXHAUSTED USE 1212010-3-791 ----- STINGER ASSEMBLY ----- ATTACHING PARTS -----	NP 1 1	A B
- 2	S102128-8	SCREW -----	15	
- 3	NAS395-14-3	NUT -----	15	
	0433006-7 C622001-0102	*----- LIGHT ASSEMBLY-TAIL WHEN EXHAUSTED USE C622001-0102 ---- LIGHT ASSEMBLY-TAIL ----- ATTACHING PARTS -----	1 1	A B
- 4	S102126R8	SCREW -----	2	A
	AN530-6R10	SCREW -----	2	B
- 5	NAS395-6-3	NUT -----	2	A
	NAS448-5-3	NUT -----	2	B
- 6	A4513-1	*----- LENS-CLEAR GMC -----	1	
- 7	C622001-0104	RETAINER-LENS -----	1	
- 8	A2109-3	GASKET GMC -----	1	
- 9	1777	LAMP BULB GMC -----	1	
		A---210 SERIAL 21058819 THRU 21058945 T210 SERIAL T210-0198 THRU T210-0315 B---210 SERIAL 21058946 & ON T210 SERIAL T210-0316 & ON		

This page intentionally left blank.

Nose Gear

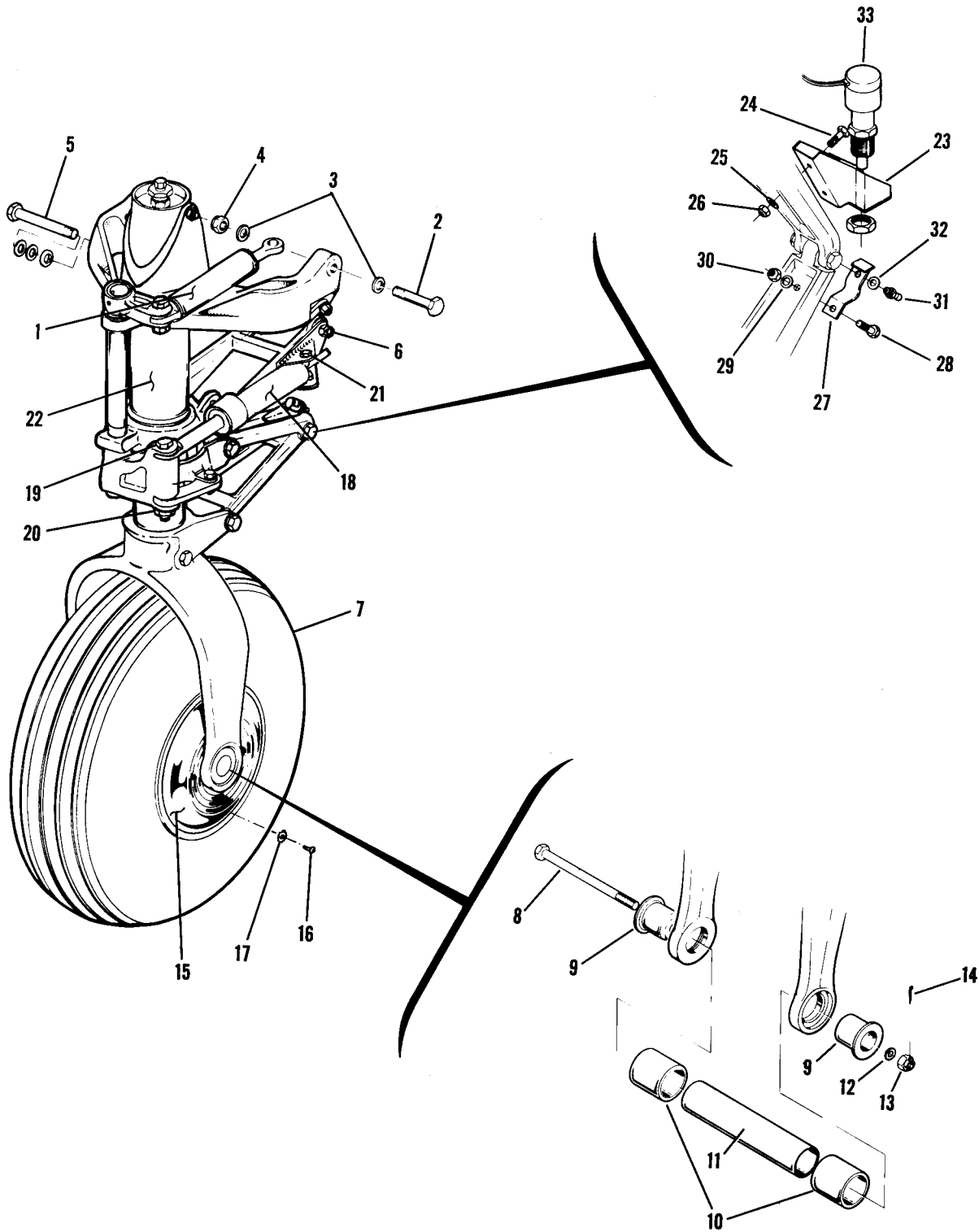


Figure 31. Nose Gear Installation



FIGURE AND INDEX NO.	PART NUMBER	DESCRIPTION	UNITS PER ASSY	USABLE ON CODE
31 -		NOSE GEAR INSTALLATION -----	NP	
- 1	SEE FIG 32	STEERING SYSTEM INSTALLATION -----	NP	
		NCSE GEAR ASSEMBLY -----	NP	
		ATTACHING PARTS -----		
- 2	AN176-21A	BOLT -----	2	
- 3	AN960-616L	WASHER -----	2	
- 4	NAS679A6	NUT -----	2	
- 5	NAS464P6-44	BOLT -----	1	
	AN960-616	WASHER -----	3	
	AN960-616L	WASHER -----	6	
- 6	NAS679A6	NUT -----	1	
	MS24665-285	PIN-COTTER -----	1	
		-----*		
- 7	SEE FIG 34	WHEEL ASSEMBLY NOSE GEAR -----	1	
		ATTACHING PARTS -----		
- 8	AN5-47	BOLT -----	1	
- 9	O543001	FERRULE-AXLE -----	2	
-10	O543037-1	SPACER-AXLE -----	2	
-11	O543003	TUBE-AXLE -----	1	
-12	AN960-516L	WASHER -----	1	
-13	AN310-5	NUT -----	1	
-14	MS24665-136	PIN-COTTER -----	1	
		-----*		
-15	C743627-2	HUB CAP-NOSE WHEEL -----	1	A
	C743627-4	HUB CAP-NOSE WHEEL -----	1	B
	C743627-1	HUB CAP-NOSE WHEEL ON VALVE SIDE ONLY -----	1	A
	C743627-3	HUB CAP-NOSE WHEEL ON VALVE SIDE ONLY -----	1	B
		ATTACHING PARTS -----		
-16	AN515-8R4	SCREW -----	3	
-17	AN936B8	WASHER -----	3	
		-----*		
-18	SEE FIG 35	SHIMMY DAMPENER ASSEMBLY -----	1	
		ATTACHING PARTS -----		
-19	NAS464P3A32C	BOLT -----	1	
	AN960-10L	WASHER -----	2	
	AN960-10	WASHER -----	1	
-20	NAS679A3	NUT -----	2	
-21	AN4H5A	BOLT -----	2	
	NAS76A4-006	BUSHING -----	2	
	AN960-616L	WASHER -----	2	
		-----*		
-22	SEE FIG 33	SHOCK STRUT ASSEMBLY -----	1	
-23	1243019-2	BRACKET-SQUAT SWITCH -----	1	
		ATTACHING PARTS -----		
-24	AN3-4A	BOLT -----	2	
-25	AN960-10L	WASHER -----	2	
-26	NAS679A3	NUT -----	2	
		-----*		
-27	1243020-1	BRACKET-SWITCH STRIKER -----	1	C
	1243039-1	STRIKER ARM ASSEMBLY-GEAR LIMIT SWITCH -----	1	D
		ATTACHING PARTS -----		
-28	AN3-4A	BOLT -----	1	
-29	AN960-10L	WASHER -----	1	
-30	NAS679A3	NUT -----	1	
		-----*		
-31	1652B	FITTING-LUBE AL -----	1	C
	S1867-1	FITTING-LUBE -----	1	D
-32	AN936A416	WASHER-LOCK -----	1	
-33	127C034-1	SWITCH -----	1	
	127C034-4	SWITCH ALT -----	1	
		A---210 SERIAL 21058819 THRU 21058936 T210 SERIAL T210-0198 THRU T210-0307		
		B---210 SERIAL 21058937 & ON T210 SERIAL T210-0308 & ON		
		C---210 SERIAL 21058819 THRU 21059061 T210 SERIAL T210-0198 THRU T210-0392		
		D---210 SERIAL 21059062 & ON T210 SERIAL T210-0393 & ON		

FIGURE AND INDEX NO.	PART NUMBER	DESCRIPTION	UNITS PER ASSY	USABLE ON CODE
		1 2 3 4 5 6 7		
32 -		NOSE GEAR STEERING SYSTEM INSTALLATION -----	NP	
- 1	1243420-1	BOOT-STEERING LINK ROD ----- ATTACHING PARTS	2	
- 2	1243419-1	RETAINER-STEERING BOOT -----	1	
- 3	AN515-8R6	SCREW -----	4	
- 4	AN960-8L	WASHER -----	4	
- 5	NAS397-12	CLAMP ----- *-----	1	
- 6	1243412-1	LINK ROD ASSEMBLY-LH -----	1	
- 7	1243412-2	LINK ROD ASSEMBLY-RH ----- ATTACHING PARTS	1	
- 8	NAS464P3A7	BOLT -----	1	
- 9	NAS464P3A9	BOLT -----	1	
-10	AN960-10L	WASHER -----	2	
-11	NAS679A3	NUT ----- *-----	2	
-12	1243411-1	WHIFFLETREE ASSEMBLY ----- ATTACHING PARTS	1	
-13	NAS464P420	BOLT -----	1	
-14	AN960-416L	WASHER -----	1	
-15	NAS679A4	NUT ----- *-----	1	
-16	1243406-1	BUNGEE ASSEMBLY-NOSE GEAR STEERING ----- ATTACHING PARTS	1	
-17	NAS464P4A16	BOLT -----	1	
	AN916-416L	WASHER -----	1	
	NAS679A4	NUT -----	1	
-18	NAS464P3A10	BOLT -----	1	
	AN960-10L	WASHER -----	1	
	NAS679A3	NUT ----- *-----	1	
-19	REF4TH8	ROD END HLF8 -----	1	
-20	AN316-4R	NUT-CHECK -----	1	

Nose Gear (Cont)

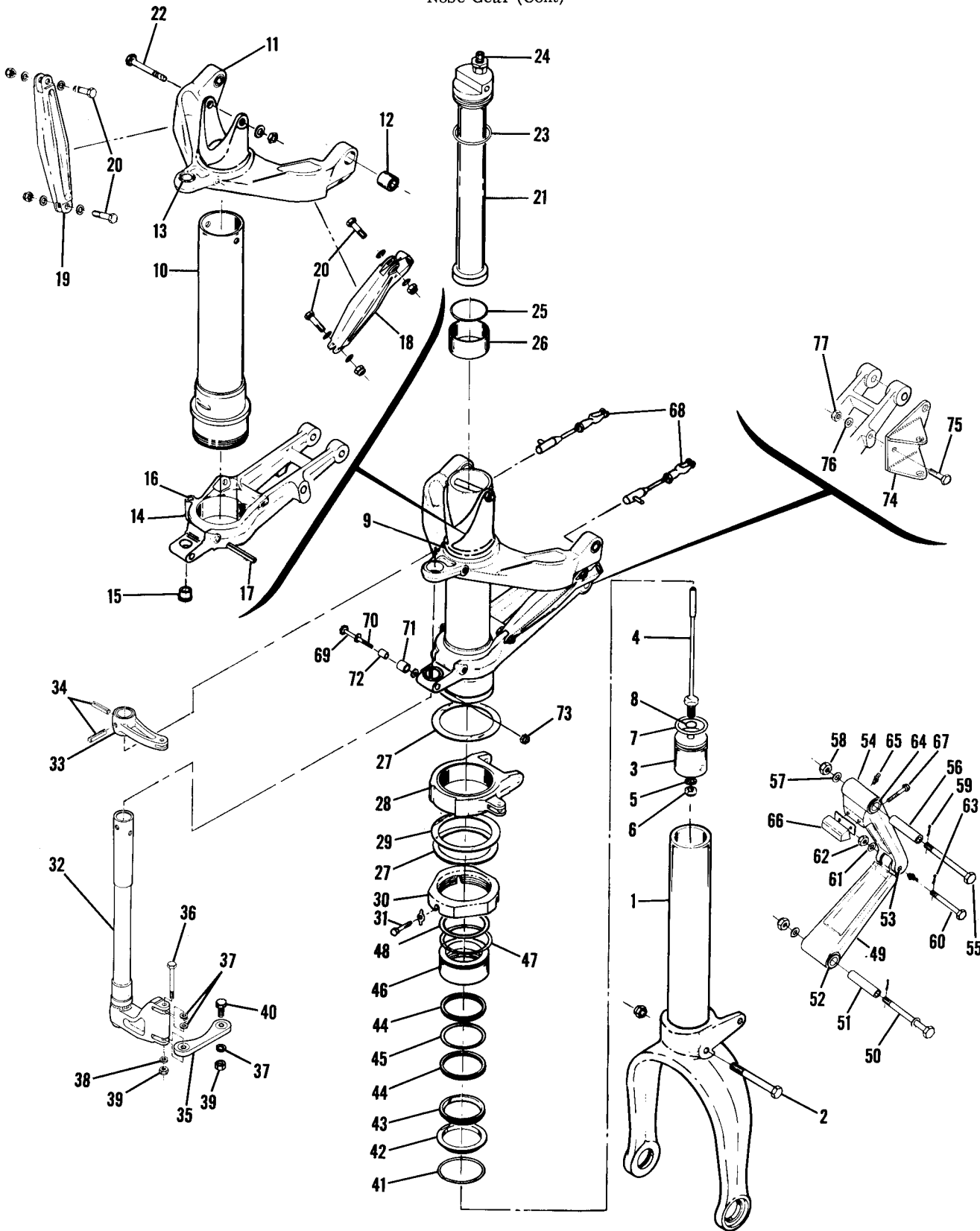


Figure 33. Nose Gear Shock Strut Assembly



FIGURE AND INDEX NO.	PART NUMBER	DESCRIPTION	UNITS PER ASSY	USABLE ON CODE
33 -	1243400-205	NOSE GEAR SHOCK STRUT ASSEMBLY -----	1	A
- 1	1243009-200	NOSE GEAR SHOCK STRUT ASSEMBLY -----	1	B
	1243400-202	PISTON & FORK ASSEMBLY-NOSE GEAR -----	1	A
	1243009-201	PISTON & FORK ASSEMBLY-NOSE GEAR -----	1	B
- 2	SK210-40	FORK-NOSE GEAR REPLACEMENT KIT -----	1	
	AN5-33A	BOLT -----	1	
	AN960-516L	WASHER -----	1	
	NAS679A5	NUT -----	1	
- 3	0841200-7	PLUG-PIN BASE -----	1	
- 4	0841200-21	PIN-METERING -----	1	A
	1243034-1	PIN-METERING -----	1	B
		ATTACHING PARTS		
- 5	AN960-416L	WASHER -----	1	
- 6	NAS679A4	NUT -----	1	
		---*---		
- 7	AN6227B26	O RING -----	1	
- 8	AN6227H5	O RING -----	1	
- 9	1243400-13	TRUNNION & BARREL ASSEMBLY-NOSE GEAR -----	1	A
	1243009-2	TRUNNION & BARREL ASSEMBLY-NOSE GEAR -----	1	B
-10		BARREL ASSEMBLY -----	NP	
-11		TRUNNION ASSEMBLY-UPPER -----	NP	
-12	BRA 6	BEARING TOR -----	2	
-13	S1004-46A	BEARING -----	1	
-14		TRUNNION ASSEMBLY-LOWER -----	NP	
-15	S1004-45A	BEARING -----	1	
-16	7-1028-1	PIN-DOWEL DMS -----	1	
-17	NAS561P8-32	PIN-SPRING -----	1	
-18	1243008-3	BRACE-LH -----	1	
-19	1243008-4	BRACE-RH -----	1	
		ATTACHING PARTS		
-20	NAS464P4A10	BOLT -----	2	
	AN960-416L	WASHER -----	2	
	NAS679A4	NUT -----	2	
		---*---		
-21	1243400-4	SUPPORT ASSEMBLY-PISTON ORIFICE -----	1	A
	1243009-4	SUPPORT ASSEMBLY-PISTON ORIFICE -----	1	B
		ATTACHING PARTS		
-22	AN5-32A	BOLT -----	1	
	AN960-516L	WASHER -----	1	
	NAS679A5	NUT -----	1	
		---*---		
-23	AN6230B3	O-RING -----	1	
-24	0543036-1	VALVE ASSEMBLY -----	1	A
	MS28889-1	VALVE ASSEMBLY ALTERNATE -----	1	B
	S1827-1	VALVE ASSEMBLY -----	1	
-25	0841200-19	LOCK RING -----	1	
-26	0841200-18	BEARING WHEN EXHAUSTED USE 1243021-1 -----	1	
	1243021-1	BEARING -----	1	
-27	0543029	WASHER -----	2	
-28	1243404-1	COLLAR ASSEMBLY -----	1	
-29	1243030-5	SHIM .006 IN. THICK STAINLESS STEEL -----	AR	
	1243030-6	SHIM .012 IN. THICK STAINLESS STEEL -----	AR	
	1243030-7	SHIM .020 IN. THICK STAINLESS STEEL -----	AR	
-30	1243617-1	COLLAR -----	1	
		ATTACHING PARTS		
-31	AN3H3A	BOLT -----	1	
	1243619-1	WASHER -----	1	
		---*---		
-32	1243625-5	SHAFT ASSEMBLY-NOSE GEAR STEERING -----	1	
-33		ARM-STEERING-ORDER COMPLETE ASSEMBLY -----	NP	
		ATTACHING PARTS		
-34	NAS561P7-16	PIN-SPRING -----	2	
		---*---		
-35	1243018-1	LINK-STEERING -----	1	
		ATTACHING PARTS		
-36	NAS464-3A32	BOLT -----	1	
-37	AN960-10L	WASHER 2 FORWARD-1 AFT -----	2	
-38	AN960-10	WASHER -----	1	
-39	NAS679A3	NUT -----	1	
-40	NAS464P3A9	BOLT -----	1	
		---*---		

CONTINUED ON NEXT PAGE

FIGURE AND INDEX NO.	PART NUMBER	DESCRIPTION	UNITS PER ASSY	USABLE ON CODE
33 -41	0841200-25	RING-LOCK -----	1	
-42	0841200-15	RING-PACK RETAINER -----	1	
-43	S11065-20	RING-SCRAPER -----	1	A
	S11065-21	RING-SCRAPER -----	1	B
-44	S1628-329	RING-BACK UP -----	2	
-45	AN6227B32	O RING -----	1	
-46	1243626-1	RING-PACK SUPPORT -----	1	
-47	0841200-31	SHIM -----	AR	
-48	AN6230B6	O RING -----	1	
-49	C543035-7	LINK ASSEMBLY-TORQUE LOWER ----- ATTACHING PARTS	1	
-50	AN4-31A	BOLT -----	1	
-51	0543047-1	SPACER -----	1	
	AN960-416L	WASHER -----	AR	
	AN310-4	NUT -----	1	
	MS24665-134	PIN-COTTER -----	1	
		-----*		
-52	NAS77-6-88	BUSHING -----	1	
-53	NAS77-3-23	BUSHING -----	1	
	AN944-101A	FITTING-LUBE -----	1	
-54	1243426-1	LINK ASSEMBLY-TORQUE UPPER -----	1	A
	1243426-2	LINK ASSEMBLY-TORQUE UPPER ----- ATTACHING PARTS	1	B
-55	AN4-31A	BOLT -----	1	
-56	C543047-1	SPACER -----	2	
	C543048-1	SHIM -----	AR	
-57	AN960-416L	WASHER -----	1	
-58	AN310-4	NUT -----	1	
-59	MS24665-134	PIN-COTTER -----	1	
-60	NAS464P3-22	BOLT -----	1	
-61	AN960-10L	WASHER -----	1	
-62	AN310-3	NUT -----	1	
-63	MS24665-134	PIN-COTTER -----	1	
		-----*		
-64	NAS77-6-88	BUSHING -----	2	
-65	AN944-101A	FITTING-LUBE -----	1	
-66	1243618-1	LUG -----	1	A
	1243038-1	LUG -----	1	B
	1243618-2	SHIM -----	AR	
-67	1243422-1	BOLT -----	1	
-68	1243037-5	ROD ASSEMBLY -----	2	A
	1243031-1	RCC ASSEMBLY -----	2	B
-69	AN4-23A	BOLT -----	1	
-70	AN960-416L	WASHER -----	2	
-71	1243421-1	ROLLER -----	1	
-72	1243421-2	BUSHING -----	1	
-73	NAS679A4	NUT -----	1	
-74	1243425-1	BRACKET ASSEMBLY ----- ATTACHING PARTS	1	
-75	AN4-7A	BOLT -----	1	
-76	AN960-416L	WASHER -----	1	
-77	NAS697A4	NUT -----	1	
		-----*		
		A---210 SERIAL 21058819 THRU 21059061 T210 SERIAL T210-0198 THRU T210-0392		
		B---210 SERIAL 21059C62 & ON T210 SERIAL T210-0393 & ON		

This page intentionally left blank.

Nose Gear (Cont)

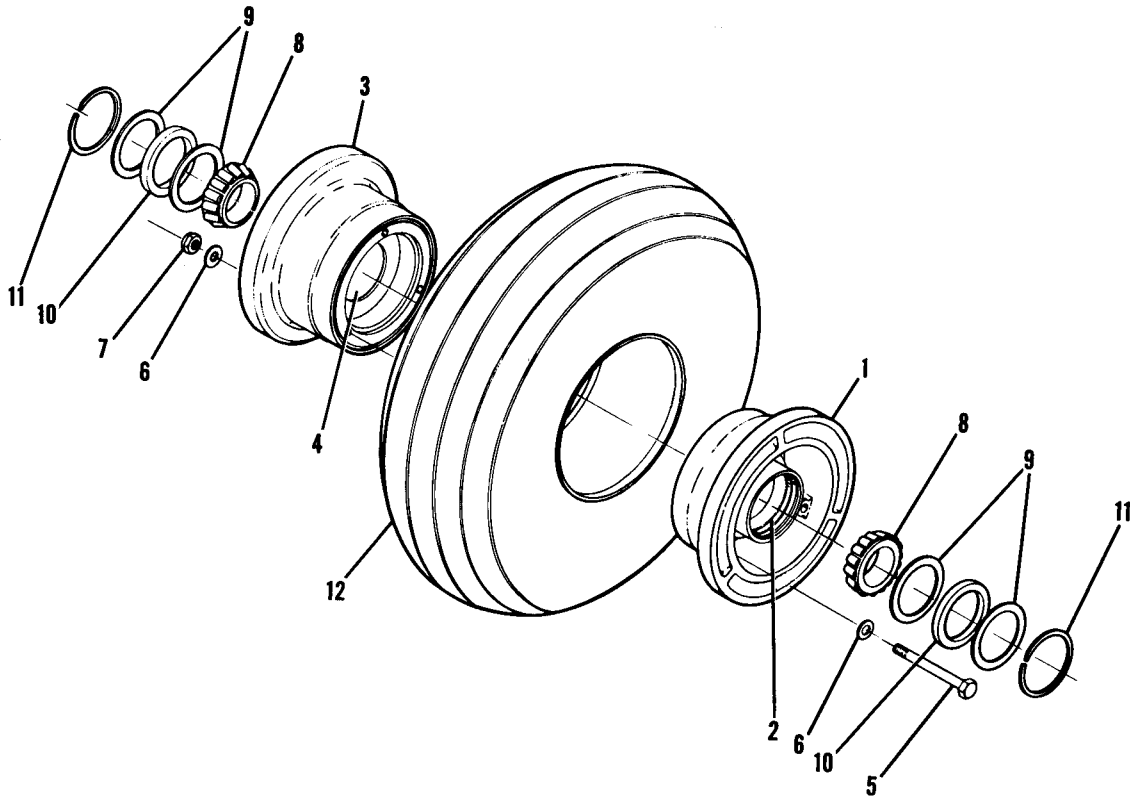


Figure 34. Nose Gear Wheel & Tire Assembly

FIGURE AND INDEX NO.	PART NUMBER	DESCRIPTION	UNITS PER ASSY	USABLE ON CODE
34 -	1241156-12	NOSE GEAR WHEEL AND TIRE ASSEMBLY -----	NP	
- 1	161-31	WHEEL ASSEMBLY-NOSE -----	1	
- 2	08231	INNER WHEEL HALF ASSEMBLY 5.00 X 5 CFP -----	1	
- 3	162-28	CUP-BEARING CFP -----	1	
- 4	08231	OUTER WHEEL HALF ASSEMBLY 5.00 X 5 CFP -----	1	
	217-1	CUP-BEARING CFP -----	1	
		GROMMET CFP -----	1	
- 5	AN4-22A	BOLT CFP -----	3	
- 6	AN960-416	WASHER CFP -----	6	
- 7	NAS679A4	NUT CFP -----	3	
- 8	08125	CONE-BEARING CFP -----	2	
- 9	153-8	RING-GREASE SEAL CFP -----	4	
-10	154-6	FELT-GREASE SEAL CFP -----	2	
-11	155-2	RING-SNAP CFP -----	2	
-12	C262003-0202	TIRE 5.00 X 5 6 PLY RATED -----	1	
	C262023-0101	TUBE 5.00 X 5 -----	1	

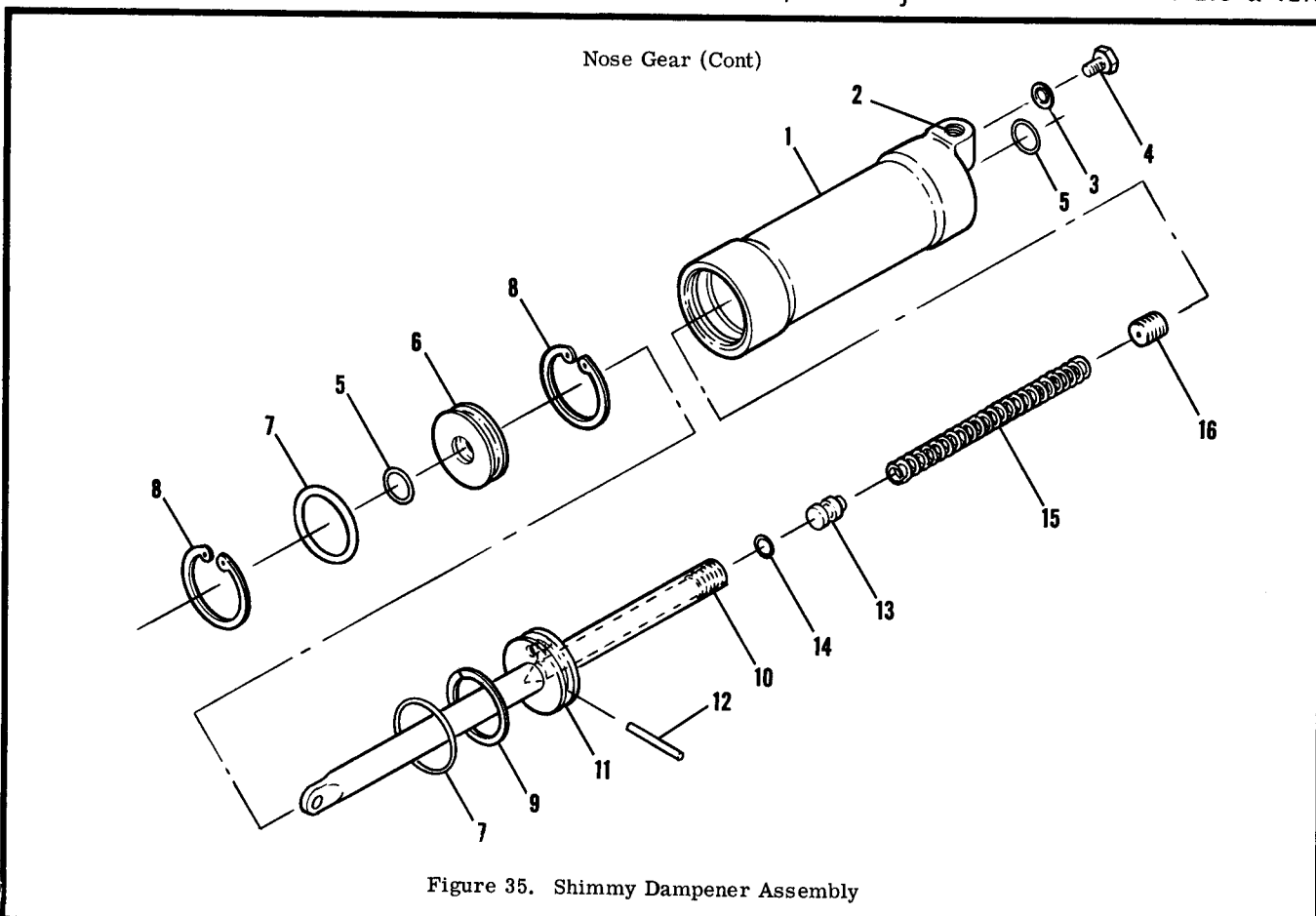


Figure 35. Shimmy Dampener Assembly

FIGURE AND INDEX NO.	PART NUMBER	DESCRIPTION	UNITS PER ASSY	USABLE ON CODE
35 -		1 2 3 4 5 6 7 SHIMMY DAMPENER ASSEMBLY -----	1	
- 1	0743624-2	BARREL ASSEMBLY-SHIMMY DAMPENER -----	1	
- 2	3591-4CN0500	INSERT HELI -----	2	
- 3	600-015-10-0S	STAT-O-SEAL PKSC -----	1	
- 4	NAS563-11	BOLT -----	1	
- 5	AN6227B10	O-RING -----	2	
- 6	1442113-2	HEAD -----	1	
- 7	AN6227B22	O-RING -----	2	
- 8	MS16625-143	RING-RETAINING-INTERNAL -----	2	
- 9	MS28782-22	RETAINER -----	1	
-10	0743623-8	ROD ASSEMBLY-SHIMMY DAMPENER -----	1	
-11	1442113-8	PISTON -----	1	
-12	NAS561P4-18	ATTACHING PARTS PIN-ROLL -----	1	
-13	0743623-4	PISTON-FLOATING -----	1	
-14	AN6227B3	O-RING -----	1	
-15	0743623-3	SPRING -----	1	
-16	0743623-6	SET SCREW -----	1	

Main Gear

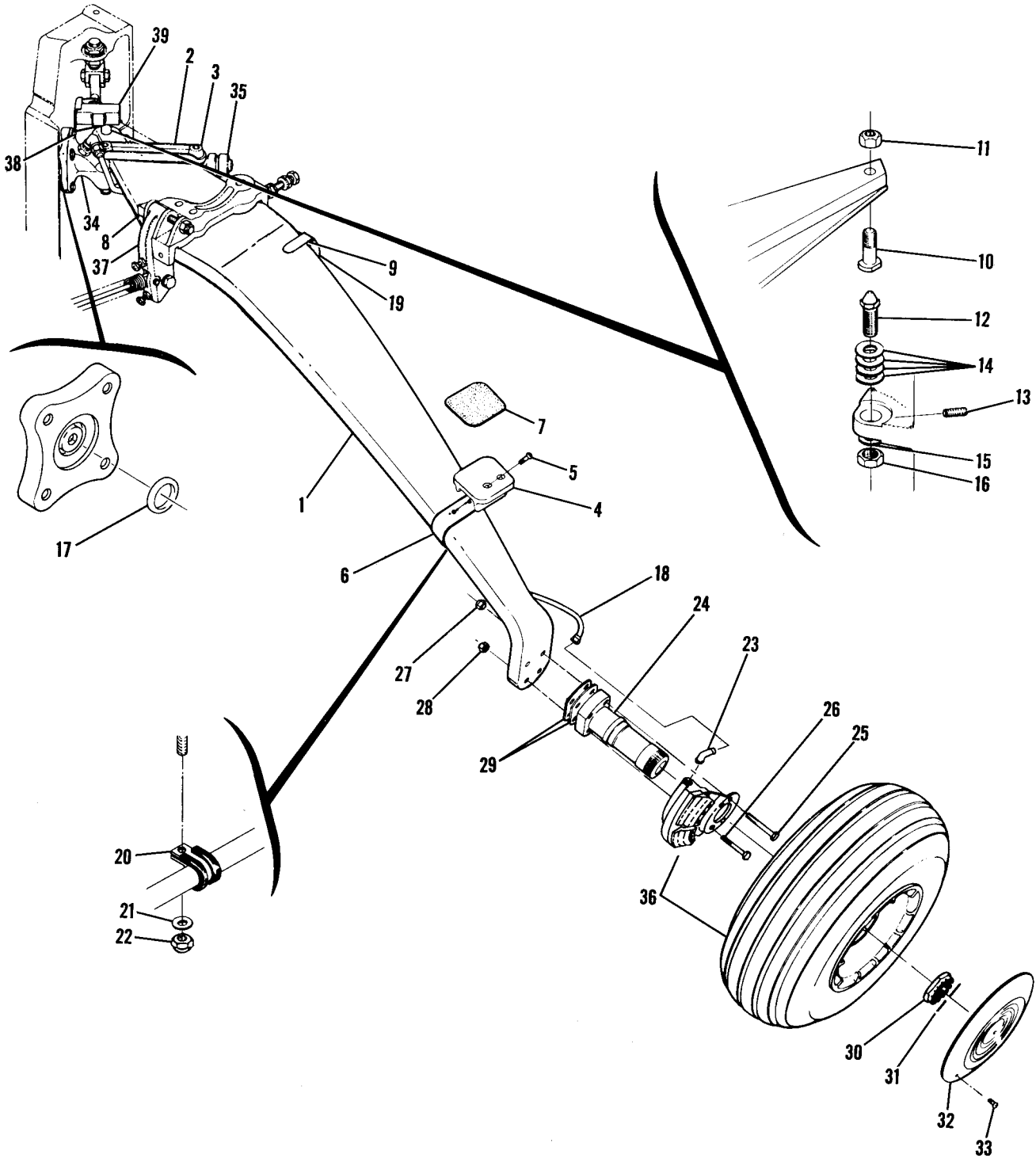


Figure 36. Main Landing Gear Installation

FIGURE AND INDEX NO.	PART NUMBER	DESCRIPTION	UNITS PER ASSY	USABLE ON CODE
		1 2 3 4 5 6 7		
36 -		MAIN LANDING GEAR INSTALLATION -----	NP	
- 1	1241401-201	SPRING ASSEMBLY-MAIN LANDING GEAR LH -----	1	
	1241401-200	SPRING ASSEMBLY-MAIN LANDING GEAR RH -----	1	
		ATTACHING PARTS		
- 2	1241425-1	CAP -----	1	
	1241425-2	CAP -----	1	
- 3	NAS146-39	BOLT -----	2	
	MS20002C6	WASHER -----	2	
	NAS679A6	NUT -----	2	
		---*---		
- 4	1241043-1	STEP-LH -----	1	
	1241043-2	STEP-RH -----	1	
		ATTACHING PARTS		
- 5	AN525-10R14	SCREW -----	2	
		---*---		
- 6	1241042-1	STRAP ASSEMBLY-LH -----	1	
	1241042-2	STRAP ASSEMBLY-RH -----	1	
- 7	1241048-1	TREAD-LH -----	1	
	1241048-2	TREAD-RH -----	1	
- 8	1241416-1	STOP-POSITION SWITCH LH -----	1	
	1241416-2	STOP-POSITION SWITCH RH -----	1	
- 9	1241035-1	CLIP-BRAKE LINE LH -----	1	
	1241035-2	CLIP-BRAKE LINE RH -----	1	
-10	1241407-1	BOLT-STOP -----	1	
-11	MS20364-720C	NUT -----	1	
-12	1241434-1	PIN -----	1	
-13	AN565D8H5	SET SCREW -----	2	
-14	1241418-1	SHIM .045 IN THICK -----	AR	
	1241418-2	SHIM .012 IN THICK -----	AR	
	1241418-3	SHIM .020 IN THICK -----	AR	
	1241418-4	SHIM .032 IN THICK -----	AR	
-15	AN960C616L	WASHER -----	1	
-16	NAS679A6	NUT -----	1	
-17	AN6227R12	G RING -----	1	
-18	1280506-99	LINE ASSEMBLY-BRAKE LH -----	1	
	1280506-100	LINE ASSEMBLY-BRAKE RH -----	1	
		ATTACHING PARTS		
-19	C441119	HOSE -----	1	
-20	MS21919DG4	CLAMP -----	1	
-21	AN960D10	WASHER -----	1	
-22	NAS679A3	NUT -----	1	
-23	AN833-4D	ELBOW -----	1	
		---*---		
-24	C541124-1	AXLE-MAIN LANDING GEAR -----	1	
		ATTACHING PARTS		
-25	AN5-22A	BOLT -----	2	
-26	AN6-23A	BOLT -----	2	
-27	NAS679A5	NUT -----	2	
-28	NAS679A6	NUT -----	2	
-29	C541157-1	SHIM -----	AR	
	C541157-2	SHIM -----	AR	
	C441139-5	SHIM -----	AR	
	C441139-6	SHIM -----	AR	
	1241061-1	SHIM -----	AR	
		---*---		

CONTINUED ON NEXT PAGE

FIGURE AND INDEX NO.	PART NUMBER	DESCRIPTION	UNITS PER ASSY	USABLE ON CODE
36 -30	S1117-24	NUT -----	1	
-31	MS24665-351	KEY -----	2	
-32	C741048-1	HUB CAP -----	1	A
	C741048-8	HUB CAP -----	1	
		ATTACHING PARTS		
-33	AN515-8R4	SCREW -----	3	
	AN936A8	WASHER -----	3	
		-----*		
-34	1241423-1	SADDLE ASSEMBLY-LH -----	1	
	1241423-2	SADDLE ASSEMBLY-RH -----	1	
-35	1241422-1	SPACER -----	1	
	LHSSV9	BEARING HEC -----	1	
	GC3-703-09	BEARING ALTERNATE MICS -----	1	
	C3-403-09	BEARING ALTERNATE MICS -----	1	
	BS18ATC35	BEARING ALTERNATE FAF -----	1	
-36	SEE FIG 37	WHEEL & BRAKE ASSEMBLY -----	2	
-37	SEE FIG 42	DOWNLOCK INSTALLATION-MAIN GEAR -----	NP	
-38	MKN1304-4H	BOLT KNM -----	4	
	AN960-416L	WASHER -----	4	
-39	1241416-3	BRACKET-POSITION SWITCH LH -----	1	
	1241416-4	BRACKET-POSITION SWITCH RH -----	1	
		A---210 SERIAL 21058819 THRU 21058936 T210 SERIAL T210-0198 THRU T210-0307		
		B---210 SERIAL 21058937 & ON T210 SERIAL T210-0308 & ON		

This page intentionally left blank.

Main Gear (Cont)

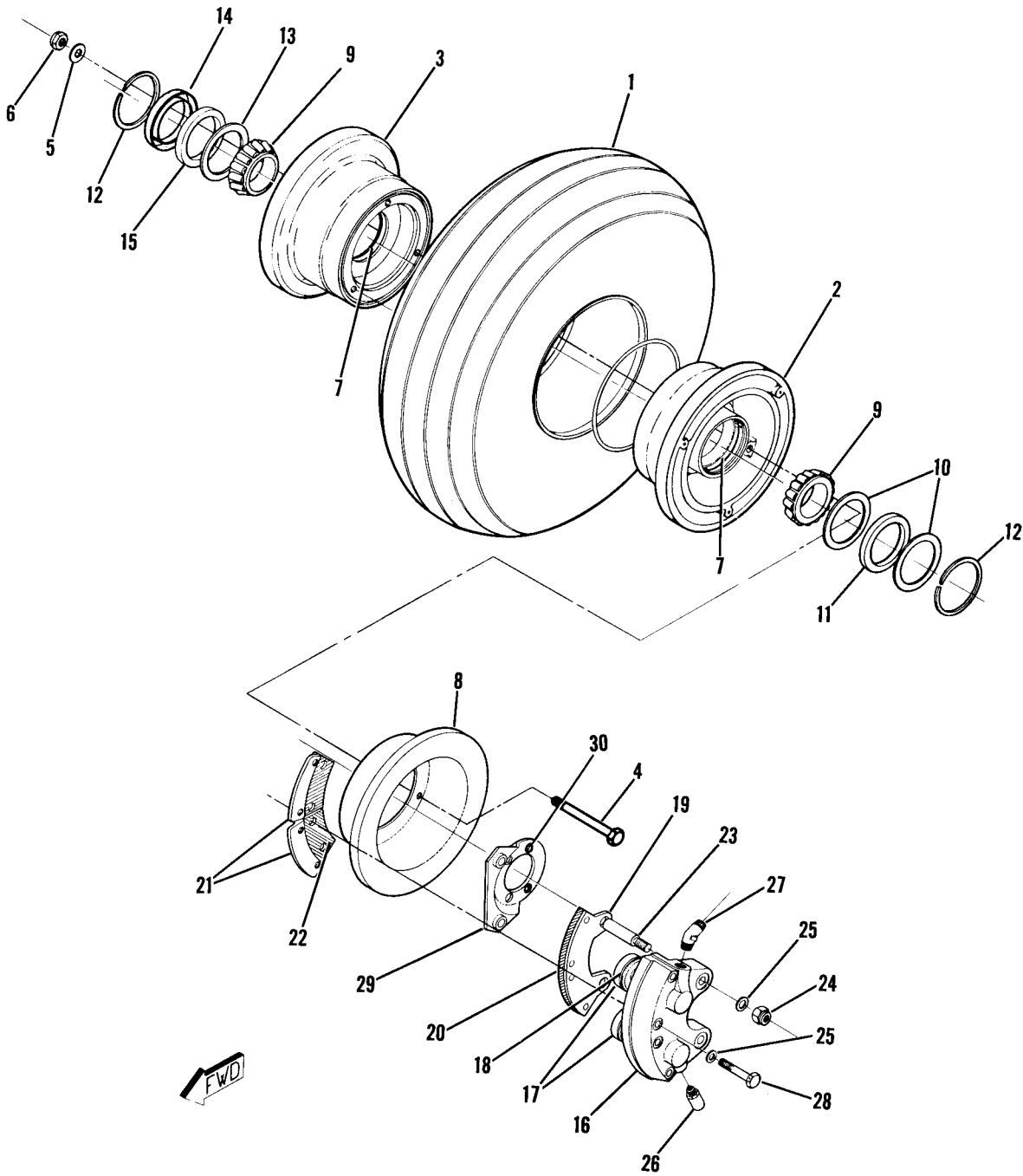
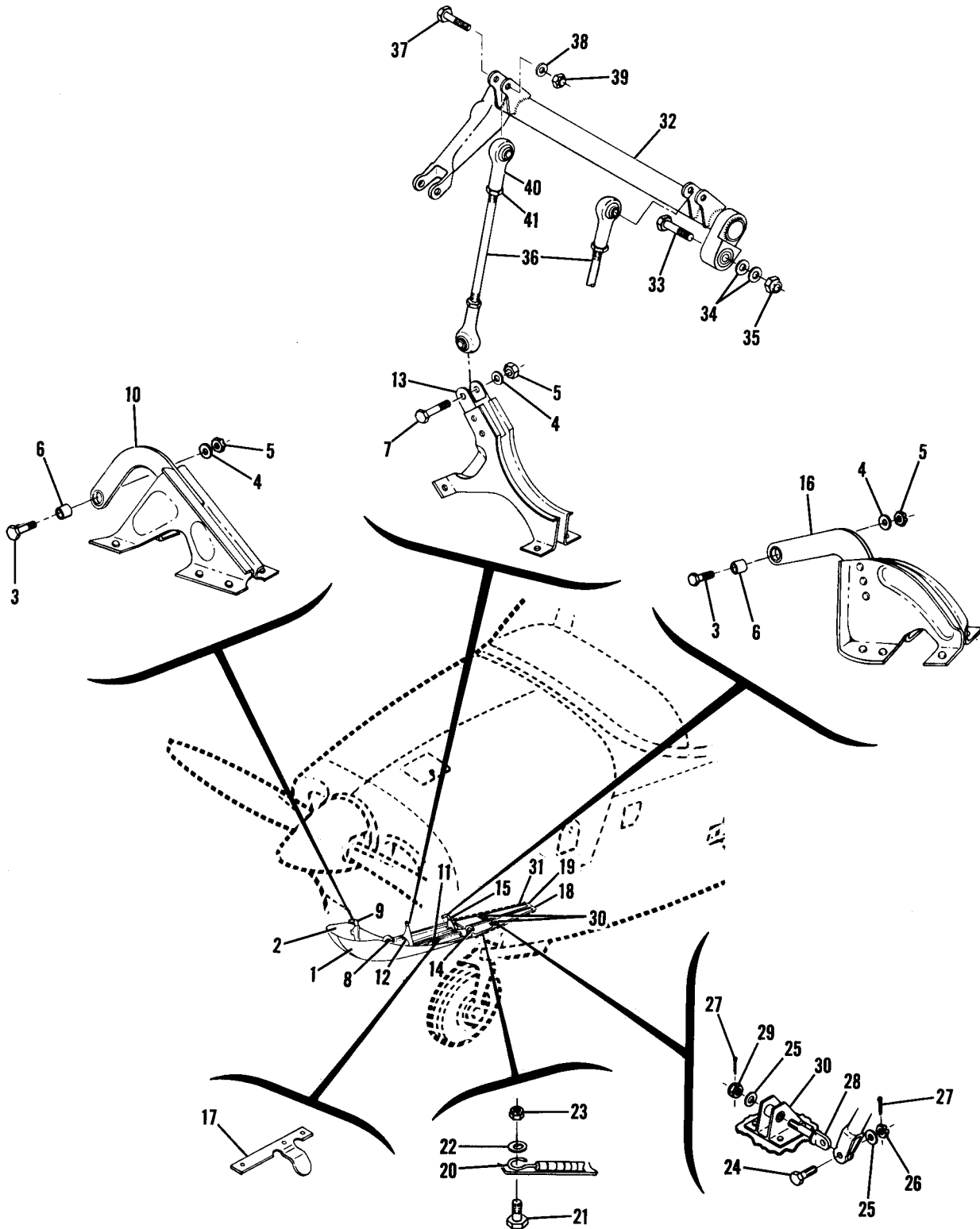


Figure 37. Main Landing Gear Wheel & Brake Installation



FIGURE AND INDEX NO.	PART NUMBER	DESCRIPTION	UNITS PER ASSY	USABLE ON CODE
		1 2 3 4 5 6 7		
37 -		MAIN LANDING GEAR WHEEL & BRAKE INSTALLATION -----	NP	
- 1	C262003-0204	TIRE 6.00X6 6 PLY RATED -----	1	
	C262003-0102	TUBE 6.00X6 -----	1	
	C163001-0301	WHEEL ASSEMBLY CFP40-75B -----	1	
- 2	161-30	WHEEL HALF ASSEMBLY-INNER CFP -----	1	
- 3	162-27	WHEEL HALF ASSEMBLY-OUTER CFP -----	1	
		ATTACHING PARTS		
- 4	AN5-35A	BOLT -----	3	
- 5	AN960-516	WASHER -----	3	
- 6	NAS679A5	NUT -----	3	
		---*---		
- 7	13836	CUP-BEARING CFP -----	1	
- 8	164-15A	BRAKE DISC ASSEMBLY CFP -----	1	
- 9	13889	CONE-BEARING CFP -----	2	
-10	3022	RING-GREASE SEAL CFP -----	2	
-11	3021	FELT-GREASE SEAL CFP -----	1	
-12	3023	RING-SNAP CFP -----	2	
-13	A39070	RING-GREASE SEAL CFP -----	1	
-14	153-15	RING-GREASE SEAL CFP -----	1	
-15	154-13	FELT-GREASE SEAL CFP -----	1	
	1241157-1	BRAKE ASSEMBLY CFP WHEN EXHAUSTED USE -----	1	A
		C163030-0303 & C163030-0304		
	C163030-0303	BRAKE ASSEMBLY-LH -----	1	B
	C163030-0304	BRAKE ASSEMBLY-RH -----	1	B
-16	61-18	CYLINDER-BRAKE CFP -----	1	
-17	62-15	PISTON CFP -----	2	
-18	AN6227B27	O RING -----	2	
-19	73-10	PLATE ASSEMBLY-PRESSURE CFP -----	1	
-20	66-30	LINING CFP -----	2	
	561	RIVET CFP -----	4	
-21	74-10	PLATE ASSEMBLY-BACK CFP -----	2	
-22	66-30	LINING CFP -----	1	
	561	RIVET CFP -----	2	
-23	69-4	BOLT-ANCHOR -----	2	
-24	NAS679A4	NUT -----	2	
-25	AN960-416L	WASHER -----	6	
-26	183-1	CAP-BLEEDER CFP -----	1	
	FC6446	SCREW-BLEEDER CFP -----	1	
	37-206	SEAT-BLEEDER CFP -----	1	
-27	MS20823-4D	FITTING-TUBE -----	1	
-28	LP4-20AM	BOLT CFP -----	4	
-29	75-15	PLATE ASSEMBLY-TORQUE CFP -----	1	
-30	145-10	BUSHING-TORQUE PLATE -----	2	
	R561	RIVET SET KIT CFP -----	1	
		A---210 SERIAL 21058819 THRU 21058963 T210 SERIAL T210-0198 THRU T210-0333		
		B---210 SERIAL 21058964 & ON T210 SERIAL T210-0334 & ON		

Landing Gear Doors

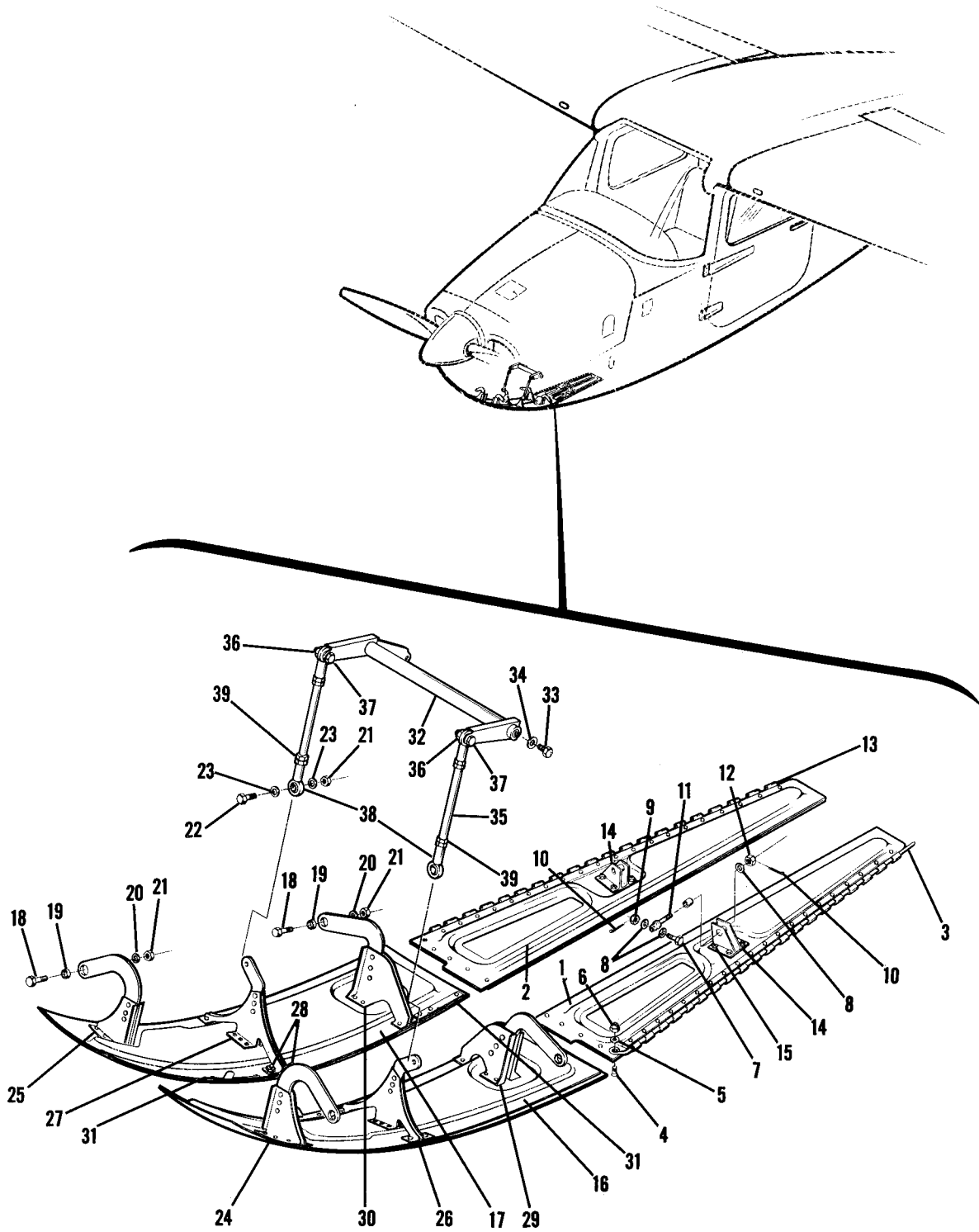


**210 SERIAL 21058819 THRU 21059061
T210 SERIAL T210-0198 THRU T210-0392**

Figure 38. Nose Gear Doors & Torque Tube Installation

FIGURE AND INDEX NO.	PART NUMBER	DESCRIPTION	UNITS PER ASSY		USABLE ON CODE
			1	2	
		1 2 3 4 5 6 7			
38 -		NOSE GEAR DOORS & TORQUE TUBE INSTALLATION -----			NP
- 1	1213466-1	DOOR ASSEMBLY-NOSE GEAR FORWARD LH -----			1
- 2	1213466-2	DOOR ASSEMBLY-NOSE GEAR FORWARD RH -----			1
		ATTACHING PARTS -----			
- 3	AN3-6A	BOLT -----			2
- 4	AN960-10	WASHER -----			3
- 5	NAS679A3	NUT -----			3
- 6	NAS74A3-004P	BUSHING -----			2
- 7	AN3-10A	BOLT -----			1
		-----*			
- 8	1213463-1	BRACKET ASSEMBLY-LH -----			1
- 9	1213463-2	BRACKET ASSEMBLY-RH -----			1
-10	1213463-19	ARM-HINGE -----			1
-11	1213463-5	BRACKET ASSEMBLY-LH -----			1
-12	1213463-6	BRACKET ASSEMBLY-RH -----			1
		ATTACHING PARTS -----			
	NAS514P1032-10	SCREW -----			2
	1213466-7	WASHER -----			2
	NAS679A3	NUT -----			2
		-----*			
-13	1213464-1	CLEVIS -----			1
-14	1213463-3	BRACKET ASSEMBLY-LH -----			1
-15	1213463-4	BRACKET ASSEMBLY-RH -----			1
-16	1213463-20	ARM-HINGE -----			1
-17	1213292-1	CLIP-GUIDE -----			2
-18	1213467-1	DOOR ASSEMBLY-NOSE GEAR AFT LH -----			1
-19	1213467-2	DOOR ASSEMBLY-NOSE GEAR AFT RH -----			1
		ATTACHING PARTS -----			
-20	1213431-1	HINGE PIN-LH -----			1
	1213431-2	HINGE PIN-RH -----			1
-21	AN5C7-832R7	SCREW -----			1
-22	AN96-8	WASHER -----			1
-23	NAS679A08	NUT -----			1
-24	AN3-5	BOLT -----			1
-25	AN960-10	WASHER -----			1
-26	AN320-3	NUT -----			1
-27	MS24665-132	PIN-COTTER -----			1
-28	AN42B10	EYEBOLT -----			1
-29	AN310-3	NUT -----			1
		-----*			
-30	1213129-1	TEE ASSEMBLY -----			1
	NAS75-3-019	BUSHING -----			1
-31	1213431-4	HINGE HALF -----			1
-32	1243417-1	TORQUE TUBE ASSEMBLY-NOSE GEAR DOORS -----			1
		ATTACHING PARTS -----			
-33	AN4-11A	BOLT -----			2
-34	AN960-416	WASHER -----			AR
-35	NAS679A4	NUT -----			2
		-----*			
-36	1243065-3	RCC ASSEMBLY -----			2
		ATTACHING PARTS -----			
-37	AN3-10A	BOLT -----			2
-38	AN960-10	WASHER -----			2
-39	NAS679A3	NUT -----			2
		-----*			
-40	S11C6-3	ROD END -----			2
-41	AN316-4R	NUT -----			2
		-----*			
		A---210 SERIAL 21058819 THRU 21059061			
		T210 SERIAL T210-0198 THRU T210-0392			

Landing Gear Doors (Cont)



210 SERIAL 21059062 & ON
T210 SERIAL T210-0393 & ON

Figure 38A. Nose Gear Doors & Torque Tube Installation

FIGURE AND INDEX NO.	PART NUMBER	DESCRIPTION	UNITS PER ASSY	USABLE ON CODE
		1 2 3 4 5 6 7		
38A-		NOSE GEAR DOORS & TORQUE TUBE INSTALLATION -----		A
- 1	1213467-7	DOOR ASSEMBLY NOSE GEAR AFT LH -----	1	
- 2	1213467-8	DOOR ASSEMBLY NOSE GEAR AFT RH -----	1	
		ATTACHING PARTS		
- 3	1213431-1	HINGE PIN-LH -----	1	
	1213431-2	HINGE PIN-RH -----	1	
- 4	AN507-832R7	SCREW -----	1	
- 5	AN960-8	WASHER -----	1	
- 6	NAS679A08	NUT -----	1	
- 7	AN3-5	BOLT -----	1	
- 8	AN960-10	WASHER -----	3	
- 9	AN320-3	NUT -----	1	
-10	MS24665-132	PIN-COTTER -----	2	
-11	AN42B-10	EYEBOLT -----	1	
-12	AN310-3	NUT -----	1	
		*-----		
-13	1213431-4	HINGE HALF -----	1	
-14	1217014-1	BRACKET -----	1	
		ATTACHING PARTS		
-15	AN507-632R6	SCREW -----	4	
	AN960-6L	WASHER -----	4	
	NAS679A06	NUT -----	4	
		*-----		
-16	1217009-1	DOOR ASSEMBLY-NOSE GEAR FWD L.H. -----	1	
-17	1217009-2	DOOR ASSEMBLY-NOSE GEAR FWD R.H. -----	1	
		ATTACHING PARTS		
-18	AN3-6A	BOLT -----	2	
-19	NAS74A-3E004P	BUSHING -----	2	
-20	AN960-10	WASHER -----	2	
-21	NAS679A3	NUT -----	3	
-22	AN3-10A	BOLT -----	1	
-23	AN960-10L	WASHER -----	2	
		*-----		
-24	1217011-1	BRACKET ASSEMBLY-LH -----	1	
-25	1217011-2	BRACKET ASSEMBLY-RH -----	1	
-26	1217012-1	BRACKET ASSEMBLY-LH -----	1	
-27	1217012-2	BRACKET ASSEMBLY-RH -----	1	
		ATTACHING PARTS		
-28	NAS514P1032-10	SCREW -----	2	
	MS20365-1032C	NUT -----	2	
		*-----		
-29	1217013-1	BRACKET ASSEMBLY-LH -----	1	
-30	1217013-2	BRACKET ASSEMBLY-RH -----	1	
-31	1213292-1	GUIDE-CLIP -----	2	
-32	1217025-1	TORQUE TUBE ASSEMBLY-NOSE GEAR DOOR -----	1	
		ATTACHING PARTS		
-33	AN4-10A	BOLT -----	2	
-34	AN935-416	WASHER -----	2	
		*-----		
-35	1217017-1	ROD ASSEMBLY -----	2	
		ATTACHING PARTS		
-36	AN960-10	WASHER -----	AR	
-37	AN3-7A	BOLT -----	3	
	NAS679A3	NUT -----	3	
		*-----		
-38	S1106-3	ROD END -----	2	
-39	AN316-4R	NUT -----	2	
		*-----		
		A---210 SERIAL 21059062 & ON T210 SERIAL T210-0393 & ON		

Landing Gear Doors (Cont)

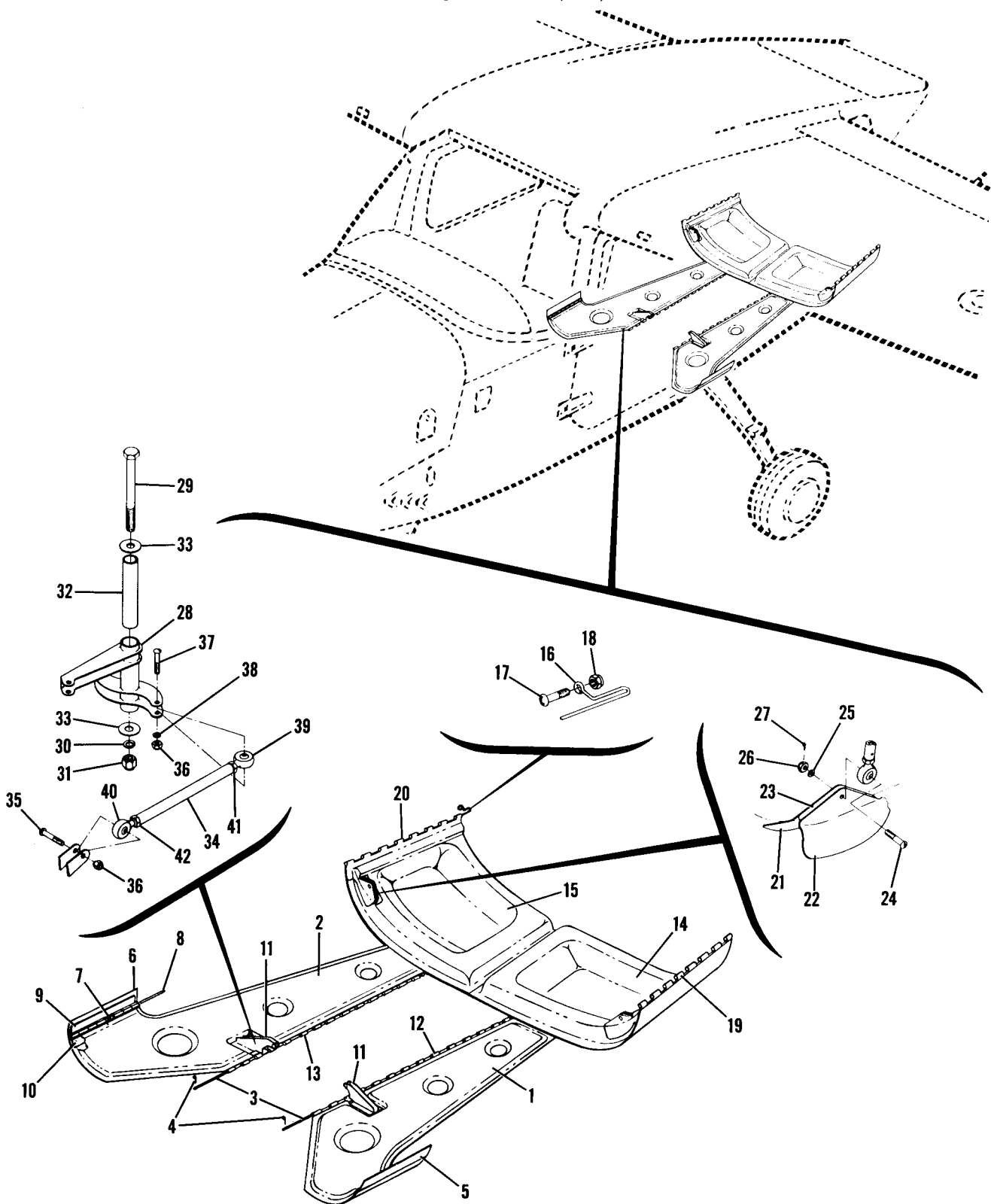


Figure 39. Main Gear Doors Installation



FIGURE AND INDEX NO.	PART NUMBER	DESCRIPTION	UNITS PER ASSY	USABLE ON CODE		
					1	2
39 -		MAIN GEAR DOORS INSTALLATION -----	NP			
- 1	1211447-13	DOOR ASSEMBLY-MAIN GEAR SPRING WELL LH -----	1			
- 2	1211447-14	DOOR ASSEMBLY-MAIN GEAR SPRING WELL RH -----	1			
		ATTACHING PARTS -----				
- 3	MS20253-2-2981	PIN-HINGE -----	1			
- 4	MS24665-22	PIN-COTTER -----	2			
		-----*				
- 5	1211447-9	DOOR-STUB LH -----	1			
- 6	1211447-10	DOOR-STUB RH -----	1			
		ATTACHING PARTS -----				
- 7	S147	SPRING -----	1			
- 8	MS20253-2-502	PIN-HINGE -----	1			
		-----*				
- 9	1211455-4	HINGE-RH -----	1			
	1211455-3	HINGE-LH -----	1			
-10	1211455-6	HINGE-RH -----	1			
	1211455-5	HINGE-LH -----	1			
-11	1211446-1	ARM-ACTUATOR -----	1			
-12	1211480-5	HINGE LH STAINLESS STEEL -----	1			
-13	1211480-6	HINGE RH STAINLESS STEEL -----	1			
-14	1211456-21	DOOR ASSEMBLY-MAIN GEAR WHEEL WELL LH -----	1			
-15	1211456-22	DOOR ASSEMBLY-MAIN GEAR WHEEL WELL RH -----	1			
		ATTACHING PARTS -----				
-16	1234024-2	PIN-HINGE -----	1			
-17	AN515-8R7	SCREW -----	1			
-18	NAS679A08	NUT -----	1			
		-----*				
-19	1211480-1	HINGE LH STAINLESS STEEL -----	1			
-20	1211480-2	HINGE RH STAINLESS STEEL -----	1			
-21	1211456-19	BRACKET-FORWARD LH -----	1			
	1211456-20	BRACKET-FORWARD RH -----	1			
-22	1211456-17	BRACKET-AFT LH -----	1			
	1211456-18	BRACKET-AFT RH -----	1			
-23	1211456-16	SPACER -----	1			
-24	AN3-7	BOLT -----	2			
-25	AN960-10	WASHER -----	2			
-26	AN310-3	NUT -----	2			
-27	MS24665-134	PIN-COTTER -----	2			
-28	1241427-1	BELLCRANK ASSEMBLY-SPRING DOOR ACTUATOR -----	1			
		ATTACHING PARTS -----				
-29	NAS464-4A58	BOLT -----	1			
-30	AN960-416L	WASHER -----	1			
-31	NAS679A4	NUT -----	1			
-32	1211457-1	SPACER -----	1			
-33	1211463-1	WASHER -----	1			
		-----*				
-34	1211459-1	ROD ASSEMBLY -----	2			
		ATTACHING PARTS -----				
-35	AN3-11A	BOLT -----	1			
-36	NAS679A3	NUT -----	2			
-37	AN23-15A	BOLT -----	1			
-38	AN960-10	WASHER -----	1			
		-----*				
-39	M34-14	ROD END HEIM -----	1			
-40	BRE3700	ROD END SWPC -----	1			
-41	AN316C4R	NUT -----	1			
-42	AN316C5R	NUT -----	1			

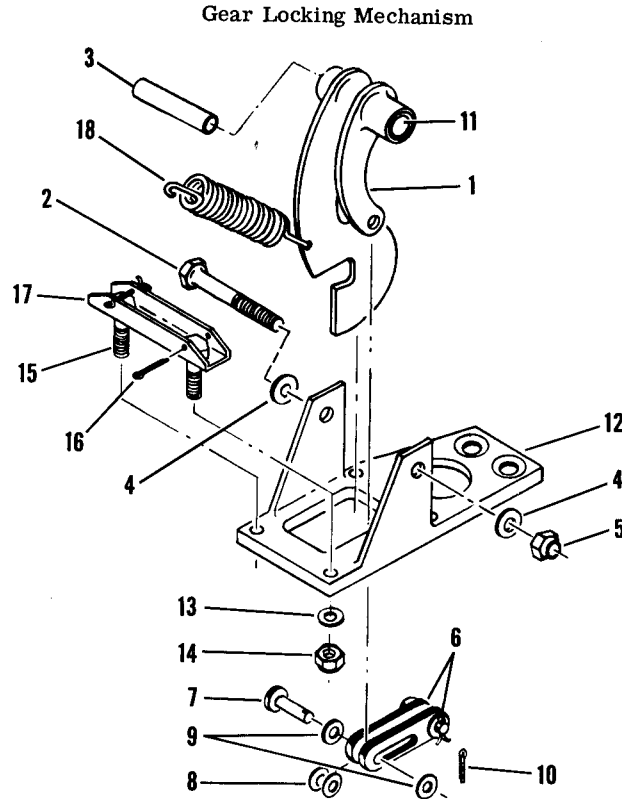


Figure 40. Nose Gear Uplock Installation

FIGURE AND INDEX NO.	PART NUMBER	DESCRIPTION	UNITS PER ASSY	USABLE ON CODE
40 -		1 2 3 4 5 6 7 NOSE GEAR UPLOCK INSTALLATION -----	NP	A
- 1	1243415-1 1243415-2	HOOK & SUPPORT ASSEMBLY-NOSE GEAR UPLOCK ----- HOOK ASSEMBLY-NOSE GEAR UPLOCK -----	1 1	
- 2	AN4-24A	ATTACHING PARTS ----- BOLT -----	1	
- 3	1243415-6	RACE-BEARING INNER - 210 SERIAL 21058819 -----	1	
- 4	AN960-416L	WASHER -----	2	
- 5	NAS679A4	NUT ----- THRU 21059061 -----	1	
- 6	1241424-1	LINK -----	2	
- 7	MS20392-2C17	PIN-FLATHEAD -----	1	
- 8	AN960-10L	WASHER -----	2	
- 9	AN960-10	WASHER ----- T210 SERIAL T210-0198 -----	2	
-10	MS24665-132	PIN-COTTER ----- THRU T210-0392 -----	1	
-11	NAS295-6	BEARING -----	2	
-12	1243415-5 1243415-3	BRACKET-NOSE GEAR UPLOCK ----- ANCHOR ASSEMBLY-BOLT -----	1 2	
-13	AN960-10L	ATTACHING PARTS ----- WASHER -----	2	
-14	NAS679A3	NUT -----	2	
-15	AN3-6A	BOLT -----	2	
-16	MS24665-134	PIN-COTTER -----	2	
-17	1243415-10	CHANNEL -----	1	
-18	1241029-1	SPRING-NOSE GEAR UPLOCK -----	1	
		A---210 SERIAL 21058819 THRU 21059061 T210 SERIAL T210-0198 THRU T210-0392		

Gear Locking Mechanism (Cont)

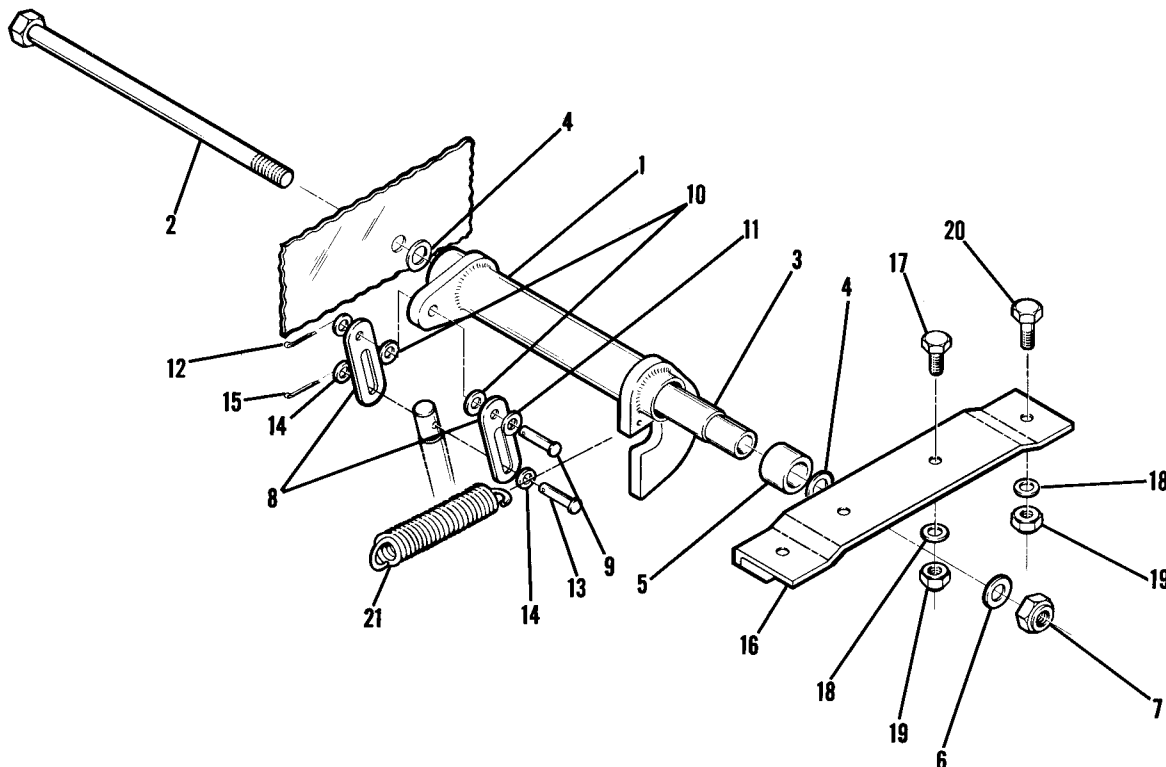


Figure 40A. Nose Gear Uplock Installation

FIGURE AND INDEX NO.	PART NUMBER	DESCRIPTION	UNITS PER ASSY	USABLE ON CODE
40A-		1 2 3 4 5 6 7		
- 1	1243025-1	NOSE GEAR UPLOCK INSTALLATION ----- BELLCRANK AND HOOK ASSEMBLY-NOSE GEAR UPLOCK -----	NP	A
- 2	AN5-55A	ATTACHING PARTS BOLT -----	1	
- 3	1243025-6	RACE BEARING-INNER -----	1	
- 4	AN960-716L	WASHER -----	2	
- 5	NAS295-7	BEARING -----	2	
- 6	AN960-516L	WASHER -----	1	
- 7	NAS679A5	NUT -----	1	
- 8	1241424-1	LINK -----	2	
- 9	MS20392-1C17	ATTACHING PARTS PIN-FLATHEAD -----	1	
- 10	AN960-10	WASHER -----	2	
- 11	AN960-10L	WASHER -----	2	
- 12	MS24665-132	PIN-COTTER -----	1	
- 13	MS20397-1C17	ATTACHING PARTS PIN-FLATHEAD -----	1	
- 14	AN960-4	WASHER -----	2	
- 15	MS24665-132	PIN-COTTER -----	1	
- 16	1243027-1	SUPPORT -----	1	
- 17	AN3-4A	ATTACHING PARTS BOLT -----	2	
- 18	AN960-10L	WASHER -----	4	
- 19	NAS679A3	NUT -----	4	
- 20	AN3-5A	BOLT -----	2	
- 21	1241029-3	ATTACHING PARTS SPRING -----	1	
		210 SERIAL 21059062 & ON T210 SERIAL T210-0393 & ON		
		A---210 SERIAL 21059062 & ON T210 SERIAL T210-0393 & ON		

Gear Locking Mechanism (Cont)

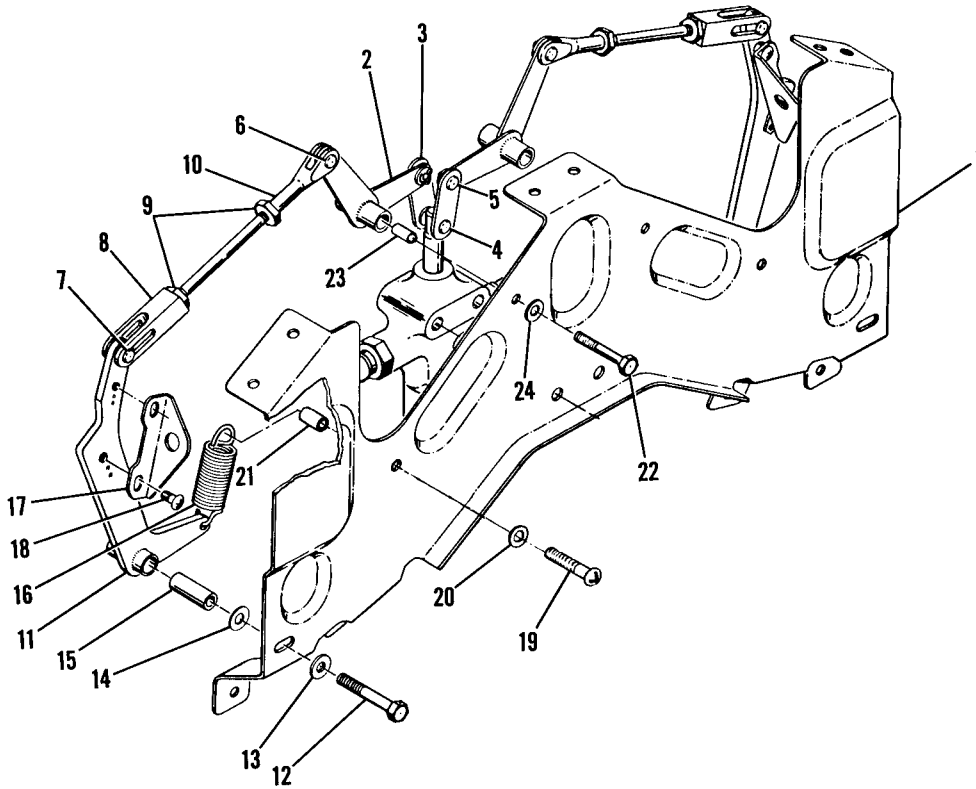


Figure 41. Main Gear Uplock Mechanism Installation

FIGURE AND INDEX NO.	PART NUMBER	DESCRIPTION	UNITS PER ASSY	USABLE ON CODE
		1 2 3 4 5 6 7		
41 -		MAIN GEAR UPLOCK MECHANISM INSTALLATION -----	NP	
- 1	1211466-1	BRACKET -----	1	
- 2	1241430-1	BELLCRANK ASSEMBLY -----	2	
- 3	1241025-1	LINK -----	2	
		ATTACHING PARTS		
- 4	MS20392-1C19	PIN -----	1	
	MS24665-132	PIN-CCTER -----	1	
- 5	MS20392-1C9	PIN -----	1	
	AN960-6	WASHER -----	1	
	MS24665-132	PIN-CCTER -----	1	
		-----*		
	1241030-9	RCD ASSEMBLY-MAIN GEAR LOCK MECHANISM -----	2	
		ATTACHING PARTS		
- 6	MS20392-2C11	PIN -----	1	
	AN960-10L	WASHER -----	1	
	MS24665-132	PIN-COTTER -----	1	
- 7	MS20392-2C17	PIN -----	1	
	AN960-10L	WASHER -----	1	
	MS24665-132	PIN-COTTER -----	1	
		-----*		
- 8	1241026-1	CLEVIS -----	1	
- 9	AN345-10	NUT -----	2	
-10	AN665-21R	TERMINAL -----	1	
-11	1241428-1	PAWL ASSEMBLY-LH -----	1	
	1241428-2	PAWL ASSEMBLY-RH -----	1	
		ATTACHING PARTS		
-12	NAS1303-14H	BOLT -----	1	
-13	1241429-3	SHIM -----	1	
-14	AN960-10	WASHER -----	1	
-15	NAS76A3-031	BUSHING -----	1	
		-----*		
-16	1241029-1	SPRING -----	2	
-17	1241436-1	BRACKET-LH -----	1	
	1241436-2	BRACKET-RH -----	1	
		ATTACHING PARTS		
-18	AN520-10R8	SCREW -----	2	
		-----*		
-19	AN525-832R26	SCREW -----	2	
-20	AN960-8L	WASHER -----	2	
-21	NAS43HT3-80	SPACER -----	2	
-22	AN3-17A	BCLT -----	2	
-23	NAS76A3-108	BUSHING -----	2	
-24	AN960-10L	WASHER -----	2	

Gear Locking Mechanism (Cont)

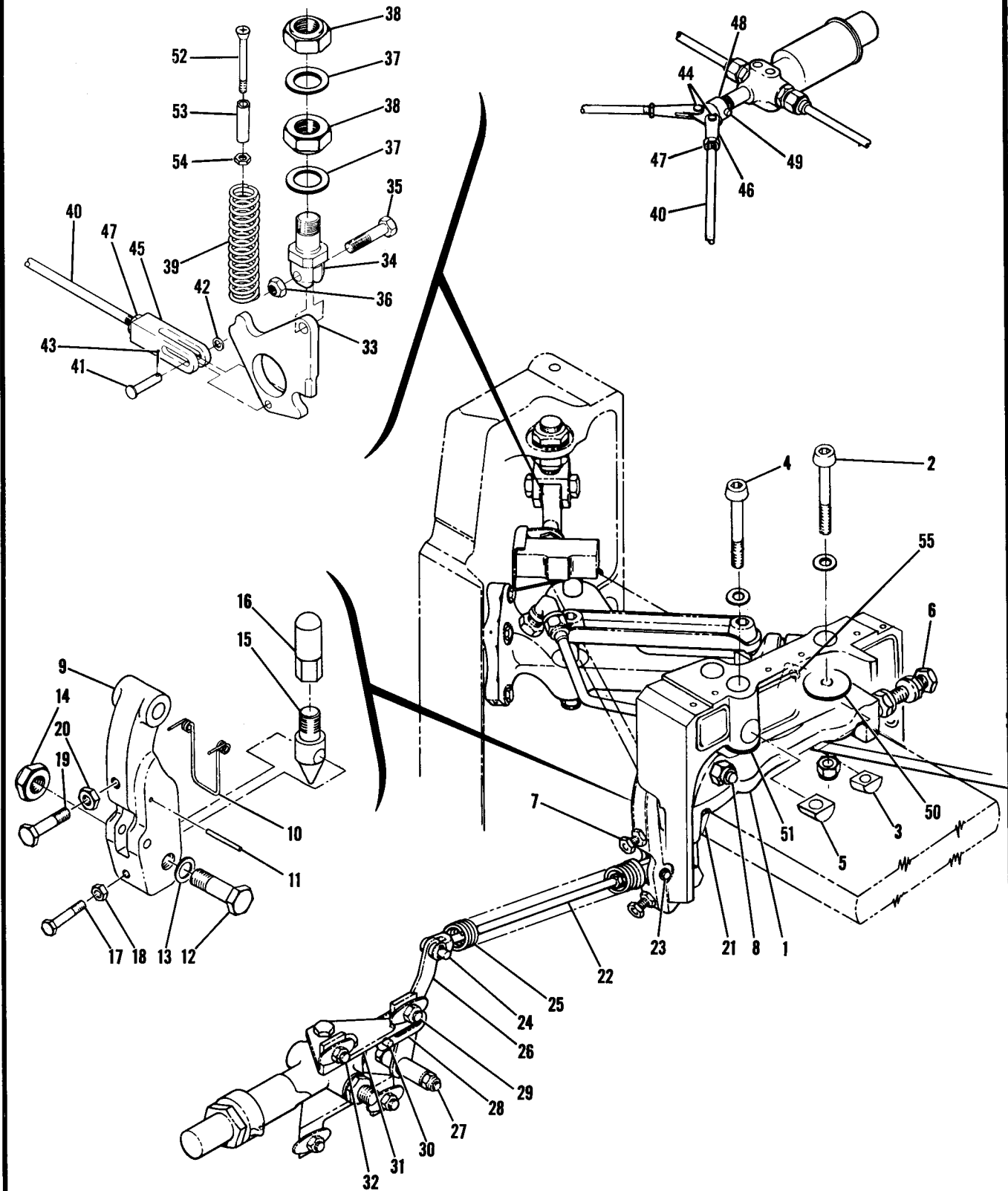


Figure 42. Main Gear Downlock Installation

FIGURE AND INDEX NO.	PART NUMBER	DESCRIPTION	UNITS PER ASSY	USABLE ON CODE
42 -		1 2 3 4 5 6 7		
- 1	1241403-1 1241403-2	MAIN GEAR DOWNLOCK INSTALLATION ----- PLATE-MAIN GEAR ADJUSTING LH ----- PLATE-MAIN GEAR ADJUSTING RH -----	NP 1 1	
- 2	NAS146-31 2935-06 12NE2935-064	ATTACHING PARTS BOLT ----- WASHER EN -----	1 1 1	
- 3	1241417-1	NUT EN ----- SPACER -----	1 1	
- 4	NAS145-31 2935-05 52LH2935-054	BOLT ----- WASHER EN ----- NUT EN -----	1 1 1	
- 5	1241417-2	SPACER ----- ---*---	1	
- 6	NAS566-81 1241435-1 NAS679A9	BOLT ----- WASHER ----- NUT -----	2 4 6	
- 7	1241410-1 1241410-2	DOWNLOCK ASSEMBLY-LH ----- DOWNLOCK ASSEMBLY-RH -----	1 1	
- 8	AN6-26A NAS679A6	ATTACHING PARTS BOLT ----- NUT -----	1 1	
- 9	1241411-1 1241411-2	HOUSING-LH ----- HOUSING-RH -----	1 1	
-10	1241431-1	SPRING -----	1	
-11	NAS561-2-15 1241413-1	ATTACHING PARTS PIN-SPRING ----- ---*---	1 1	
-12	NAS464-6-15	PIN ASSEMBLY ----- ATTACHING PARTS	1	
-13	AN960-616L	BOLT -----	1	
-14	NAS679A6	WASHER ----- NUT ----- ---*---	1 1 1	
-15	1241413-2	BASE -----	1	
-16	1241413-3	PIN -----	1	
-17	NAS563-29	BOLT -----	1	
-18	NAS679A3	NUT -----	1	
-19	NAS564-29	BOLT -----	1	
-20	AN316-4R	NUT -----	1	
-21	1241404-1 1241404-2 1241404-3	WEDGE ----- WEDGE ----- WEDGE -----	2 AR AR	
-22	1241409-1	ROD ASSEMBLY ----- ATTACHING PARTS	2	
-23	MS20392-2C29 AN960C10 MS24665-132	PIN ----- WASHER ----- PIN-COTTER -----	1 1 1	
-24	MS20392-2C17 AN960C10 MS24665-132	PIN ----- WASHER ----- PIN-COTTER ----- ---*---	1 1 1 1	
-25	1241406-1	SPRING -----	2	
-26	1241414-1	ARM ASSEMBLY ----- ATTACHING PARTS	2	
-27	AN3-16A AN960-10 NAS76A3-110	BOLT ----- WASHER ----- BUSHING ----- ---*---	1 1 2	

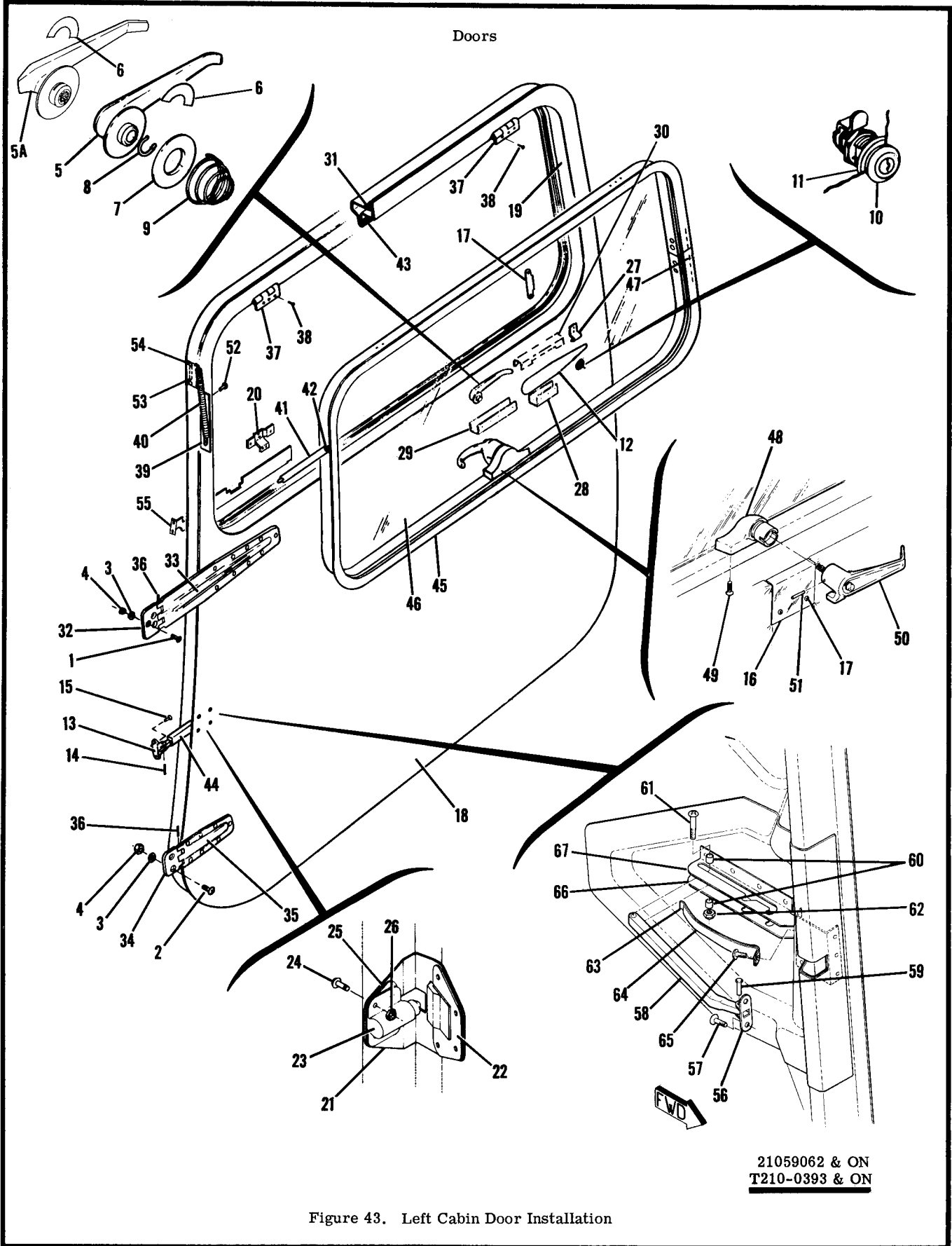
CONTINUED ON NEXT PAGE

FIGURE AND INDEX NO.	PART NUMBER	DESCRIPTION							UNITS PER ASSY	USABLE ON CODE
		1	2	3	4	5	6	7		
42 -28	1241424-1	LINK -----							4	
		ATTACHING PARTS								
-29	MS20392-2C17	PIN -----							1	
	AN960-10	WASHER -----							1	
	MS24665-132	PIN-COTTER -----							1	
-30	MS20392-1C17	PIN -----							1	
	AN960-6	WASHER -----							1	
	MS24665-132	PIN-COTTER -----							1	
		*-----								
-31	1241415-1	ANCHOR -----							2	
	1241415-2	ANCHOR -----							2	
		ATTACHING PARTS								
-32	AN3-5A	BOLT -----							2	
	AN960-10	WASHER -----							2	
		*-----								
-33	1241419-1	PAWL ASSEMBLY -----							2	
-34	1241405-1	BOLT-CLEVIS -----							2	
		ATTACHING PARTS								
-35	NAS464P6LA13	BOLT -----							1	
-36	NAS679A6	NUT -----							1	
-37	AN960-816L	WASHER -----							2	
-38	NAS1022A8	NUT -----							2	
		*-----								
-39	1241406-2	SPRING -----							1	
-40	1241030-7	ROD ASSEMBLY -----							2	
		ATTACHING PARTS								
-41	MS20392-2C19	PIN -----							1	
-42	AN960-10	WASHER -----							1	
-43	MS24665-132	PIN-COTTER -----							2	
-44	MS20392-2C11	PIN -----							1	
		*-----								
	1241030-8	ROD -----							1	
-45	1241026-1	CLEVIS -----							1	
-46	AN665-21R	TERMINAL -----							1	
-47	AN345-10	NUT -----							2	
-48	1241017-1	FITTING -----							1	
		ATTACHING PARTS								
-49	MS20392-1C21	PIN -----							1	
	MS24665-132	PIN-COTTER -----							1	
		*-----								
-50	1241418-1	SHIM .045 IN. THICK -----							AR	
	1241418-2	SHIM .012 IN. THICK -----							AR	
	1241418-3	SHIM .020 IN. THICK -----							AR	
	1241418-4	SHIM .032 IN. THICK -----							AR	
	1241418-9	SHIM .006 IN. THICK -----							AR	
-51	1241418-5	SHIM .045 IN. THICK -----							AR	
	1241418-6	SHIM .012 IN. THICK -----							AR	
	1241418-7	SHIM .020 IN. THICK -----							AR	
	1241418-8	SHIM .032 IN. THICK -----							AR	
	1241418-10	SHIM .006 IN. THICK -----							AR	
-52	AN509-416R34	SCREW -----							2	
-53	NAS43HT4-80	SPACER -----							2	
-54	MS21042-4	NUT -----							2	
-55	AN565D1032H10	SET SCREW -----							2	
	NAS679A3	NUT -----							2	



FIGURE AND INDEX NO.	PART NUMBER	DESCRIPTION	UNITS PER ASSY	USABLE ON CODE
43 -		LEFT CABIN DOOR INSTALLATION -----	NP	
		ATTACHING PARTS		
- 1	AN509-10R14	SCREW -----	3	
- 2	AN509-10R16	SCREW -----	2	
- 3	AN960-10L	WASHER -----	5	
- 4	NAS679A3	NUT -----	5	
		---*---		
- 5	0711027-1	HANDLE-DOOR INSIDE -----	1	C
- 5A	1211249-2	HANDLE-DOOR INSIDE -----	1	D
- 6	C70C166-1	PLACARD-LH DOOR HANDLE -----	1	E
	1211251-2	INSERT -----	1	E
- 7	C511189-2	ESCUTCHEON-DOOR HANDLE -----	1	
- 8	C511189-1	CLIP-DOOR HANDLE -----	1	
- 9	0413317	SPRING-DOOR HANDLE -----	1	
-10	C253001-0101	LOCK ASSEMBLY-DOOR -----	1	
	0711033-1	CAM -----	1	
-11	C411851	WASHER -----	1	
-12	SEE FIG 45	LATCH ASSEMBLY-REMOVABLE -----	1	
		ATTACHING PARTS		
	NAS220-5	SCREW -----	12	
	NAS696A08	NUTPLATE -----	1	
	NAS697A08	NUTPLATE -----	4	
		---*---		
-13	0710625-1	HINGE-DOOR STOP -----	1	A
	0710625-5	HINGE-DOOR STOP -----	1	B
		ATTACHING PARTS		
-14	MS20450C8-20	RIVET -----	1	H
-15	AN507-832R8	SCREW -----	2	A
	AN507-1032R8	SCREW -----	2	B
		---*---		
-16	C711021-7	PLATE-WINDOW LATCH -----	1	
		ATTACHING PARTS		
-17	S1021Z8-8	SCREW -----	2	
		---*---		
	0710620-215	STRUCTURE ASSEMBLY-CABIN DOOR LH -----	1	C
	0710620-221	STRUCTURE ASSEMBLY-CABIN DOOR LH -----	1	F
	1217004-201	STRUCTURE ASSEMBLY-CABIN DOOR LH -----	1	G
-18	0710620-9	SKIN-CABIN DOOR -----	1	C
	0710620-87	SKIN-CABIN DOOR -----	1	F
	1217004-9	SKIN-CABIN DOOR -----	1	G
-19	0710620-11	JAMB-WINDOW -----	1	
-20	1200544-3	BRACKET-DOOR PULL FWD LH -----	1	
	1200544-1	BRACKET-DOOR PULL AFT LH -----	1	
	NAS680A3	NUTPLATE -----	1	
-21	0710622-1	REINFORCEMENT-DOOR STOP -----	1	H
-22	0710623-1	PLATE-STOP -----	1	H
-23	0710624-1	SPRING-DOOR STOP -----	1	H
		ATTACHING PARTS		
-24	AN515-6R8	SCREW -----	4	H
-25	0710637-1	SPACER -----	1	H
-26	NAS679A06	NUT -----	4	H
		---*---		
-27	0711034-1	STOP-CABIN DOOR -----	1	
-28	0711064-5	SUPPORT ASSEMBLY-DOOR LATCH FORWARD -----	1	
	NAS696A08	NUTPLATE -----	2	
-29	0711065-1	SUPPORT ASSEMBLY-DOOR LATCH -----	1	
	NAS696A08	NUTPLATE -----	1	
	NAS697A08	NUTPLATE -----	2	
-30	0710620-81	STIFFENER ASSEMBLY -----	1	
	NAS682A08	NUTPLATE -----	1	
-31	S1346-1	SEAL-116.0 IN LG BULK ITEM REF S1346-1-116.0 -----	1	
	S1441-1	SEAL-12.0 IN LG BULK ITEM REF S1441-1-12.0 -----	1	
	S1441-2	SEAL-15.0 IN LG BULK ITEM REF S1441-1-15.0 -----	1	
	S1264-1	SEAL-28.0 IN LG BULK ITEM REF S1264-1-28.0 -----	1	
-32	0711037-15	HINGE-STATIONARY UPPER LH -----	1	
-33	0711037-17	HINGE-UPPER LH -----	1	
-34	0711037-19	HINGE-STATIONARY LOWER LH -----	1	
-35	0711037-21	HINGE-LOWER LH -----	1	
-36	0711038-1	PIN-HINGE -----	2	
-37	0411185-7	HINGE-WINDOW -----	2	H
	0411185-9	HINGE-WINDOW -----	2	G
-38	CR163-4-4	RIVET CR -----	4	

CONTINUED ON NEXT PAGE

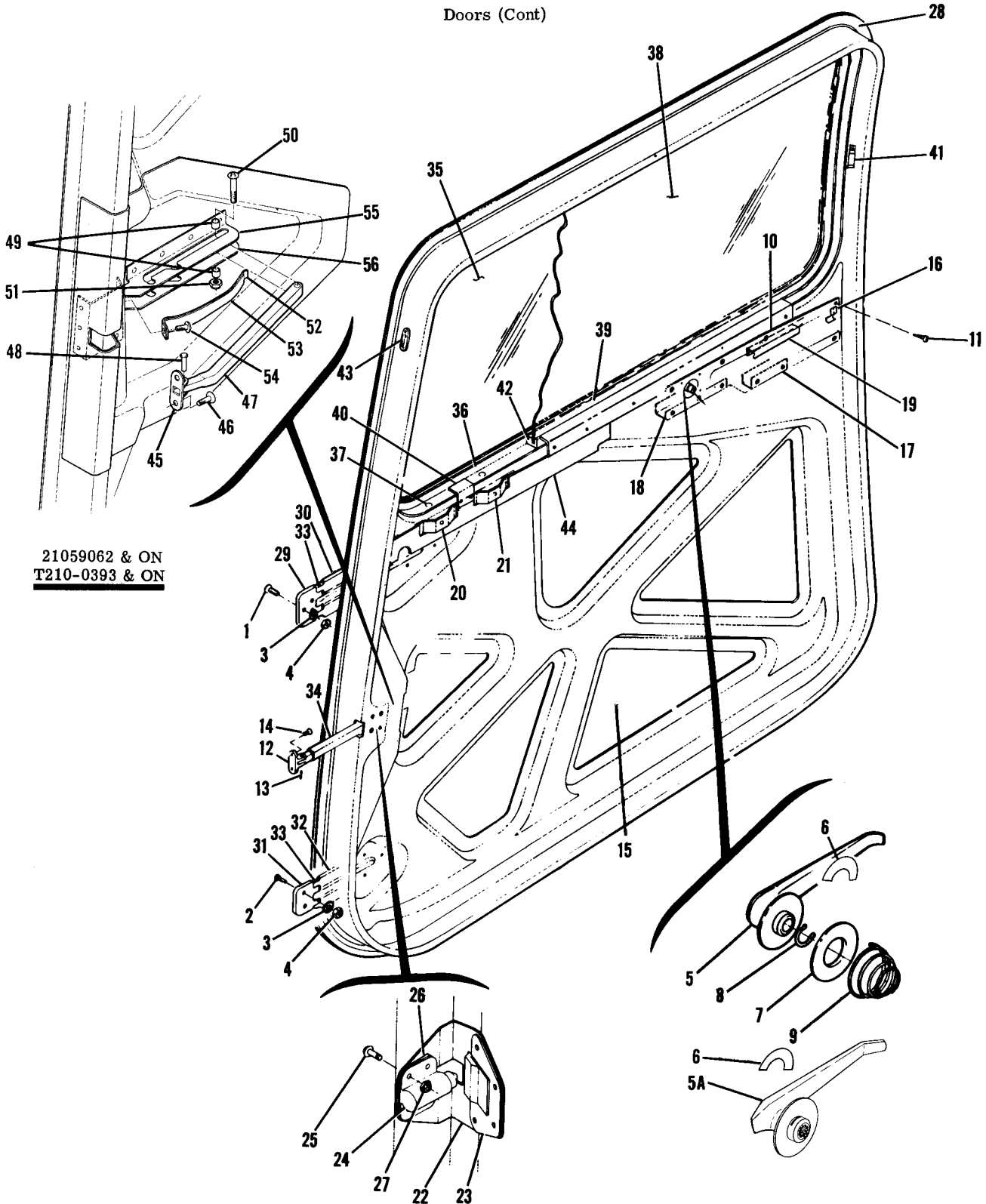


21059062 & ON
T210-0393 & ON

Figure 43. Left Cabin Door Installation

FIGURE AND INDEX NO.	PART NUMBER	DESCRIPTION	UNITS PER ASSY	USABLE ON CODE
		1 2 3 4 5 6 7		
43 -39	0711021-1	PLATE -----	1	
-40	0711021-9	SPRING -----	1	
-41	0711021-4	ARM ASSEMBLY -----	1	
-42	AN525-10R8	SCREW -----	1	
-43	S1378-2	SEAL-84.0 IN LG BULK ITEM REF S1378-2-84.00 -----	1	
-44	0710626-11	ARM-DOOR STOP -----	1	H
	0711050-201	WINDOW ASSEMBLY-DOOR LH -----	1	
-45	0711050-18	FRAME-WINDOW -----	1	
-46	0711051-9	WINDOW-DCCR -----	1	
-47	0711050-15	TUBE-SPLICE -----	1	
		ATTACHING PARTS		
	CR163-4-4	RIVET CR -----	6	
		---*---		
-48	1411202-201	BRACKET ASSEMBLY-WINDOW LATCH -----	1	
		ATTACHING PARTS		
-49	NAS514-1032-14	SCREW -----	2	
	NAS43HT3-24	SPACER -----	2	
		---*---		
-50	S1483-2	HANDLE ASSEMBLY-WINDOW LATCH -----	1	
		ATTACHING PARTS		
-51	NAS561P3-8	PIN -----	1	
		---*---		
-52	S1613-3-75	RIVNUT GD -----	1	
-53	0710638-1	WEDGE-CABIN DOOR -----	1	
		ATTACHING PARTS		
-54	CR163-4	RIVET CV -----	2	
		---*---		
-55	0710620-61	SUPPORT-UPHOLSTERY -----	1	
		ATTACHING PARTS		
	S1021Z4-6	SCREW -----	6	
		---*---		
-56	1217008-1	HINGE ASSEMBLY-DOOR STOP -----	1	G
		ATTACHING PARTS		
-57	AN509-10R8	SCREW -----	1	G
		---*---		
-58	1411206-7	ARM-CABIN DOOR STOP -----	1	G
		ATTACHING PARTS		
-59	MS20615-4M10	RIVET -----	1	G
		---*---		
-60	1411206-1	SPACER -----	2	G
-61	NAS220-16	SCREW -----	1	G
-62	MS20364-832C	NUT -----	1	G
-63	1411207-1	SPRING -----	1	G
-64	1411207-2	SPRING -----	1	G
		ATTACHING PARTS		
-65	AN525-832R7	SCREW -----	1	G
		---*---		
-66	1411206-5	BRACKET-CABIN DOOR STOP -----	1	G
-67	1411206-4	BRACKET-CABIN DOOR STOP -----	1	G
		A---210 SERIAL 21058819 THRU 21058824 T210 SERIAL T210-0198 THRU T210-0225		
		B---210 SERIAL 21058825 THRU 21059061 T210 SERIAL T210-0226 THRU T210-0392		
		C---210 SERIAL 21058819 THRU 21058936 T210 SERIAL T210-0198 THRU T210-0307		
		D---210 SERIAL 21058937 & ON T210 SERIAL T210-0308 & ON		
		E---210 SERIAL 21058819 & ON T210 SERIAL T210-0198 & ON		
		F---210 SERIAL 21058937 THRU 21059061 T210 SERIAL T210-0308 THRU T210-0392		
		G---210 SERIAL 21059062 & ON T210 SERIAL T210-0393 & ON		
		H---210 SERIAL 21058819 THRU 21059061 T210 SERIAL T210-0198 THRU T210-0392		

Doors (Cont)



21059062 & ON
T210-0393 & ON

Figure 44. Right Cabin Door Installation

FIGURE AND INDEX NO.	PART NUMBER	DESCRIPTION	UNITS PER ASSY	USABLE ON CODE
44 -		RIGHT CABIN DOOR INSTALLATION ----- ATTACHING PARTS	NP	
- 1	AN509-10R14	SCREW -----	3	
- 2	AN509-10R16	SCREW -----	2	
- 3	AN960-10L	WASHER -----	5	
- 4	NAS679A3	NUT -----	5	
		-----*		
- 5	0711027-1	HANDLE-DOOR INSIDE -----	1	C
- 5A	1211249-2	HANDLE-DOOR INSIDE -----	1	D
- 6	C700166-2	PLACARD-RH DOOR HANDLE -----	1	E
	1211251-2	INSERT -----	1	E
- 7	0511189-2	ESCUTCHEON-DOOR HANDLE -----	1	
- 8	0511189-1	CLIP-DOOR HANDLE -----	1	
- 9	C413317-1	SPRING-DOOR HANDLE -----	1	
-10	SEE FIG 45	LATCH ASSEMBLY-REMOVABLE -----	1	
		ATTACHING PARTS		
-11	NAS220-5	SCREW -----	12	
	NAS696A08	NUTPLATE -----	1	
	NAS697A08	NUTPLATE -----	4	
		-----*		
-12	0710625-1	HINGE-DOOR STCP -----	1	A
	0710625-5	HINGE-DOOR STCP -----	1	B
		ATTACHING PARTS		
-13	MS20450C8-20	RIVET -----	1	H
-14	AN507-832R8	SCREW -----	2	A
	AN507-1032R8	SCREW -----	2	B
		-----*		
	0710620-214	STRUCTURE ASSEMBLY-CABIN DOOR RH -----	1	C
	0710620-220	STRUCTURE ASSEMBLY-CABIN DOOR RH -----	1	F
	1217C04-200	STRUCTURE ASSEMBLY-CABIN DOOR RH -----	1	G
-15	0710620-10	SKIN-CABIN DOOR -----	1	C
	0710620-88	SKIN-CABIN DOOR -----	1	F
	1217004-10	SKIN-CABIN DOOR -----	1	G
-16	0711034-1	STOP-CABIN DOOR HANDLE -----	1	
-17	0711064-5	SUPPORT ASSEMBLY-DOOR LATCH FORWARD -----	1	
	NAS696A08	NUTPLATE -----	2	
-18	0711065-1	SUPPORT ASSEMBLY-DOOR LATCH -----	1	
	NAS696A08	NUTPLATE -----	1	
	NAS697A08	NUTPLATE -----	2	
-19	0710620-82	STIFFENER ASSEMBLY -----	1	
	NAS682A08	NUTPLATE -----	1	
-20	1200544-2	BRACKET-DOOR PULL FWD RH -----	1	
-21	1200544-4	BRACKET-DOOR PULL AFT RH -----	1	
-22	0710622-2	REINFORCEMENT-DOOR STOP -----	1	H
-23	0710623-2	PLATE-STOP -----	1	H
-24	0710624-1	SPRING-DOOR STOP -----	1	H
		ATTACHING PARTS		
-25	AN515-6R6	SCREW -----	4	H
-26	0710637-1	SPACER -----	1	H
-27	NAS679A06	NUT -----	4	H
		-----*		
-28	S1346-1	SEAL-116.0 IN LG BULK ITEM REF S1346-1-116.0 -----	1	
	S1441-1	SEAL-12.0 IN LG BULK ITEM REF S1441-1-12.0 -----	1	
	S1441-2	SEAL-15.0 IN LG BULK ITEM REF S1441-2-15.0 -----	1	
	S1264-1	SEAL-28.0 IN LG BULK ITEM REF S1264-1-28.0 -----	1	
-29	0711037-14	HINGE-UPPER STATIONARY -----	1	
-30	0711037-16	HINGE-UPPER -----	1	
-31	0711037-18	HINGE-LOWER STATIONARY -----	1	
-32	0711037-20	HINGE-LOWER -----	1	
-33	0711038-1	PIN-HINGE -----	2	
-34	0710626-12	ARM-DOOR STOP -----	1	H
-35	0710620-16	WINDOW-DOOR OUTER -----	1	
-36	0710620-28	RETAINER-OUTER WINDOW -----	1	
		ATTACHING PARTS		
-37	CR163-4-2	RIVET CR -----	21	
		-----*		

CONTINUED ON NEXT PAGE

FIGURE AND INDEX NO.	PART NUMBER	DESCRIPTION	UNITS PER ASSY	USABLE ON CODE
44 -38	1211061-54	WINDOW-DOOR INNER ----- ATTACHING PARTS -----	1	
-39	1211061-46	CLIP-WINDOW RETAINER -----	1	
-40	1211061-60	CLIP-WINDOW RETAINER -----	1	
-41	1211061-61	HAT-WINDOW RETAINER -----	5	
	S1021A4-6	SCREW -----	16	
		---*---		
-42	0811751-1	SEAL-INNER WINDOW 85.00 IN LG BULK ITEM REF 1211061-50	1	
-43	071C638-1	WEDGE-CABIN DOOR ----- ATTACHING PARTS -----	1	
	CR163J	RIVET CY -----	2	
		---*---		
-44	0710620-60	SUPPORT-UPHOLSTERY ----- ATTACHING PARTS -----	1	
	S1021Z4-6	SCREW -----	6	
		---*---		
-45	1217008-1	HINGE ASSEMBLY-DOOR STOP ----- ATTACHING PARTS -----	1	G
-46	AN509-10R8	SCREW -----	1	G
		---*---		
-47	1411206-7	ARM-CABIN DOOR STOP ----- ATTACHING PARTS -----	1	G
-48	MS20615-4M10	RIVET -----	1	G
		---*---		
-49	1411206-1	SPACER -----	2	G
-50	NAS220-16	SCREW -----	1	G
-51	MS20364-832C	NUT -----	1	G
-52	1411207-1	SPRING -----	1	G
-53	1411207-2	SPRING -----	1	G
		ATTACHING PARTS -----		
-54	AN525-832R7	SCREW -----	1	G
		---*---		
-55	1411206-4	BRACKET-CABIN DOOR STOP -----	1	G
-56	1411206-5	BRACKET-CABIN DOOR STOP -----	1	G
		 A---210 SERIAL 21058819 THRU 21058824 T210 SERIAL T210-0198 THRU T210-0225 B---210 SERIAL 21058825 THRU 21059061 T210 SERIAL T210-0226 THRU T210-0392 C---210 SERIAL 21058819 THRU 21058936 T210 SERIAL T210-0198 THRU T210-0307 D---210 SERIAL 21058937 & ON T210 SERIAL T210-0308 & ON E---210 SERIAL 21058819 & ON T210 SERIAL T210-0198 & ON F---210 SERIAL 21058937 THRU 21059061 T210 SERIAL T210-0308 THRU T210-0392 G---210 SERIAL 21059062 & ON T210 SERIAL T210-0393 & ON H---210 SERIAL 21058819 THRU 21059061 T210 SERIAL T210-0198 THRU T210-0392		

This page intentionally left blank.

Doors (Cont)

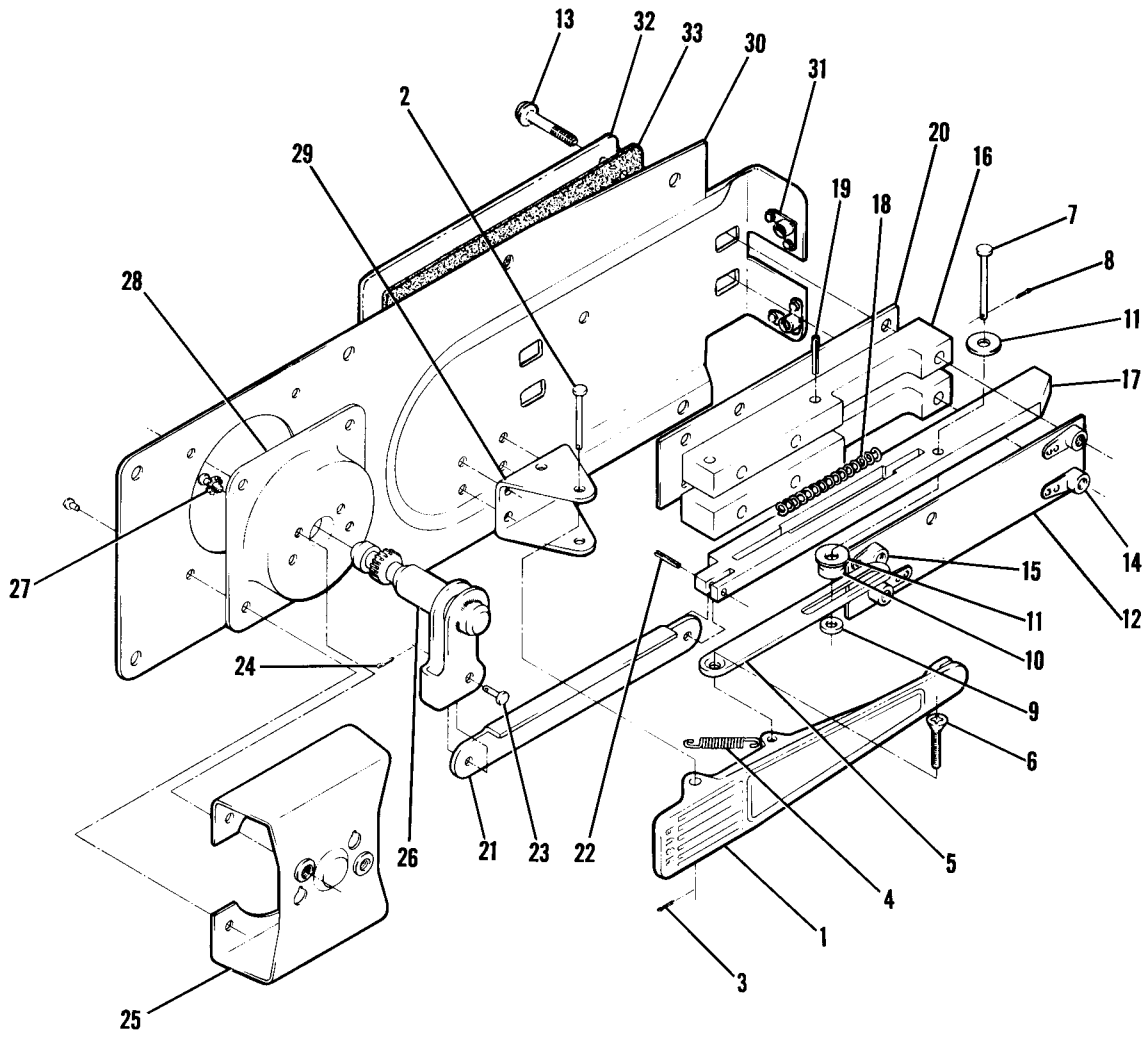


Figure 45. Removable Latch Assembly

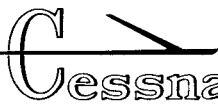
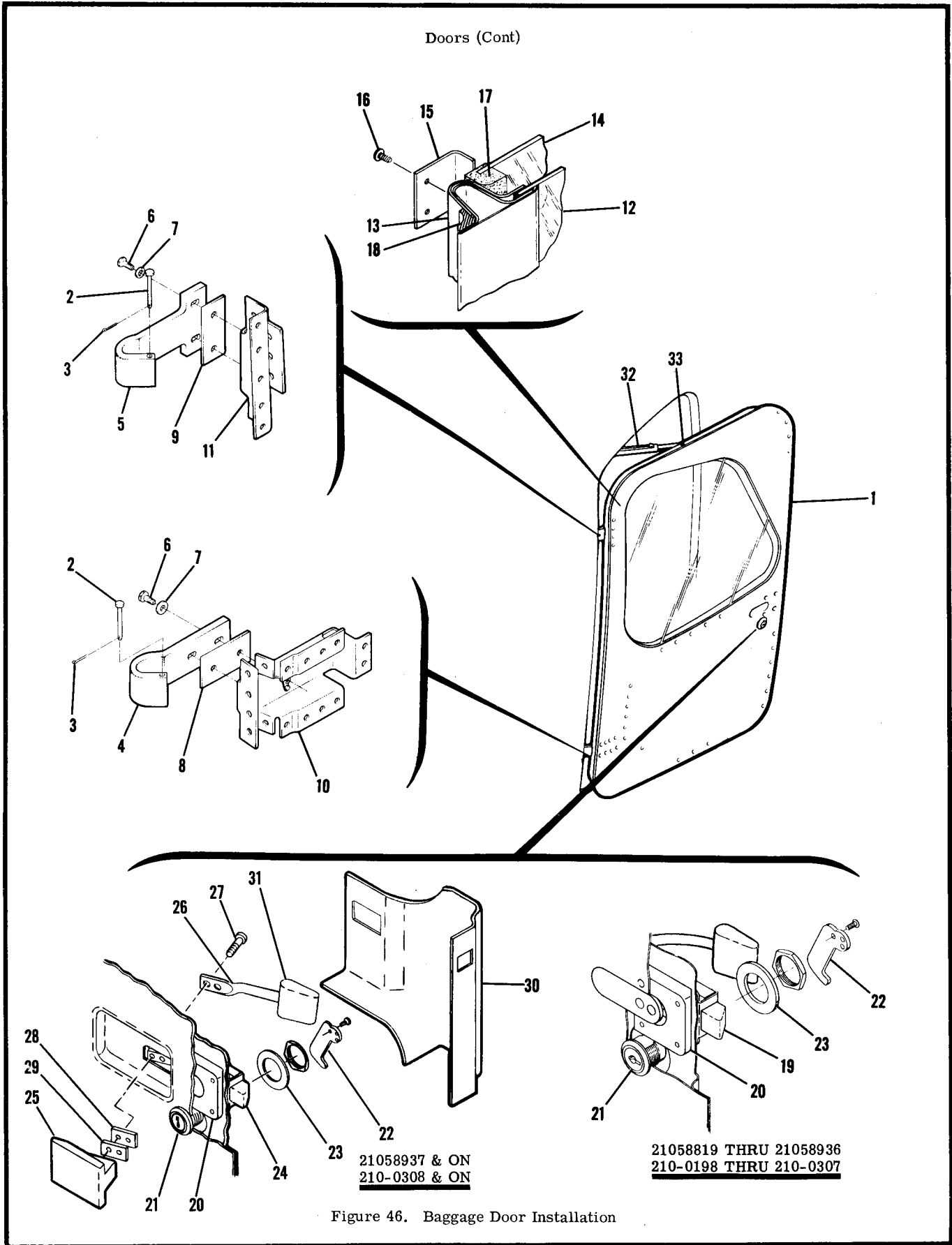


FIGURE AND INDEX NO.	PART NUMBER	DESCRIPTION	UNITS PER ASSY	USABLE ON CODE
45 -	1511205-12	REMOVABLE LATCH ASSEMBLY-RH -----	1	A
	1511205-14	REMOVABLE LATCH ASSEMBLY-RH -----	1	B
	1511205-11	REMOVABLE LATCH ASSEMBLY-LH -----	1	A
- 1	1511205-13	REMOVABLE LATCH ASSEMBLY-LH -----	1	B
	0711653-3	HANDLE-DOOR OUTSIDE -----	1	A
	1217005-2	HANDLE-DOOR OUTSIDE -----	1	B
		ATTACHING PARTS		
- 2	MS20392-1C33	PIN -----	1	
- 3	MS24665-132	PIN-COTTER -----	1	
		-----*		
- 4	0711016-1	SPRING-DOOR HANDLE -----	1	
- 5	1511209-12	PULL BAR-DOOR HANDLE -----	1	
		ATTACHING PARTS		
- 6	AN507-632R12	SCREW -----	1	
- 7	MS20392-2C45	PIN -----	1	
- 8	MS24665-132	PIN-COTTER -----	1	
- 9	AN960D10L	WASHER -----	1	
-10	NAS43D03-12	SPACER -----	1	
-11	1511209-8	WASHER -----	2	
		-----*		
-12	1511206-20	BOLT GUIDE-TOP -----	1	
		ATTACHING PARTS		
-13	AN525-10R18	SCREW -----	4	
		-----*		
-14	NAS682A3	NUTPLATE -----	3	
-15	NAS698A3	NUTPLATE -----	1	
-16	1511206-11	BOLT GUIDE-SIDE -----	2	
-17	1511206-13	BOLT ASSEMBLY-LH -----	1	
	1511206-14	BOLT ASSEMBLY-RH -----	1	
		ATTACHING PARTS		
-18	1511207-1	SPRING -----	1	
-19	NAS561P4-15	ROLL PIN -----	2	
		-----*		
-20	1511206-4	BOLT GUIDE-BASE -----	1	
-21	1511209-10	PUSH ROD-LH -----	1	
	1511209-11	PUSH ROD-RH -----	1	
		ATTACHING PARTS		
-22	NAS561P4-6	ROLL PIN -----	1	
-23	MS20392-1C7	PIN -----	1	
-24	MS24665-132	PIN-COTTER -----	1	
		-----*		
-25	0711063-6	BRACKET ASSEMBLY -----	1	
-26	1511212-1	SHAFT ASSEMBLY-RH -----	1	
	1511212-3	SHAFT ASSEMBLY-LH -----	1	
-27	AN520-10R9	SCREW -----	2	
-28	0413195-5	PLATE ASSEMBLY -----	1	
-29	1511209-1	BRACKET -----	1	
-30	1511208-12	PLATE ASSEMBLY-LH -----	1	
	1511208-13	PLATE ASSEMBLY-RH -----	1	
-31	NAS698A08K	NUTPLATE -----	2	
-32	1511208-16	SHIM -----	1	
-33	1511208-17	SHIM-BACKING -----	1	
<p>A---210 SERIAL 21058819 THRU 21058936 T210 SERIAL T210-0198 THRU T210-0307 B---210 SERIAL 21058937 & ON T210 SERIAL T210-0308 & ON</p>				

Doors (Cont)



21058937 & ON
210-0308 & ON

21058819 THRU 21058936
210-0198 THRU 210-0307

Figure 46. Baggage Door Installation

FIGURE AND INDEX NO.	PART NUMBER	DESCRIPTION	UNITS PER ASSY	USABLE ON CODE
46 -		1 2 3 4 5 6 7 BAGGAGE DOOR INSTALLATION -----	NP	
- 1	1211448-200	DOOR ASSEMBLY-BAGGAGE -----	1	A
	1211448-201	DOOR ASSEMBLY-BAGGAGE -----	1	B
		ATTACHING PARTS -----		
- 2	MS20392-1C39	PIN -----	2	
- 3	MS24665-151	PIN-COTTER -----	2	
		-----*		
- 4	1211063-2	HINGE-BAGGAGE DOOR LOWER -----	1	
- 5	1211063-1	HINGE-BAGGAGE DOOR UPPER -----	1	
		ATTACHING PARTS -----		
- 6	AN3-5A	BOLT -----	2	
- 7	AN960D10	WASHER -----	2	
- 8	1211062-1	SHIM-LOWER -----	AR	
- 9	1211062-2	SHIM-UPPER -----	AR	
		-----*		
-10	1211064-2	SUPPORT ASSEMBLY-LOWER HINGE -----	1	
-11	1211064-1	SUPPORT ASSEMBLY-UPPER HINGE -----	1	
-12	1211448-24	WINDOW-BAGGAGE DOOR CUTER -----	1	
-13	1211448-29	RETAINER-FORWARD -----	1	
	1211448-23	RETAINER-AFT -----	1	
		ATTACHING PARTS -----		
	CR763-4-6	RIVET CR -----	AR	
		-----*		
-14	1211061-47	WINDOW-BAGGAGE DOOR INNER -----	1	
		ATTACHING PARTS -----		
-15	1211061-45	CLIP -----	6	
-16	S1021A4-6	SCREW -----	12	
		-----*		
-17	C811751-1	SEAL-INNER WINDOW-*IN LG BULK ITEM REF 1211061-49 -	1	
-18	S1116-1	SEAL-DOOR 71.76 IN LG BULK ITEM REF S1116-1-71.76 -	1	
-19	S1359-3	LATCH ASSEMBLY -----	1	A
-20	1211448-8	SPACER -----	1	
-21	C253001-0101	LOCK ASSEMBLY -----	1	
-22	0711111-1	CAM -----	1	
-23	AN960D1216	WASHER -----	1	
-24	S1359-5	LATCH ASSEMBLY WHEN EXHAUSTED USE S1359-6 -----	1	C
	S1359-6	LATCH ASSEMBLY -----	1	D
-25	0711705-1	HANDLE -----	1	B
-26	1211252-1	HANDLE -----	1	B
		ATTACHING PARTS -----		
-27	M31AS832R8C	SCREW -----	2	B
-28	0711709-2	SHIM -----	1	B
-29	0711709-1	SPACER -----	1	B
		-----*		
-30	1200193-37	SEALER -----	1	B
-31	0813526-6	KNOB -----	1	B
-32	1211644-1	SWING STOP & DETENT ASSEMBLY -----	1	
		ATTACHING PARTS -----		
-33	AN525-10R8	SCREW -----	2	
	AN960-10L	WASHER -----	2	
	AN960-10	WASHER -----	2	
		-----*		

NOTE. *LENGTH TO BE ADDED LATER

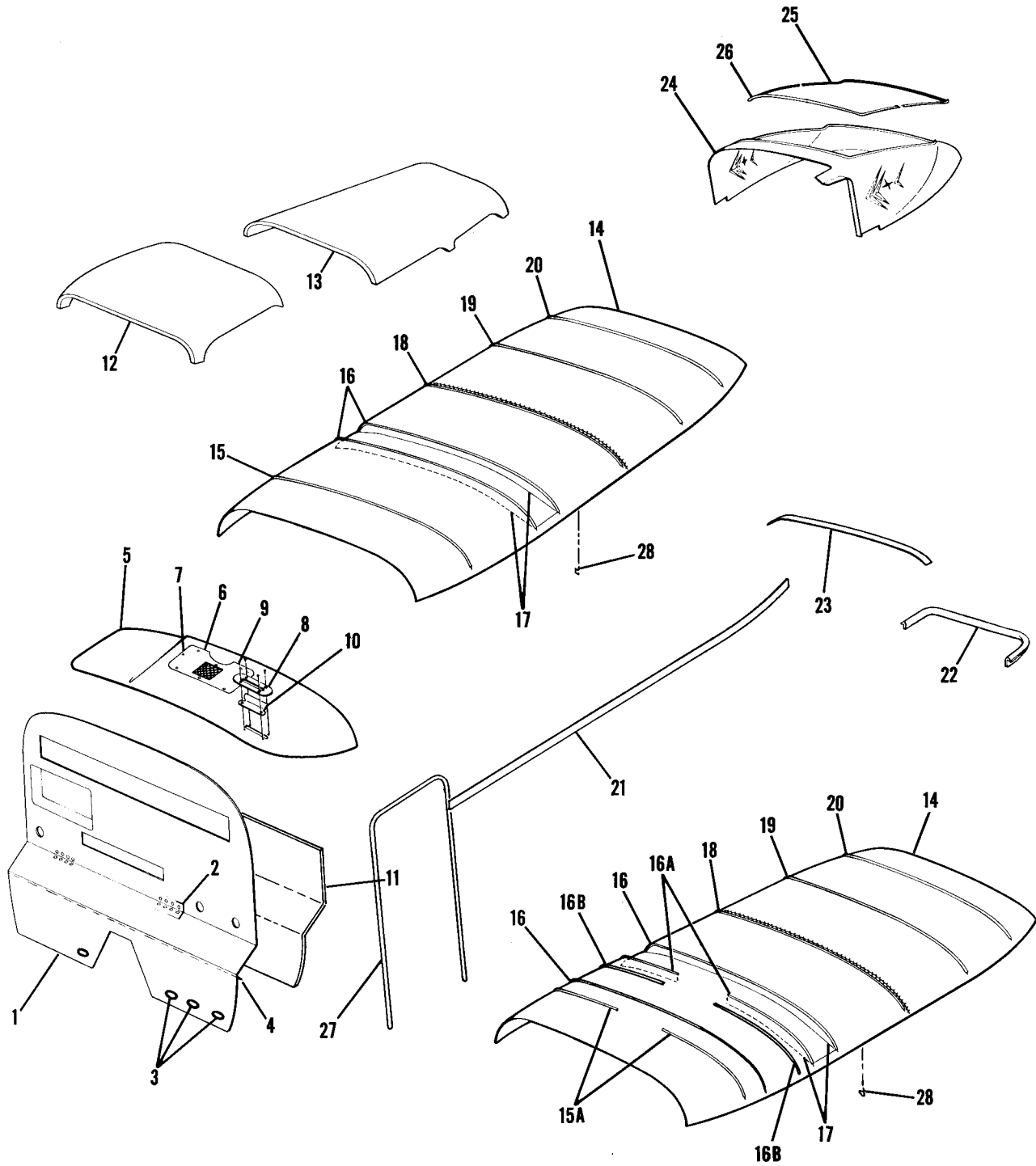
A---210 SERIAL 21058819 THRU 21058936
T210 SERIAL T210-0198 THRU T210-0307

B---210 SERIAL 21058937 & ON
T210 SERIAL T210-0308 & ON

C---210 SERIAL 21058937 THRU 21059067
T210 SERIAL T210-0308 THRU T210-0396

D---210 SERIAL 21059068 & ON
T210 SERIAL T210-0397 & ON

Upholstery (Cont)



21058937 & ON, T210-0308 & ON, THAT ARE EQUIPPED WITH OXYGEN SYSTEM.

Figure 47. Cabin Top, Rear Window & Firewall Upholstery

FIGURE AND INDEX NO.	PART NUMBER		DESCRIPTION	UNITS PER ASSY	USABLE ON CODE
47 -			1 2 3 4 5 6 7		
- 1	1200460-6	#	CABIN TOP, REAR WINDOW & FIREWALL UPHOLSTERY ----- COVER ASSEMBLY-FIREWALL ----- ATTACHING PARTS -----	NP 1	
- 2	1213231-1		ANGLE -----	2	
	S102128-8		SCREW -----	8	
- 3	AN227-13B		STUD ----- -----*	4	
- 4	1200460-14		WIRE -----	1	
- 5	1200675-10	□	COVER ASSEMBLY-DECK -----	1	C
- 6	C713847-6	□	COVER ASSEMBLY-INSPECTION OPENING ----- ATTACHING PARTS -----	1	C
- 7	S1021210-8B		SCREW ----- -----*	8	C
- 8	0713046	□	DEFROST RETAINER ----- ATTACHING PARTS -----	1	
- 9	S102124-6B		SCREW ----- -----*	4	
-10	1213090-1		DEFROST DEFLECTOR -----	1	
-11	1200454-36	#	CARPET ASSEMBLY-FIREWALL -----	1	
-12	1200467-2		SCUNDPROOFING-CABIN TOP FWD -----	1	A
	SEE FIG 51A		SCUNDPROOFING-CABIN TOP FWD -----	1	B
-13	1200467-3		SCUNDPROOFING-CABIN TOP AFT -----	1	A
	SEE FIG 51A		SCUNDPROOFING-CABIN TOP FWD -----	1	B
-14	1200535-200	#	HEADLINER ASSEMBLY-CABIN -----	1	
	1200535-201	#	HEADLINER ASSEMBLY-CABIN USED WITH OXYGEN SYSTEM ONLY -----	1	B
	0511001-150		ZIPPER -----	1	
-15	1200535-35		WIRE-HEADLINER -----	1	
-15A	1200535-54		WIRE-HEADLINER USED WITH OXYGEN SYSTEM ONLY -----	2	B
-16	1200535-44		TUBE-HEADLINER BOW -----	2	
-16A	1200535-52		TUBE-HEADLINER USED WITH OXYGEN SYSTEM ONLY -----	2	B
-16B	1200535-53		TUBE-HEADLINER USED WITH OXYGEN SYSTEM ONLY -----	2	B
-17	1200535-45		TUBE-HEADLINER BOW -----	2	
-18	1200535-38		WIRE-HEADLINER -----	1	
-19	1200535-39		WIRE-HEADLINER -----	1	
-20	1200535-40		WIRE-HEADLINER ----- ATTACHING PARTS -----	1	
	S102124-6		SCREW ATTACH ONE WIRE ----- -----*	2	
-21	1200454-16		MCULding STRIP -----	2	
-22	1200535-11		TRIM STRIP AFT -----	1	
-23	1200535-24		TRIM STRIP -----	1	
-24	1200535-19		MCULding ASSEMBLY-REAR WINDOW -----	1	A
	1200535-48	□	MCULding ASSEMBLY-REAR WINDOW -----	1	B
-25	1200535-16		EDGING-REAR WINDOW LOWER -----	1	
-26	1200535-46		EDGING-REAR WINDOW UPPER -----	1	
-27	C700668-5	#	WINDLACE ASSEMBLY -----	2	
-28	S1430-1		HOOK-COAT HANGER -----	2	
<p>NOTE. #THIS PART NUMBER MUST HAVE A SECOND DASH NUMBER ADDED TO DENOTE COLOR. REFER TO HOW TO ORDER UPHOLSTERED PARTS-PAGE VII.</p> <p>NOTE. □THIS PART NUMBER MUST HAVE A SECOND DASH NUMBER ADDED TO DENOTE COLOR. REFER TO HOW TO ORDER INTERIOR PARTS-PAGE VI.</p> <p>A---210 SERIAL 21058819 THRU 21058936 T210 SERIAL T210-0198 THRU T210-0307</p> <p>B---210 SERIAL 21058937 & ON T210 SERIAL T210-0308 & ON</p> <p>C---210 SERIAL 21058819 THRU 21059061 T210 SERIAL T210-0198 THRU T210-0392</p>					

Upholstery (Cont)

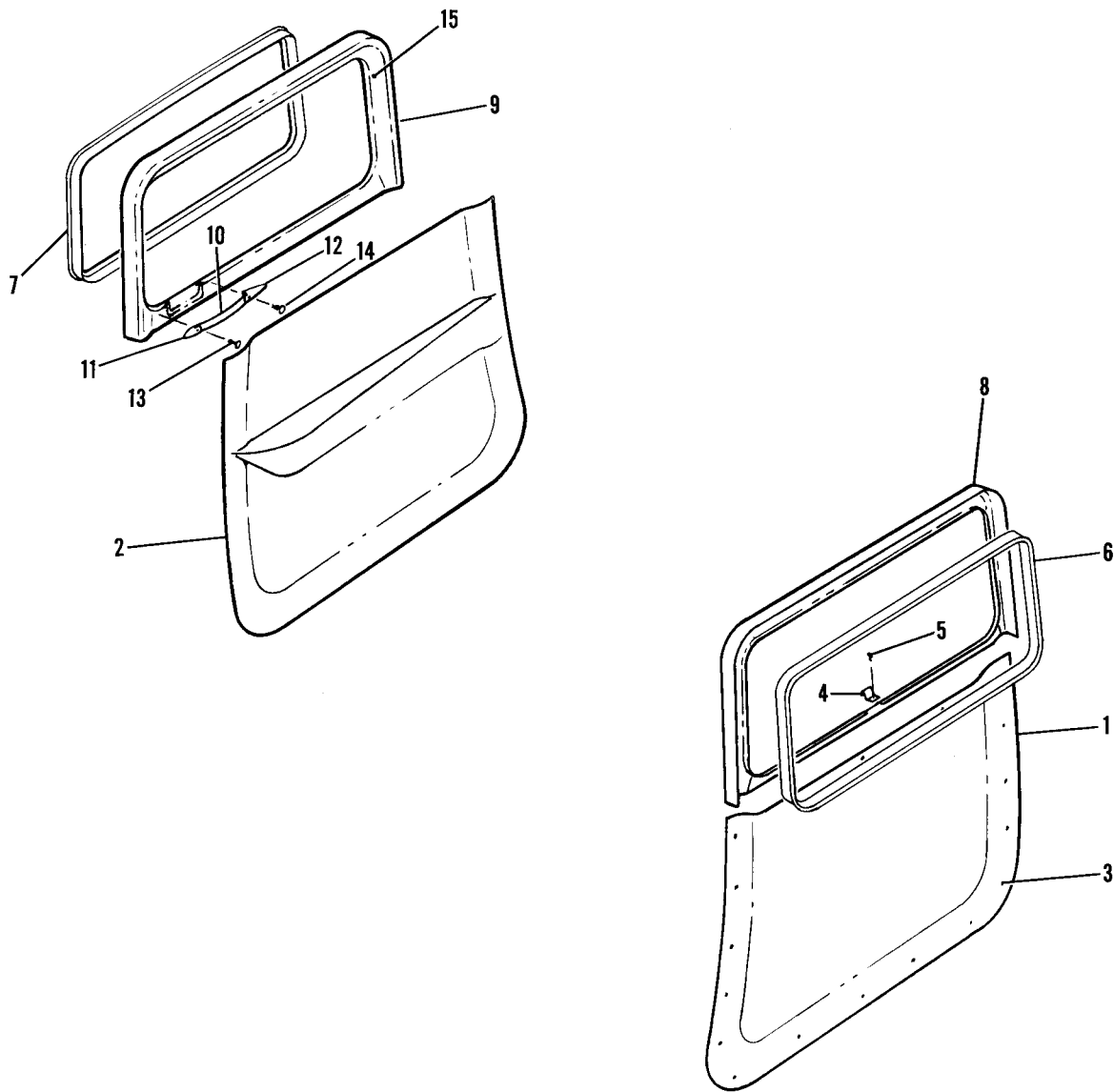


Figure 48. Cabin Door Upholstery Installation

FIGURE AND INDEX NO.	PART NUMBER		DESCRIPTION	UNITS PER ASSY	USABLE ON CODE
			1 2 3 4 5 6 7		
48 -			CABIN DOOR UPHOLSTERY INSTALLATION -----	NP	
- 1	1200523-33	#	PANEL ASSEMBLY-DOOR TRIM LH -----	1	A
	1200556-3	#	PANEL ASSEMBLY-DOOR TRIM LH -----	1	B
	1200561-3	#	PANEL ASSEMBLY-DOOR TRIM LH -----	1	C
- 2	1200523-34	#	PANEL ASSEMBLY-DOOR TRIM RH -----	1	A
	1200556-4	#	PANEL ASSEMBLY-DOOR TRIM RH -----	1	B
	1200561-4	#	PANEL ASSEMBLY-DOOR TRIM RH -----	1	C
- 3	807		CLIP-TRIM AUV -----	21	
- 4	0700685-1		PLATE-STRIKER -----	1	
			ATTACHING PARTS		
- 5	S102178-8		SCREW -----	2	
			---*---		
- 6	1200535-27		EDGING-LH DOOR MOULDING -----	1	
- 7	1200535-26		EDGING-RH DOOR MOULDING -----	1	
- 8	1200535-43	□	MOULDING-DOOR LH -----	1	
- 9	1200535-6	□	MOULDING-DOOR RH -----	1	
-10	1200545-4	#	HANDLE ASSEMBLY-DOOR PULL -----	1	
			ATTACHING PARTS		
-11	1200543-1		SUPPORT-DOOR PULL FORWARD -----	1	
-12	1200543-2		SUPPORT-DOOR PULL AFT -----	1	
-13	NAS388-10-18P		SCREW -----	1	
-14	NAS388-10-16P		SCREW -----	1	
			---*---		
-15	S102174-6		SCREW -----	10	
<p>NOTE. #THIS PART NUMBER MUST HAVE A SECOND DASH NUMBER ADDED TO DENOTE COLOR REFER TO HOW TO ORDER UPHOLSTERED PARTS-PAGE VII.</p> <p>NOTE. □THIS PART NUMBER MUST HAVE A SECOND DASH NUMBER ADDED TO DENOTE COLOR. REFER TO HOW TO ORDER INTERIOR PARTS-PAGE VI.</p> <p>A---210 SERIAL 21058819 THRU 21058936 T210 SERIAL T210-0198 THRU T210-0307</p> <p>B---210 SERIAL 21058937 THRU 21059061 T210 SERIAL T210-0308 THRU T210-0392</p> <p>C---210 SERIAL 21059062 & ON T210 SERIAL T210-0393 & ON</p>					

Upholstery (Cont)

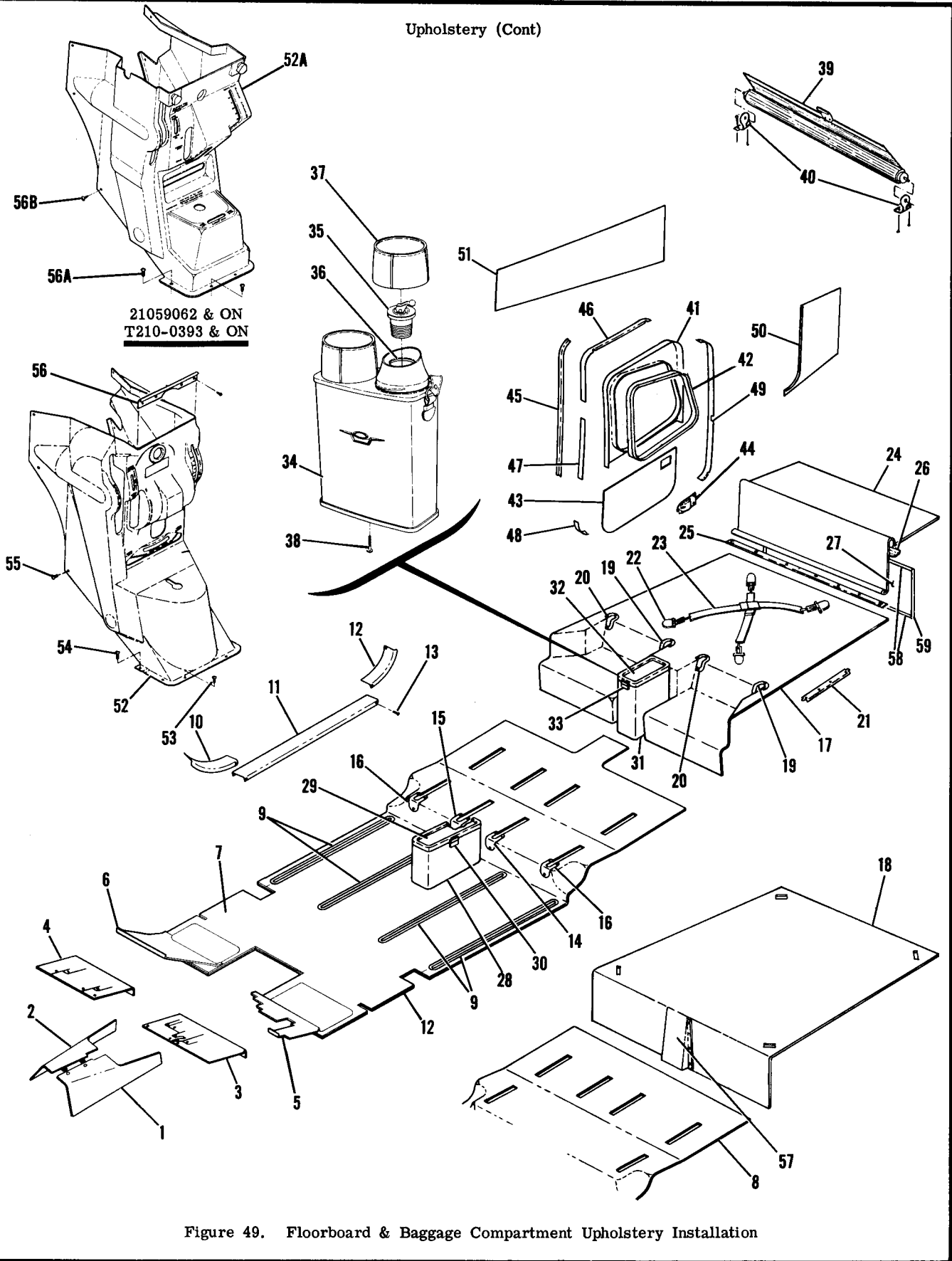


FIGURE AND INDEX NO.	PART NUMBER		DESCRIPTION	UNITS PER ASSY	USABLE ON CODE
			1 2 3 4 5 6 7		
49 -			FLOORBOARD AND BAGGAGE COMPARTMENT UPHOLSTERY INSTALLATION ----	NP	
- 1	1200460-15	#	CARPET ASSEMBLY-TUNNEL FWD LH -----	1	
- 2	1200460-16	#	CARPET ASSEMBLY-TUNNEL FWD RH -----	1	
- 3	1200460-21	#	CARPET ASSEMBLY-RUDDER BAR LH SINGLE CONTROLS -----	1	
- 4	1200460-20	#	CARPET ASSEMBLY-RUDDER BAR RH DUAL CONTROLS -----	1	
	1200647-2	#	CARPET ASSEMBLY-RUDDER BAR RH SINGLE CONTROLS -----	1	
			ATTACHING PARTS		
	S1021Z8-10		SCREW USE WITH 1200647-2 ONLY -----	4	
	NAS446-4-3		NUT USE WITH 1200647-2 ONLY -----	4	
			---*---		
- 5	1213473-1		SHIELD-RUDDER BAR LH -----	1	
- 6	1213473-2		SHIELD-RUDDER BAR RH DUAL CONTROLS -----	1	
	1200646-1		COVER-RUDDER BAR RH SINGLE CONTROLS -----	1	
- 7	1200535-42	#	CARPET ASSEMBLY-FWD STANDARD 6 PLACE -----	1	
- 8	1200712-12	#	CARPET ASSEMBLY-FWD DELUXE 4 PLACE -----	1	
- 9	1200444-1		ESCUTCHEON -----	4	
			ATTACHING PARTS		
	S1021Z6-12C		SCREW -----	8	
			---*---		
-10	1200507-2		SCUFF PLATE-DOOR RH -----	1	
	1200507-1		SCUFF PLATE-DOOR LH -----	1	
-11	1200506-3		SCUFF PLATE-DOOR -----	2	
-12	1200507-4		SCUFF PLATE-DOOR RH -----	1	
	1200507-3		SCUFF PLATE-DOOR LH -----	1	
-13	S1021Z6-8		SCREW -----	12	
-14	1200444-5		ESCUTCHEON USED ON STANDARD 6 PLACE ONLY -----	1	
-15	1200444-6		ESCUTCHEON USED ON STANDARD 6 PLACE ONLY -----	1	
-16	1200444-7		ESCUTCHEON USED ON STANDARD 6 PLACE ONLY -----	2	
			ATTACHING PARTS		
	S1023A4-10C		SCREW -----	3	
			---*---		
-17	1200535-3	#	CARPET-AFT USED ON STANDARD 6 PLACE ONLY -----	1	
-18	1200712-9	#	CARPET-AFT USED ON DELUXE 4 PLACE ONLY -----	1	
-19	1200444-2		ESCUTCHEON USED ON STANDARD 6 PLACE ONLY -----	2	
-20	1200444-3		ESCUTCHEON USED ON STANDARD 6 PLACE ONLY -----	2	
			ATTACHING PARTS		
	S1023A6-10C		SCREW -----	3	
			---*---		
-21	1200444-4		SCUFF PLATE-BAGGAGE DOOR -----	1	
			ATTACHING PARTS		
	S1023A6-10C		SCREW -----	4	
			---*---		
-22	0711083-1		LATCH ASSEMBLY -----	4	
			ATTACHING PARTS		
	AN3-5A		BOLT -----	4	
			---*---		
-23	S1504-3		BELT ASSEMBLY-CARGO TIE DOWN -----	2	
-24	1200523-20	#	PANEL ASSEMBLY-REAR WALL TRIM -----	1	E
	1200561-23	#	PANEL ASSEMBLY-REAR WALL TRIM -----	1	D
-25	1200541-2		RETAINER -----	1	
			ATTACHING PARTS		
	S1021Z4-4		SCREW -----	6	
			---*---		
-26	1200541-1		RETAINER -----	1	
			ATTACHING PARTS		
	807		CLIP AUV -----	6	
			---*---		
-27	1200716-1		COVER-REAR WALL -----	1	
			ATTACHING PARTS		
	S1021Z6-8		SCREW -----	16	
			---*---		
-28	1200515-7		CABINET ASSEMBLY-AFT CONSOLE -----	1	
			ATTACHING PARTS		
	1200519-1		BOLT ASSEMBLY -----	2	
	AN970-3		WASHER -----	2	
			---*---		
-29	1200515-2		DOOR ASSEMBLY -----	1	
			ATTACHING PARTS		
	MS20253-2-2.65		PIN-HINGE -----	1	
			---*---		
-30	1200516-8		CATCH-LOWER HALF -----	1	
	1200516-12		HINGE HALF-LOWER -----	2	

CONTINUED ON NEXT PAGE

FIGURE AND INDEX NO.	PART NUMBER	DESCRIPTION	UNITS PER ASSY	USABLE ON CODE
49 -31	12C0516-10	CABINET ASSEMBLY-FOOD & BEVERAGE CONSOLE ----- ATTACHING PARTS -----	1	
	1200519-1	BOLT ASSEMBLY -----	2	
	AN970-3	WASHER ----- ---*---	2	
-32	12C0516-3	DOOR ASSEMBLY ----- ATTACHING PARTS -----	1	
	MS20253-2-2.65	PIN-HINGE ----- ---*---	1	
-33	12C0516-8	CATCH-LOWER HALF -----	1	
	12C0516-12	HINGE HALF-LOWER -----	1	
-34	C733001-0101	TWIN PACK ASSEMBLY-BEVERAGE -----	1	
-35	C733001-0103	STOPPER -----	2	
-36	01	FILLER LFC -----	2	
-37	1195-0061	CAP LFC -----	2	
-38	S1021A10-16	SCREW -----	1	
-39	0700707-11	CURTAIN ASSEMBLY-ROLLER ----- ATTACHING PARTS -----	1	
-40	12C0612-5	BRACKET KIT CONTAINS 2 BRACKETS -----	1	
	S1021A4-6	SCREW ----- ---*---	4	
-41	12C0535-9	□ MULDING-BAGGAGE DOOR WINDING -----	1	
-42	12C0535-31	EDGING-BAGGAGE DOOR MULDING -----	1	
-43	12C0553-9	# PANEL ASSEMBLY-BAGGAGE DOOR -----	1	A
	12C0556-9	# PANEL ASSEMBLY-BAGGAGE DOOR -----	1	B
	12C0561-9	# PANEL ASSEMBLY-BAGGAGE DOOR -----	1	C
-44	12C0454-28	□ COVER-BAGGAGE DOOR LATCH -----	1	
-45	12C0454-31	# WINDLACE ASSEMBLY-BAGGAGE DOOR -----	1	
-46	12C0454-32	RETAINER-WINDLACE UPPER -----	1	
-47	12C0454-94	RETAINER-WINDLACE FORWARD -----	1	
-48	12C0454-34	RETAINER-WINDLACE LOWER -----	1	
-49	12C0454-35	RETAINER-WINDLACE AFT -----	1	
-50	12C0523-7	# PANEL ASSEMBLY-LH AFT -----	1	A
	12C0556-7	# PANEL ASSEMBLY-LH AFT -----	1	B
	12C0561-7	# PANEL ASSEMBLY-LH AFT -----	1	C
-51	12C0553-8	# PANEL ASSEMBLY-RH AFT -----	1	A
	12C0556-8	# PANEL ASSEMBLY-RH AFT -----	1	B
	12C0561-8	# PANEL ASSEMBLY-RH AFT -----	1	C
-52	1213434-6	□ COVER ASSEMBLY-PEDESTAL -----	1	A
	12C0756-5	□ COVER ASSEMBLY-PEDESTAL -----	1	B
	12C0756-8	□ COVER ASSEMBLY-PEDESTAL ELECTRIC TRIM -----	1	B
-52A	1213180-2	□ COVER ASSEMBLY-PEDESTAL ----- ATTACHING PARTS -----	1	C
-53	NAS220-8	SCREW -----	4	D
-54	NAS220-10	SCREW -----	2	D
-55	S1021A8-8	SCREW -----	6	D
-56	1213434-3	RETAINER -----	1	D
	S1021A4-6	SCREW -----	4	D
-56A	NAS220-8	SCREW -----	2	C
-56B	S1021Z8-8	SCREW ----- ---*---	8	C
	SEE FIG 60	PANEL LIGHT-TAB MOUNT -----	2	
-57	12C0712-7	# COVER ASSEMBLY-CONTROL CABLES DELUXE 4 PLACE ONLY -----	1	
-58	S1047-1	SEAL-33.0 IN LG BULK ITEM REF S1047-1-33.0 -----	2	
-59	S1047-1	SEAL-10.0 IN LG BULK ITEM REF S1047-1-10.0 -----	2	

NOTE. □ THIS PART NUMBER MUST HAVE A SECOND DASH NUMBER ADDED TO DENOTE COLOR. REFER TO HOW TO ORDER INTERIOR PARTS-PAGE VI.

NOTE. # THIS PART NUMBER MUST HAVE A SECOND DASH NUMBER ADDED TO DENOTE COLOR. REFER TO HOW TO ORDER UPHOLSTERED PARTS-PAGE VII.

NOTE. † FOR USE ON ALL AIRPLANES THAT ARE EQUIPPED WITH POST LIGHTED PEDESTALS, EXCEPT AIRPLANES EQUIPPED WITH ELECTRIC TRIM

- A---210 SERIAL 21058819 THRU 21058936
T210 SERIAL T210-0198 THRU T210-0307
- B---210 SERIAL 21058937 THRU 21059061
T210 SERIAL T210-0308 THRU T210-0392
- C---210 SERIAL 21059062 & ON
T210 SERIAL T210-0393 & ON
- D---210 SERIAL 21058819 THRU 21059061
T210 SERIAL T210-0198 THRU T210-0392



FIGURE AND INDEX NO.	PART NUMBER	DESCRIPTION	UNITS PER ASSY	USABLE ON CODE
1 2 3 4 5 6 7				
50 -		CABIN SIDE PANELS UPHOLSTERY INSTALLATION -----	NP	
- 1	1200523-29 #	PANEL ASSEMBLY-SIDEWALL FWD LH -----	1	A
	1200556-1 #	PANEL ASSEMBLY-SIDEWALL FWD LH -----	1	E
	1200561-1 #	PANEL ASSEMBLY-SIDE WALL FWD LH -----	1	D
- 2	1200523-30 #	PANEL ASSEMBLY-SIDEWALL FWD RH -----	1	A
	1200556-2 #	PANEL ASSEMBLY-SIDEWALL FWD RH -----	1	E
	1200561-2 #	PANEL ASSEMBLY-SIDEWALL FWD RH -----	1	D
- 3	0411030-6	ASH RECEIVER ASSEMBLY -----	2	D
	0411030-5	RETAINER-ASH RECEIVER -----	2	D
		ATTACHING PARTS		
	S1021Z-4-8	SCREW -----	2	
	NAS446-1-3	NUT -----	2	D
		-----*		
- 4	1200084-22 □	RETAINER-CABIN AIR VENT RH -----	1	
	1200084-21 □	RETAINER-CABIN AIR VENT LH -----	1	
		ATTACHING PARTS		
- 5	S1021Z4-6	SCREW -----	4	
		-----*		
- 6	1200736-3 □	SHIELD-DOORPOST LH -----	1	A
	1200736-7 □	SHIELD-DOORPOST LH -----	1	E
	1200535-59 □	SHIELD-DOORPOST LH -----	1	D
CONTINUED ON NEXT PAGE				

Upholstery (Cont)

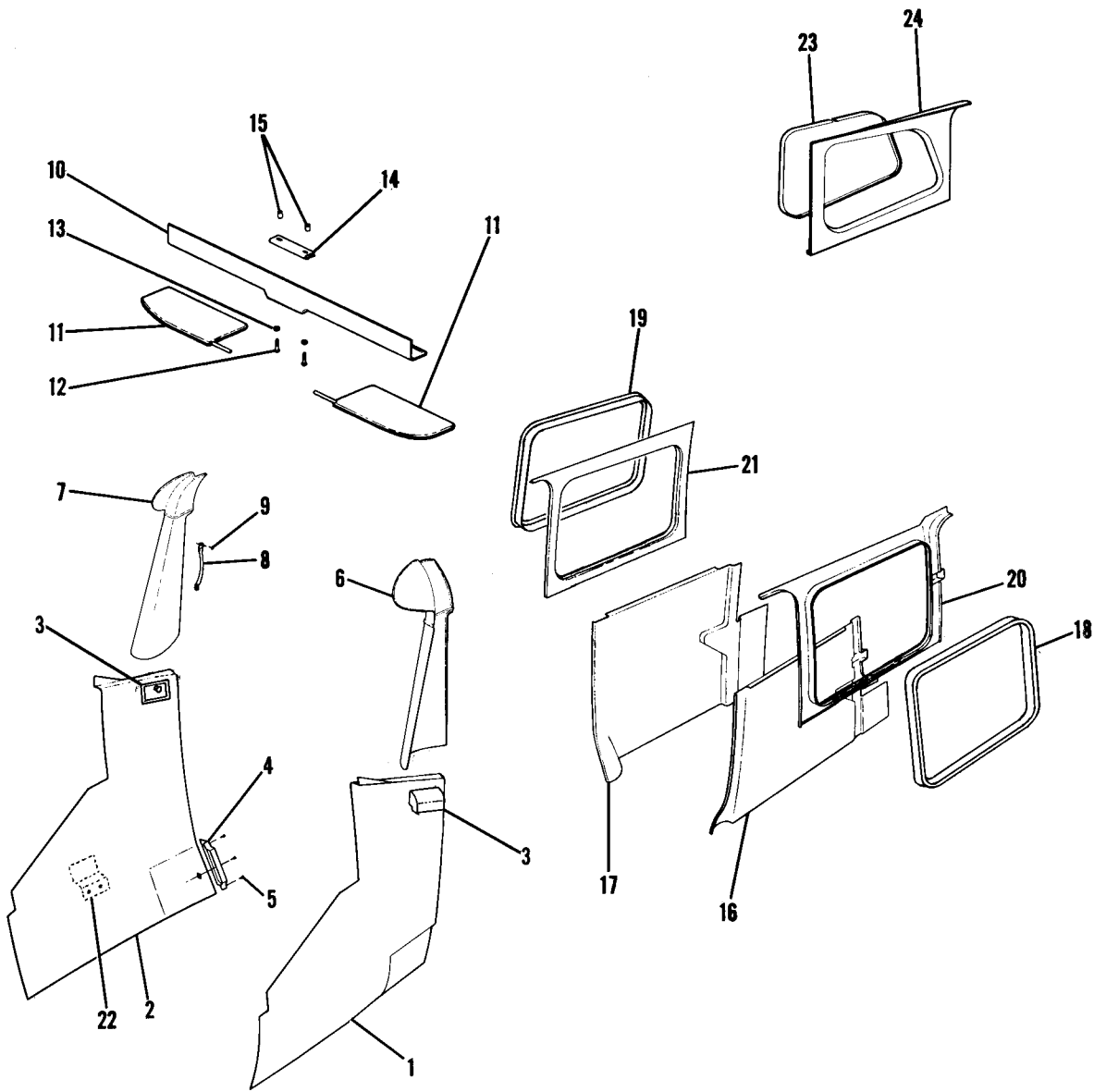


Figure 50. Cabin Side Panels Upholstery Installation

FIGURE AND INDEX NO.	PART NUMBER		DESCRIPTION	UNITS PER ASSY	USABLE ON CODE
			1 2 3 4 5 6 7		
50 - 7	1200535-22	□	SHIELD-DOORPOST RH -----	1	A
	1200535-50	□	SHIELD-DOORPOST RH -----	1	E
	1200535-58	□	SHIELD-DOORPOST RH -----	1	D
	1200736-4	□	SHIELD-DOORPOST RH USE WITH MAPLIGHT -----	1	A
	1200736-8	□	SHIELD-DOORPOST RH USE WITH MAPLIGHT -----	1	E
- 8	S1362-6		HANDLE ASSEMBLY -----	4	C
	S1362-12		HANDLE ASSEMBLY -----	4	D
			ATTACHING PARTS		
- 9	AN507-1032R12		SCREW -----	2	

-10	1200535-41	□	SHIELD-TRIM -----	1	
-11	1414087-10		VISOR-SUN -----	2	
			ATTACHING PARTS		
-12	AN525-10R16		BGLT -----	2	
-13	AN960-10L		WASHER -----	2	
-14	1414087-5		CLAMP -----	1	
-15	NAS43DD3-14		SPACER -----	2	

-16	1200523-41	#	PANEL ASSEMBLY-CENTER LH STANDARD 6 PLACE ONLY -----	1	A
	1200556-19	#	PANEL ASSEMBLY-CENTER LH STANDARD 6 PLACE ONLY -----	1	E
	1200561-19	#	PANEL ASSEMBLY-CENTER LH STANDARD 6 PLACE ONLY -----	1	D
	1200523-39	#	PANEL ASSEMBLY-CENTER LH DELUXE 4 PLACE ONLY -----	1	A
	1200556-5	#	PANEL ASSEMBLY-CENTER LH DELUXE 4 PLACE ONLY -----	1	E
	1200561-5	#	PANEL ASSEMBLY-CENTER LH DELUXE 4 PLACE ONLY -----	1	D
-17	1200523-42	#	PANEL ASSEMBLY-CENTER RH STANDARD 6 PLACE ONLY -----	1	A
	1200556-20	#	PANEL ASSEMBLY-CENTER RH STANDARD 6 PLACE ONLY -----	1	E
	1200561-20	#	PANEL ASSEMBLY-CENTER RH STANDARD 6 PLACE ONLY -----	1	D
	1200523-40	#	PANEL ASSEMBLY-CENTER RH DELUXE 4 PLACE ONLY -----	1	A
	1200556-6	#	PANEL ASSEMBLY-CENTER RH DELUXE 4 PLACE ONLY -----	1	E
	1200561-6	#	PANEL ASSEMBLY-CENTER RH DELUXE 4 PLACE ONLY -----	1	D
-18	1200535-29		EDGING-SIDE WINDOW LH -----	1	
-19	1200535-28		EDGING-SIDE WINDOW RH -----	1	
-20	1200535-7	□	MOULDING-SIDE WINDOW LH -----	1	
-21	1200535-8	□	MOULDING-SIDE WINDOW RH -----	1	
			ATTACHING PARTS		
	S102124-6		SCREW -----	6	

-22	1200696-1		BRACKET-SIDE PANEL SUPPORT -----	1	
	S1023A4-6C		SCREW -----	1	
-23	1200535-30		EDGING-RH REAR WINDOW -----	1	
-24	1200535-20	□	MOULDING-RH REAR WINDOW -----	1	
			ATTACHING PARTS		
	S102124-6		SCREW -----	7	

<p>NOTE. #THIS PART NUMBER MUST HAVE A SECOND DASH NUMBER ADDED TO DENOTE COLOR. REFER TO HOW TO ORDER UPHOLSTERED PARTS-PAGE VII.</p> <p>NOTE. □THIS PART NUMBER MUST HAVE A SECOND DASH NUMBER ADDED TO DENOTE COLOR. REFER TO HOW TO ORDER INTERIOR PARTS-PAGE VI.</p> <p>A---210 SERIAL 21058819 THRU 21058936 T210 SERIAL T210-0198 THRU T210-0307</p> <p>B---210 SERIAL 21058937 & ON T210 SERIAL T210-0308 & ON</p> <p>C---210 SERIAL 21058819 THRU 21059061 T210 SERIAL T210-0198 THRU T210-0392</p> <p>D---210 SERIAL T21059062 & ON T210 SERIAL T210-0393 & ON</p> <p>E---210 SERIAL 21058937 THRU 21059061 T210 SERIAL T210-0308 THRU T210-0392</p>					

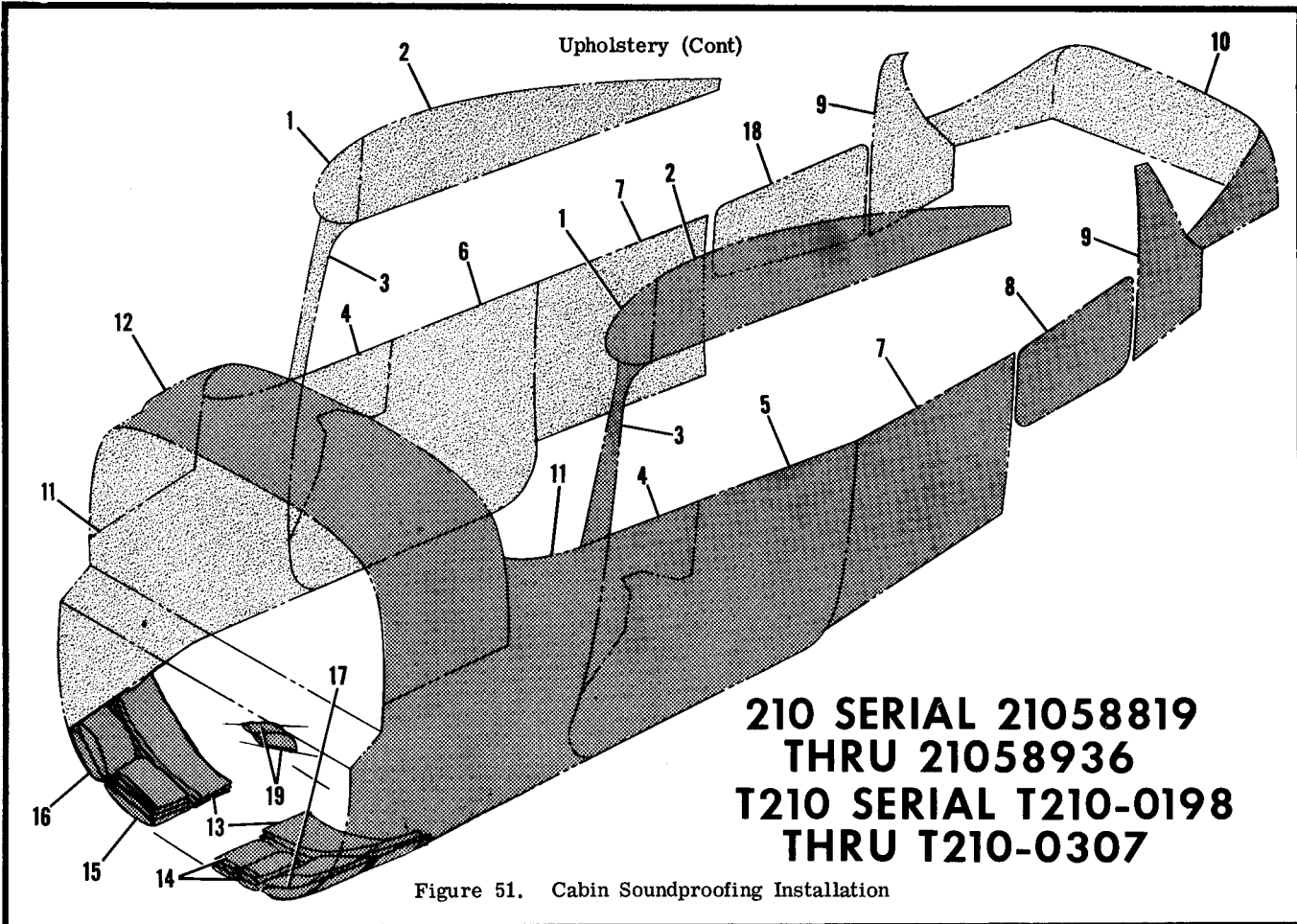
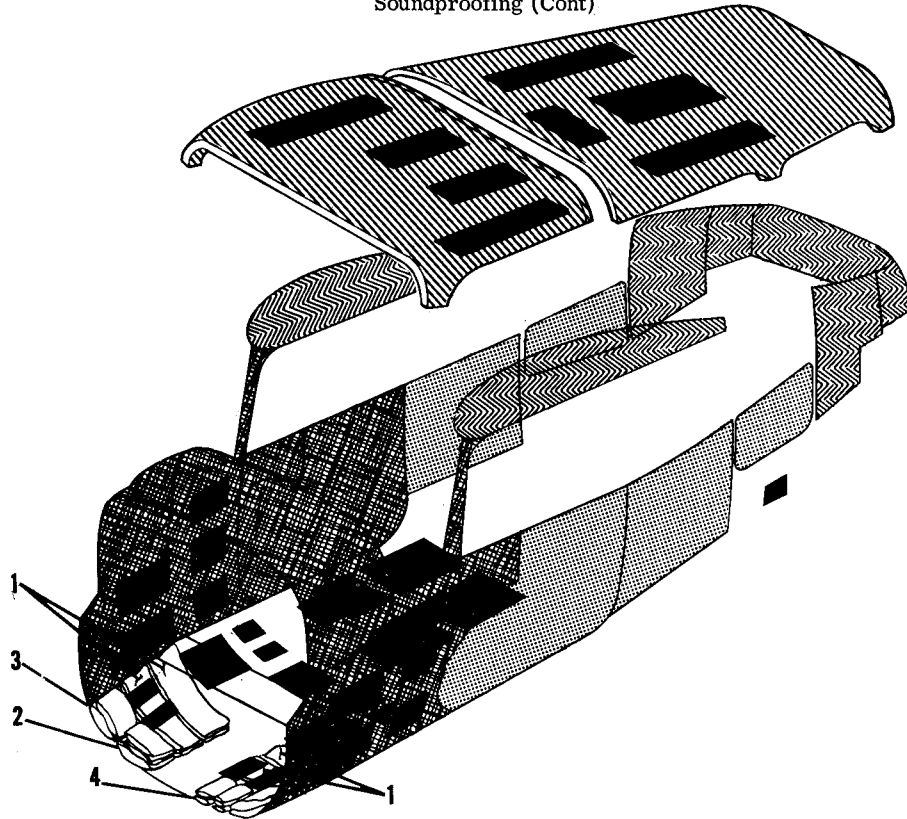


Figure 51. Cabin Soundproofing Installation

FIGURE AND INDEX NO.	PART NUMBER	DESCRIPTION	UNITS PER ASSY	USABLE ON CODE
		1 2 3 4 5 6 7		
51 -		CABIN SOUNDPROOFING INSTALLATION -----	NP	A
- 1	12C0467-14	PANEL ASSEMBLY-SOUNDPROOFING -----	2	
- 2	0700105-396	SCUNDPROOFING-ROOT RIB -----	2	
- 3	12C0467-15	SCUNDPROOFING-DOOR POST -----	2	
- 4	12C0467-16	SCUNDPROOFING-DOOR FILL -----	2	
- 5	12C0467-19	SCUNDPROOFING-DOOR LH -----	1	
- 6	12C0467-20	SCUNDPROOFING-DOOR RH -----	1	
- 7	12C0467-4	SCUNDPROOFING-AFT CABIN SIDE -----	1	
- 8	12C0467-5	SCUNDPROOFING-ASSEMBLY SIDE BAGGAGE COMPARTMENT -----	2	
- 9	12C0467-6	SCUNDPROOFING-REAR WINDOW POST -----	2	
- 10	12C0467-7	SCUNDPROOFING-SHELF WALL -----	2	
- 11	12C0087-15	SCUNDPROOFING-FORWARD SIDE -----	4	
- 12	0511001-131	SCUNDPROOFING-INSTRUMENT PANEL DECK -----	1	
- 13	12C0467-21	BAG-SCUNDPROOFING -----	8	
- 14	12C0467-11	BAG-SCUNDPROOFING -----	6	
- 15	12C0467-9	BAG-SCUNDPROOFING -----	4	
- 16	12C0467-8	BAG-SCUNDPROOFING -----	2	
- 17	12C0467-8	BAG-SCUNDPROOFING -----	2	
- 18	12C0467-27	SCUNDPROOFING ASSEMBLY-BAGGAGE COMPARTMENT SIDE RH -----	1	
- 19	12C0467-11	BAG-SCUNDPROOFING CN TOP OF NOSE WHEEL TUNNEL -----	2	
		A---210 SERIAL 21058819 THRU 21058936 T210 SERIAL T210-0198 THRU T210-0307		

Soundproofing (Cont)



- CES 1109 CLASS IH SOUNDPROOFING-FIBERGLASS (SEE PARTS LISTING)
- CES 1109 CLASS IA SOUNDPROOFING-FIBERGLASS (SEE PARTS LISTING)
- CES 1109 CLASS IC SOUNDPROOFING-FIBERGLASS (SEE PARTS LISTING)
- CES 1109 CLASS IV DAMPING COMPOUND (SEE PARTS LISTING)
- CES 1109 CLASS IK SOUNDPROOFING-FIBERGLASS (SEE PARTS LISTING)

**210 SERIAL 21058937 & ON
T210 SERIAL T210-0308 & ON**

Figure 51A. Cabin Soundproofing Installation

FIGURE AND INDEX NO.	PART NUMBER	DESCRIPTION							UNITS PER ASSY	USABLE ON CODE
		1	2	3	4	5	6	7		
51A-		SOUNDPROOFING INSTALLATION-CABIN -----							NP	A
- 1	1200193-35	BAG-SOUNDPROOFING -----							8	
- 2	1200193-34	BAG-SOUNDPROOFING -----							4	
- 3	1200193-33	BAG-SOUNDPROOFING -----							4	
- 4	1200193-36	BAG-SOUNDPROOFING -----							6	
	CES1109CLASSIH *	SOUNDPROOFING-FIBERGLASS MAT					1 IN. THICK	BULK ITEM --	AR	
	CES1109 CLASSIA*	SOUNDPROOFING-FIBERGLASS MAT					1 IN. THICK	BULK ITEM --	AR	
	CES1109 CLASSIC*	SOUNDPROOFING-FIBERGLASS MAT					1/2 IN. THICK	BULK ITEM	AR	
	CES1109 CLASSIV*	DAMPING COMPOUND					BULK ITEM		AR	
	CES1109 CLASSIK*	SOUNDPROOFING-FIBERGLASS MAT					1 IN. THICK	BULK ITEM --	AR	
NOTE. *GIVE DIMENSIONS WHEN ORDERING.										
A---210 SERIAL 21058937 & ON T210 SERIAL T210-0308 & ON										

This page intentionally left blank.

FIGURE AND INDEX NO.	PART NUMBER	DESCRIPTION	UNITS PER ASSY	USABLE ON CODE
		1 2 3 4 5 6 7		
52 -		PILOT AND CO-PILOT SEAT INSTALLATION -----	NP	
	1200454-52 #	SEAT ASSEMBLY-PILOT & CO-PILOT -----	2	
	1200538-1 #	SEAT ASSEMBLY-PILOT & CO-PILOT-HIGH BACK -----	2	
		ATTACHING PARTS -----		
- 1	0713074-1	STOP-SEAT -----	2	
	MS20392-1C21	PIN -----	2	
	MS24665-151	PIN-COTTER -----	2	
		-----*		
	1200454-200 #	BACK ASSEMBLY-UPHOLSTERED SEAT -----	1	
	1200538-201 #	BACK ASSEMBLY-UPHOLSTERED SEAT-HIGH BACK -----	1	
		ATTACHING PARTS -----		
- 2	AN23-19A	BOLT -----	2	
- 3	NAS43HT3-12	SPACER -----	2	
- 4	1414104-4	BUSHING -----	2	
- 5	0711668-1	BUSHING -----	2	
- 6	0711667-1	SPRING -----	2	
- 7	AN507-832R14	SCREW -----	2	
- 8	NAS679A08	NUT -----	2	
- 9	AN960-10L	WASHER -----	2	
-10	22K-02	NUT EN -----	2	
		-----*		
-11	1414230-1	CAM-SEAT BACK -----	2	
-12	1200454-54 #	COVER-SEAT BACK -----	1	
	1200538-5 #	COVER-HIGH SEAT BACK -----	1	
-13	1414100-9	CUSHION-SEAT BACK -----	1	
	1200538-7	CUSHION-HIGH SEAT BACK -----	1	
-14	1414110-29	TRIM ASSEMBLY-SEAT BACK -----	1	
	1200527-4	TRIM ASSEMBLY-HIGH SEAT BACK -----	1	
		ATTACHING PARTS -----		
-15	S1021Z6-4	SCREW -----	3	
		-----*		
-16	1414110-30	POCKET ASSEMBLY-MAGAZINE -----	1	
-17	1200538-2 #	POCKET ASSEMBLY-HIGH BACK SEAT -----	1	
		ATTACHING PARTS -----		
	1414045-1	SPRING -----	1	
		-----*		
-18	1200454-202 #	BOTTOM ASSEMBLY-SEAT -----	1	
	1200538-200 #	BOTTOM ASSEMBLY-HIGH BACK SEAT -----	1	
	1200454-53 #	COVER-SEAT BOTTOM -----	1	
	1200538-4 #	COVER-HIGH BACK SEAT BOTTOM -----	1	
-19	1414100-8	CUSHION-SEAT BOTTOM -----	1	
-20	1414217-7	RETAINER-SEAT BOTTOM -----	1	
-21	1414217-3	RETAINER-SEAT BOTTOM -----	1	
-22	S1021Z6-4	SCREW -----	14	
-23	AN23-15A	BOLT-SEAT BACK STOP -----	2	
	NAS679A3	NUT -----	2	
-24	1414103-2	LEG ASSEMBLY-FORWARD LH -----	1	
-25	1414103-45	LEG ASSEMBLY-FORWARD RH -----	1	
-26	1414103-6	LEG-AFT -----	2	
		ATTACHING PARTS -----		
-27	AN24-13	BOLT-FORWARD LEG -----	2	
-28	AN24-13	BOLT-AFT LEG -----	1	
-29	AN24-16	BOLT-AFT LEG -----	1	
	AN936A416	WASHER -----	2	
-30	AN936A616	WASHER -----	2	
-31	1414112-1	NUT -----	2	
		-----*		
-32	1414104-39	HOUSING-SEAT ROLLER FWD LH -----	1	
-33	1414104-40	HOUSING-SEAT ROLLER FWD RH -----	1	
-34	1414104-41	HOUSING-SEAT ROLLER AFT LH -----	1	
	1414104-42	HOUSING-SEAT ROLLER AFT RH -----	1	
-35	1414100-212	KIT-SEAT ROLLER -----	4	
		ATTACHING PARTS -----		
-36	AN23-19A	BOLT -----	1	
-37	AN960-10L	WASHER -----	1	
-38	22K2-02	NUT EN -----	1	
		-----*		
-39	1200504-1	HANDLE-SEAT ADJUSTMENT -----	1	
		ATTACHING PARTS -----		
-40	MS20392-2C43	PIN -----	1	
	MS24665-132	PIN-COTTER -----	1	
		-----*		

CONTINUED ON NEXT PAGE

Seats

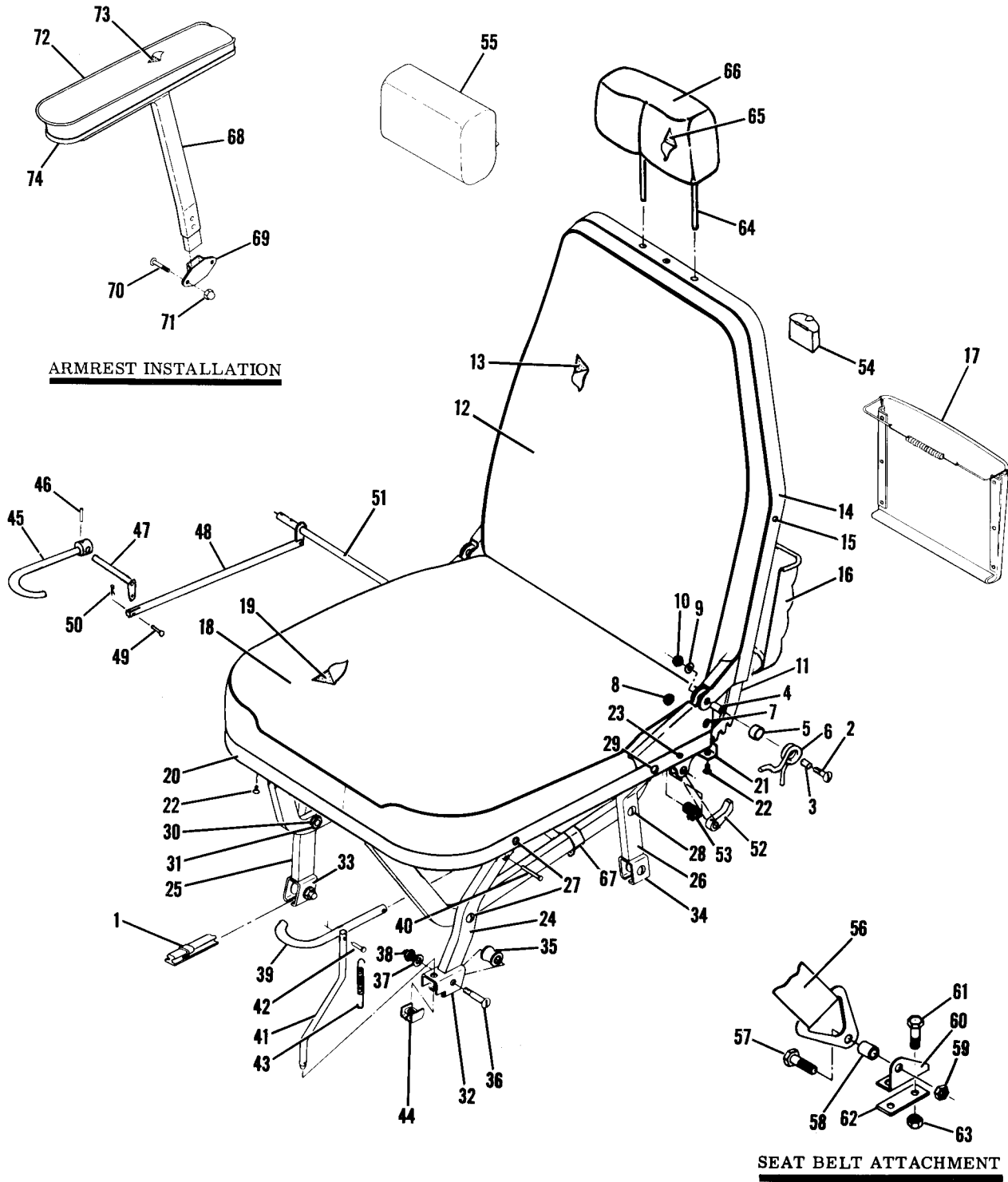


Figure 52. Pilot & Co-pilot Seat Installation

FIGURE AND INDEX NO.	PART NUMBER	DESCRIPTION	UNITS PER ASSY	USABLE ON CODE
		1 2 3 4 5 6 7		
52 -41	1200505-1	PIN-SEAT ADJUSTMENT ----- ATTACHING PARTS -----	1	
-42	MS20392-1C21	PIN ----- -----*	1	
-43	1414116-1	SPRING-SEAT ADJUSTMENT -----	1	
-44	1414104-8	BRACKET-SEAT ADJUSTMENT -----	1	
-45	1200504-3	HANDLE ASSEMBLY-RECLINING ADJUSTMENT ----- ATTACHING PARTS -----	1	
-46	NAS561-3-8	ROLL PIN ----- -----*	1	
-47	1200503-1	ARM ASSEMBLY-SEAT BACK ADJUST -----	1	
-48	1200502-1	LINK-SEAT BACK ADJUST ----- ATTACHING PARTS -----	1	
-49	MS20392-1C9	PIN -----	2	
-50	MS24665-132	PIN-COTTER ----- -----*	2	
-51	1414223-34	TUBE ASSEMBLY-TORQUE -----	1	
-52	1414231-4	PAWL-SEAT BACK ADJUST REPLACE IN PAIRS ONLY ----- ATTACHING PARTS -----	2	
	NAS561C3-10	ROLL PIN ----- -----*	1	
-53	1414107-1	SPRING -----	1	
-54	1A1002X	ASH RECEIVER-SEAT BACK GDR -----	1	
-55	1200538-9	HEADREST ASSEMBLY-HIGH BACK SEAT -----	1	
	1200538-10	COVER-HEADREST -----	1	
-56	S1618B3	BELT ASSEMBLY-SEAT BLACK -----	2	A
	S1618D3	BELT ASSEMBLY-SEAT TAN -----	2	A
	S1618J3	BELT ASSEMBLY-SEAT APPLE RED -----	2	A
	S1618K3	BELT ASSEMBLY-SEAT AVOCADO -----	2	A
	S1618M3	BELT ASSEMBLY-SEAT BLUE -----	2	A
	S1746B2	BELT ASSEMBLY-SEAT BLACK -----	2	B
	S1746D2	BELT ASSEMBLY-SEAT TAN -----	2	B
	S1746J2	BELT ASSEMBLY-SEAT APPLE RED -----	2	B
	S1746K2	BELT ASSEMBLY-SEAT AVOCADO -----	2	B
	S1746M2	BELT ASSEMBLY-SEAT BLUE -----	2	B
	S1746N2	BELT ASSEMBLY-SEAT GOLD ----- ATTACHING PARTS -----	2	B
-57	AN4-5A	BOLT -----	2	
-58	NAS43HT4-20	SPACER -----	2	
-59	NAS679A4	NUT ----- -----*	2	
-60	0511301-175	FITTING-SEAT BELT INBOARD LH AND OUTBOARD RH -----	2	
	0511301-176	FITTING-SEAT BELT CUTBOARD LH AND INBOARD RH ----- ATTACHING PARTS -----	2	
-61	AN3-4A	BOLT -----	2	
-62	0710632-1	PLATE -----	1	
-63	NAS679A3	NUT ----- -----*	2	
	1414252-11	HEADREST ASSEMBLY -----	2	A
	1714040-3	HEADREST ASSEMBLY -----	2	B
-64	1414252-2	FRAME ASSEMBLY-HEADREST -----	1	
-65	1414252-7	CUSHION-HEADREST -----	1	A
	1714035-1	CUSHION-HEADREST -----	1	B
-66	1414252-12	COVER ASSEMBLY-HEADREST -----	1	A
	1714040-4	COVER ASSEMBLY-HEADREST -----	1	B
-67	1200446-1	FOOTREST ASSEMBLY ----- ATTACHING PARTS -----	2	A
	NAS221C6	SCREW -----	2	
	22K2-02	CAP NUT EN ----- -----*	2	
-68	1200453-9	ARMREST ASSEMBLY-LH USED ON CO-PILOT SEAT -----	1	
	1200453-10	ARMREST ASSEMBLY-RH USED ON PILOT SEAT ----- ATTACHING PARTS -----	1	
-69	1200448-1	SOCKET INCLUDED IN SEAT ASSEMBLY -----	1	
-70	AN23-16A	BOLT INCLUDED IN SEAT ASSEMBLY -----	2	
-71	22NKM-02	NUT-CAP EN INCLUDED IN SEAT ASSEMBLY ----- -----*	2	

CONTINUED ON NEXT PAGE

FIGURE AND INDEX NO.	PART NUMBER	DESCRIPTION	UNITS PER ASSY	USABLE ON CODE
52 -72	1200453-5	COVER-ARMREST -----	1	
-73	0812971-5	CUSHION-LH -----	1	
	0812971-4	CUSHION-RH -----	1	
-74	0812929-1	COVER-TRIM LH -----	1	
	0812929-2	COVER-TRIM RH -----	1	
	AN5C9-8RT	ATTACHING PARTS SCREW -----	4	
		---*---		
		NOTE. □THIS PART NUMBER MUST HAVE A SECOND DASH		
		NUMBER ADDED TO DENOTE COLOR. REFER TO		
		HOW TO ORDER INTERIOR PARTS-PAGE VI.		
		NOTE. #THIS PART NUMBER MUST HAVE A SECOND DASH		
		NUMBER ADDED TO DENOTE COLOR. REFER TO		
		HOW TO ORDER UPHOLSTERED PARTS-PAGE VII.		
		A---210 SERIAL 21058819 THRU 21058936		
		T210 SERIAL T210-0198 THRU T210-0307		
		B---210 SERIAL 21058937 & ON		
		T210 SERIAL T210-0308 & ON		

This page intentionally left blank.

Seats (Cont)

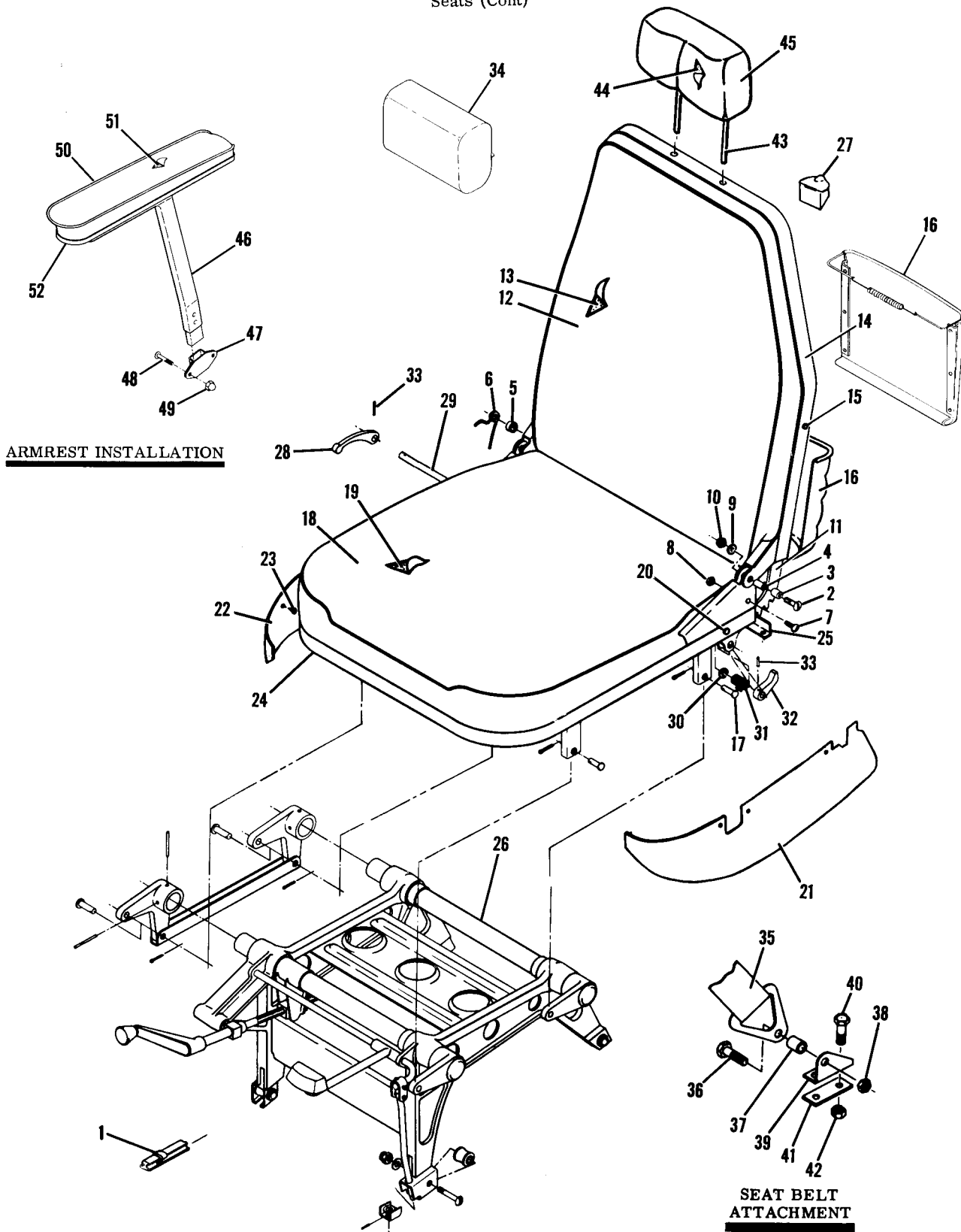


Figure 53. Vertically Adjustable Pilot & Co-pilot Seat Installation

FIGURE AND INDEX NO.	PART NUMBER		DESCRIPTION	UNITS PER ASSY	USABLE ON CODE
			1 2 3 4 5 6 7		
53 -			VERTICALLY ADJUSTABLE PILOT AND CO-PILOT SEAT INSTALLATION ----	NP	
	0700630-15	#	SEAT ASSEMBLY-VERTICALLY ADJUSTABLE LH -----	1	
	1200539-1	#	SEAT ASSEMBLY-HIGH BACK VERTICALLY ADJ LH -----	1	
	0700630-16	#	SEAT ASSEMBLY-VERTICALLY ADJUSTABLE RH -----	1	
	1200539-2	#	SEAT ASSEMBLY-HIGH BACK VERTICALLY ADJ RH -----	1	
			ATTACHING PARTS		
- 1	0713074-1		STOP-SEAT -----	2	
	MS20392-1C21		PIN -----	2	
	MS24665-151		PIN-COTTER -----	2	
			-----*		
	0700630-210	#	BACK ASSEMBLY-UPHOLSTERED SEAT -----	1	
	1200539-201	#	BACK ASSEMBLY-UPHOLSTERED SEAT-HIGH BACK -----	1	
			ATTACHING PARTS		
- 2	AN23-19A		BOLT -----	2	
- 3	NAS43HT3-12		SPACER -----	2	
- 4	1414104-4		BUSHING -----	2	
- 5	0711668-1		BUSHING -----	2	
- 6	0711667-1		SPRING -----	2	
- 7	AN507-832R14		SCREW -----	2	
- 8	NAS679A08		NUT -----	2	
- 9	AN960-10L		WASHER -----	2	
-10	22K2-02		NUT EN -----	2	
			-----*		
-11	1414111-5		CAM-SEAT BACK -----	2	
-12	1200605-12	#	COVER-SEAT BACK -----	1	
	1200538-5	#	COVER-HIGH SEAT BACK -----	1	
-13	1414100-9		CUSHION-SEAT BACK -----	1	
	1200538-7		CUSHION-HIGH SEAT BACK -----	1	
-14	1414110-29	□	TRIM ASSEMBLY-SEAT BACK -----	1	
	1200527-4	□	TRIM ASSEMBLY-HIGH BACK SEAT -----	1	
			ATTACHING PARTS		
-15	S1021Z8-6C		SCREW -----	3	
			-----*		
-16	1414110-30	□	POCKET ASSEMBLY-MAGAZINE -----	1	
	1200538-2	#	POCKET ASSEMBLY-HIGH BACK SEAT -----	1	
			ATTACHING PARTS		
	1414045-1		SPRING -----	1	
			-----*		
	0700630-216	#	BOTTOM ASSEMBLY-SEAT -----	1	
	1200539-200	#	BOTTOM ASSEMBLY-HIGH BACK SEAT -----	1	
			ATTACHING PARTS		
-17	MS20392-2C17		PIN -----	4	
	MS24665-132		PIN-COTTER -----	4	
			-----*		
-18	1200605-11	#	COVER-SEAT BOTTOM -----	1	
	1200538-5	#	COVER-HIGH BACK SEAT BOTTOM -----	1	
-19	1414100-8		CUSHION-SEAT BOTTOM -----	1	
-20	AN23-15A		BOLT -----	1	
	NAS679A3		NUT -----	2	
-21	1414263-7	□	SKIRT-SEAT BOTTOM LH -----	1	
-22	1414263-8	□	SKIRT-SEAT BOTTOM RH -----	1	
			ATTACHING PARTS		
-23	S1021Z6-4		SCREW -----	4	
			-----*		
-24	1414217-7		RETAINER -----	1	
-25	1414217-3		RETAINER -----	1	
			ATTACHING PARTS		
	S1021Z6-4		SCREW -----	14	
			-----*		
-26	SEE FIG 54		VERTICALLY ADJUSTABLE SEAT BOTTOM FRAME ASSEMBLY LH -----	2	
	SEE FIG 54		VERTICALLY ADJUSTABLE SEAT BOTTOM FRAME ASSEMBLY RH -----	2	
-27	1A1002X		ASH RECEIVER-SEAT BACK GDR -----	1	
-28	0710312-2		HANDLE-RECLINING ADJUSTMENT -----	1	
-29	1414104-1		TUBE-SEAT ADJUSTMENT TORQUE -----	1	
-30	AN960D616		WASHER -----	2	
-31	1414107-1		SPRING-SEAT ADJUSTMENT -----	1	
-32	0700636-1		PAWL-SEAT ADJUSTMENT -----	2	
-33	NAS561C3-10		PIN -----	2	
-34	1200538-9	#	HEADREST ASSEMBLY-HIGH BACK SEAT -----	1	
	1200538-10	#	COVER-HEADREST -----	1	

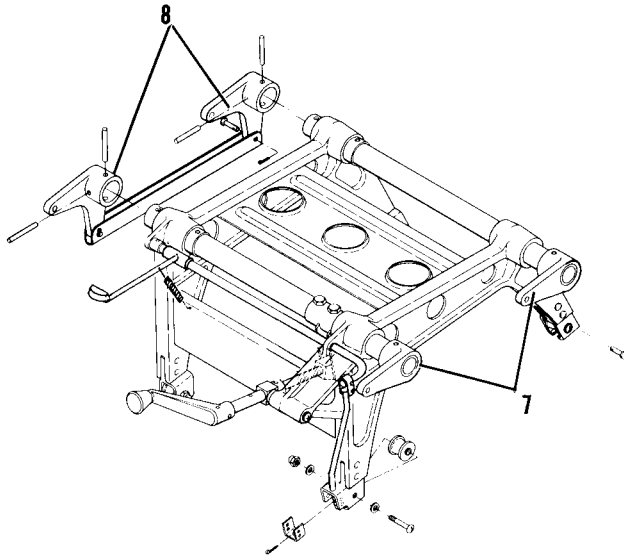
CONTINUED ON NEXT PAGE

FIGURE AND INDEX NO.	PART NUMBER	DESCRIPTION							UNITS PER ASSY	USABLE ON CODE	
		1	2	3	4	5	6	7			
53 -35	S161883	BELT ASSEMBLY-SEAT	BLACK	-----	-----	-----	-----	-----	2	A	
	S1618D3	BELT ASSEMBLY-SEAT	TAN	-----	-----	-----	-----	-----	2	A	
	S1618J3	BELT ASSEMBLY-SEAT	APPLE RED	-----	-----	-----	-----	-----	2	A	
	S1618K3	BELT ASSEMBLY-SEAT	AVOCADO	-----	-----	-----	-----	-----	2	A	
	S1618M3	BELT ASSEMBLY-SEAT	BLUE	-----	-----	-----	-----	-----	2	A	
	S1746B2	BELT ASSEMBLY-SEAT	BLACK	-----	-----	-----	-----	-----	2	B	
	S1746D2	BELT ASSEMBLY-SEAT	TAN	-----	-----	-----	-----	-----	2	B	
	S1746J2	BELT ASSEMBLY-SEAT	APPLE RED	-----	-----	-----	-----	-----	2	B	
	S1746K2	BELT ASSEMBLY-SEAT	AVOCADO	-----	-----	-----	-----	-----	2	B	
	S1746M2	BELT ASSEMBLY-SEAT	BLUE	-----	-----	-----	-----	-----	2	B	
	S1746N2	BELT ASSEMBLY-SEAT	GOLD	-----	-----	-----	-----	-----	2	B	
			ATTACHING PARTS								
	-36	AN4-5A	BOLT	-----	-----	-----	-----	-----	-----	2	
-37	NAS43HT4-20	SPACER	-----	-----	-----	-----	-----	-----	2		
-38	NAS679A4	NUT	-----	-----	-----	-----	-----	-----	2		
		---*---									
-39	C511301-175	FITTING-SEAT BELT	INBOARD LH & OUTBOARD RH	-----	-----	-----	-----	-----	2		
		FITTING-SEAT BELT	OUTBOARD LH & INBOARD RH	-----	-----	-----	-----	-----	2		
		ATTACHING PARTS									
-40	AN3-4A	BOLT	-----	-----	-----	-----	-----	-----	2		
-41	071C632-1	PLATE	-----	-----	-----	-----	-----	-----	2		
-42	NAS679A3	NUT	-----	-----	-----	-----	-----	-----	2		
		---*---									
	1414252-11	#	HEADREST ASSEMBLY	-----	-----	-----	-----	-----	2	A	
	1714040-3	#	HEADREST ASSEMBLY	-----	-----	-----	-----	-----	2	B	
-43	1414252-2		FRAME-HEADREST	-----	-----	-----	-----	-----	1		
-44	1414252-7		CUSHION-HEADREST	-----	-----	-----	-----	-----	1	A	
			CUSHION-HEADREST	-----	-----	-----	-----	-----	1	B	
-45	1414252-12	#	COVER ASSEMBLY-HEADREST	-----	-----	-----	-----	-----	1	A	
		#	COVER ASSEMBLY-HEADREST	-----	-----	-----	-----	-----	1	B	
-46	1200453-9	#	ARMREST ASSEMBLY-LH	USED ON CO-PILOT SEAT	-----	-----	-----	-----	1		
		#	ARMREST ASSEMBLY-RH	USED ON PILOT SEAT	-----	-----	-----	-----	1		
		ATTACHING PARTS									
-47	1200448-1		SOCKET	INCLUDED IN SEAT ASSEMBLY	-----	-----	-----	-----	1		
-48	AN23-16A		BOLT	INCLUDED IN SEAT ASSEMBLY	-----	-----	-----	-----	2		
-49	22NKM-02		NUT-CAP	EN INCLUDED IN SEAT ASSEMBLY	-----	-----	-----	-----	2		
		---*---									
-50	1200453-5	#	COVER	-----	-----	-----	-----	-----	1		
-51	0812971-5		CUSHION-LH	-----	-----	-----	-----	-----	1		
			CUSHION-RH	-----	-----	-----	-----	-----	1		
-52	0812929-1		COVER-TRIM LH	-----	-----	-----	-----	-----	1		
			COVER-TRIM RH	-----	-----	-----	-----	-----	1		
		ATTACHING PARTS									
	AN509-8R7		SCREW	-----	-----	-----	-----	-----	4		
		---*---									
<p>NOTE. □THIS PART NUMBER MUST HAVE A SECOND DASH NUMBER ADDED TO DENOTE COLOR. REFER TO HOW TO ORDER INTERIOR PARTS-PAGE VI.</p> <p>NOTE. #THIS PART NUMBER MUST HAVE A SECOND DASH NUMBER ADDED TO DENOTE COLOR. REFER TO HOW TO ORDER UPHOLSTERED PARTS-PAGE VII.</p> <p>A---210 SERIAL 21058819 THRU 21058936 T210 SERIAL T210-0198 THRU T210-0307</p> <p>B---210 SERIAL 21058937 & ON T210 SERIAL T210-0308 & ON</p>											

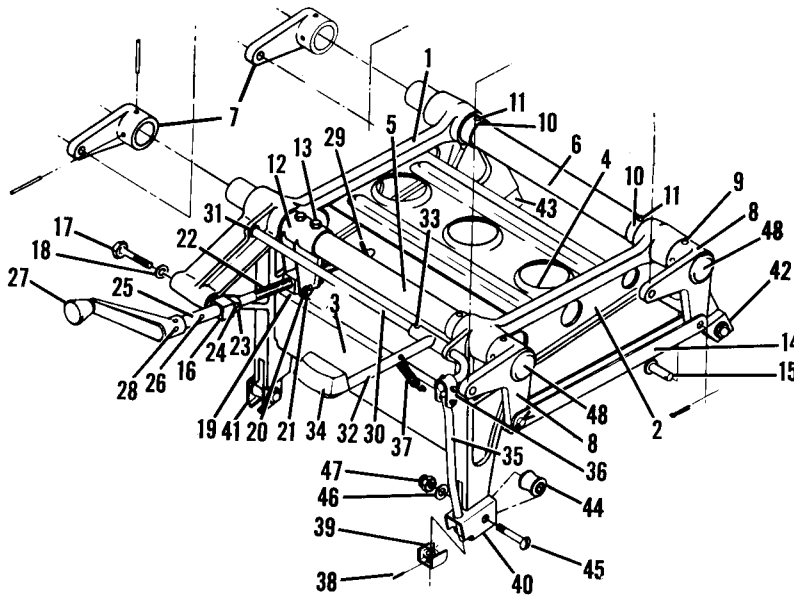


FIGURE AND INDEX NO.	PART NUMBER	DESCRIPTION	UNITS PER ASSY	USABLE ON CODE
		1 2 3 4 5 6 7		
54 -	0700631-5	□ VERTICALLY ADJUSTABLE SEAT BOTTOM FRAME ASSEMBLY-LH -----	1	
	0700631-6	□ VERTICALLY ADJUSTABLE SEAT BOTTOM FRAME ASSEMBLY-RH -----	1	
- 1	0700640-1	LEG-SEAT INBOARD LH -----	1	
	0700640-2	LEG-SEAT INBOARD RH -----	1	
- 2	0700640-5	LEG-SEAT OUTBOARD LH -----	1	
	0700640-6	LEG-SEAT OUTBOARD RH -----	1	
- 3	0700641-1	BRACE-FORWARD BULKHEAD -----	1	
- 4	0700641-2	BRACE-UPPER BULKHEAD -----	1	
- 5	0700639-1	TUBE-FORWARD TORQUE -----	1	
- 6	0700639-2	TUBE-AFT TORQUE -----	1	
- 7	0700633-2	BELLCRANK -----	2	
- 8	0700633-4	BELLCRANK LH SEAT ONLY -----	2	
	0700633-1	BELLCRANK RH SEAT ONLY -----	2	
CONTINUED ON NEXT PAGE				

Seats (Cont)



RH SEAT BELLCRANK ARRANGEMENT



LH SEAT BELLCRANK ARRANGEMENT

Figure 54. Vertically Adjustable Seat Bottom Frame Assembly

FIGURE AND INDEX NO.	PART NUMBER	DESCRIPTION	UNITS PER ASSY	USABLE ON CODE
54 - 9	NAS561P6-22	ROLL PIN -----	8	
-10	1200136-1	COLLAR -----	3	
-11	NAS561P6-18	ROLL PIN -----	3	
-12	1200141-1	BELLCRANK-LH -----	1	
	1200141-2	BELLCRANK-RH -----	1	
		ATTACHING PARTS		
-13	AN4-14A	BOLT -----	2	
	NAS679A4	NUT -----	2	
		---*---		
-14	0700634-1	CHANNEL-PUSH PULL -----	1	
		ATTACHING PARTS		
-15	MS20392-2C17	PIN -----	2	
	MS24665-132	PIN-COTTER -----	2	
		---*---		
-16	0700638-1	BLOCK-BEARING -----	1	
-17	AN520-10R8	SCREW -----	1	
-18	AN960-10L	WASHER -----	1	
-19	1200139-1	NUT -----	1	
-20	AN960-10	WASHER -----	1	
-21	MS20392-1C17	PIN -----	1	
	MS24665-132	PIN-COTTER -----	1	
-22	1200186-1	SCREW-SEAT ADJUSTMENT -----	1	
-23	1200138-1	COLLAR -----	1	
-24	NAS561P4-10	ROLL PIN -----	1	
-25	1200156-1	SPACER -----	1	
-26	NAS561P4-8	ROLL PIN -----	1	
-27	1200159-1	HANDLE ASSEMBLY-VERTICAL ADJUSTMENT -----	1	
-28	NAS561P4-12	ROLL PIN -----	2	
-29	NAS561P4-10	ROLL PIN -----	1	
-30	0700642-1	TUBE-SEAT ADJUSTMENT TORQUE -----	1	
-31	AN960-616L	WASHER -----	1	
	MS24665-5	PIN-COTTER -----	1	
-32	0700643-1	ARM-SEAT ADJUSTMENT -----	1	
-33	NAS561P3-8	ROLL PIN -----	2	
-34	1200164-1	KNOB-FORE & AFT ADJUSTMENT -----	1	
		ATTACHING PARTS		
	S102226-10	SCREW -----	1	
		---*---		
-35	0700644-1	PIN-SEAT ADJUSTMENT -----	1	
-36	1414104-2	CLAMP -----	1	
	MS24665-134	PIN-COTTER -----	2	
-37	1414116-1	SPRING -----	1	
-38	MS24665-132	PIN-COTTER -----	1	
-39	1414104-8	BRACKET-SEAT ADJUSTMENT -----	1	
-40	0700645-1	HOUSING-WHEEL -----	1	
-41	0700645-2	HOUSING-WHEEL -----	1	
-42	0700645-3	HOUSING-WHEEL -----	1	
-43	0700645-4	HOUSING-WHEEL -----	1	
-44	1414100-212	KIT-SEAT ROLLER -----	4	
		ATTACHING PARTS		
-45	AN23-19A	BOLT -----	1	
-46	AN960-10L	WASHER -----	1	
-47	22K2-02	NUT -----	1	
		---*---		
-48	51045	PLUG BUTTON UC -----	2	

NOTE. ▯THIS PART MUST HAVE A SECOND DASH NUMBER ADDED TO DENOTE COLOR. REFER TO HOW TO ORDER INTERIOR PARTS-PAGE VI.

Seats (Cont)

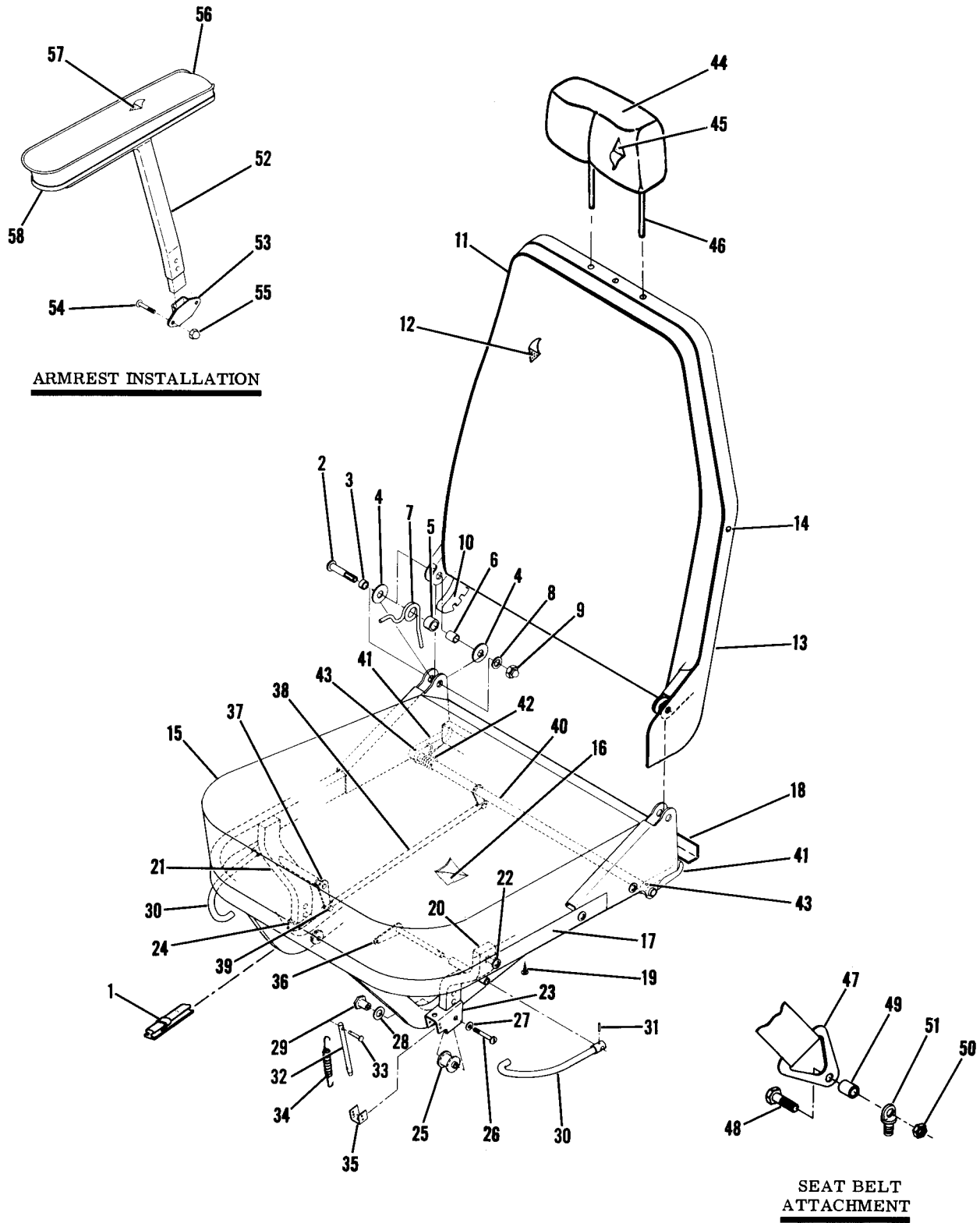


Figure 55. Rear Seats Installation

FIGURE AND INDEX NO.	PART NUMBER		DESCRIPTION	UNITS PER ASSY	USABLE ON CODE
			1 2 3 4 5 6 7		
55 -	1200485-1	#	REAR SEATS INSTALLATION -----	NP	
			SEAT ASSEMBLY-REAR -----	2	
			ATTACHING PARTS -----		
- 1	0713074-1		STOP-SEAT -----	2	
	MS20392-1C21		PIN -----	2	
	MS24665-138		PIN-COTTER -----	2	
			-----*		
	1200485-201	#	BACK ASSEMBLY-UPHOLSTERED SEAT -----	1	
			ATTACHING PARTS -----		
- 2	AN23-19A		BOLT -----	2	
- 3	NAS43HT3-12		SPACER -----	2	
- 4	S1438-1		WASHER -----	4	
- 5	NAS43HT4-18		SPACER -----	2	
- 6	1414104-4		BUSHING -----	2	
- 7	0711667-1		SPRING -----	2	
- 8	AN960-10L		WASHER -----	2	
- 9	22K2-02		NUT EN -----	2	
			-----*		
-10	1414230-1		CAM-SEAT BACK -----	2	
-11	1200454-54	#	COVER-SEAT BACK -----	1	
-12	1414100-9		CUSHION-SEAT BACK -----	1	
-13	1414110-22	□	TRIM-SEAT BACK -----	1	
			ATTACHING PARTS -----		
-14	S1021Z8-6C		SCREW -----	3	
			-----*		
	1200485-203	#	BOTTOM ASSEMBLY-UPHOLSTERED SEAT -----	1	
-15	1200454-53	#	COVER-SEAT BOTTOM -----	1	
-16	1414100-8		CUSHION-SEAT BOTTOM -----	1	
-17	1414217-7		RETAINER-SEAT BOTTOM -----	1	
-18	1414217-3		RETAINER-SEAT BOTTOM -----	1	
-19	S1021Z6-4		SCREW -----	14	
-20	1200485-15		LEG ASSEMBLY-FWD LH -----	1	
-21	1200485-16		LEG ASSEMBLY-FWD RH -----	1	
			ATTACHING PARTS -----		
-22	AN24-21A		BOLT -----	1	
	AN936A416		WASHER UNDER BOLT HEAD -----	1	
	AN936A616		WASHER UNDER NUT -----	1	
	1414112-3		NUT -----	1	
			-----*		
-23	1414104-53		HOUSING-SEAT ROLLER FWD LH -----	1	
-24	1414104-52		HOUSING-SEAT ROLLER FWD RH -----	1	
-25	1414100-212		KIT-SEAT ROLLER -----	4	
			ATTACHING PARTS -----		
-26	AN23-20		BOLT -----	1	
-27	AN936A10		WASHER UNDER BOLT HEAD -----	1	
-28	AN936A616		WASHER UNDER NUT -----	1	
-29	1414112-2		NUT -----	1	
			-----*		
-30	1414122-16		HANDLE ASSEMBLY-SEAT ADJUSTMENT -----	2	
			ATTACHING PARTS -----		
-31	NAS561-3-6		ROLL PIN -----	1	
			-----*		
-32	1200485-9		PIN-SEAT ADJUSTMENT -----	1	
			ATTACHING PARTS -----		
-33	MS20392-1C21		PIN -----	1	
			-----*		
-34	1414116-1		SPRING-SEAT ADJUSTMENT -----	1	
-35	1414104-8		BRACKET-SEAT ADJUSTMENT -----	1	
-36	1200485-8		ARM ASSEMBLY-SEAT ADJUSTMENT -----	1	
-37	1200485-17		TUBE-RECLINING ADJUSTMENT -----	1	
-38	1414122-35		TUBE-RECLINING ADJUSTMENT -----	1	
			ATTACHING PARTS -----		
-39	MS20392-1C9		PIN -----	2	
	MS24665-132		PIN-COTTER -----	2	
			-----*		
-40	1200485-18		TUBE ASSEMBLY-TORQUE -----	1	
-41	1414114-1		PAWL-RECLINING ADJUSTMENT -----	2	
-42	1414107-1		SPRING-RECLINING ADJUSTMENT -----	1	
-43	NAS561C3-10		ROLL PIN -----	2	
	1414252-11	#	HEADREST ASSEMBLY -----	2	A
	1714040-3	#	HEADREST ASSEMBLY -----	2	B

CONTINUED ON NEXT PAGE

FIGURE AND INDEX NO.	PART NUMBER		DESCRIPTION	UNITS PER ASSY	USABLE ON CODE
55 -44	1414252-12	#	COVER ASSEMBLY-HEADREST -----	2	A
	1714040-4	#	COVER ASSEMBLY-HEADREST -----	2	B
-45	1414252-7		CUSHION-HEADREST -----	2	A
	1714035-1		CUSHION-HEADREST -----	1	B
-46	1414252-2		FRAME-HEADREST -----	1	
-47	S161883		BELT ASSEMBLY-SEAT BLACK -----	2	A
	S1618D3		BELT ASSEMBLY-SEAT TAN -----	2	A
	S1618J3		BELT ASSEMBLY APPLE RED -----	2	A
	S1618K3		BELT ASSEMBLY-SEAT AVOCADO -----	2	A
	S1618M3		BELT ASSEMBLY-SEAT BLUE -----	2	A
	S1746B2		BELT ASSEMBLY BLACK -----	2	B
	S1746D2		BELT ASSEMBLY TAN -----	2	B
	S1746J2		BELT ASSEMBLY APPLE RED -----	2	B
	S1746K2		BELT ASSEMBLY AVOCADO -----	2	B
	S1746M2		BELT ASSEMBLY BLUE -----	2	B
	S1746N2		BELT ASSEMBLY GOLD -----	2	B
			ATTACHING PARTS		
-48	AN4-6A		BOLT -----	2	
-49	NAS43HT4-20		SPACER -----	2	
-50	NAS679A4		NUT -----	2	
			-----*		
-51	1211685-1		EYEBOLT -----	2	
-52	1200453-9	#	ARMREST ASSEMBLY LH USED ON RH SEAT -----	1	
	1200453-10	#	ARMREST ASSEMBLY RH USED ON LH SEAT -----	1	
			ATTACHING PARTS		
-53	1200448-1		SOCKET INCLUDED IN SEAT ASSEMBLY -----	1	
-54	AN23-16A		BOLT INCLUDED IN SEAT ASSEMBLY -----	2	
-55	22NKM02		NUT-CAP EN INCLUDED IN SEAT ASSEMBLY -----	2	
			-----*		
-56	1200453-5	#	COVER-ARMREST -----	1	
-57	0812971-5		CUSHION-LH -----	1	
	0812971-4		CUSHION-RH -----	1	
-58	0812929-1		COVER-TRIM LH -----	1	
	0812929-2		COVER-TRIM RH -----	1	
			ATTACHING PARTS		
	AN509-8R7		SCREW -----	4	
			-----*		
			NOTE. #THIS PART MUST HAVE A SECOND DASH NUMBER ADDED TO DENOTE COLOR. REFER TO HOW TO ORDER INTERIOR PARTS-PAGE VI.		
			NOTE. #THIS PART MUST HAVE A SECOND DASH NUMBER ADDED TO DENOTE COLOR. REFER TO HOW TO ORDER UPHOLSTERED PARTS-PAGE VII.		
			A---210 SERIAL 21058819 THRU 21058936 T210 SERIAL T210-0198 THRU T210-0307		
			B---210 SERIAL 21058937 & ON T210 SERIAL T210-0308 & ON		

This page intentionally left blank.

Seats (Cont)

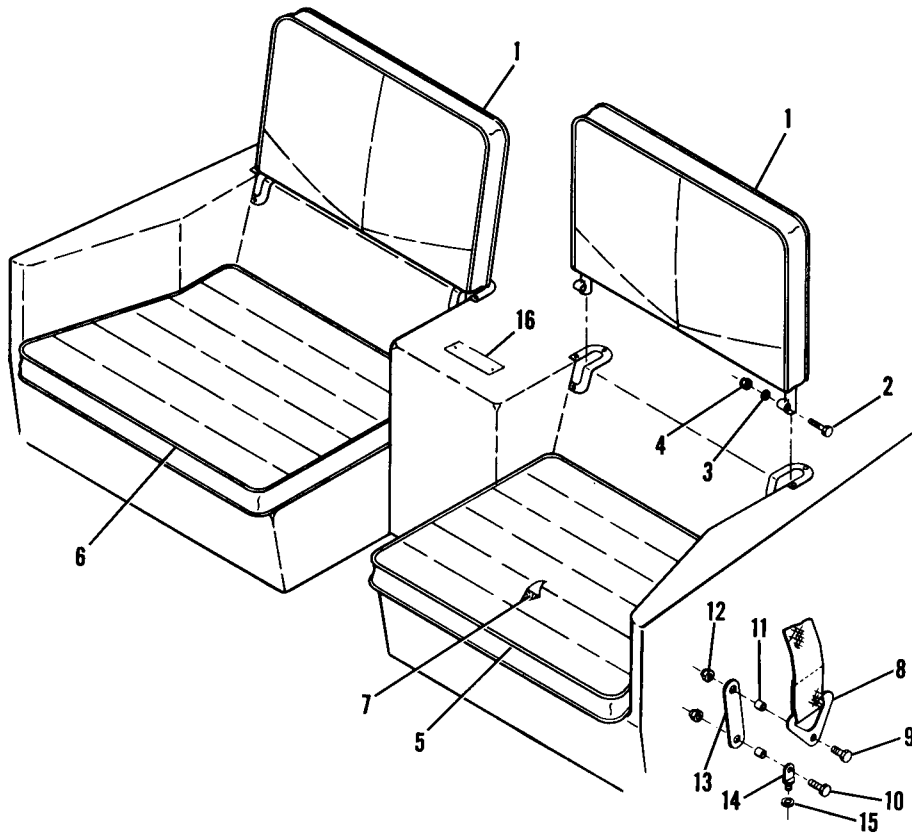


Figure 56. Childs Seat Installation

FIGURE AND INDEX NO.	PART NUMBER		DESCRIPTION	UNITS PER ASSY	USABLE ON CODE
56 -			1 2 3 4 5 6 7		
- 1	1200484-17	#	CHILDS SEAT INSTALLATION ----- BACK ASSEMBLY-CHILDS SEAT ----- ATTACHING PARTS -----	NP 2	
- 2	AN3-11A		BOLT -----	2	
- 3	AN960-10		WASHER -----	2	
- 4	NAS679A3		NUT ----- -----*	2	
	1200454-27	#	CUSHION ASSEMBLY-SEAT BOTTOM LH -----	1	
	1200454-67	#	CUSHION ASSEMBLY-SEAT BOTTOM RH -----	1	
- 5	1200454-23	#	COVER-SEAT CUSHION LH -----	1	
- 6	1200454-69	#	COVER-SEAT CUSHION RH -----	1	
- 7	1200454-22		CUSHION-SEAT BOTTOM -----	1	
- 8	S1618B1		BELT ASSEMBLY-SEAT BLACK -----	2	A
	S1618D1		BELT ASSEMBLY-SEAT TAN -----	2	A
	S1618J1		BELT ASSEMBLY-SEAT APPLE RED -----	2	A
	S1618K1		BELT ASSEMBLY-SEAT AVOCADO -----	2	A
	S1618M1		BELT ASSEMBLY-SEAT BLUE -----	2	A
	S1746B1		BELT ASSEMBLY-SEAT BLACK -----	2	B
	S1746D1		BELT ASSEMBLY-SEAT TAN -----	2	B
	S1746J1		BELT ASSEMBLY-SEAT APPLE RED -----	2	B
	S1746K1		BELT ASSEMBLY-SEAT AVOCADO -----	2	B
	S1746M1		BELT ASSEMBLY-SEAT BLUE -----	2	B
	S1746N1		BELT ASSEMBLY-SEAT GOLD ----- ATTACHING PARTS -----	2	B
- 9	AN4-5A		BOLT USE ON OUTBD SIDE OF SEAT ONLY -----	1	
- 10	AN4-6A		BOLT -----	2	
- 11	NAS43HT4-20		SPACER -----	3	
- 12	NAS679A4		NUT -----	3	
- 13	1200484-24		STRAP USED ON OUTBD SIDE OF SEAT ONLY ----- -----*	1	
- 14	1211685-1		EYEBOLT -----	4	
- 15	AN960PD416L		WASHER -----	AR 1	
- 16	1200518-1		PLACARD ----- ATTACHING PARTS -----	1	
	S1021A4-6C		SCREW ----- -----*	2	
<p>NOTE. #THIS PART MUST HAVE A SECOND DASH NUMBER ADDED TO DENOTE COLOR. REFER TO HOW TO ORDER UPHOLSTERED PARTS-PAGE VII.</p> <p>A---210 SERIAL 21058819 THRU 21058936 T210 SERIAL T210-0198 THRU T210-0307</p> <p>B---210 SERIAL 21058937 & ON T210 SERIAL T210-0308 & ON</p>					

Seats (Cont)

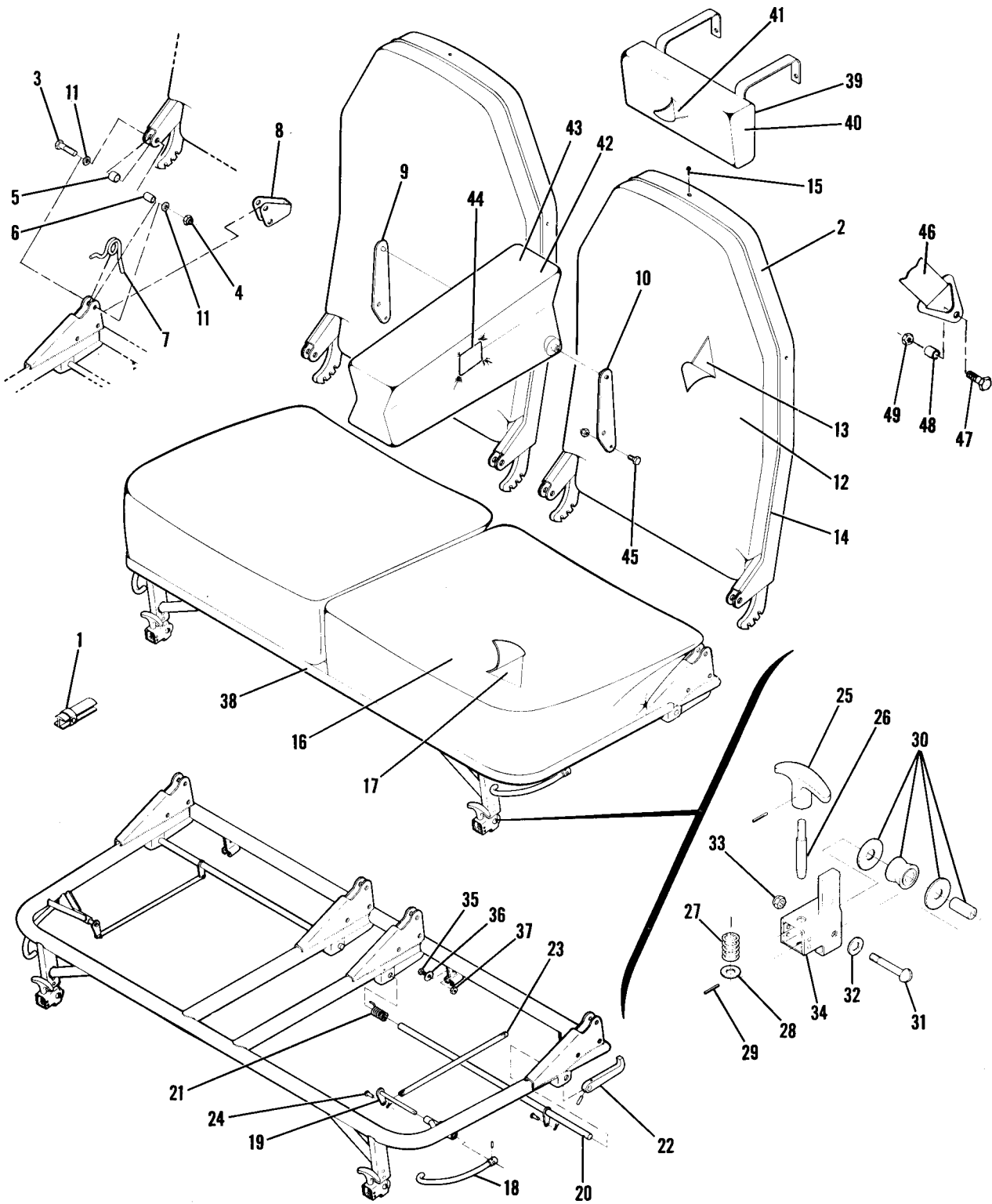


Figure 57. High Back Rear Seat Installation

FIGURE AND INDEX NO.	PART NUMBER		DESCRIPTION	UNITS PER ASSY	USABLE ON CODE
			1 2 3 4 5 6 7		
57 -	1200534-1	#	HIGH BACK REAR SEAT INSTALLATION ----- SEAT ASSEMBLY-REAR-HIGH BACK -----	NP 1	
- 1	0713074-1 MS20392-1C21 MS24665-151		ATTACHING PARTS STOP-SEAT ----- PIN-FLATHEAD ----- COTTER PIN -----	4 4 4	
- 2	1200534-12	#	BACK ASSEMBLY-REAR SEAT-HIGH BACK ----- ATTACHING PARTS	2	
- 3	AN3-10A		BOLT -----	2	
- 4	NAS679A3		NUT -----	2	
- 5	0711668-1		BUSHING -----	2	
- 6	1414104-4		BUSHING -----	2	
- 7	0711667-1		SPRING -----	2	
- 8	1200551-1		STOP ON OUTBOARD SIDE -----	1	
- 9	1200525-27		PIVOT BRACKET ASSEMBLY LH -----	1	
-10	1200525-28		PIVOT BRACKET ASSEMBLY RH -----	1	
-11	AN960-10L		WASHER INSTALL ON EACH SIDE OF PIVOT BRACKET ----- -----*	4	
-12	1200534-4	#	COVER-BACK -----	1	
-13	1200534-5		CUSHION-BACK -----	1	
-14	1200528-1	□	TRIM ASSEMBLY-SEAT BACK ----- ATTACHING PARTS	1	
-15	S1021Z8-6C		SCREW ----- -----*	5	
-16	1200534-13	#	BOTTOM ASSEMBLY-REAR SEAT -----	1	
-17	1200534-2	#	COVER-BOTTOM -----	1	
-18	1200534-3		CUSHION-BOTTOM -----	1	
-19	1414122-16 1414122-10		HANDLE ASSEMBLY-BACK ADJUST ----- BELLCRANK -----	2 2	
	NAS561-3-6		ATTACHING PARTS ROLLPIN ----- -----*	1	
-20	1200525-17		BELLCRANK ASSEMBLY-LH -----	1	
-21	1200525-16 1414107-2 1414107-1		BELLCRANK ASSEMBLY-RH ----- SPRING-LH ----- SPRING-RH -----	1 1 1	
-22	1414231-2		PAWL ----- ATTACHING PARTS	4	
	NAS561P3-10		ROLLPIN ----- -----*	1	
-23	1414122-17		TUBE-BACK ADJUST LINK ----- ATTACHING PARTS	2	
-24	MS20392-1C9 MS24665-132		PIN-FLAT HEAD ----- COTTER PIN ----- -----*	2 2	
-25	0851588-1		HANDLE-SEAT POSITIONING ----- ATTACHING PARTS	2	
	MS16562-15		ROLLPIN ----- -----*	1	
-26	1200604-11		PIN-SEAT TRACK ENGAGEMENT ----- ATTACHING PARTS	2	
-27	1414108-1		SPRING -----	1	
-28	AN960C416L		WASHER -----	1	
-29	NAS561-2-8		ROLLPIN ----- -----*	1	
-30	1414100-212		KIT-SEAT ROLLER ----- ATTACHING PARTS	2	
-31	AN23-19A		BOLT -----	1	
-32	AN960-10L		WASHER -----	1	
-33	22K2-02		NUT EN ----- -----*	1	

CONTINUED ON NEXT PAGE

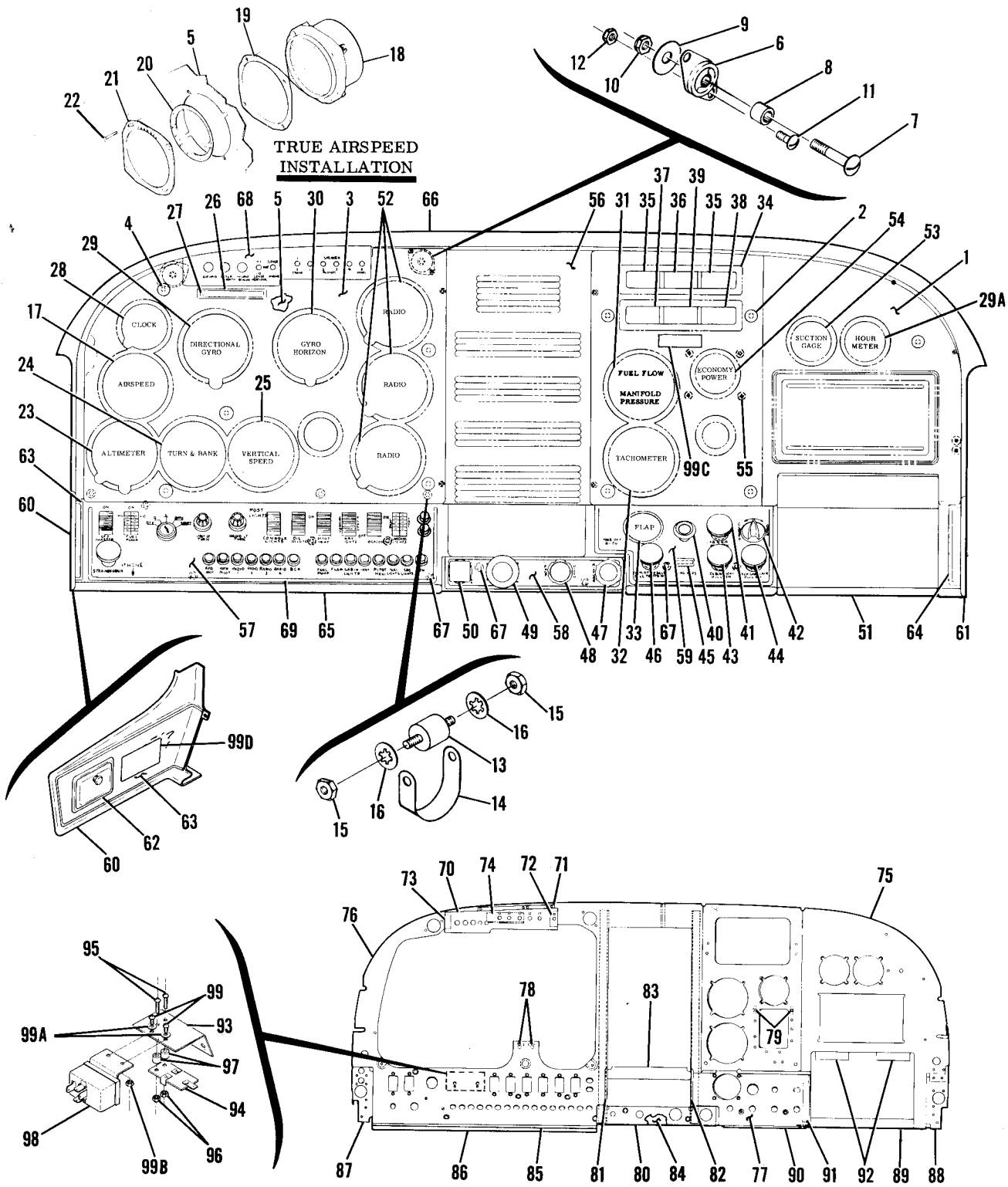
FIGURE AND INDEX NO.	PART NUMBER	DESCRIPTION							UNITS PER ASSY	USABLE ON CODE
		1	2	3	4	5	6	7		
57 -34	1514223-1	HOUSING-ASSEMBLY -----							2	
	1200525-33	SHIM-ROLLER HOUSING -----							2	
-35	AN3-4A	BOLT -----							4	
-36	AN960-10L	WASHER -----							4	
-37	NAS679A3	NUT -----							4	
-38	1414217-8	RETAINER -----							1	
-39	1200534-14	#	HEADREST ASSEMBLY -----					2		
			ATTACHING PARTS							
	S1021Z4-6C	SCREW -----							2	
	AN960-4L	WASHER -----							2	
	NAS446-1-3	NUT -----							2	
		*-----								
-40	1200534-7	#	COVER-HEADREST -----					1		
-41	1200534-8		CUSHION-HEADREST -----					1		
-42	1200534-15	#	ARMREST ASSEMBLY -----					1		
-43	1200534-9	#	COVER-ARMREST -----					1		
-44	1200534-16	#	COVER-BUTTON -----					2		
			ATTACHING PARTS							
	49265	CLIP UC -----							2	
		*-----								
-45	AN3-4A	BOLT -----							2	
	NAS679A3	NUT -----							2	
-46	S1622B5	BELT ASSEMBLY-SEAT	BLACK	-----					2	A
	S1622D5	BELT ASSEMBLY-SEAT	TAN	-----					2	A
	S1622J5	BELT ASSEMBLY-SEAT	APPLE RED	-----					2	A
	S1622K5	BELT ASSEMBLY-SEAT	AVOCADO	-----					2	A
	S1622M5	BELT ASSEMBLY-SEAT	BLUE	-----					2	A
	S1746B14	BELT ASSEMBLY-SEAT	BLACK	-----					2	B
	S1746D14	BELT ASSEMBLY-SEAT	TAN	-----					2	B
	S1746J14	BELT ASSEMBLY-SEAT	APPLE RED	-----					2	B
	S1746K14	BELT ASSEMBLY-SEAT	AVOCADO	-----					2	B
	S1746M14	BELT ASSEMBLY-SEAT	BLUE	-----					2	B
	S1746N14	BELT ASSEMBLY-SEAT	GOLD	-----					2	B
		ATTACHING PARTS								
-47	AN4-6A	BOLT -----							2	
-48	NAS43HT4-20	SPACER -----							2	
-49	NAS679A4	NUT -----							2	
		*-----								
<p>NOTE. □ THIS PART MUST HAVE A SECOND DASH NUMBER TO DENOTE COLOR. REFER TO HOW TO ORDER INTERIOR PARTS-PAGE VI.</p> <p>NOTE. # THIS PART MUST HAVE A SECOND DASH NUMBER ADDED TO DENOTE COLOR. REFER TO HOW TO ORDER UPHOLSTERED PARTS-PAGE VII.</p> <p>A---210 SERIAL 21058819 THRU 21058936 T210 SERIAL T210-0198 THRU T210-0307</p> <p>B---210 SERIAL 21058937 & ON T210 SERIAL T210-0308 & ON</p>										



FIGURE AND INDEX NO.	PART NUMBER	DESCRIPTION							UNITS PER ASSY	USABLE ON CODE
		1	2	3	4	5	6	7		
58 -		INSTRUMENT PANEL EQUIPMENT INSTALLATION -----							NP	F
- 1	1213138-1 □*	COVER-STATIONARY PANEL WHEN EXHAUSTED USE 1213138-5 -----							1	
	1213138-5 □**	COVER-STATIONARY PANEL RH CONTROL -----							1	
		ATTACHING PARTS -----								
- 2	HS49673P5001	FASTENER UC -----							5	
	NAS43DD4-16	SPACER -----							5	
		-----*								
- 3	0713865-5 □*	COVER-SHOCK PANEL STANDARD -----							1	
	0713865-7 □*	COVER-SHOCK PANEL USED WITH NAV-O-MATIC 300 -----							1	
	0713865-3 □*	COVER-SHOCK PANEL USED WITH NAV-O-MATIC 400 -----							1	
		ATTACHING PARTS -----								
- 4	HS49673P5001	FASTENER UC ----- 210 SERIAL 21058819 -----							5	
	NAS43DD4-16	SPACER ----- THRU 21058936 -----							5	
		-----*								
- 5	0713781-2	PANEL-SHOCK -----							1	
		ATTACHING PARTS -----								
- 6	102PDLN4	MOUNT-SHOCK LO -----							2	
- 7	AN515-8R20	SCREW ----- T210 SERIAL T210-0198 -----							2	
- 8	NAS43DD3-18	SPACER ----- THRU T210-0307 -----							2	
- 9	J2049-1D	WASHER LO -----							2	
-10	NAS679A08	NUT -----							2	
-11	AN515B6R6	SCREW -----							4	
-12	NAS679A06	NUT -----							4	
-13	1213645-1	MOUNT-SHOCK -----							3	
-14	0413247	GROUND STRAP -----							3	
-15	AN340B8	NUT -----							6	
-16	AN936A8	WASHER -----							3	
		-----*								
-17	C661010-0602	INDICATOR-AIR SPEED -----							1	
	AN515B6R16	ATTACHING PARTS -----								
		SCREW -----							4	
		-----*								
		TRUE AIRSPEED INDICATOR INSTALLATION -----							NP	
-18	C661010-0208	INDICATOR-AIRSPEED -----							1	
-19	0700162-6	SPACER -----							1	
-20	0700189-2	RING ASSEMBLY-TRUE AIRSPEED -----							1	
-21	0700162-1	RETAINER ASSEMBLY-TRUE AIRSPEED -----							1	
		ATTACHING PARTS -----								
-22	AN515B6R16	SCREW -----							4	
		-----*								
-23	C661011-0105	ALTIMETER-20000 FT -----							1	A
	C661011-0201	ALTIMETER-35000 FT -----							1	B
	C661011-0106	ALTIMETER-20000 FT FEET & MILIBARS -----							1	A
	C661011-0202	ALTIMETER-35000 FT FEET & MILIBARS -----							1	B
		ATTACHING PARTS -----								
	AN515B6R16	SCREW -----							3	
		-----*								
-24	S1413N1	INDICATOR-TURN & BANK -----							1	
		ATTACHING PARTS -----								
	AN515B6R12	SCREW -----							4	
		-----*								
-25	S1392N1	INDICATOR-VERTICAL SPEED -----							1	
	S1392N2	INDICATOR-VERTICAL SPEED ALTERNATE -----							1	
		ATTACHING PARTS -----								
	AN515B6R12	SCREW -----							3	
		-----*								
-26	0713820-1	RETAINER-CALL LETTER -----							1	
		ATTACHING PARTS -----								
	S1022Z6-10B	SCREW -----							2	
	NAS446-2-1	NUT -----							2	
		-----*								
-27	0813569-3	PLATE-CALL LETTER -----							1	
-28	S1317N1	CLOCK-ELECTRIC -----							1	
		ATTACHING PARTS -----								
	AN515B6R12	SCREW -----							3	
		-----*								

CONTINUED ON NEXT PAGE

Instruments



210 SERIAL 21058819 THRU 21058936
T210 SERIAL T210-0198 THRU T210-0307

Figure 58. Instrument Panel Equipment Installation

FIGURE AND INDEX NO.	PART NUMBER	DESCRIPTION	UNITS PER ASSY	USABLE ON CODE
58 -29	C661002-0201	INDICATOR-DIRECTIONAL GYRO NEW -----	1	
	C661002-0201R	INDICATOR-DIRECTIONAL GYRO RECONDITIONED -----	1	
	3C370-0100	INDICATOR-DIRECTIONAL GYRO-ARC USED WITH NAV-O-MATIC ----- ATTACHING PARTS	1	
	AN515B6R6	SCREW ----- ---*---	4	
-29A	C664501-0101	HOURLY METER ----- ATTACHING PARTS	1	C
	AN515B6R6	SCREW ----- ---*---	4	
-30	C661001-0201	INDICATOR-HORIZONTAL GYRO NEW -----	1	
	C661001-0201R	INDICATOR-HORIZONTAL GYRO RECONDITIONED -----	1	
	30475-0100	INDICATOR-HORIZONTAL GYRO-ARC USED WITH NAV-O-MATIC ----- ATTACHING PARTS	1	
	AN515B6R6	SCREW ----- ---*---	4	
-31	C662001-0102	INDICATOR-DUAL-FUEL FLOW & MANIFOLD PRESSURE -----	1	A
	C662001-0103	INDICATOR-DUAL-FUEL FLOW & MANIFOLD PRESSURE ----- ATTACHING PARTS	1	B
	AN515B6R12	SCREW ----- ---*---	4	
-32	S1305N10	TACHOMETER ----- ATTACHING PARTS	1	
	AN515B6R12	SCREW ----- ---*---	4	
-33	C668001-0104	INDICATOR-FLAP POSITION ----- ATTACHING PARTS	1	
	0713816-2	RING -----	1	
	0713823-1	SPACER -----	1	
	AN507-632R12	SCREW -----	4	
	AN340-6	NUT -----	4	
	AN936D6	WASHER -----	4	
	AN936A6	WASHER ----- ---*---	4	
-34	C669502-0202	INSTRUMENT CLUSTER ----- ATTACHING PARTS	1	
	AN5078832R24	SCREW -----	2	
	AN340B8	NUT -----	2	
	NAS43HT3-64	SPACER ----- ---*---	2	
-35	441344	GAGE-FUEL SW -----	2	
-36	440437	AMMETER SW -----	1	
-37	G442702	GAGE-CYLINDER HEAD TEMPERATURE SW -----	1	
	811542	POTENTIOMETER ASSEMBLY SW -----	1	
-38	G444619	GAGE-OIL PRESSURE SW -----	1	
-39	442786	GAGE-OIL TEMPERATURE SW -----	1	
	G818827	LENS ASSEMBLY-INSTRUMENT CLUSTER SW -----	1	
	SEE FIG 73 & 74	SENDING UNIT-CYLINDER HEAD TEMPERATURE -----	1	
	25-240XP16	HOLDER-LAMP LECR INSTRUMENT CLUSTER LIGHTING -----	4	
	336R	BULB GE INSTRUMENT CLUSTER LIGHTING -----	4	
-40	0513039-7	CIGAR-LIGHTER CUNO -----	1	
	L4858-1	PLUG-HEATING CUNO -----	1	
	S1240-6	KNOB-CIGAR LIGHTER -----	1	
	60232-1	CIRCUIT BREAKER-CIGAR LIGHTER CUNO -----	1	
-41	S1241-10	CONTROL ASSEMBLY-CABIN AIR -----	1	
-42	S1268-2	CONTROL ASSEMBLY-DEFROSTER -----	1	
-43	S1241-11	CONTROL ASSEMBLY-CABIN HEAT -----	1	
-44	S1241-8	CONTROL ASSEMBLY-AUX. CABIN AIR -----	1	
-45	S1661-1	SWITCH ASSEMBLY-FLAP -----	1	
	0813526-6	KNOB-FLAP SWITCH -----	1	
-46	1260458-1	CONTROL ASSEMBLY-STOWABLE COPILOT PEDALS -----	1	
-47	S1220-3	CONTROL ASSEMBLY-MIXTURE -----	1	
	NAS43DD12-64	SPACER MIXTURE CONTROL -----	1	
	1213646-1	WASHER MIXTURE CONTROL -----	1	
-48	S1223-4	CONTROL ASSEMBLY-PROPELLER -----	1	
	NAS43DD12-64	SPACER PROPELLER CONTROL -----	1	
	1213646-1	WASHER PROPELLER CONTROL -----	1	
-49	S1222-10A	CONTROL ASSEMBLY-THROTTLE -----	1	
-50	S1235-5	CONTROL ASSEMBLY-INDUCTION AIR -----	1	A
-51	SEE FIG 61	MAP COMPARTMENT INSTALLATION -----	1	
-52		RADIO INSTALLATION SEE ELECTRONICS MANUAL -----	NP	

CONTINUED ON NEXT PAGE

FIGURE AND INDEX NO.	PART NUMBER	DESCRIPTION	UNITS PER ASSY							USABLE ON CODE	
			1	2	3	4	5	6	7		
58 -53	S1414N1	GAGE-SUCTION ----- ATTACHING PARTS -----								1	
	AN507B632R12	SCREW ----- -----*								4	
-54	C668501-0201 C668501-0203	INDICATOR-POWER ECONOMY ----- LEAD-POWER ECONOMY ----- ATTACHING PARTS -----								1 1	
-55	AN507B632R12 NAS679A06 C7CC0-632-67	SCREW ----- NUT ----- NUT TIN ----- -----*								4 4 4	
-56	0713793-1 □ S1021A6-8B	COVER-CENTER PANEL ----- ATTACHING PARTS ----- SCREW ----- -----*								1 4	
-57	0713874-7	COVER ASSEMBLY-SWITCH -----								1	
-58	0713874-1 0713874-2	COVER ASSEMBLY-CONTROL ----- COVER ASSEMBLY-CONTROL -----								1 1	B A
-59	0713874-5	COVER ASSEMBLY-CONTROL -----								1	
-60	1213139-6 □	TRIM PANEL-LH -----								1	
-61	1213139-2 □ S1021A6-6B	TRIM PANEL-RH ----- ATTACHING PARTS ----- SCREW ----- -----*								1 1	
-62	0411030-6 0411030-5 S1021Z4-8	RECEIVER-ASH ----- RETAINER-ASH RECEIVER ----- ATTACHING PARTS ----- SCREW ----- -----*								2 2 2	
-63	0713861-1	TRIM ASSEMBLY-WOOD GRAIN-LH -----								1	
-64	0713861-3	TRIM ASSEMBLY-WOOD GRAIN-RH -----								1	
-65	1213139-3 □ S1021A6-6B	TRIM ASSEMBLY-CENTER ----- ATTACHING PARTS ----- SCREW ----- -----*								1 7	
-66	1213139-4 1213142-6 C847CR C847C2G S1023A6-12	BROW ASSEMBLY ----- ATTACHING PARTS ----- RETAINER ASSEMBLY-BROW ----- RETAINER CLLD ----- COVER CLLD ----- SCREW ----- -----*								1 1 1 1 7	
-67	41163C14 334	LIGHT ASSEMBLY GBN ----- LAMP GE -----								9 1	
-68	0713252-1 □ 0713252-2 □	COVER-SWITCH MOUNTING BRACKET ----- COVER-SWITCH MOUNTING BRACKET -----								1 1	D E
-69	SEE FIG 59 0713859-1 0713859-6	SWITCH PANEL INSTALLATION ----- BRACKET ASSEMBLY-SWITCH MOUNTING ----- BRACKET ASSEMBLY-SWITCH MOUNTING -----								1 1 1	D E
-70	0713859-4	BRACKET-SWITCH MOUNTING -----								1	
-71	1213064-3	BRACKET-LIGHT SWITCH -----								1	
-72	0713859-2 0713859-7	BRACKET-SWITCH MOUNTING-RH ----- BRACKET-SWITCH MOUNTING RH -----								1 1	D E
-73	0713859-3 0713859-8 1213141-200	BRACKET-SWITCH MOUNTING-LH ----- BRACKET-SWITCH MOUNTING LH ----- STATIONARY INSTRUMENT PANEL ASSEMBLY -----								1 1 1	D E E
-74	1213630-4	DOUBLER -----								1	
-75	1213141-2	PANEL-RH -----								1	
-76	1213141-3	PANEL-LH -----								1	
-77	1213141-4	PANEL-LOWER RH -----								1	
-78	NAS698A3	NUTPLATE -----								2	
-79	NAS697A08	NUTPLATE -----								2	
-80	0713774-1 NAS697A08	PANEL ASSEMBLY-CENTER ----- NUTPLATE -----								1 3	
-81	0713772-1	ANGLE -----								1	
-82	1213151-1	SUPPORT -----								1	
-83	1213650-1 S1021Z8-8 NAS446-4-3	SUPPORT ----- ATTACHING PARTS ----- SCREW ----- NUT ----- -----*								1 1 2 2	

CONTINUED ON NEXT PAGE

FIGURE AND INDEX NO.	PART NUMBER	DESCRIPTION	UNITS PER ASSY	USABLE ON CODE
		1 2 3 4 5 6 7		
58 -84	0713774-1	REINFORCEMENT -----	1	
-85	0713801-5	SUPPORT-LOWER INSTRUMENT PANEL COVER -----	1	
-86	1213636-2	SUPPORT-PARKING BRAKE -----	1	
-87	1213632-1	BRACKET-LH -----	1	
-88	1213143-1	BRACKET-RH -----	1	
-89	0713779-1	ANGLE ASSEMBLY-DOOR MOUNTING -----	1	
	NAS697A08	NUTPLATE -----	3	
-90	0713801-2	SUPPORT-LOWER INSTRUMENT PANEL COVER -----	1	
-91	1213145-1	BRACKET-GLOVE BOX MOUNTING -----	1	
-92	0713776-1	DOOR STOP -----	2	
		BRACKET ASSEMBLY-RELAY MOUNTING-SPLIT BUS BAR -----	1	
-93	0713856-2	BRACKET-RELAY -----	1	
-94	1570043-1	DIODE BOARD ASSEMBLY -----	1	
		ATTACHING PARTS -----		
-95	AN515-8R10	SCREW -----	2	
-96	MS21045-08	NUT -----	2	
-97	NAS43DD3-16	SPACER -----	2	
		-----*-----		
-98	S1668-1	RELAY-POWER -----	1	
		ATTACHING PARTS -----		
-99	AN515-8R6	SCREW -----	2	
-99A	AN960-8	WASHER -----	2	
-99B	MS21045-08	NUT -----	2	
		-----*-----		
-99C	12C0701-1	PLACARD-CLIMB FUEL FLOW -----	1	A
	1213523-1	PLACARD-MANIFOLD PRESSURE & CLIMB FUEL FLOW -----	1	B
-99D	S1656-9	PLACARD-OPERATIONAL LIMITATIONS -----	1	
		NOTE. #THIS PART NUMBER MUST HAVE A SECOND DASH NUMBER ADDED TO DENOTE COLOR. REFER TO HOW TO ORDER INTERIOR PARTS-PAGE VI.		
		NOTE. *THESE PARTS ARE NOT APPLICABLE TO AIRPLANES EQUIPPED WITH POST LIGHTING FOR REQUIRED PARTS SEE FIGURE 60.		
		NOTE. %WHEN INITIALLY ORDERING THIS PART ALSO ORDER 0760101-3 RETAINER & 2 S1021A8-6 SCREW. SEE FIGURE 95. FOR INSTALLATION		
		A---210 SERIAL 21058819 THRU 21058936 B---T210 SERIAL T210-0198 THRU T210-0307 C---210 SERIAL 21058936 THRU 21058936 T210 SERIAL T210-0304 THRU T210-0307 D---210 SERIAL 21058819 THRU 21058844 T210 SERIAL T210-0198 THRU T210-0250 E---210 SERIAL 21058845 THRU 21058936 T210 SERIAL T210-0251 THRU T210-0307 F---210 SERIAL 21058819 THRU 21058936 T210 SERIAL T210-0198 THRU T210-0307		

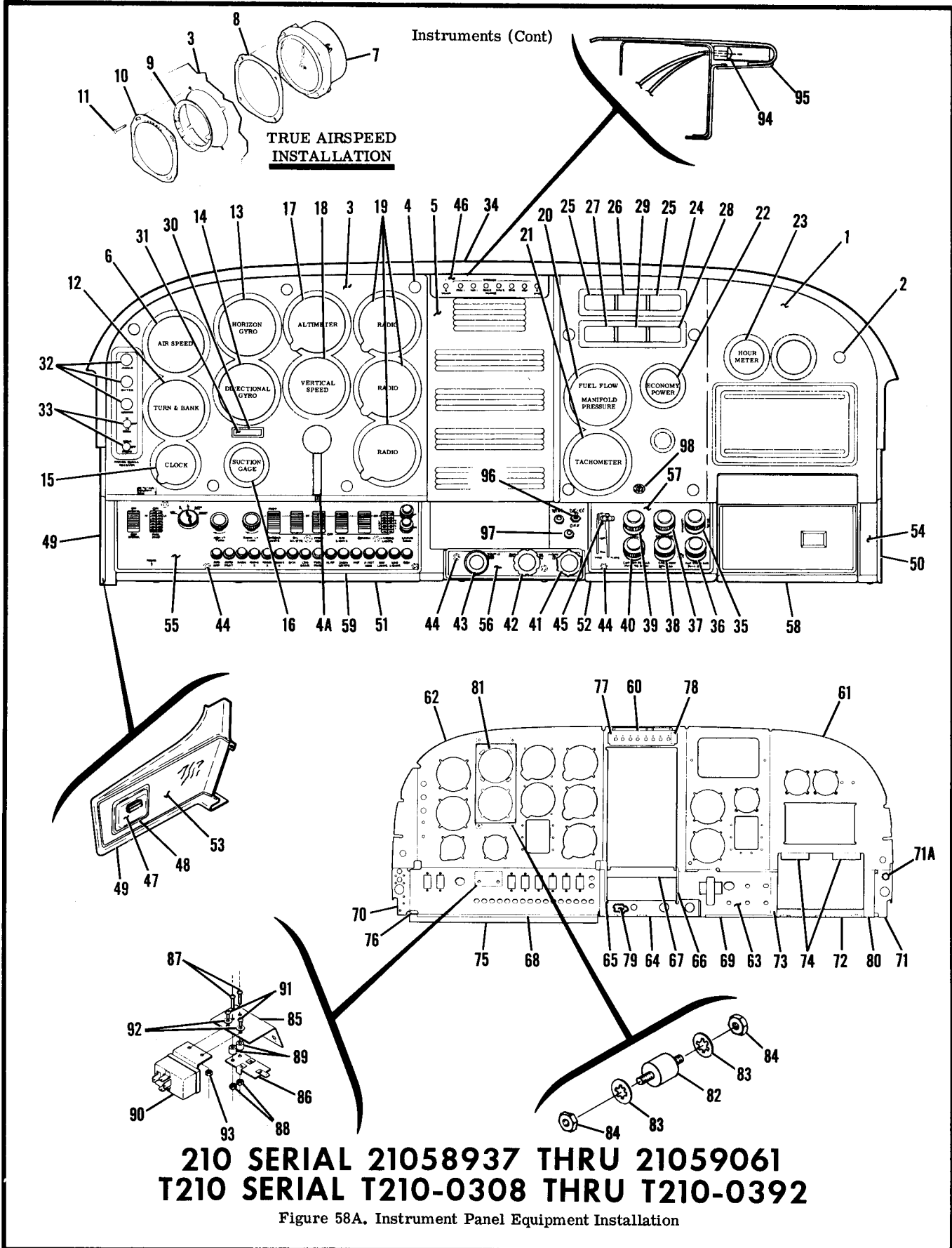


FIGURE AND INDEX NO.	PART NUMBER	DESCRIPTION	UNITS PER ASSY	USABLE ON CODE
1 2 3 4 5 6 7				
58A-		INSTRUMENT PANEL EQUIPMENT INSTALLATION -----	NP	A
- 1	1213138-5 □	COVER-STATIONARY PANEL RH ----- ATTACHING PARTS -----	1	
- 2	HS49673P5001 NAS43004-16	FASTENER UC ----- 210 SERIAL 21058937 ----- SPACER ----- THRU 21059061 -----	5 5	
- 3	1213096-4 □	COVER-STATIONARY PANEL LH ----- ATTACHING PARTS -----	1	
- 4	HS49673P5001 NAS43004-16	FASTENER UC -- T210 SERIAL T210-0308 ----- SPACER ----- THRU T210-0392 -----	5 5	
- 4A	1213163-1	LAP SEAL -----	1	
- 5	1213116-1 □	COVER-CENTER PANEL ----- ATTACHING PARTS -----	1	
	S1022A6-6	SCREW -----	4	
- 6	C661010-0602 AN515B6R12	INDICATOR AIRSPEED ----- ATTACHING PARTS ----- SCREW -----	1 4	
- 7	C661010-0208	TRUE AIRSPEED INSTALLATION -----	NP	
- 8	0700162-6 0700162-4 0700162-3 0700162-7	INDICATOR-AIRSPEED ----- SPACER .071 THICKNESS ----- SPACER .063 THICKNESS ----- SPACER .051 THICKNESS ----- SPACER .040 THICKNESS -----	1 AR AR AR AR	
- 9	0700189-2	RING ASSEMBLY TRUE AIRSPEED -----	1	
-10	0700162-1	RETAINER ASSEMBLY TRUE AIRSPEED ----- ATTACHING PARTS -----	1	
-11	AN515B6R16	SCREW -----	4	
-12	C661003-0201 S1413N1	INDICATOR-TURN & BANK STANDARD ----- INDICATOR-TURN & BANK ----- ATTACHING PARTS -----	1 1	
	AN515B6R12	SCREW -----	4	
	2900-1	INDICATOR-TURN COORDINATOR USED WITH WING LEVELER ----- ATTACHING PARTS -----	1	
	AN515B6R16 AN340B6	SCREW ----- NUT -----	3 3	
-13	C661001-0501 C661001-0502 C661001-0503 C661001-0504 37570-0001	INDICATOR-HORIZONTAL GYRO ----- INDICATOR-HORIZONTAL GYRO ALTERNATE ----- INDICATOR-HORIZONTAL GYRO ALTERNATE ----- INDICATOR-HORIZONTAL GYRO ALTERNATE ----- INDICATOR-HORIZONTAL GYRO USED WITH NAV-O-MATIC 400 -----	1 1 1 1 1	
	AN520-6R10	ATTACHING PARTS ----- SCREW -----	4	
-14	C661002-0501 C661002-0502 C661002-0503 C661002-0301 30370-0100	INDICATOR-DIRECTIONAL GYRO ALTERNATE ----- INDICATOR-DIRECTIONAL GYRO ALTERNATE ----- INDICATOR-DIRECTIONAL GYRO ALTERNATE ----- INDICATOR-DIRECTIONAL GYRO ALTERNATE ----- INDICATOR-DIRECTIONAL GYRO USED WITH NAV-O-MATIC -----	1 1 1 1 1	
	AN520-6R10	ATTACHING PARTS ----- SCREW -----	3	
-15	S1317N2 AN515B6R12	CLOCK-ELECTRIC ----- ATTACHING PARTS ----- SCREW -----	1 3	
-16	S1414N1 AN515B6R12	GAGE-SUCTION ----- ATTACHING PARTS ----- SCREW -----	1 4	
CONTINUED ON NEXT PAGE				

FIGURE AND INDEX NO.	PART NUMBER	DESCRIPTION	UNITS PER ASSY	USABLE ON CODE
58A-17	C661011-0105	ALTIMETER-20000 FT FEET & INCHES -----	1	B
	C661011-0201	ALTIMETER-35000 FT FEET & INCHES -----	1	C
	C661011-0106	ALTIMETER-20000 FT FEET & MILLIBARS -----	1	B
	C661011-0202	ALTIMETER-35000 FT FEET & MILLIBARS -----	1	C
	AN515B6R16	ATTACHING PARTS SCREW -----	4	
-18	S1392N2	INDICATOR-VERTICAL SPEED ----- ATTACHING PARTS	1	
	AN515B6R12	SCREW -----	3	
-19		RADIO INSTALLATION SEE ELECTRONICS MANUAL -----	NP	
-20	C662001-0101	INDICATOR-DUAL-FUEL FLOW & MANIFOLD PRESSURE -----	1	
	C662001-0105	INDICATOR-DUAL-FUEL FLOW & MANIFOLD PRESSURE ----- ATTACHING PARTS	1	
	AN515B6R12	SCREW -----	4	
-21	S1305N10	TACHOMETER ----- ATTACHING PARTS	1	
	AN515B6R12	SCREW -----	4	
-22	C668501-0201	INDICATOR-POWER ECONOMY -----	1	
	C668501-0203	LEAD-POWER ECONOMY ----- ATTACHING PARTS	1	
	AN507B632R12	SCREW -----	4	
	MS20365B632C C7000-632-67	NUT ----- NUT TIN -----	4 4	
-23	C664501-0101	INDICATOR-HOURMETER ----- ATTACHING PARTS	1	
	AN507B632-6	SCREW -----	4	
-24	C669502-0202	INSTRUMENT CLUSTER ----- ATTACHING PARTS	1	
	AN507B832R24	SCREW -----	2	
	AN340B8	NUT -----	2	
	NAS43HT3-64	SPACER -----	2	
-25	441344	GAGE-FUEL SW -----	2	
-26	440437	AMMETER SW -----	1	
-27	G442702	GAGE-CYLINDER HEAD TEMPERATURE SW -----	1	
	811542	POTENTIOMETER ASSEMBLY SW -----	1	
-28	G444619	GAGE-OIL PRESSURE SW -----	1	
-29	442786	GAGE-OIL TEMPERATURE SW -----	1	
	G818827	LENS ASSEMBLY-INSTRUMENT PANEL -----	1	
	SEE FIG 73 & 74	SENDING UNIT-CYLINDER HEAD TEMPERATURE -----	1	
	25-240XP16 336R	HOLDER-LAMP LEGR INSTRUMENT CLUSTER LIGHTING ----- BULB GE INSTRUMENT CLUSTER LIGHTING -----	4 4	
-30	1213004-1	RETAINER-CALL LETTER ----- ATTACHING PARTS	1	
	S1022Z6-8B NAS446-2-1	SCREW ----- NUT -----	2 2	
-31	1205009-1	PLACARD-CALL LETTER -----	1	
-32	CM2692-15H18	PLUG BUTTON -----	3	
-33	CM2692-8H18	PLUG BUTTON -----	2	
-34	1213088-1	BROW ASSEMBLY ----- ATTACHING PARTS	1	
	1213052-8	RETAINER -----	1	
	S1021Z6R6	SCREW -----	7	
	S1021A6-6B	SCREW -----	10	
-35	1213052-9	COVER -----	1	
	S1268-9	CONTROL ASSEMBLY-DEFROSTER -----	1	
	S1241-22	CONTROL ASSEMBLY-AUX. CABIN AIR -----	1	
	S1241-21	CONTROL ASSEMBLY-CABIN AIR -----	1	
	S1241-20	CONTROL ASSEMBLY-CABIN HEAT -----	1	

CONTINUED ON NEXT PAGE

FIGURE AND INDEX NO.	PART NUMBER	DESCRIPTION	UNITS PER ASSY	USABLE ON CODE
		1 2 3 4 5 6 7		
58A-39	0513039-7	LIGHTER-CIGAR CUNO -----	1	
	L4858-1	PLUG-HEATING CUNO -----	1	
	S1752-2	KNOB-CIGAR LIGHTER -----	1	
-40	1260458-6	CONTROL ASSEMBLY-STOWABLE COPILOT PEDALS -----	1	
-41	S1220-8	CONTROL ASSEMBLY-MIXTURE -----	1	
	NAS43DD12-64	SPACER MIXTURE CONTROL -----	1	
	1213646-1	WASHER MIXTURE CONTROL -----	1	
-42	S1223-9	CONTROL ASSEMBLY-PROPELLER -----	1	
	NAS43DD12-64	SPACER PROPELLER CONTROL -----	1	
	1213646-1	WASHER PROPELLER CONTROL -----	1	
-43	S1222-18	CONTROL ASSEMBLY-THROTTLE -----	1	
	1213646-2	WASHER THROTTLE CONTROL -----	1	
-44	41163C14	LIGHT ASSEMBLY GBN -----	9	
	334	LAMP GE -----	1	
-45	SEE FIG 100B	CONTROLS DETAIL INSTALLATION-FLAP -----	1	
-46	1213005-1	COVER-SWITCH MOUNTING BRACKET -----	1	
		ATTACHING PARTS		
	AN507B632R7	SCREW -----	4	
		---*---		
-47	S1762-2	RECEIVER-ASH -----	2	
-48	0411030-5	RETAINER-ASH RECEIVER -----	2	
		ATTACHING PARTS		
	S1021Z4-8	SCREW -----	2	
		---*---		
-49	1213089-1	TRIM PANEL-LH -----	1	
-50	1213089-2	TRIM PANEL-RH -----	1	
		ATTACHING PARTS		
	S1021A6-6	SCREW -----	4	
		---*---		
-51	1213014-1	COVER-LOWER LH INSTRUMENT PANEL -----	1	
		ATTACHING PARTS		
	S1021A6-6C	SCREW -----	4	
		---*---		
-52	1213006-1	COVER-LOWER CENTER INSTRUMENT PANEL STANDARD -----	1	
	1213006-3	COVER-LOWER CENTER INSTRUMENT PANEL REQUIRED ON -----	1	
		AIRPLANES EQUIPPED WITH WING DE-ICE SYSTEM ONLY		
		ATTACHING PARTS		
	S1021A6-6	SCREW -----	4	
		---*---		
-53	0713861-1	TRIM ASSEMBLY-WOOD GRAIN-LH -----	1	
-54	0713861-3	TRIM ASSEMBLY-WOOD GRAIN-RH -----	1	
-55	1213045-2	COVER ASSEMBLY-SWITCH -----	1	
-56	1213047-1	COVER ASSEMBLY-CONTROL -----	1	
-57	1260094-1	COVER ASSEMBLY-CONTROL -----	1	
-58	SEE FIG 61	MAP COMPARTMENT INSTALLATION -----	1	
-59	SEE FIG 59A	SWITCH PANEL INSTALLATION -----	1	
-60	1213064-1	BRACKET ASSEMBLY-SWITCH MOUNTING -----	1	
	1213095-200	STATIONARY INSTRUMENT PANEL ASSEMBLY -----	1	
-61	1213141-6	PANEL-RH -----	1	
-62	1213094-1	PANEL-LH -----	1	
-63	1213141-5	PANEL-LOWER LH -----	1	
-64	1213059-1	PANEL ASSEMBLY-CENTER -----	1	
	NAS697A08	NUTPLATE -----	3	
-65	0713277-1	SUPPORT -----	1	
-66	1213151-1	SUPPORT -----	1	
-67	1213650-1	SUPPORT -----	1	
		ATTACHING PARTS		
	S1021Z8-8	SCREW -----	2	
	NAS446-4-3	NUT -----	2	
		---*---		

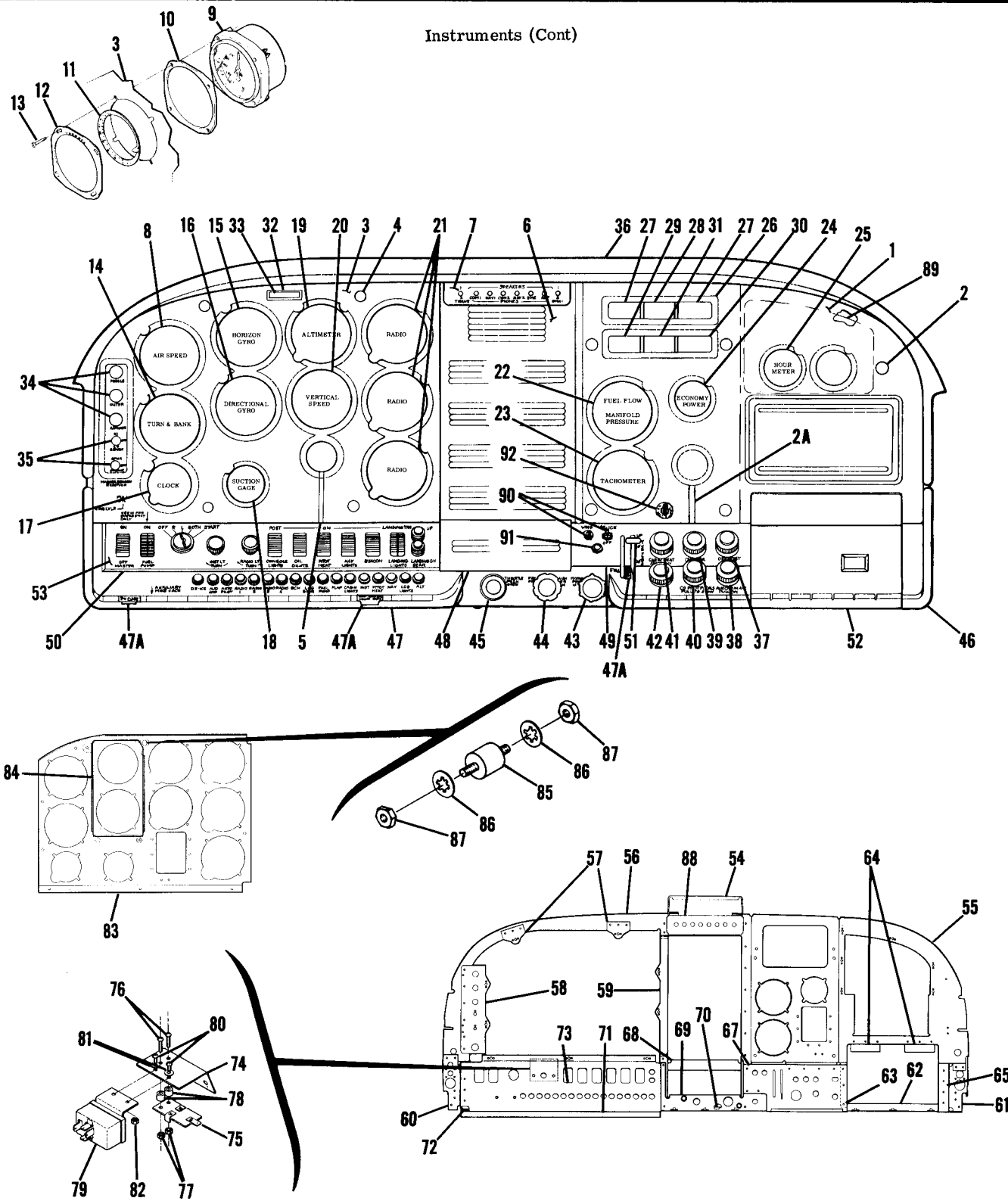
CONTINUED ON NEXT PAGE

FIGURE AND INDEX NO.	PART NUMBER	DESCRIPTION	UNITS PER ASSY	USABLE ON CODE
58A-68	1213081-1	SUPPORT-LOWER INSTRUMENT PANEL COVER -----	1	
-69	0713802-2	SUPPORT-LOWER INSTRUMENT PANEL COVER -----	1	
-70	1213632-1	BRACKET-LH -----	1	
-71	1213143-1	BRACKET-RH -----	1	
-71A	NAS557-8A	GRGMMET -----	1	
-72	0713779-1	ANGLE ASSEMBLY-DOOR MOUNTING -----	1	
	NAS679A08	NUTPLATE -----	3	
-73	1213145-1	BRACKET-GLOVE BOX MOUNTING -----	1	
-74	0713776-1	DOOR STOP -----	2	
-75	1213063-1	SUPPORT-PARKING BRAKE -----	1	
-76	1213062-1	SUPPORT -----	1	
-77	1213065-1	SUPPORT BRACKET ASSEMBLY -----	1	
	NAS697A06L	NUTPLATE -----	1	
-78	1213065-2	SUPPORT BRACKET ASSEMBLY -----	1	
	NAS697A06L	NUTPLATE -----	1	
-79	0713775-1	SUPPORT -----	1	
-80	0713809-1	CLIP -----	2	
-80A	1262001-1	MOUNTING BRACKET-FLAP CONTROL -----	1	
-81	0713276-1	SHOCK PANEL-GYRO -----	1	
		ATTACHING PARTS		
-82	1213645-1	MOUNT-SHOCK -----	4	
-83	AN936A8	WASHER -----	8	
-84	AN34088	NUT -----	8	
		---*---		
		BRACKET ASSEMBLY-RELAY MOUNTING-SPLIT BUS BAR -----	NP	
-85	0713856-2	BRACKET-RELAY -----	1	
-86	157C043-1	CICDE BOARD ASSEMBLY -----	1	
		ATTACHING PARTS		
-87	AN515-8R6	SCREW -----	2	
-88	MS21045-08	NUT -----	2	
-89	NAS43DD3-16	SPACER -----	2	
		---*---		
-90	S1668-1	RELAY-POWER -----	1	
		ATTACHING PARTS		
-91	AN515-8R6	SCREW -----	2	
-92	AN960-8	WASHER -----	2	
-93	MS21045-08	NUT -----	2	
		---*---		
-94	0700737-3	LIGHT ASSEMBLY-RADIO SWITCH PANEL RED -----	1	
		ATTACHING PARTS		
	S1021Z6-8	SCREW -----	2	
		---*---		
	0700737-7	COVER ASSEMBLY-LIGHT REC -----	1	
		ATTACHING PARTS		
	S1021Z2-5	SCREW -----	2	
		---*---		
	336	BULB GE -----	3	
-95	1215014-1	TRIM-LIGHT ASSEMBLY -----	1	
-96	301772	TIMER & CONTROL SWITCH WING DE-ICE GD -----	1	
-97	MS25041-3	LIGHT-PRESS TO TEST WING DE-ICE -----	1	
	MS25237-336	BULB WING DE-ICE -----	1	
-98	SEE FIG 126B	SWITCH & AMMETER PROPELLER DE-ICE -----	1	
<p>NOTE. #THIS PART NUMBER MUST HAVE A SECOND DASH NUMBER ADDED TO DENOTE COLOR. REFER TO HOW TO ORDER INTERIOR PARTS-PAGE VI.</p> <p>NOTE. %THESE PARTS ARE NOT APPLICABLE TO AIRPLANES EQUIPPED WITH POST LIGHTING. FOR REQUIRED PARTS SEE FIGURE 60A</p> <p>A---210 SERIAL 21058937 THRU 21059061 T210 SERIAL T210-0308 THRU T210-0392 B---210 SERIAL 21058937 THRU 21059061 C---T210 SERIAL T210-0308 THRU T210-0392</p>				

FIGURE AND INDEX NO.	PART NUMBER		DESCRIPTION	UNITS PER ASSY	USABLE ON CODE
			1 2 3 4 5 6 7		
58E-			INSTRUMENT PANEL EQUIPMENT INSTALLATION -----		A
- 1	1213138-11	*□	COVER ASSEMBLY-STATIONARY PANEL RH -----	1	
			ATTACHING PARTS -----		
- 2	S1898-1		FASTENER - 210 SERIAL 21059062 & ON-	5	
	NAS43DD4-16		SPACER -----	5	
			-----*		
- 2A	S1586-1		CHANNEL 2.00 IN LG BULK ITEM REF S1586-1-2.00 -----	1	
- 3	1213096-6	*□	COVER-STATIONARY PANEL LH -----	1	
			ATTACHING PARTS -----		
- 4	S1898-1		FASTENER T210 SERIAL T210-0393 & ON	4	
	NAS43DD4-16		SPACER -----	4	
			-----*		
- 5	1213163-1		LAP SEAL -----	1	
- 6	1213116-1	□	COVER-CENTER PANEL -----	1	
			ATTACHING PARTS -----		
	S1022A6-6C		SCREW -----	4	
			-----*		
- 7	1213005-1	□	COVER-SWITCH MOUNTING BRACKET -----	1	
			ATTACHING PARTS -----		
	AN507B632R7		SCREW -----	4	
			-----*		
- 8	C661010-0602		INDICATOR-AIR SPEED -----	1	
			ATTACHING PARTS -----		
	AN515B6R12		SCREW -----	4	
			-----*		
- 9	C661010-0208		TRUE AIRSPEED INSTALLATION -----	NP	
-10	C700162-6		INDICATOR-AIR SPEED -----	1	
	C700162-4		SPACER .071 THICKNESS -----	AR	
	C700162-3		SPACER .063 THICKNESS -----	AR	
	C700162-7		SPACER .051 THICKNESS -----	AR	
	C700189-2		SPACER .040 THICKNESS -----	AR	
-11	C700189-2		RING ASSEMBLY TRUE AIRSPEED -----	1	
-12	C700162-1		RETAINER ASSEMBLY TRUE AIRSPEED -----	1	
			ATTACHING PARTS -----		
-13	AN515B6R16		SCREW -----	4	
			-----*		
-14	C661003-0501		INDICATOR-TURN & BANK -----	1	
			ATTACHING PARTS -----		
	AN515B6R12		SCREW -----	4	
			-----*		
	2900-1		INDICATOR-TURN COORDINATOR USED WITH WING LEVELER -----	1	
			ATTACHING PARTS -----		
	AN515B6R16		SCREW -----	3	
	AN340B6		NUT -----	3	
			-----*		
-15	C661001-0501		INDICATOR-HORIZONTAL GYRO -----	1	
	C661001-0502		INDICATOR-HORIZONTAL GYRO ALTERNATE -----	1	
	C661001-0503		INDICATOR-HORIZONTAL GYRO ALTERNATE -----	1	
	C661001-0504		INDICATOR-HORIZONTAL GYRO ALTERNATE -----	1	
	37570-C001		INDICATOR-HORIZONTAL GYRO USED WITH NAV-O-MATIC 400 -----	1	
			ATTACHING PARTS -----		
	AN520-6R10		SCREW -----	4	
			-----*		
-16	C661002-0501		INDICATOR-DIRECTIONAL -----	1	
	C661002-0502		INDICATOR-DIRECTIONAL ALTERNATE -----	1	
	C661002-0503		INDICATOR-DIRECTIONAL ALTERNATE -----	1	
	C661002-0301		INDICATOR-DIRECTIONAL ALTERNATE -----	1	
	3C370-0100		INDICATOR-DIRECTIONAL USED WITH NAV-O-MATIC 300 & 400 -----	1	
			ATTACHING PARTS -----		
	AN520-6R10		SCREW -----	3	
			-----*		
-17	S1317N2		CLOCK-ELECTRIC -----	1	
			ATTACHING PARTS -----		
	AN515B6R12		SCREW -----	3	
			-----*		

CONTINUED ON NEXT PAGE

Instruments (Cont)



210 SERIAL 21059062 & ON
T210 SERIAL T210-0393 & ON

Figure 58B. Instrument Panel Equipment Installation



FIGURE AND INDEX NO.	PART NUMBER	DESCRIPTION	UNITS PER ASSY	USABLE ON CODE
58B-18	S1414N1	GAGE-SUCTION ----- ATTACHING PARTS -----	1	
	AN515B6R12	SCREW ----- -----*	4	
-19	C661011-0105	ALTIMETER 2000OFT FEET & INCHES -----	1	B
	C661011-0201	ALTIMETER 3500OFT FEET & INCHES -----	1	C
	C661011-0106	ALTIMETER 2000OFT FEET & MILLIBARS -----	1	B
	C661011-0202	ALTIMETER 3500OFT FEET & MILLIBARS ----- ATTACHING PARTS -----	1	C
	AN515B6R16	SCREW ----- -----*	4	
-20	S1392N2	INDICATOR-VERTICAL SPEED ----- ATTACHING PARTS -----	1	
	AN515B6R12	SCREW ----- -----*	3	
-21		RADIO INSTALLATION SEE ELECTRONICS MANUAL -----	NP	
-22	C662001-0202	INDICATOR-DUAL-FUEL FLOW & MANIFOLD PRESSURE -----	1	B
	C662001-0203	INDICATOR-DUAL-FUEL FLOW & MANIFOLD PRESSURE ----- ATTACHING PARTS -----	1	C
	AN515B6R12	SCREW ----- -----*	4	
-23	S1305N10	TACHOMETER ----- ATTACHING PARTS -----	1	
	AN515B6R12	SCREW ----- -----*	4	
-24	C668501-0201	INDICATOR-POWER ECONOMY -----	1	
	C668201-0203	LEAD-POWER ECONOMY ----- ATTACHING PARTS -----	1	
	AN507B632R12	SCREW -----	4	
	MS20365B632C	NUT -----	4	
	C7000-632-67	NUT TIN ----- -----*	4	
-25	C664501-0101	INDICATOR-HOURMETER ----- ATTACHING PARTS -----	1	
	AN507B632-6	SCREW ----- -----*	4	
-26	C669502-0202	INSTRUMENT CLUSTER ----- ATTACHING PARTS -----	1	
	AN507B832R24	SCREW -----	2	
	AN34088	NUT -----	2	
	NAS43HT3-64	SPACER ----- -----*	2	
-27	441344	FUEL SW -----	1	
-28	440437	AMMETER SW -----	1	
-29	G442702	GAGE-CYLINDER HEAD TEMPERATURE SW -----	1	
	811542	POTENTIOMETER ASSEMBLY SW -----	1	
-30	G444619	GAGE-OIL PRESSURE SW -----	1	
-31	442786 -63	GAGE-OIL TEMPERATURE SW -----	1	
	G818827	LENS ASSEMBLY-INSTRUMENT PANEL -----	1	
	SEE FIG 73 & 74	SENDING UNIT-CYLINDER HEAD TEMPERATURE -----	1	
	S1902-1	BASE-LAMP INSTRUMENT CLUSTER LIGHTING -----	4	
	S1894-1	BULB INSTRUMENT CLUSTER LIGHTING -----	4	
-32	1213004-1	RETAINER-CALL LETTER ----- ATTACHING PARTS -----	1	
	S1022Z6-8B	SCREW -----	2	
	NAS446-2-1	NUT ----- -----*	2	
-33	1205009-1	PLACARD-CALL LETTER -----	1	
-34	CM2692-15H1B	PLUG BUTTON -----	3	
-35	CM2692-8H1B	PLUG BUTTON -----	2	

CONTINUED ON NEXT PAGE

FIGURE AND INDEX NO.	PART NUMBER	DESCRIPTION	UNITS PER ASSY							USABLE ON CODE	
			1	2	3	4	5	6	7		
58B-36	1213173-1	BROW ASSEMBLY ----- ATTACHING PARTS -----								1	
	S1021Z6R6	SCREW -----								7	
	S1021A6-6B	SCREW -----								10	
	S1145-1	RETAINER ----- -----*								1	
	1213173-2	COVER-BROW ----- INSTRUMENT PANEL BROW LIGHTS INSTALLATION -----								1	
	SEE FIG 129C									1	
-37	S1268-9	CONTROL ASSEMBLY-DEFROST -----								1	
-38	S1241-22	CONTROL ASSEMBLY-AUX. CABIN AIR -----								1	
-39	S1241-21	CONTROL ASSEMBLY-CABIN AIR -----								1	
-40	1260458-6	CONTROL ASSEMBLY-STOWABLE COPILOT PEDALS -----								1	
-41	S1241-20	CONTROL ASSEMBLY-CABIN HEAT -----								1	
-42	0513039-7	LIGHTER-CIGAR CUNC -----								1	
	L4858-1	PLUG-HEATING CUNC -----								1	
	S1752-6	KNOB-CIGAR LIGHTER -----								1	
-43	S1220-8	CONTROL ASSEMBLY-MIXTURE -----								1	
	NAS43DD12-64	SPACER MIXTURE CONTROL -----								1	
	1213646-1	WASHER MIXTURE CONTROL -----								1	
-44	S1223-9	CONTROL ASSEMBLY-PROPELLER -----								1	
	NAS43DD12-64	SPACER PROPELLER CONTROL -----								1	
	1213646-1	WASHER PROPELLER CONTROL -----								1	
-45	S1222-18	CONTROL ASSEMBLY-THROTTLE -----								1	
	1213646-2	WASHER THROTTLE CONTROL -----								1	
-46	1213189-1	COVER-INSTRUMENT PANEL LOWER RH ----- ATTACHING PARTS -----	□							1	
	S1021A6-6B	SCREW ----- -----*								1	
-47	1213174-2	COVER ASSEMBLY-INSTRUMENT PANEL LOWER ----- ATTACHING PARTS -----	□							1	
	S1221A6-6B	SCREW ----- -----*								8	
-47A	SEE FIG 2	PLACARD -----								3	
-48	1213190-1	COVER-CENTER PANEL -----	□							1	
-49	1213192-3	PANEL ASSEMBLY-ELECTROLUMINESCENT LOWER RH -----								1	
-50	1213191-1	PANEL-ELECTROLUMINESCENT LOWER LH -----								1	
-51	SEE FIG 100B	CONTROLS DETAIL INSTALLATION-FLAP -----								1	
-52	SEE FIG 61	MAP COMPARTMENT INSTALLATION -----								1	
-53	SEE FIG 59B	SWITCH PANEL INSTALLATION -----								1	
	1213165-200	STATIONARY INSTRUMENT PANEL ASSEMBLY -----								1	
-54	1213295-1	STIFFENER ASSEMBLY -----								1	
	NAS697A06L	NUTPLATE -----								4	
-55	1213141-10	PANEL ASSEMBLY-RH -----								1	
	NAS697A06L	NUTPLATE -----								6	
-56	1213167-1	BULKHEAD ASSEMBLY -----								1	
-57	1213169-2	SUPPORT ASSEMBLY -----								2	
	NAS697A3K	NUTPLATE -----								1	
-58	1213167-3	SUPPORT ASSEMBLY LH -----								1	
	NAS697A3	NUTPLATE -----								2	
-59	1213167-1	SUPPORT ASSEMBLY LH PANEL -----								1	
	NAS697A3K	NUTPLATE -----								2	
-60	1213632-1	BRACKET-LH -----								1	
-61	1213143-1	BRACKET-RH -----								1	
-62	0713779-1	ANGLE ASSEMBLY-DOOR MOUNTING -----								1	
	NAS679A08	NUTPLATE -----								3	
-63	1213145-1	BRACKET-GLOVE BOX MOUNTING -----								1	
-64	0713776-1	DOOR STOP -----								2	
-65	0713809-1	CLIP -----								2	
-66		DELETED, NEVER USED -----									
-67	1213141-1	PANEL-LOWER RH -----								1	
-68	1213650-1	SUPPORT ----- ATTACHING PARTS -----								1	
	S1021Z8-8	SCREW -----								2	
	NAS446-4-3	NUT ----- -----*								2	

CONTINUED ON NEXT PAGE

FIGURE AND INDEX NO.	PART NUMBER	DESCRIPTION	UNITS PER ASSY	USABLE ON CODE
		1 2 3 4 5 6 7		
58B-69	1213059-1	PANEL ASSEMBLY-LOWER CENTER -----	1	
	1213162-1	SPACER -----	1	
	NAS697A08	NUTPLATE -----	3	
-70	0713775-2	REINFORCEMENT -----	1	
-71	1213063-1	SUPPORT-PARKING BRAKE -----	1	
-72	1213062-1	SUPPORT -----	1	
-73	1213193-2	PANEL-SWITCH -----	1	
	NAS697A3	NUTPLATE -----	3	
		BRACKET ASSEMBLY-RELAY MOUNTING-SPLIT BUS BAR -----	NP	
-74	0713856-2	BRACKET-RELAY -----	1	
-75	1570043-1	DIODE BOARD ASSEMBLY -----	1	
		ATTACHING PARTS		
-76	AN515-8R6	SCREW -----	2	
-77	MS21045-08	NUT -----	2	
-78	NAS43DD3-16	SPACER -----	2	
		---*---		
-79	S1668-1	RELAY-POWER -----	1	
		ATTACHING PARTS		
-80	AN515-8R6	SCREW -----	2	
-81	AN960-8	WASHER -----	2	
-82	MS21045-08	NUT -----	2	
		---*---		
-83	1213168-1	INSTRUMENT PANEL-REMOVABLE -----	1	
-84	1213170-1	SHOCK PANEL-GYRO -----	1	
		ATTACHING PARTS		
-85	1213645-1	MOUNT-SHOCK -----	4	
-86	AN936A8	WASHER -----	8	
-87	AN340B8	NUT -----	8	
		---*---		
-88	1213064-1	BRACKET ASSEMBLY-SWITCH MOUNTING -----	1	
	SEE FIG 128	INVERTER PACK-ELECTROLUMINESCENT PANEL -----	1	
-89	1213294-1	COVER-INSTRUMENT PANEL ACCESS HOLE -----	1	
		ATTACHING PARTS		
	NAS601-5	SCREW -----	6	
		---*---		
-90	3D1772	TIMER & CONTROL SWITCH-WING DE-ICE GD -----	1	
-91	MS25041-3	LIGHT-WING DE-ICE -----	1	
	MS25237-330	BULB-WING DE-ICE -----	1	
-92	SEE FIGURE 126B	SWITCH & AMMETER PROPELLER DE-ICE -----	1	
<p>NOTE. □THIS PART NUMBER MUST HAVE A SECOND DASH NUMBER ADDED TO DENOTE COLOR. REFER TO HOW TO ORDER INTERIOR PARTS-PAGE VI.</p> <p>NOTE. *THESE PARTS ARE NOT APPLICABLE TO AIRPLANES EQUIPPED WITH POST LIGHTING. FOR REQUIRED PARTS SEE FIGURE 60B.</p> <p>A---210 SERIAL 21059C62 & ON T210 SERIAL T210-0393 & ON B---210 SERIAL 21059C62 & ON C---T210 SERIAL T210-0393 & ON</p>				

Instruments (Cont)

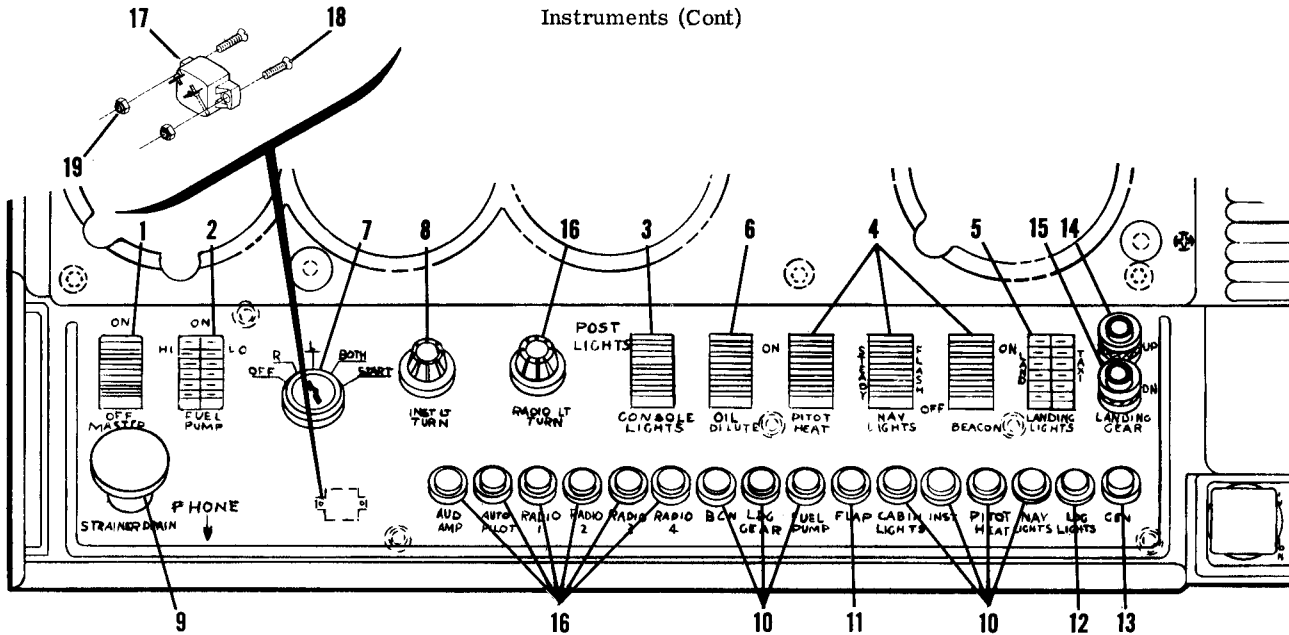


Figure 59. Switch Panel Installation

FIGURE AND INDEX NO.	PART NUMBER	DESCRIPTION	UNITS PER ASSY							USABLE ON CODE	
			1	2	3	4	5	6	7		
59 -		SWITCH PANEL INSTALLATION -----								NP	A
- 1	S1159-1-1 077C719-1	SWITCH-MASTER -----								1	
- 2	S1160-1-2	DIODE ASSEMBLY MOUNTED ON BACK OF MASTER SWITCH -----								1	
- 3	S1238-2-1	SWITCH-FUEL PUMP -----								1	
- 4	S1158-2-1	SWITCH-CONSOLE LIGHTS -----								1	
- 5	S1160-1-1	SWITCH-LANDING LIGHT -----								1	
	AN5C7B632R4	ATTACHING PARTS									
		SCREW -----								2	
		-----*									
- 6	S1158-1-1	SWITCH-OIL DILUTION -----								1	
	AN5C7-632R3	ATTACHING PARTS									
		SCREW -----								2	
		-----*									
- 7	C292501-0102 *	SWITCH & LOCK KIT-IGNITION -----								1	
- 8	R12 1/2-8RS34 XR6637	RHEOSTAT-INSTRUMENT LIGHT TRTA WHEN EXHAUSTED USE XR6637 -----								1	
	S1163-2	RHEOSTAT-INSTRUMENT LIGHT MEMI -----								1	
- 9	S1533-3 S15C3-1	KNOB-RHEOSTAT -----								1	
-10	S1360-10	CONTROL-STRAINER DRAIN -----								1	
-11	S1360-15	KNOB-CONTROL -----								1	
-12	S1360-20	CIRCUIT BREAKER -----								6	
-13	S1596-60	CIRCUIT BREAKER -----								1	
-14	VM911M4A 1C850M3 330	CIRCUIT BREAKER -----								1	
-15	VM920M3 1C850M3 330	LIGHT ASSEMBLY MDAQ -----								1	
		LENS-AMBER -----								1	
		LAMP ASSEMBLY GE -----								1	
-16	C713854-1 C713854-2	LIGHT ASSEMBLY MDAQ -----								1	
		LENS-GREEN -----								1	
		LAMP ASSEMBLY GE -----								1	
-17	CA2	RADIO INSTALLATION SEE ELECTRONICS MANUAL -----								NP	
-18	AN5C7-832-8	BUS BAR -----								1	
-19	NAS679A08	BUS BAR -----								1	
		CIRCUIT BREAKER -----								1	
		ATTACHING PARTS									
		SCREW -----								2	
		NUT -----								2	
		-----*									
NOTE. *THIS KIT ALSO INCLUDES TWO DOOR LOCKS AND FOUR KEYS.											
A---210 SERIAL 21058819 THRU 21058936 T210 SERIAL T210-0198 THRU T210-0307											

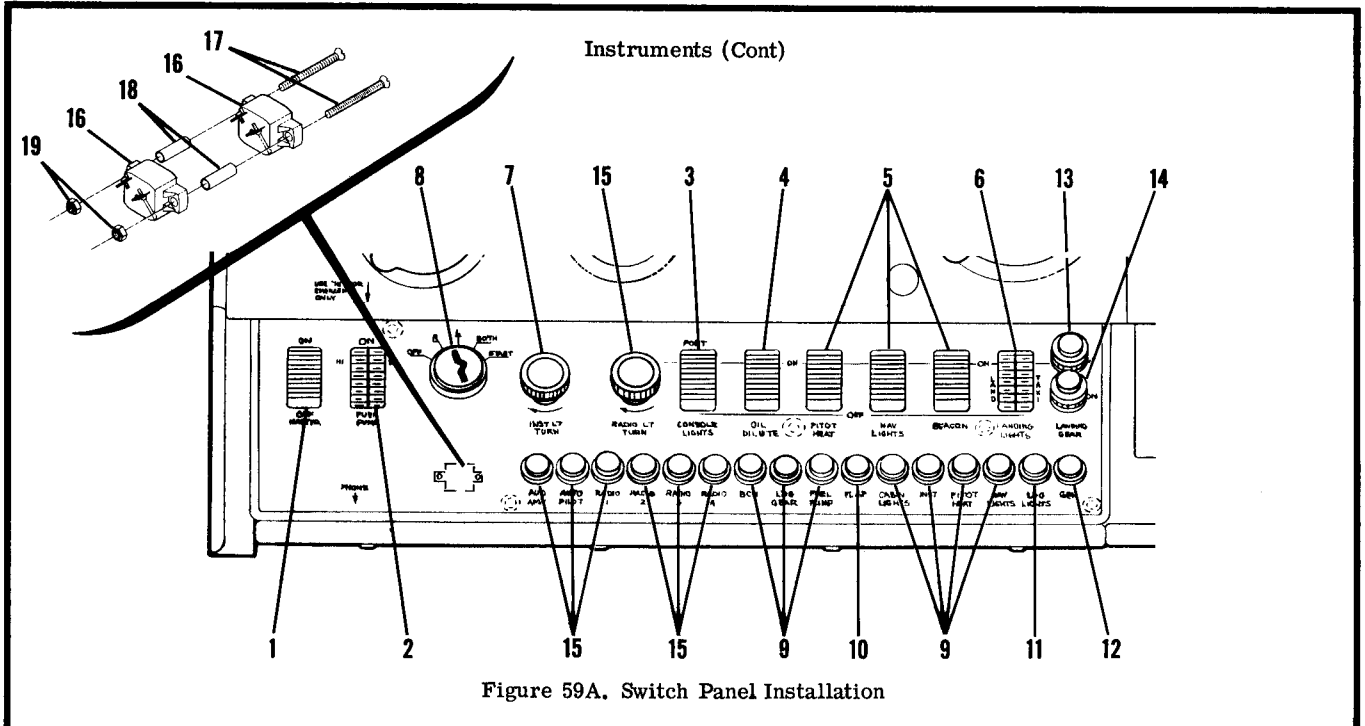
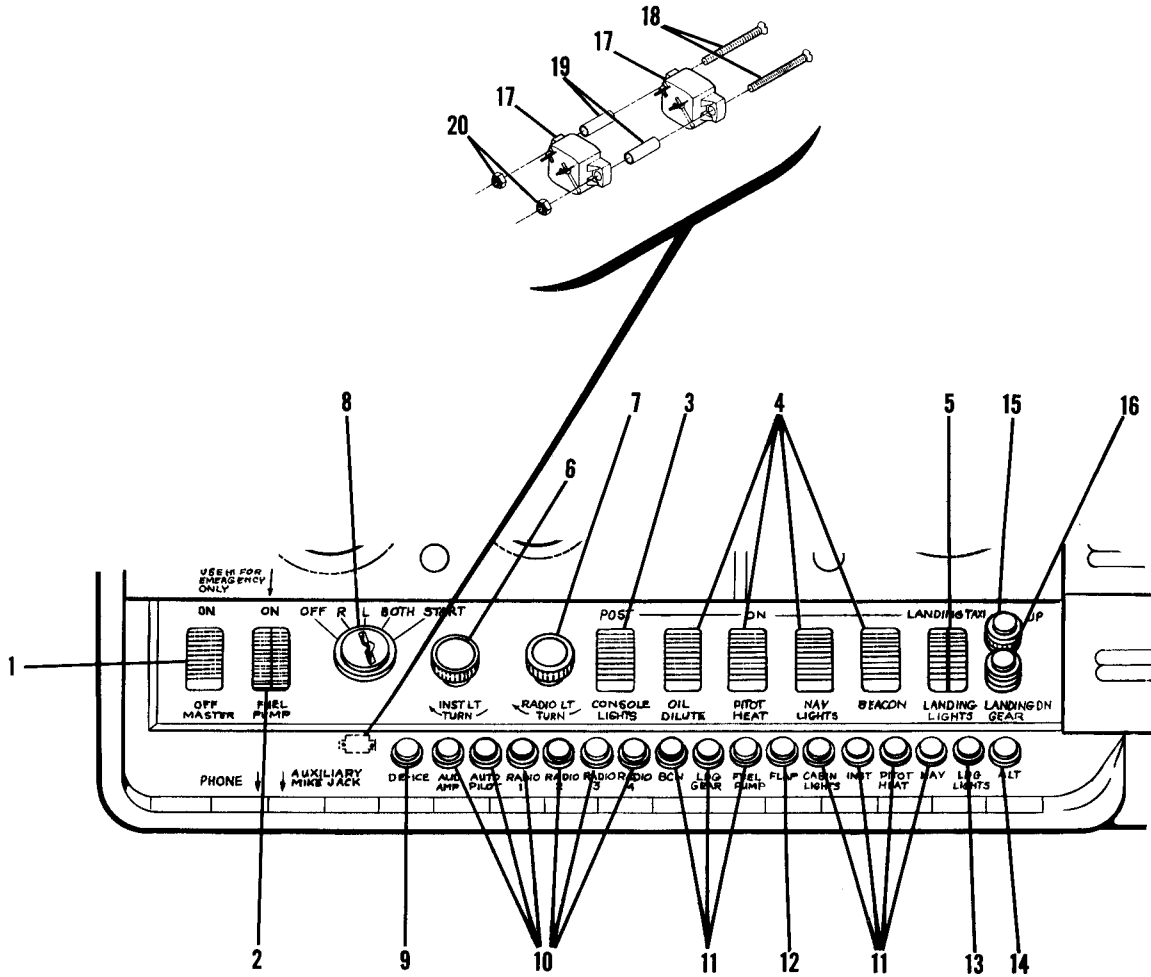


Figure 59A. Switch Panel Installation

FIGURE AND INDEX NO.	PART NUMBER	DESCRIPTION	UNITS PER ASSY	USABLE ON CODE
		1 2 3 4 5 6 7		
59A-		SWITCH PANEL INSTALLATION -----	NP	A
- 1	S1159-1-1	SWITCH-MASTER -----	1	
	0770719-1	DIODE ASSEMBLY MOUNTED ON BACK OF MASTER SWITCH -----	1	
- 2	S1160-1-2	SWITCH-FUEL PUMP -----	1	
- 3	S1238-2-1	SWITCH-CONSOLE LIGHTS -----	1	
- 4	S1158-1-1	SWITCH-OIL DILUTION -----	1	
- 5	S1158-2-1	SWITCH -----	3	
- 6	S1160-1-1	SWITCH-LANDING LIGHTS -----	1	
	AN507-632R4	ATTACHING PARTS		
		SCREW -----	2	
- 7	R121/2-8RS34	RHEOSTAT-INSTRUMENT LIGHT TRTA WHEN EXHAUSTED USE XR6637 -----	1	B
	XR6637	RHEOSTAT-INSTRUMENT LIGHT MEMI -----	1	C
	S1163-2	KNOB-INSTRUMENT LIGHT -----	1	
- 8	C292501-0102 *	SWITCH & LOCK KIT-IGNITION -----	1	
- 9	S1360-10	CIRCUIT BREAKER -----	6	
-10	S1360-15	CIRCUIT BREAKER -----	1	
-11	S1360-20	CIRCUIT BREAKER -----	1	
-12	S1596-60	CIRCUIT BREAKER -----	1	
	0713854-1	BUS BAR -----	1	
	0713854-2	BUS BAR -----	1	
-13	VM911M4A	LIGHT ASSEMBLY MDAQ -----	1	
	10850M4	LENS-AMBER -----	1	
	330	LAMP ASSEMBLY GE -----	1	
-14	VM920M3	LIGHT ASSEMBLY MDAQ -----	1	
	10850M3	LENS-AMBER -----	1	
	330	LAMP ASSEMBLY GE -----	1	
-15		RADIO INSTALLATION SEE ELECTRONICS MANUAL -----	NP	
-16	CA2	CIRCUIT BREAKER -----	2	
		ATTACHING PARTS		
-17	AN507-832-32	SCREW -----	2	
-18	NAS43003-64	SPACER -----	2	
-19	NAS679A08	NUT -----	2	
		NOTE. *THIS KIT ALSO INCLUDES TWO DOOR LOCKS & FOUR KEYS.		
		A---210 SERIAL 21058937 THRU 21059061 T210 SERIAL T210-0308 THRU T210-0392		
		B---210 SERIAL 21058937 THRU 21059033 T210 SERIAL T210-0308 THRU T210-0378		
		C---210 SERIAL 21059034 THRU 21059061 T210 SERIAL T210-0379 THRU T210-0392		

Instrument (Cont)

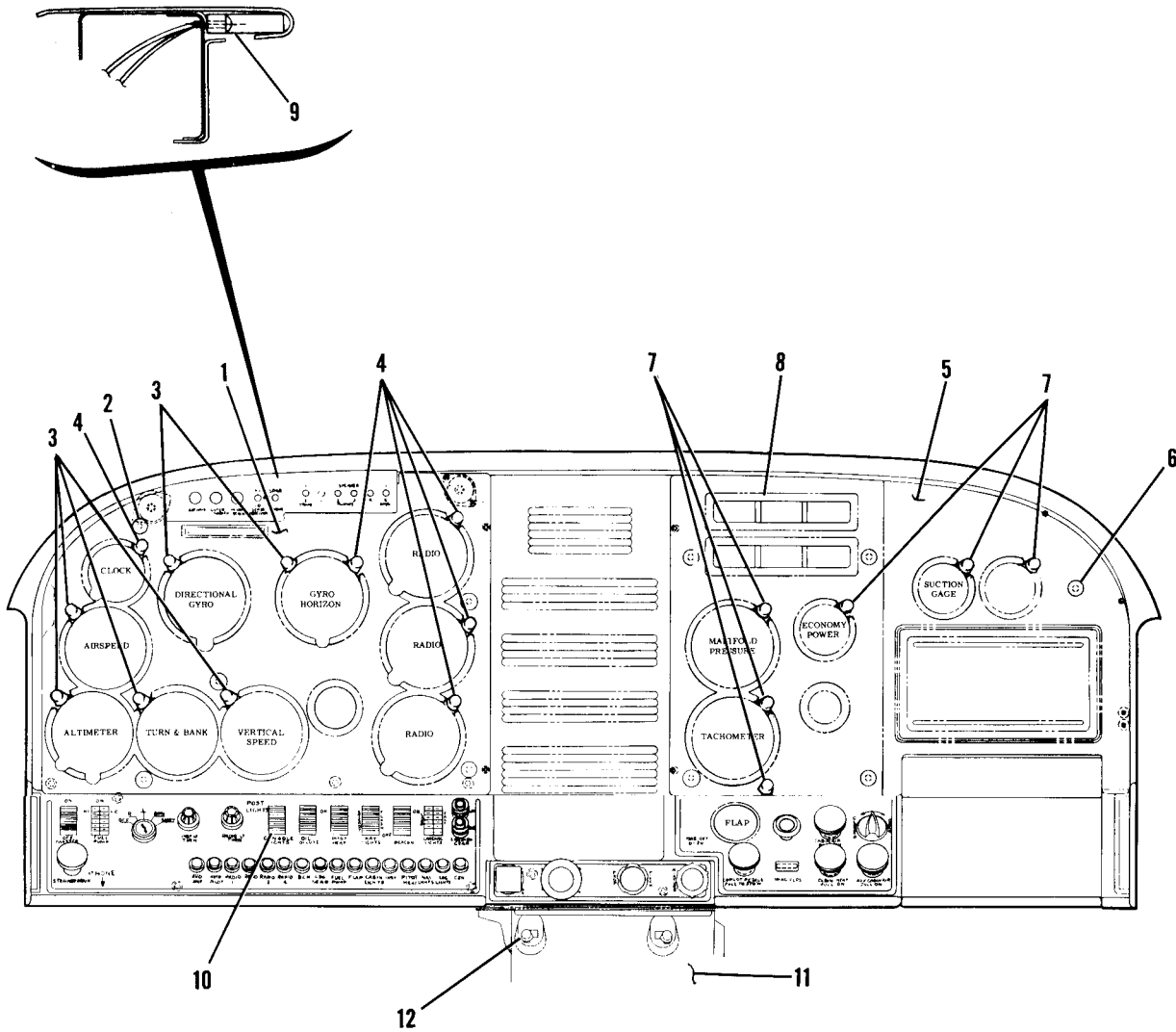


210 SERIAL 21059062 & ON
T210 SERIAL T210-0393 & ON

Figure 59B. Switch Panel Installation

FIGURE AND INDEX NO.	PART NUMBER	DESCRIPTION	UNITS PER ASSY	USABLE ON CODE
		1 2 3 4 5 6 7		
598-		SWITCH PANEL INSTALLATION -----	NP	A
- 1	S1844-1-1	SWITCH-MASTER -----	1	
	0770719-2	DIODE ASSEMBLY MOUNTED ON BACK OF MASTER SWITCH -----	1	
- 2	S1846-1-2	SWITCH-FUEL PUMP -----	1	
- 3	S1847-1-1	SWITCH-CONSOLE LIGHTS -----	1	
- 4	S1845-1-1	SWITCH -----	4	
- 5	S1846-1-1	SWITCH-LANDING LIGHTS -----	1	
	AN507-632R4	ATTACHING PARTS -----		
		SCREW -----	2	
		*-----		
- 6	XR6637	RHEOSTAT-INSTRUMENT MEMI -----	1	
	S1163-2	KNOB-INSTRUMENT LIGHT -----	1	
- 7		RADIO INSTALLATION SEE ELECTRONICS MANUAL -----	NP	
- 8	C292501-0102	SWITCH & LOCK KIT-IGNITION -----	1	
- 9	S1360-5	CIRCUIT BREAKER -----	1	
-10		RADIO INSTALLATION SEE ELECTRONICS MANUAL -----	NP	
-11	S1360-10	CIRCUIT BREAKER -----	6	
-12	S1360-15	CIRCUIT BREAKER -----	1	
-13	S1360-20	CIRCUIT BREAKER -----	1	
-14	S1596-60	CIRCUIT BREAKER -----	1	
	0713854-1	BUS BAR-ELECTRONICS -----	1	
	0713854-2	BUS BAR-PRIMARY -----	1	
-15	VM911M4A	LIGHT ASSEMBLY MDAQ -----	1	
	10850M4	LENS-AMBER -----	1	
	330	LAMP ASSEMBLY GE -----	1	
-16	VM920M3	LIGHT ASSEMBLY MDAQ -----	1	
	10850M3	LENS-AMBER -----	1	
	330	LAMP ASSEMBLY GE -----	1	
-17	CA2	CIRCUIT BREAKER -----	2	
		ATTACHING PARTS -----		
-18	AN507-832-32	SCREW -----	2	
-19	NAS43003-64	SPACER -----	2	
-20	NAS679A08	NUT -----	2	
		*-----		
<p>NOTE. *THIS KIT ALSO INCLUDES TWO DOOR LOCKS & FOUR KEYS.</p> <p>A---210 SERIAL 21059062 & ON T210 SERIAL T210-0393 & ON</p>				

Instrument (Cont)

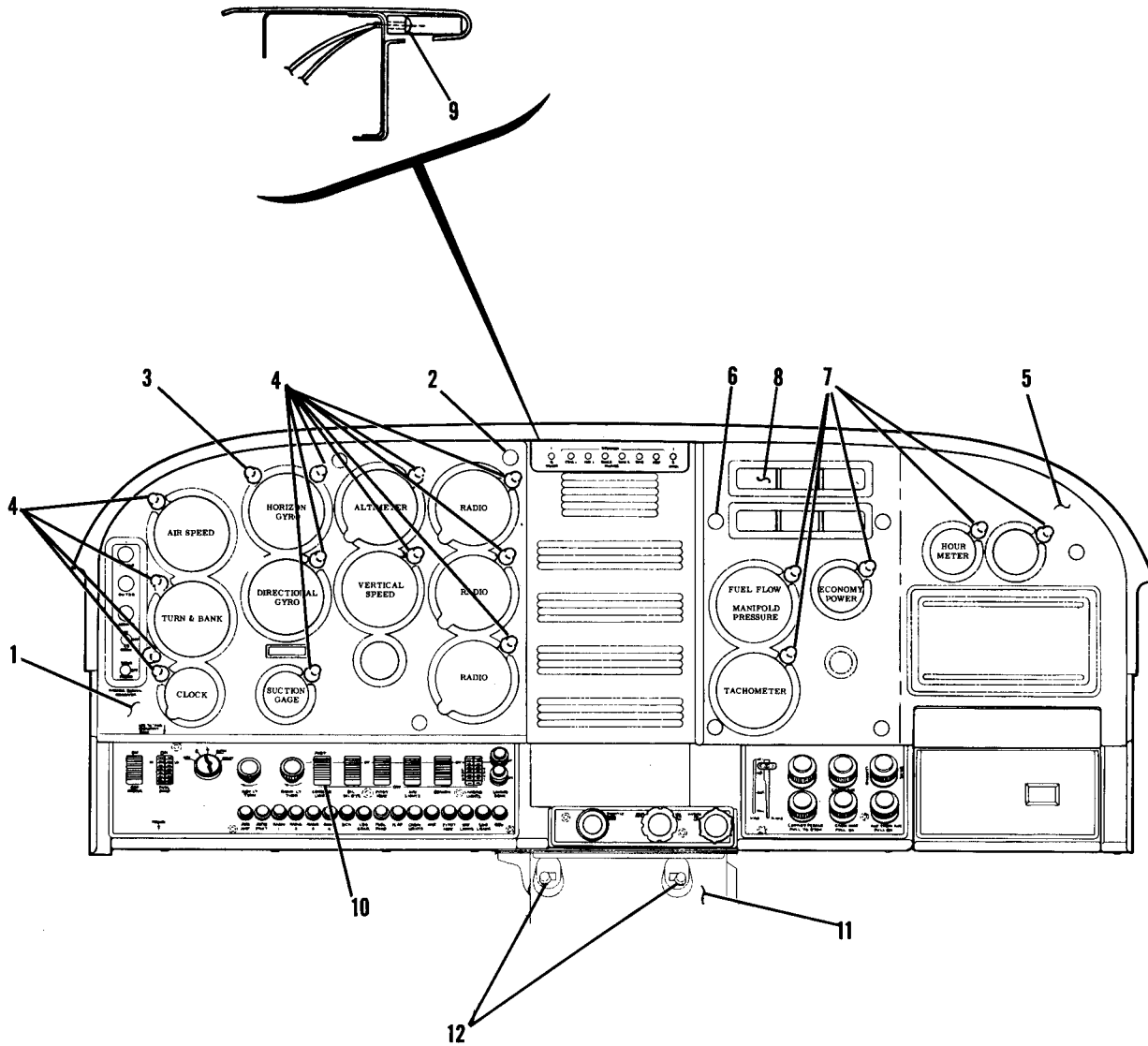


**210 SERIAL 21058819 THRU 21058936
T210 SERIAL T210-0198 THRU T210-0307**

Figure 60. Post Lighted Instrument Panel Installation

FIGURE AND INDEX NO.	PART NUMBER	1	2	3	4	5	6	7	DESCRIPTION	UNITS PER ASSY	USABLE ON CODE
60 -									POST LIGHTED INSTRUMENT PANEL INSTALLATION -----	NP	A
- 1	1200727-23	□							COVER ASSEMBLY-POST LIGHTED INSTRUMENT SHOCK PANEL ----- EQUIPPED WITH NAV-C-MATIC 400	1	
	1200727-25	□							COVER ASSEMBLY-POST LIGHTED INSTRUMENT SHOCK PANEL -----	1	
	1200727-27	□							COVER ASSEMBLY-POST LIGHTED INSTRUMENT SHOCK PANEL ----- EQUIPPED WITH NAV-C-MATIC 300	1	
- 2	HS49673P5001 NAS43DD4-16								ATTACHING PARTS FASTENER UC ----- SPACER -----	4 4	
									210 SERIAL 21058819 THRU 21058936		
- 3	5952-3LH-CW14								PANEL LIGHT-TAB MOUNT GBN -----	6	
- 4	5952-3RH-CW14								PANEL LIGHT-TAB MOUNT GBN -----	5	
	C65-2CW12								CAP & PRISM ASSEMBLY GBN -----	1	
	330								LAMP GE -----	1	
- 5	1200727-19	□							COVER ASSEMBLY-POST LIGHTED STATIONARY INSTRUMENT PANEL -----	1	
									ATTACHING PARTS		
- 6	HS49673P5001 NAS43DD4-16								FASTENER UC ----- SPACER -----	5 5	
									T210 SERIAL T210-0198 THRU T210-0307		
- 7	5952-3RH-CW14								PANEL LIGHT-TAB MOUNT GBN -----	6	
	C65-2CW12								CAP & PRISM ASSEMBLY GBN -----	1	
	330								LAMP GE -----	1	
- 8	1813/2LW1								JACKET-BULB BLUE APMH -----	4	
	336								BULB-CLEAR GE -----	4	
- 9	0700737-2								LIGHT ASSEMBLY-RADIO SWITCH PANEL RED -----	1	
	0700737-3								LIGHT ASSEMBLY-RADIO SWITCH PANEL WHITE -----	1	
	0700737-8								COVER ASSEMBLY WHITE -----	1	
	0700737-7								COVER ASSEMBLY RED -----	1	
	336								LAMP GE -----	3	
-10	S1238-2-1								SWITCH -----	1	
									ATTACHING PARTS		
	AN507-632R3								SCREW -----	2	
									RESISTOR TRTA -----	1	
-11	FRL5-2								COVER ASSEMBLY-POST LIGHTED PEDESTAL -----	1	
-12	SEE FIG 49								PANEL LIGHT-TAB MOUNT GBN -----	2	
	5952-3LH-CW14								CAP & PRISM ASSEMBLY GBN -----	1	
	C65-2CW12								LAMP GE -----	1	
	330										
<p>NOTE. □ THIS PART NUMBER MUST HAVE A SECOND DASH NUMBER ADDED TO DENOTE COLOR. REFER TO HOW TO ORDER INTERIOR PARTS-PAGE VI.</p> <p>A---210 SERIAL 21058819 THRU 21058936 T210 SERIAL T210-0198 THRU T210-0307</p>											

Instruments (Cont)

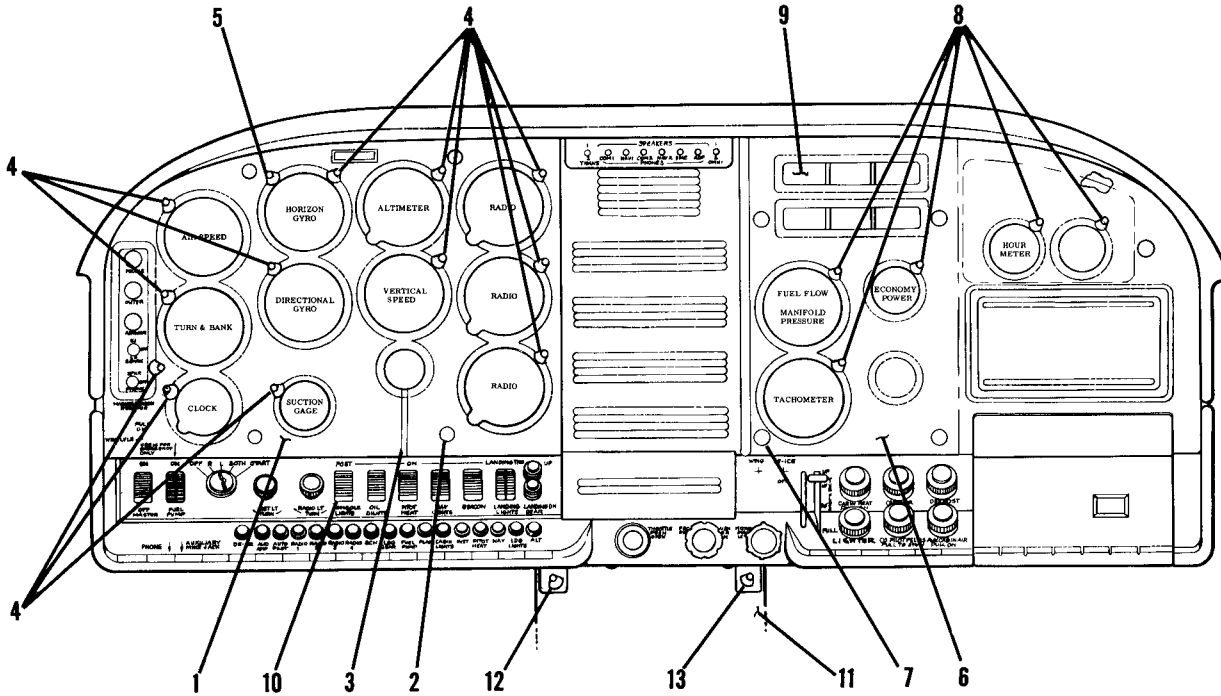


210 SERIAL 21058937 THRU 21059061
T210 SERIAL T210-0308 THRU T210-0392

Figure 60A. Post Lighted Instrument Panel Installation

FIGURE AND INDEX NO.	PART NUMBER		DESCRIPTION	UNITS PER ASSY	USABLE ON CODE
60A-			1 2 3 4 5 6 7		
- 1	1213096-2	□	POST LIGHTED INSTRUMENT PANEL INSTALLATION COVER ASSEMBLY-POST LIGHTED INSTRUMENT PANEL ATTACHING PARTS	NP 1	A
- 2	HS49673P5001 NAS43D04-16		FASTENER UC --- 210 SERIAL 21058937 SPACER ----- THRU 21059061	3 3	
- 3	5952-3LH-CW14		PANEL LIGHT-TAB MOUNT GBN -----	1	
- 4	5952-3RH-CW14 C65-2CW12 330		PANEL LIGHT-TAB MOUNT GBN ----- CAP & PRISM ASSEMBLY GBN ----- LAMP GE -----	12 1 1	
- 5	1213138-7	□	COVER ASSEMBLY-POST LIGHTED INSTRUMENT PANEL ATTACHING PARTS	1	
- 6	HS49673P5001 NAS43D03-16		FASTENER UC -- T210 SERIAL T210-0308 SPACER ----- THRU T210-0392	5 5	
- 7	5952-3R-CW14 C65-2CW12 330		PANEL LIGHT-TAB MOUNT GBN ----- CAP & PRISM ASSEMBLY GBN ----- LAMP GE -----	5 1 1	
- 8	1813/2CW1 336		JACKET-BULB BLUE APMH ----- BULB-CLEAR GE -----	4 4	
- 9	0700737-10		LIGHT ASSEMBLY-RADIO SWITCH PANEL BLUE WHITE ----- ATTACHING PARTS	1	
	S1021Z6-8		SCREW -----	2	
	0700737-12		COVER ASSEMBLY-LIGHT BLUE WHITE ----- ATTACHING PARTS	1	
	S1021Z2-5		SCREW -----	2	
	336		BULB GE -----	3	
-10	S1238-2-1		SWITCH ----- ATTACHING PARTS	1	
	AN507-632R3		SCREW -----	2	
-11	SEE FIG 49		COVER ASSEMBLY-POST LIGHTED PEDESTAL -----	1	
-12	SEE FIG 49 5932-3LH-CW14 C65-2CW12 330		COVER ASSEMBLY-POST LIGHTED PEDESTAL ELECTRIC TRIM ----- PANEL LIGHT-TAB MOUNT GBN ----- CAP & PRISM ASSEMBLY GBN ----- LAMP GE -----	1 2 1 1	
<p>NOTE. □ THIS PART MUST HAVE A SECOND DASH NUMBER ADDED TO DENOTE COLOR. REFER TO HOW TO ORDER INTERIOR PARTS-PAGE VI</p> <p>A---210 SERIAL 21058937 THRU 21059061 T210 SERIAL T210-0308 THRU T210-0392</p>					

Instrument (Cont)



210 SERIAL 21059062 & ON
T210 SERIAL T210-0393 & ON

Figure 60B. Post Lighted Instrument Panel Installation

FIGURE AND INDEX NO.	PART NUMBER		DESCRIPTION							UNITS PER ASSY	USABLE ON CODE
			1	2	3	4	5	6	7		
60B-			POST LIGHTED INSTRUMENT PANEL INSTALLATION -----							NP	A
- 1	1213096-5	□	COVER ASSEMBLY-POST LIGHTED INSTRUMENT PANEL LH -----							1	
			ATTACHING PARTS								
- 2	S1898-1		FASTENER -----							4	
	NAS43DD4-16		SPACER --- 210 SERIAL 21059062 & ON -----							4	
			-----*								
- 3	1213163-1		SEAL-LAP -----							1	
- 4	5952-3RH-CW-14		PANEL LIGHT-TAB MOUNT GBN --- T210 SERIAL -----							12	
- 5	5952-3LH-CW-14		PANEL LIGHT-TAB MOUNT GBN --- -----							1	
	C65-2CW12		CAP & PRISM ASSEMBLY GBN ----- T210-0393 -----							1	
	330		LAMP GE -----							1	
- 6	1213138-8	□	COVER ASSEMBLY-POST LIGHTED INSTRUMENT PANEL RH - & ON -----							1	
			ATTACHING PARTS								
- 7	S1898-1		FASTENER -----							5	
	NAS43DD4-16		SPACER -----							5	
			-----*								
- 8	5952-3RH-CW-14		PANEL LIGHT-TAB MOUNT GBN -----							5	
	C65-2CW12		CAP & PRISM ASSEMBLY GBN -----							1	
	330		LAMP GE -----							1	
- 9	1813/2CW1		JACKET-BULB BLUE APMH -----							1	
	336		BULB-CLEAR GE -----							1	
-10	S1847-1-1		SWITCH -----							1	
			ATTACHING PARTS								
	AN507-632R3		SCREW -----							2	
			-----*								
-11	SEE FIG 49		COVER ASSEMBLY-POST LIGHTED PEDESTAL -----							1	
	SEE FIG 49		COVER ASSEMBLY-POST LIGHTED PEDESTAL ELECTRIC TRIM -----							1	
-12	S1899-2		PANEL LIGHT-TAB MOUNT GBN -----							1	
	C65-2CW12		CAP & PRISM ASSEMBLY GBN -----							1	
	330		LAMP GE -----							1	
-13	S1859-1		PANEL LIGHT-TAB MOUNT GBN -----							1	
	C65-2CW12		CAP & PRISM ASSEMBLY GBN -----							1	
	330		LAMP GE -----							1	
<p>NOTE. □ THIS PART MUST HAVE A SECOND DASH NUMBER ADDED TO DENOTE COLOR. REFER TO HOW TO ORDER INTERIOR PARTS-PAGE VI.</p> <p>A---210 SERIAL 21059062 & ON T210 SERIAL T210-0393 & ON</p>											

Instruments (Cont)

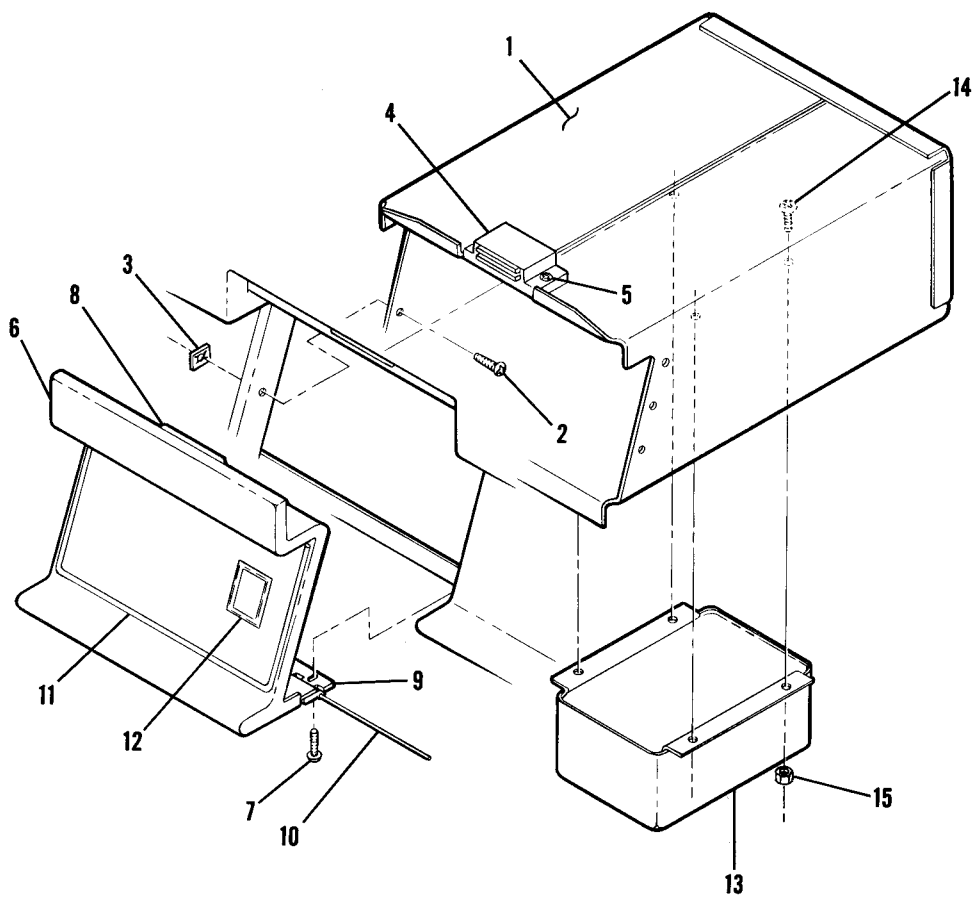


Figure 61. Glove Box Installation



FIGURE AND INDEX NO.	PART NUMBER	DESCRIPTION	UNITS PER ASSY	USABLE ON CODE
61 -		1 2 3 4 5 6 7		
- 1	0713778-4	GLOVE BOX INSTALLATION ----- BOX ASSEMBLY-GLOVE -----	NP 1	
- 2	S102126-6	ATTACHING PARTS -----		
- 3	NAS446-2-3	SCREW ----- NUT -----	5 5	
- 4	1000 S1895-1	---*--- CATCH-MAGNA-TITE EDNP ----- CATCH-MAGNA TITE -----	1 1	C D
- 5	S102126-6 NAS446-2-3	ATTACHING PARTS ----- SCREW ----- NUT -----	2 2	
- 6	1213146-1 0713881-1 0713881-2	---*--- DOOR ASSEMBLY-GLOVE BOX ----- DOOR ASSEMBLY-GLOVE BOX ----- DOOR ASSEMBLY-GLOVE BOX -----	1 1 1	A B D
- 7	AN515-8R7	ATTACHING PARTS ----- SCREW -----	3	
- 8	1213298-1	---*--- PLATE-STRIKER -----	1	
- 9	0713785-1	HINGE ASSEMBLY -----	1	
-10	MS20253-2-646	PIN-HINGE -----	1	
-11	0713860-1 0713883-1	TRIM PANEL ----- TRIM PANEL -----	1 1	A B
-12	0700756-1 PC120	BASE-GLOVE BOX PLACARD ----- ATTACHING PARTS ----- NUT UC -----	1 2	
-13	1213242-1	---*--- DUAL WARNING-STALL & GEAR DOWN ----- ATTACHING PARTS -----	1	B
-14	AN515-8R6	SCREW -----	4	B
-15	NAS679A08	NUT ----- ---*---	4	B
<p>NOTE. □THIS PART NUMBER MUST HAVE A SECOND DASH NUMBER ADDED TO DENOTE COLOR. REFER TO HOW TO ORDER INTERIOR PARTS-PAGE VI.</p> <p>A---210 SERIAL 21058819 THRU 21058936 T210 SERIAL T210-0198 THRU T210-0307</p> <p>B---210 SERIAL 21058937 THRU 21059061 T210 SERIAL T210-0308 THRU T210-0392</p> <p>C---210 SERIAL 21058819 THRU 21059061 T210 SERIAL T210-0198 THRU T210-0392</p> <p>D---210 SERIAL 21059062 & ON T210 SERIAL T210-0393 & ON</p>				

Fuselage Equipment

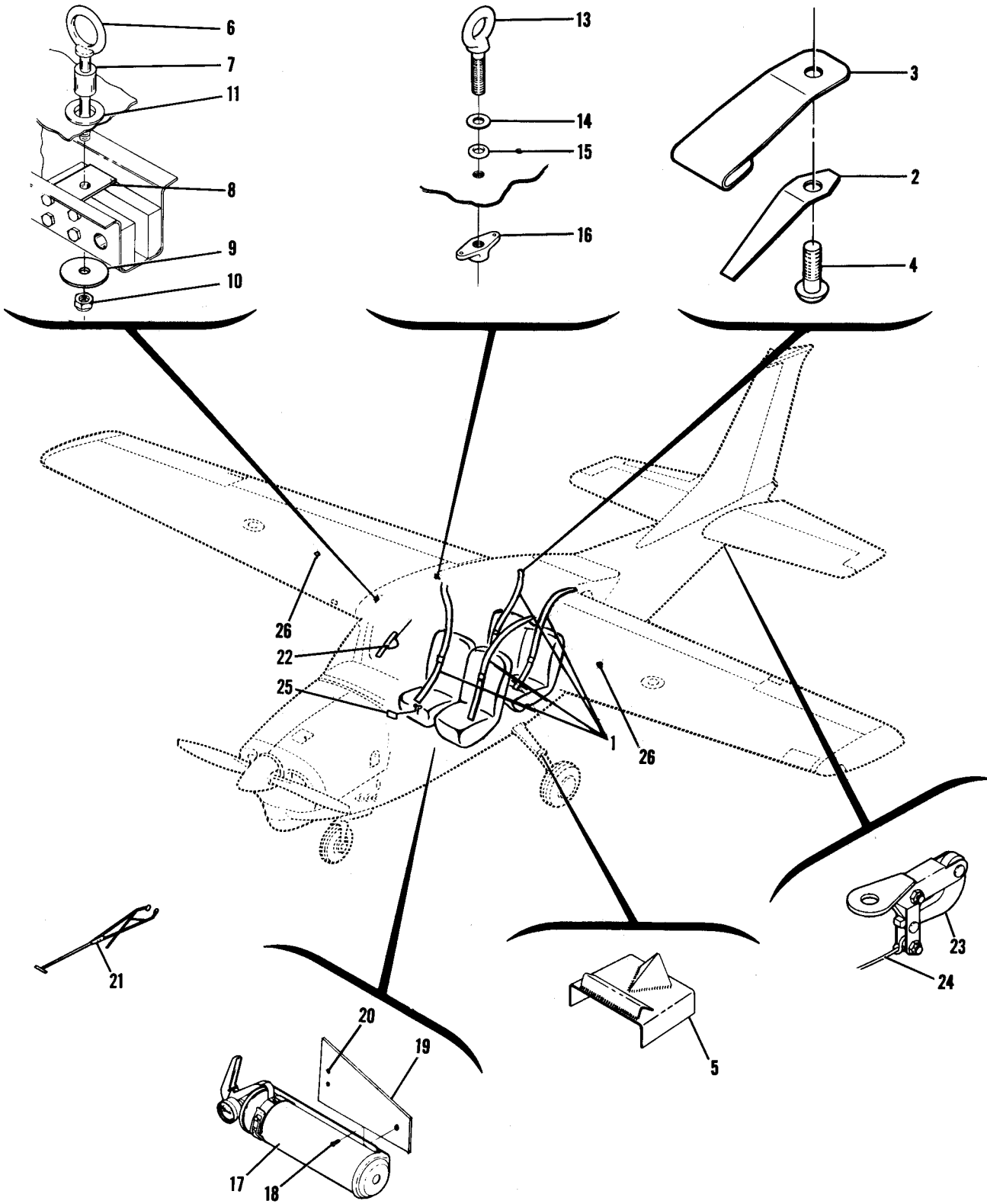


Figure 62. Fuselage Equipment Installation



FIGURE AND INDEX NO.	PART NUMBER	DESCRIPTION	UNITS PER ASSY	USABLE ON CODE
62 -		FUSELAGE EQUIPMENT INSTALLATION -----	NP	
- 1	0511233-7	HARNES-SHOULDER -----	4	
- 2	1414025-2	SPRING -----	4	
- 3	1414025-1	HOOK-SHOULDER HARNES -----	4	
		ATTACHING PARTS -----		
- 4	NAS221-10	SCREW -----	1	
		-----*		
- 5	10004-98	PAD-JACK -----	1	
- 6	1200190-5	EYEBOLT-HOISTING FWD -----	2	
		ATTACHING PARTS -----		
- 7	1200190-3	SPACER -----	1	
- 8	0541115-4	PLATE -----	1	
- 9	AN970-5	WASHER -----	1	
-10	NAS679A5	NUT -----	1	
		-----*		
-11	MS35489-46	GROMMET -----	2	
-12		DELETED NOT PROCURABLE -----		
-13	1200190-4	EYEBOLT-HOISTING AFT -----	2	
		ATTACHING PARTS -----		
-14	AN960C416L	WASHER -----	2	
-15	AN6227B5	GASKET -----	2	
-16	NAS680A4	NUTPLATE -----	2	
		-----*		
-17	0800111-2	FIRE EXTINGUISHER KIT -----	1	
		ATTACHING PARTS -----		
-18	AN520-10R10	SCREW -----	3	
		-----*		
-19	1200521-2	BRACKET ASSEMBLY-FIRE EXTINGUISHER -----	1	
-20	NAS679A3	NUTPLATE -----	3	
-21	1200008-8	TOW BAR ASSEMBLY -----	1	
-22	SEE FIG 64	COMPASS & REAR VIEW MIRROR INSTALLATION -----	1	
-23	0500228-2	TOW HOOK-GLIDER -----	1	
		ATTACHING PARTS -----		
	AN5-7A	BOLT -----	1	
	AN970-5	WASHER -----	2	
	NAS679A5	NUT -----	1	
		-----*		
-24	0500228-3	CORD-GLIDER RELEASE -----	1	
-25	1260463-1	LOCK-CONTROL -----	1	
-26	SEE FIG 6A	FUEL DRAIN VALVE & SAMPLER CUP -----	AR	

Fuselage Equipment (Cont)

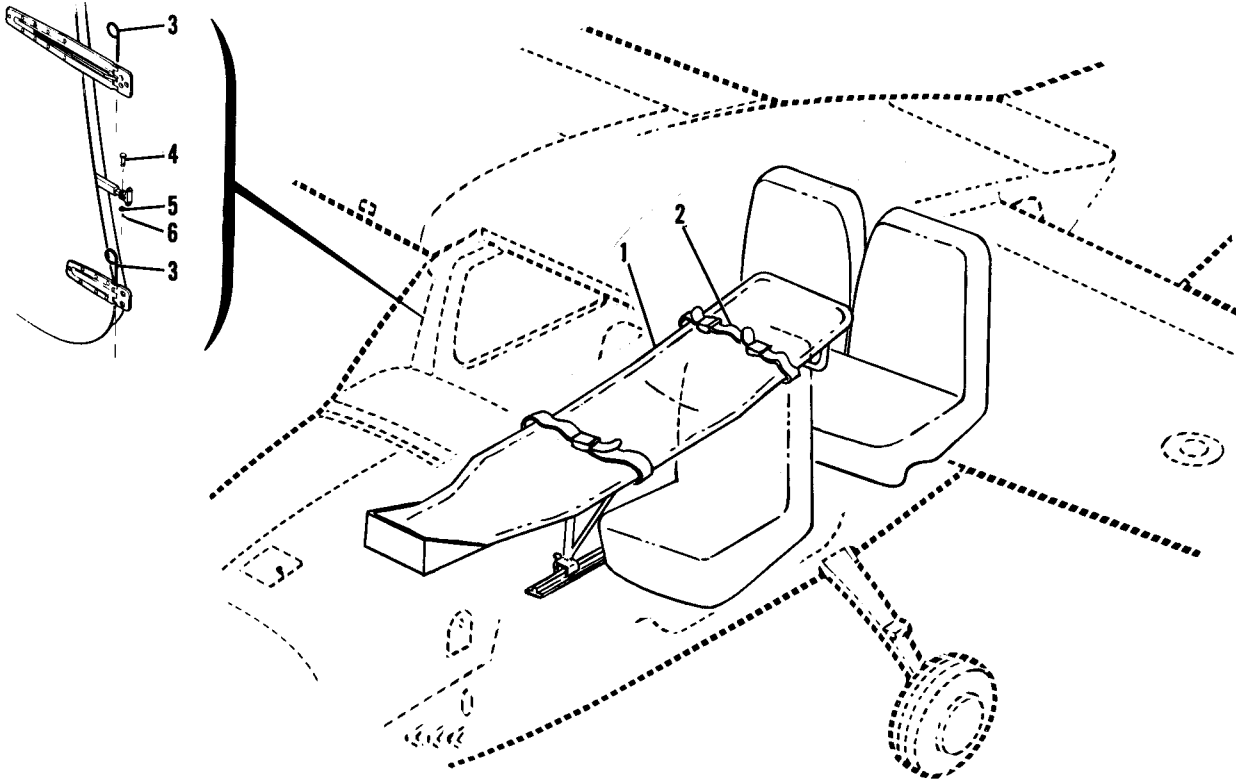


Figure 63. Portable Stretcher Installation

FIGURE AND INDEX NO.	PART NUMBER	DESCRIPTION	UNITS PER ASSY	USABLE ON CODE
63 -		1 2 3 4 5 6 7		
- 1	0700164-6	PORTABLE STRETCHER INSTALLATION -----	NP	
- 2	FCD2475-50	STRETCHER ASSEMBLY-PORTABLE -----	1	
- 3	S1809-1	EXTENSION-BELT DAPI -----	1	A
- 4	S1426-1	EXTENSION-BELT -----	1	B
- 5	MS20392-1C17	PIN-HINGE -----	2	
- 6	MS20392-1C17	PIN-FLATHEAD -----	1	
- 7	AN960-10L	WASHER -----	1	
- 8	MS24665-151	PIN-COTTER -----	1	
		A---210 SERIAL 21058819 THRU 21058936 T210 SERIAL T210-0198 THRU T210-0307		
		B---210 SERIAL 21058937 & ON T210 SERIAL T210-0308 & ON		

This page intentionally left blank.

Fuselage Equipment (Cont)

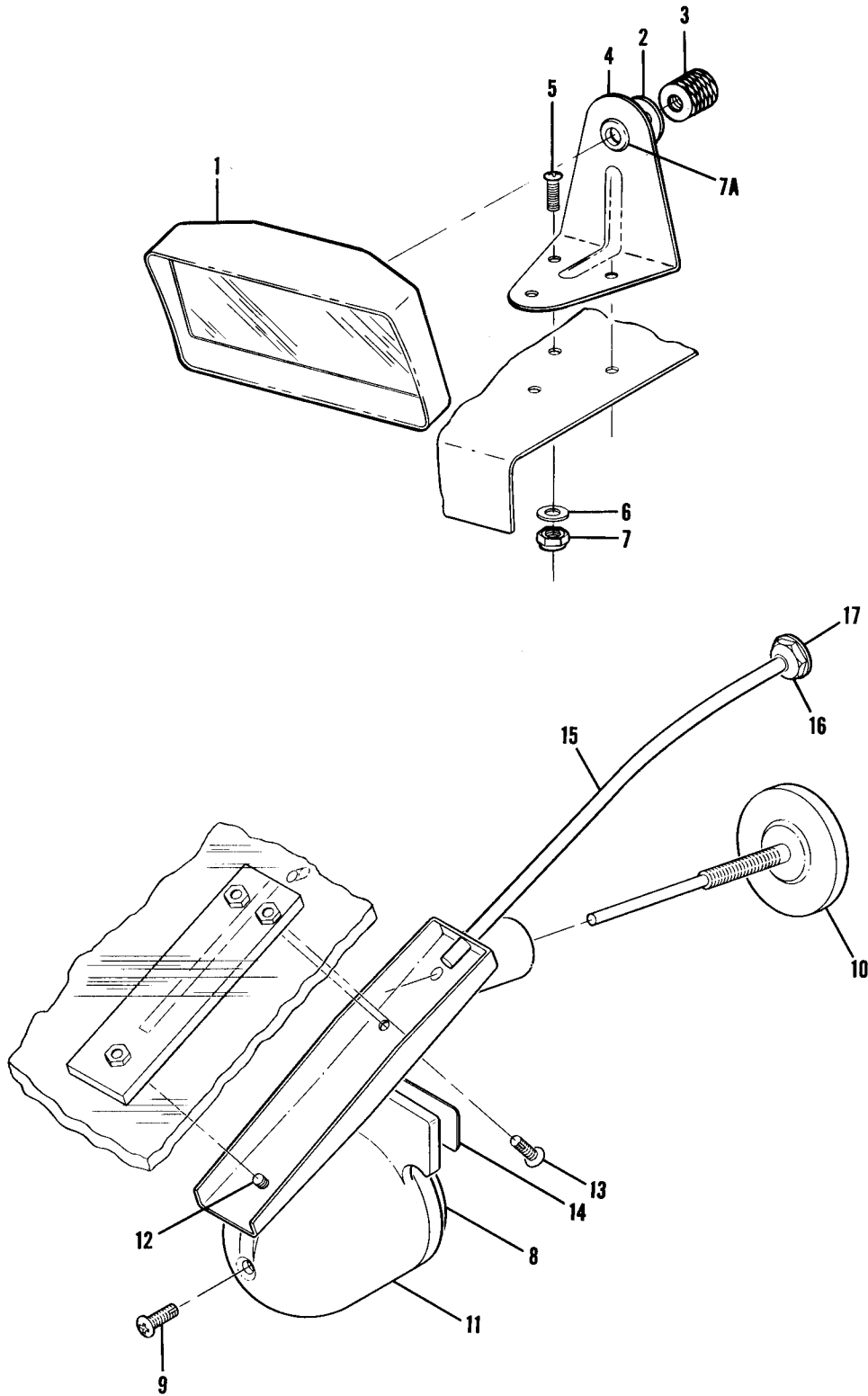


Figure 64. Compass & Rear View Mirror Installation

FIGURE AND INDEX NO.	PART NUMBER	DESCRIPTION							UNITS PER ASSY	USABLE ON CODE
		1	2	3	4	5	6	7		
64 -		REAR VIEW MIRROR INSTALLATION -----							NP	
- 1	0500312-2	MIRROR & COVER ASSEMBLY -----							1	
		ATTACHING PARTS -----								
- 2	S1450-4A11-063	WASHER -----							1	
- 3	0500313-1	NUT -----							1	
		-----*								
- 4	0500310-1	BRACKET ASSEMBLY -----							1	E
	1213293-1	BRACKET ASSEMBLY -----							1	F
		ATTACHING PARTS -----								
- 5	AN5078832R8	SCREW -----							3	
- 6	AN960PD10	WASHER -----							2	
- 7	NAS679A08	NUT -----							3	
		-----*								
- 7A	MS35489-6	GROMMET -----							1	
		COMPASS & OUTSIDE AIR TEMPERATURE INSTALLATION -----							NP	
- 8	C660501-0101	COMPASS -----							1	
		ATTACHING PARTS -----								
- 9	S1571-8-10	SCREW -----							1	
		-----*								
-10	6360BH-XNHG70	OUTSIDE AIR TEMP GAGE MMM WHEN EXHAUSTED USE C668507-0101							1	C
	C668507-0101	OUTSIDE AIR TEMP GAGE -----							1	D
	C668507-0102	OUTSIDE AIR TEMP GAGE ALTERNATE -----							1	D
-11	1213537-4	MOUNTING ASSEMBLY -----							1	A
	1213537-6	MOUNTING ASSEMBLY -----							1	B
		ATTACHING PARTS -----								
-12	S1570-8-12	SCREW -----							1	
	AN960D8	WASHER -----							2	
-13	S1571-8-6	SCREW -----							2	
		-----*								
-14	0400210-1	PLACARD-COMPASS CORRECTION -----							1	
-15	0713817-7	TUBE ASSEMBLY -----							1	
		ATTACHING PARTS -----								
-16	S1216-3	NUT -----							1	
-17	AN936A416	WASHER -----							1	
		-----*								
<p>NOTE. □THIS PART MUST HAVE A SECOND DASH NUMBER ADDED TO DENOTE COLOR. REFER TO HOW TO ORDER INTERIOR PARTS-PAGE VI.</p> <p>A---210 SERIAL 21058819 THRU 21058936 T210 SERIAL T210-0198 THRU T210-0307</p> <p>B---210 SERIAL 21058937 & ON T210 SERIAL T210-0308 & ON</p> <p>C---210 SERIAL 21058819 THRU 21059037 T210 SERIAL T210-0198 THRU T210-0380</p> <p>D---210 SERIAL 21059038 & ON T210 SERIAL T210-0381 & ON</p> <p>E---210 SERIAL 21058819 THRU 21059061 T210 SERIAL T210-0198 THRU T210-0392</p> <p>F---210 SERIAL 21059062 & ON T210 SERIAL T210-0393 & ON</p>										

Propeller

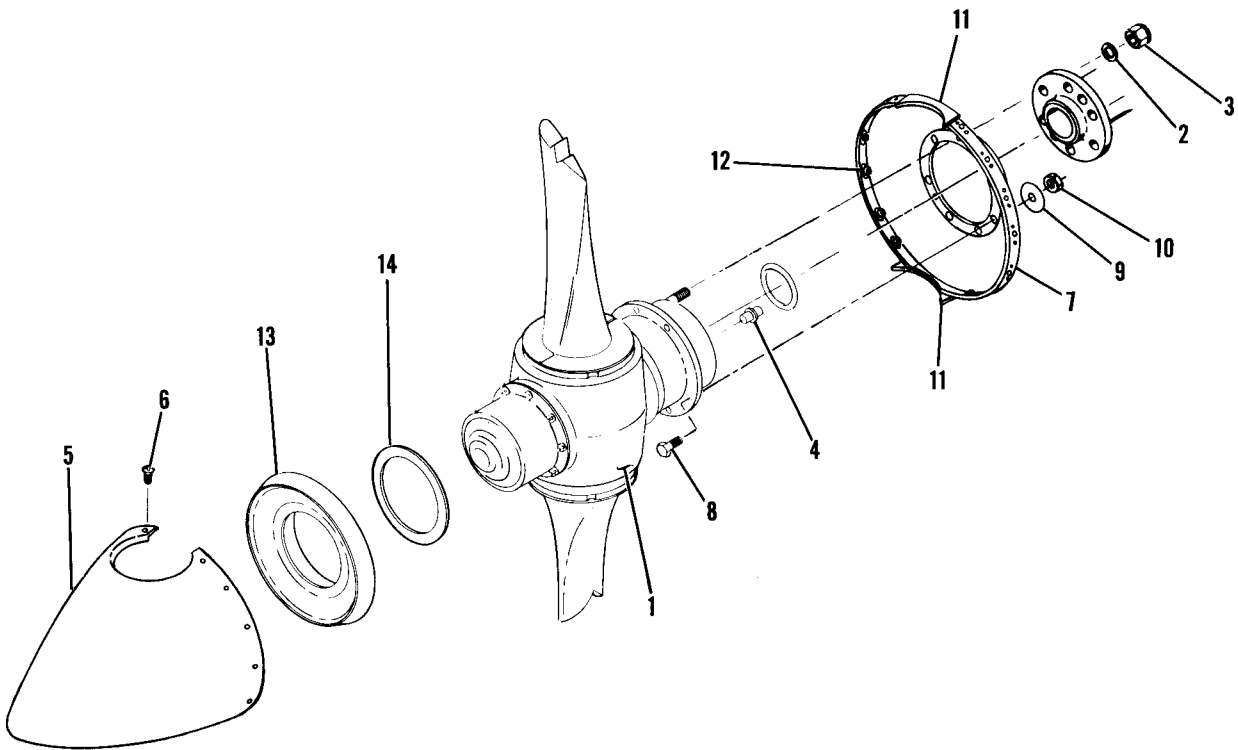


Figure 65. Two Bladed Propeller Installation

FIGURE AND INDEX NO.	PART NUMBER	DESCRIPTION	UNITS PER ASSY	USABLE ON CODE
65 -		1 2 3 4 5 6 7		
- 1	SEE FIG 67	TWO BLADED PROPELLER INSTALLATION MCCAULEY ----- PROPELLER ASSEMBLY ----- ATTACHING PARTS -----	NP 1	
- 2	A1638-2	WASHER MCL -----	6	
- 3	A1639-2	NUT MCL -----	6	
- 4	A3047	DOWEL-HUB ALIGNMENT MCL ----- -----*	2	
- 5	1250415-2 *	SPINNER DOME ASSEMBLY ----- ATTACHING PARTS -----	1	
- 6	NAS221-8	SCREW ----- -----*	14	
- 7	1250414-1	BULKHEAD ASSEMBLY-PROPELLER SPINNER ----- ATTACHING PARTS -----	1	
- 8	AN3-6A	BOLT -----	8	
- 9	AN970-3	WASHER -----	8	
-10	NAS679A3	NUT ----- -----*	8	
-11	1250414-4	FILLET -----	2	
-12	NAS680A3	NUTPLATE -----	14	
-13	1250412-1	SUPPORT-SPINNER -----	1	
-14	0752620-1	SPACER -----	AR	
<p>NOTE. *FOR AIRPLANES EQUIPPED WITH PROPELLER DE-ICE SYSTEM, REFER TO FIG 126B FOR CORRECT SPINNER NUMBER.</p>				

Propeller (Cont)

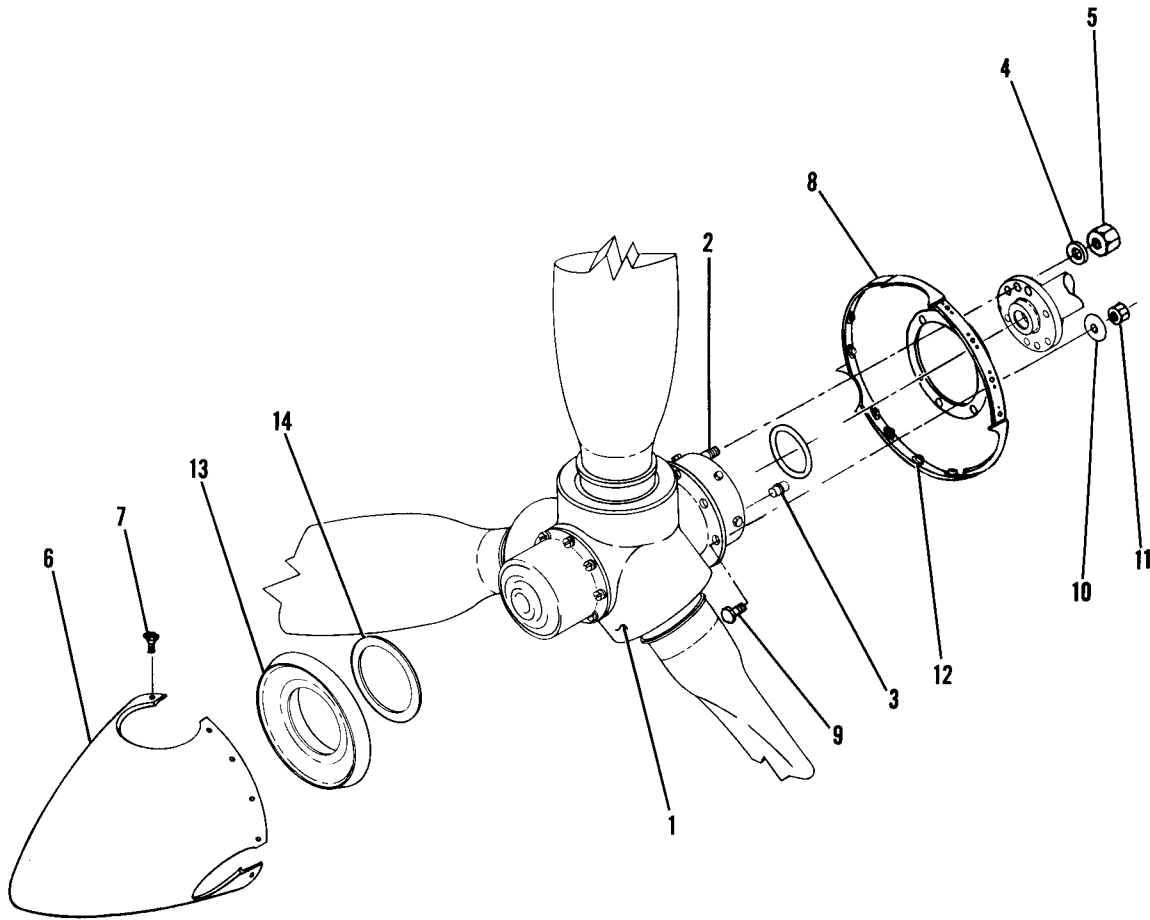


Figure 66. Three Bladed Propeller Installation

FIGURE AND INDEX NO.	PART NUMBER	DESCRIPTION	UNITS PER ASSY	USABLE ON CODE
		1 2 3 4 5 6 7		
66 -		THREE BLADED PROPELLER INSTALLATION -----	NP	
- 1	SEE FIG 68	PROPELLER ASSEMBLY -----	1	
		ATTACHING PARTS -----		
- 2	B3059	STUD-HUB MOUNTING MCL -----	6	
- 3	A3047	DOWEL-HUB ALIGNMENT MCL -----	2	
- 4	A1638-2	WASHER MCL -----	6	
- 5	A1639-2	NUT MCL -----	6	
		---*---		
- 6	1250419-2 *	SPINNER COME ASSEMBLY -----	1	
		ATTACHING PARTS -----		
- 7	NAS221-8	SCREW -----	12	
		---*---		
- 8	125C414-6	BULKHEAD ASSEMBLY-PROPELLER SPINNER -----	1	
		ATTACHING PARTS -----		
- 9	AN3-6A	BOLT -----	8	
-10	AN970-3	WASHER -----	8	
-11	NAS679A3	NUT -----	8	
		---*---		
-12	NAS680A3	NUTPLATE -----	12	
-13	125C412-1	SUPPORT-SPINNER -----	1	
-14	0752620-1	SPACER -----	1	
		 NOTE. *FOR AIRPLANES EQUIPPED WITH PROPELLER DE-ICE SYSTEM REFER TO FIGURE 126B FOR CORRECT SPINNER PART NUMBER		

Propeller (Cont)

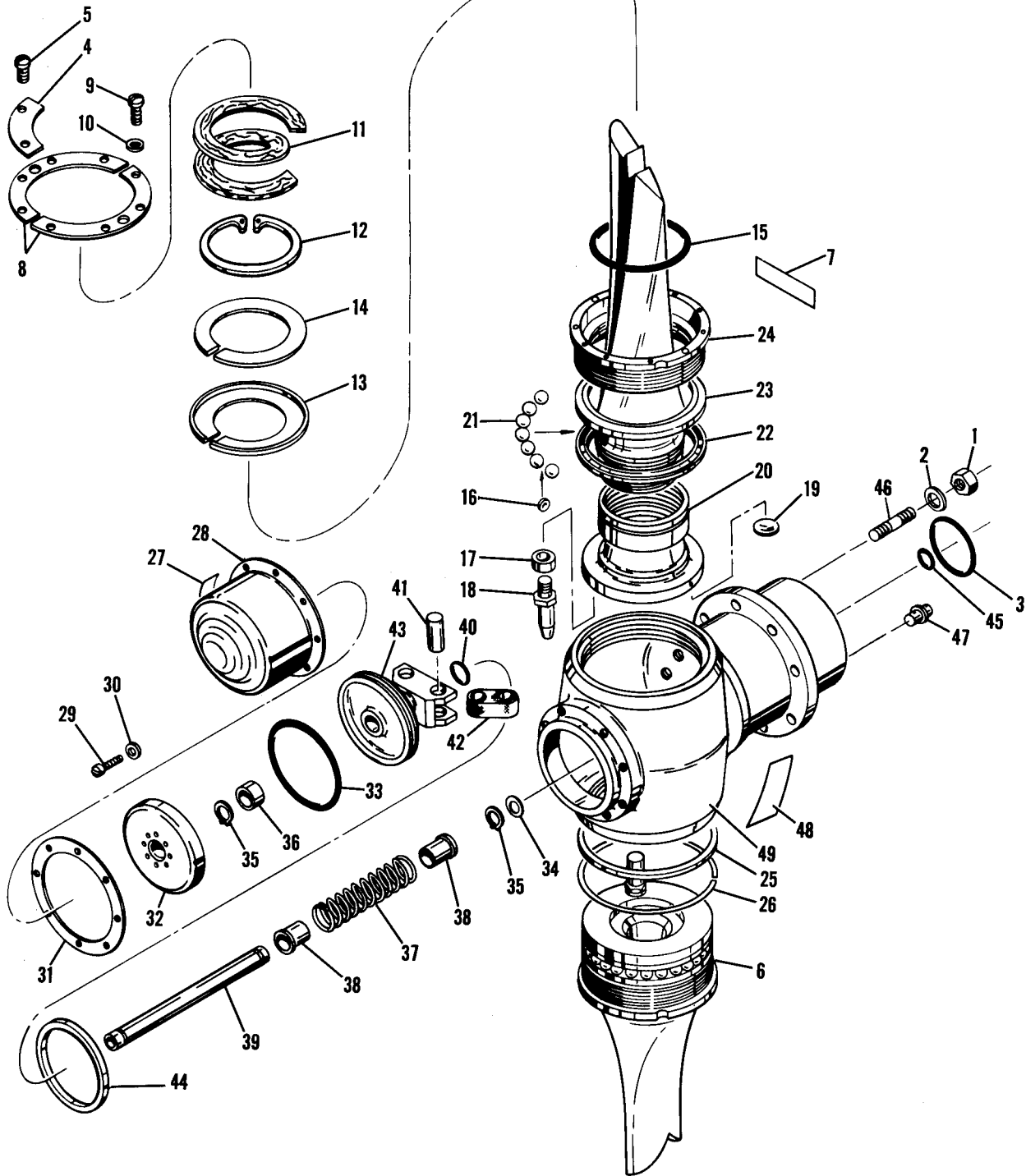


Figure 67. Two Bladed Propeller Assembly

FIGURE AND INDEX NO.	PART NUMBER	DESCRIPTION	UNITS PER ASSY	USABLE ON CODE
67 -	C161005-0101	TWO BLADED PROPELLER ASSEMBLY MCCAULEY ----- E2A34C73/90AT-8 82 IN DIA	1	A
	C161005-0102	TWO BLADED PROPELLER ASSEMBLY MCCAULEY ----- E2A34C70/90AT-8 82 IN DIA	1	B
		ATTACHING PARTS		
- 1	A1639-2	NUT MCL -----	6	
- 2	A1638-2	WASHER MCL -----	6	
- 3	A1633-3	PACKING-ORING MCL -----	1	
		-----*		
- 4	A2423	WEIGHT-BALANCE MCL -----	AR	
		ATTACHING PARTS		
- 5	A1635-16	SCREW-ATTACH ONE WEIGHT MCL -----	2	
	A1635-17	SCREW-ATTACH TWO WEIGHT MCL -----	2	
	A1635-18	SCREW-ATTACH THREE WEIGHT MCL -----	2	
	A1635-19	SCREW-ATTACH FOUR WEIGHT MCL -----	2	
	A1635-21	SCREW-ATTACH FIVE WEIGHT MCL -----	2	
	A1635-22	SCREW-ATTACH SIX WEIGHT MCL -----	2	
		-----*		
- 6	D3223/90AT8	BLADE ASSEMBLY MCL -----	2	A
	D3546/90AT8	BLADE ASSEMBLY MCL -----	2	B
- 7	A1958	DECAL MCL -----	1	
- 8	B2417	PLATE-SPLIT COVER MCL -----	2	
		ATTACHING PARTS		
- 9	A1635-27	SCREW MCL -----	4	
-10	A1638-5	WASHER-FIBER MCL -----	4	
		-----*		
-11	B2422-1	PACKING-FELT MCL -----	1	
-12	A1636-6	RING-EXTERNAL RETAINING MCL -----	1	
-13	B2420-4	SHIM-0.004 IN MCL -----	AR	
	B2420-6	SHIM-0.006 IN MCL -----	AR	
-14	B2421-8	SHIM-0.008 IN MCL -----	AR	
	B2421-10	SHIM-0.010 IN MCL -----	AR	
	B2421-12	SHIM-0.012 IN MCL -----	AR	
	B2421-14	SHIM-0.014 IN MCL -----	AR	
	B2421-16	SHIM-0.016 IN MCL -----	AR	
	B2421-18	SHIM-0.018 IN MCL -----	AR	
	B2421-20	SHIM-0.020 IN MCL -----	AR	
-15	A1633-13	PACKING-O RING MCL -----	1	
-16	A3110	SERARATOR-BALL MCL -----	30	
-17	A3100	WASHER-ACTUATING PIN MCL -----	1	
-18	A3149	PIN-BLADE ACTUATING MCL -----	1	
-19	A1580	PLUG-FERRULE STAKING MCL -----	1	
-20	C3054	FERRULE-BLADE RETENTION MCL -----	1	
	C2987	BEARING-BLADE RETENTION MCL -----	1	
-21	A1634-5	BALL-BEARING MCL -----	30	
-22	C2987-1	RACE-INNER MCL -----	1	
-23	C2987-2	RACE-OUTER MCL -----	1	
-24	C3092	NUT-BLADE RETENTION MCL -----	1	
-25	B3216	RING-RETENTION NUT LOCK MCL -----	2	
-26	A3217	SHIM-BALANCING MCL -----	2	
-27	A2356	DECAL MCL -----	1	
-28	C1904	CYLINDER MCL -----	1	
		ATTACHING PARTS		
-29	A1635-43	SCREW -----	8	
-30	A1638-9	WASHER-BRASS -----	8	
-31	A1938	GASKET-CYLINDER -----	1	
		-----*		
-32	B1965	SUPPORT-SPACER MCL -----	1	A
	B3526	SUPPORT-SPACER MCL -----	1	B
-33	A1633-12	PACKING-O RING MCL -----	1	
-34	A2351	WASHER-FIBER MCL -----	1	

CONTINUED ON NEXT PAGE



FIGURE AND INDEX NO.	PART NUMBER	DESCRIPTION	UNITS PER ASSY	USABLE ON CODE
67 -35	A1636-7	RING-EXTERNAL RETAINING MCL -----	2	
-36	A2108	SPACER STOCK-LOW PITCH STOP MCL -----	AR 1	
-37	A3125	SPRING-LOW PITCH RETURN BOOST MCL -----	1	
-38	A3124	GUIDE-SPRING MCL -----	2	
-39	B2345	TUBE-PISTON ROD MCL -----	1	
-40	A1633-9	PACKING-O RING MCL -----	1	
	A1934	PISTON ASSEMBLY MCL -----	1	A
	A3547	PISTON ASSEMBLY MCL -----	1	B
-41	A1936	PIN-PISTON MCL -----	2	
-42	A1935	LINK-BLADE ACTUATING MCL -----	2	A
	A3549	LINK-BLADE ACTUATING MCL -----	2	B
-43	C1939	PISTON-BLADE ACTUATING MCL -----	1	A
	C3548	PISTON-BLADE ACTUATING MCL -----	1	B
-44	A1937	SPACER STOCK-HIGH PITCH STOP MCL -----	AR 1	
-45	A1633-9	PACKING-O RING MCL -----	1	
	D3522	HUB ASSEMBLY MCL -----	1	
-46	B3099	STUD-HUB MOUNTING MCL -----	6	
-47	A3047	DOWEL-HUB ALIGNMENT MCL -----	2	
	A3047-30	DOWEL-HUB ALIGNMENT 0.0015 IN OVERSIZE MCL -----	AR	
	A3047-45	DOWEL-HUB ALIGNMENT 0.0045 IN OVERSIZE MCL -----	AR	
-48	A2230	DECAL-PROP INSTALLATION INSTRUCTIONS MCL -----	1	
-49	D3521	HUB-PROPELLER MCL -----	1	
<p>NOTE. *FURNISHED IN 3-1/2 IN STOCK LENGTHS. PROPER THICKNESS TO BE DETERMINED & CUT AT REASSEMBLY</p> <p>A---210 SERIAL 21058819 & ON B---T210 SERIAL T210-0198 & ON</p>				

FIGURE AND INDEX NO.	PART NUMBER	DESCRIPTION	UNITS PER ASSY	USABLE ON CODE
		1 2 3 4 5 6 7		
68 -	C161006-0104	THREE BLADED PROPELLER ASSEMBLY MCCAULEY ----- D3A32C88/82NC-2 80 IN DIA	1	A
	C161006-0101	THREE BLADED PROPELLER ASSEMBLY MCCAULEY ----- D3A32C77/82NK-2 80 IN DIA C161006-0103 WHEN EXHAUSTED USE	1	C
	C161006-0103	THREE BLADED PROPELLER ASSEMBLY MCCAULEY ----- D3A32C88/82NC-2 80 IN DIA	1	B
- 1	A1639-2	ATTACHING PARTS NUT MCL -----	6	
- 2	A1638-2	WASHER-PLAIN MCL -----	6	
- 3	A1633-3	PACKING-O RING MCL ----- -----*	1	
- 4	A3530	WEIGHT-BALANCE MCL ----- ATTACHING PARTS	AR	
- 5	A1635-36	SCREW-ATTACH ONE WEIGHT MCL -----	2	
	A1635-40	SCREW-ATTACH TWO OR THREE WEIGHTS MCL -----	2	
	A1635-56	SCREW-ATTACH FOUR OR FIVE WEIGHTS MCL -----	2	
	A1635-57	SCREW-ATTACH SIX WEIGHTS MCL ----- -----*	2	
- 6	B3503	RING HALF-SPACER MCL -----	6	
- 7	D3663/82NC2	BLADE ASSEMBLY MCL -----	3	D
	D3542/82NK2	BLADE ASSEMBLY MCL -----	3	C
- 8	A1958	DECAL MCL -----	1	
- 9	B3491	PIN-BLADE ACTUATING MCL -----	1	
CONTINUED ON NEXT PAGE				

Propeller (Cont)

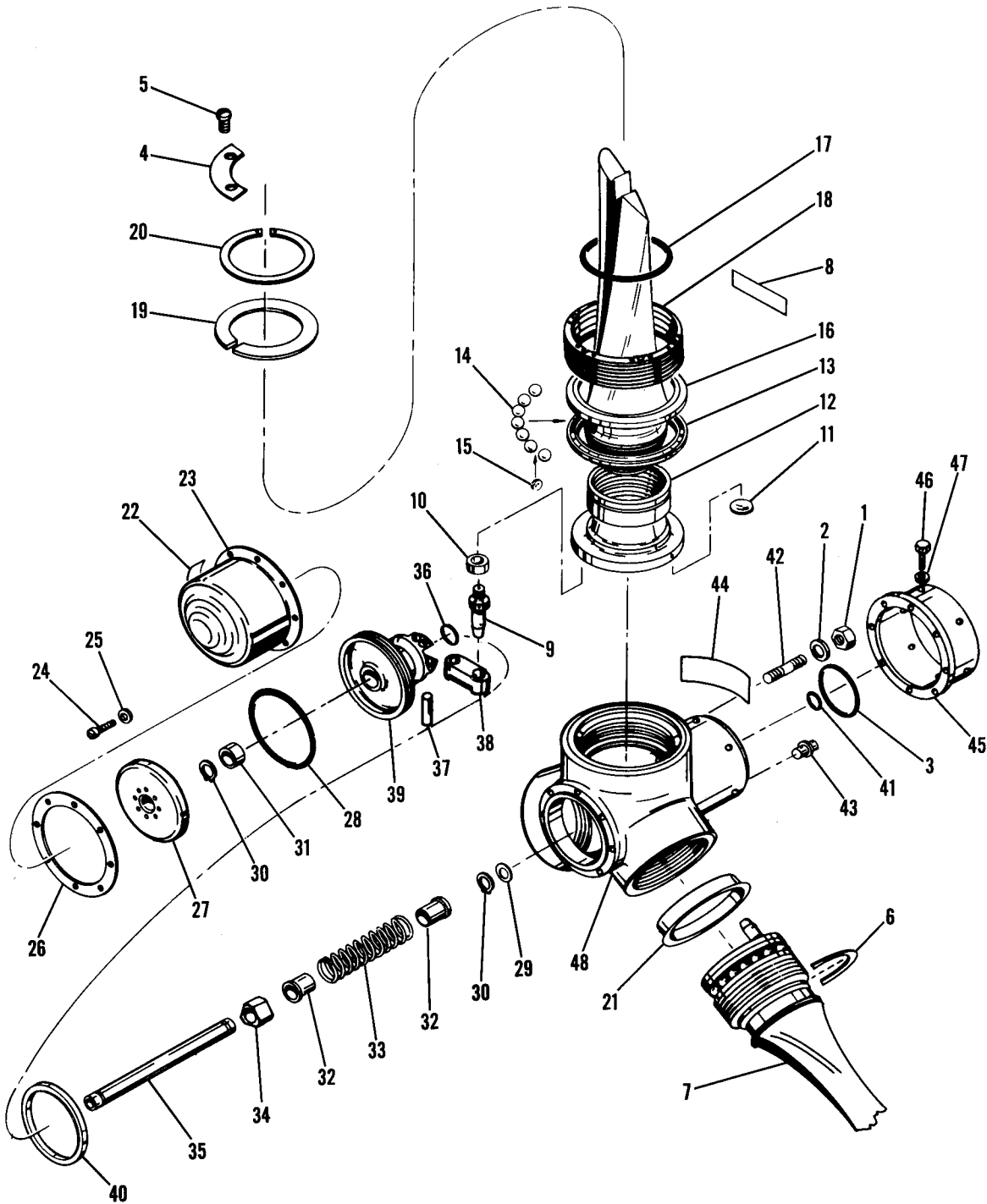


Figure 68. Three Bladed Propeller Assembly

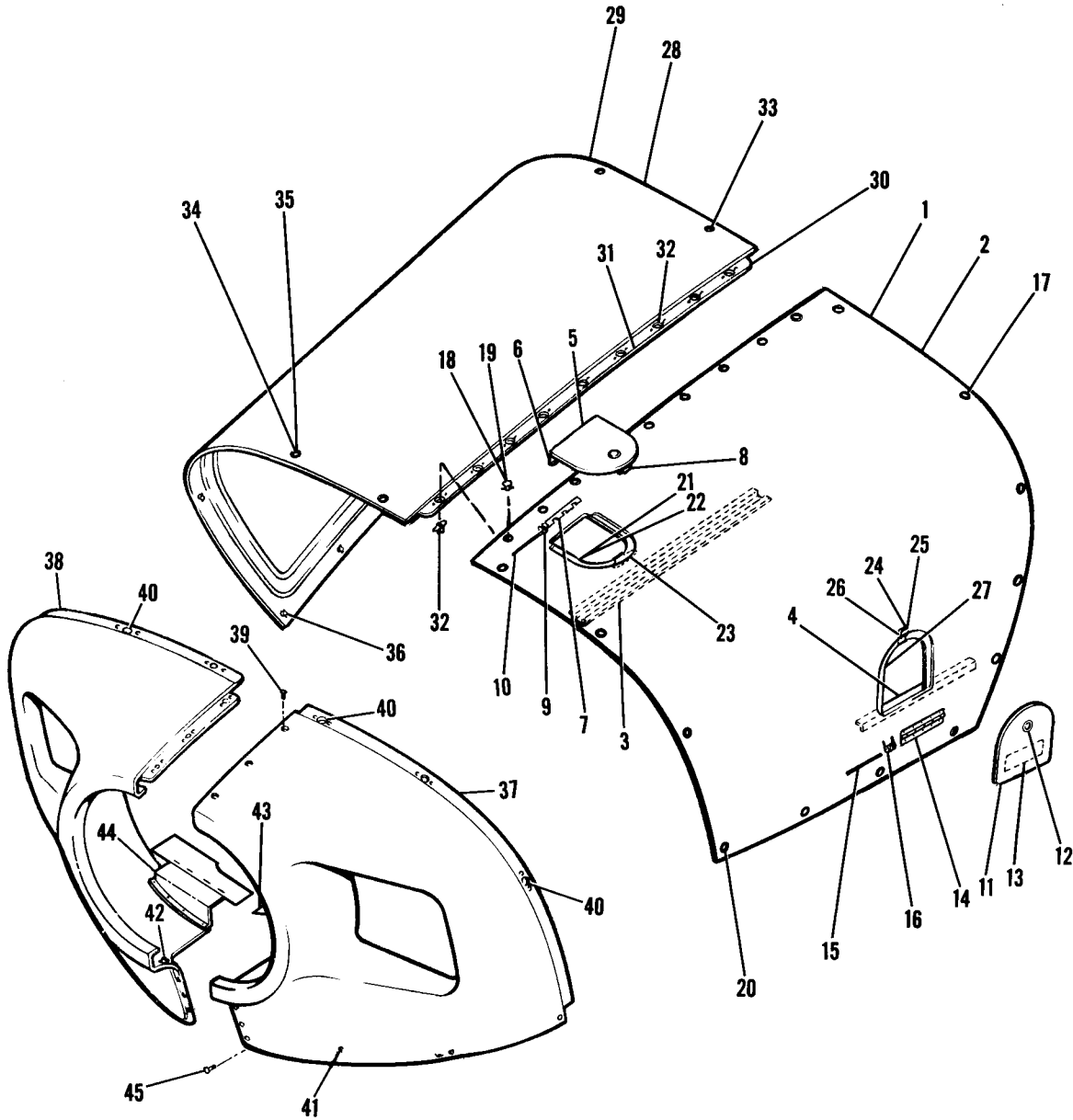


FIGURE AND INDEX NO.	PART NUMBER	DESCRIPTION							UNITS PER ASSY	USABLE ON CODE
		1	2	3	4	5	6	7		
68 -10	A3543	WASHER-SPACER	MCL						1	
-11	A1580	PLUG-FERRULE STAKING	MCL						1	
-12	C3111	FERRULE-BLADE RETENTION	MCL						1	
	C2987	BEARING-BLADE RETENTION	MCL						1	
-13	C2987-1	RACE-INNER	MCL						1	
-14	A1634-5	BALL-BEARING	MCL						30	
-15	A3110	SEPARATOR-BALL	MCL						30	
-16	C2987-2	RACE-OUTER	MCL						1	
-17	A1633-30	PACKING-O RING	MCL						1	
-18	C3493	NUT-BLADE RETENTION	MCL						1	
-19	B3470-2	SHIM	MCL						AR	
-20	B3478	RING-RETAINING	MCL						1	
-21	B3551	RETAINER-GREASE	MCL						3	
-22	A2356	DECAL-SPRING KIT INSTALLATION	MCL						1	
-23	C1904	CYLINDER	MCL						1	
		ATTACHING PARTS								
-24	A1635-43	SCREW	MCL						8	
-25	A1638-9	WASHER-BRASS	MCL						8	
		---*---								
-26	A1938	GASKET-CYLINDER	MCL						1	
-27	B3526	SUPPORT-SPACER	MCL						1	
-28	A1633-12	PACKING-O RING	MCL						1	
-29	A2351	WASHER-FIBER	MCL						1	
-30	A1636-7	RING-EXTERNAL RETAINING	MCL						2	
-31	A2108	* SPACER STOCK-LOW PITCH STOP	MCL						AR	
-32	A3124	GUIDE-SPRING	MCL						2	
-33	A3125	SPRING-LOW PITCH RETURN BOOST	MCL						1	
-34	A3556	SPACER-SPRING GUIDE	MCL						1	
-35	B2345	TUBE-PISTON ROD	MCL						1	
-36	A1633-9	PACKING-O RING	MCL						1	
	B3531	PISTON ASSEMBLY							1	
-37	B3557	PIN-PISTON	MCL						3	
-38	B3529	LINK-BLADE ACTUATING	MCL						3	
-39	C3496	PISTON-BLADE ACTUATING	MCL						1	
-40	A1937	* SPACER STOCK-HIGH PITCH STOP	MCL						AR	
-41	A1633-9	PACKING-O RING	MCL						1	
	C3541	HUB ASSEMBLY							1	
-42	B3099	STUD-HUB MOUNTING	MCL						6	
-43	A3047	DOWEL-HUB ALIGNMENT	MCL						2	
	A3047-30	DOWEL-HUB ALIGNMENT	MCL						AR	
	A3047-47	DOWEL-HUB ALIGNMENT	MCL						AR	
-44	A2230	DECAL-PROP INSTALLATION INSTRUCTIONS	MCL						1	
-45	C3498	ADAPTER-HUB SLEEVE	MCL						1	
		ATTACHING PARTS								
-46	A1635-6	BOLT	MCL						6	
-47	A1638-15	WASHER	MCL						6	
		---*---								
-48	E3497	HUB-PROPELLER	MCL						1	

NOTE. *FURNISHED IN 3-1/2 IN STOCK LENGTHS. PROPER THICKNESS TO BE DETERMINED & CUT AT REASSEMBLY.

A---210 SERIAL 21058819 & ON
 B---T210 SERIAL T210-0198, T210-0211 & ON
 C---T210 SERIAL T210-0199 THRU T210-0210
 D---210 SERIAL 21058819 & ON
 T210 SERIAL T210-0198, T210-0211 & ON

Cowl

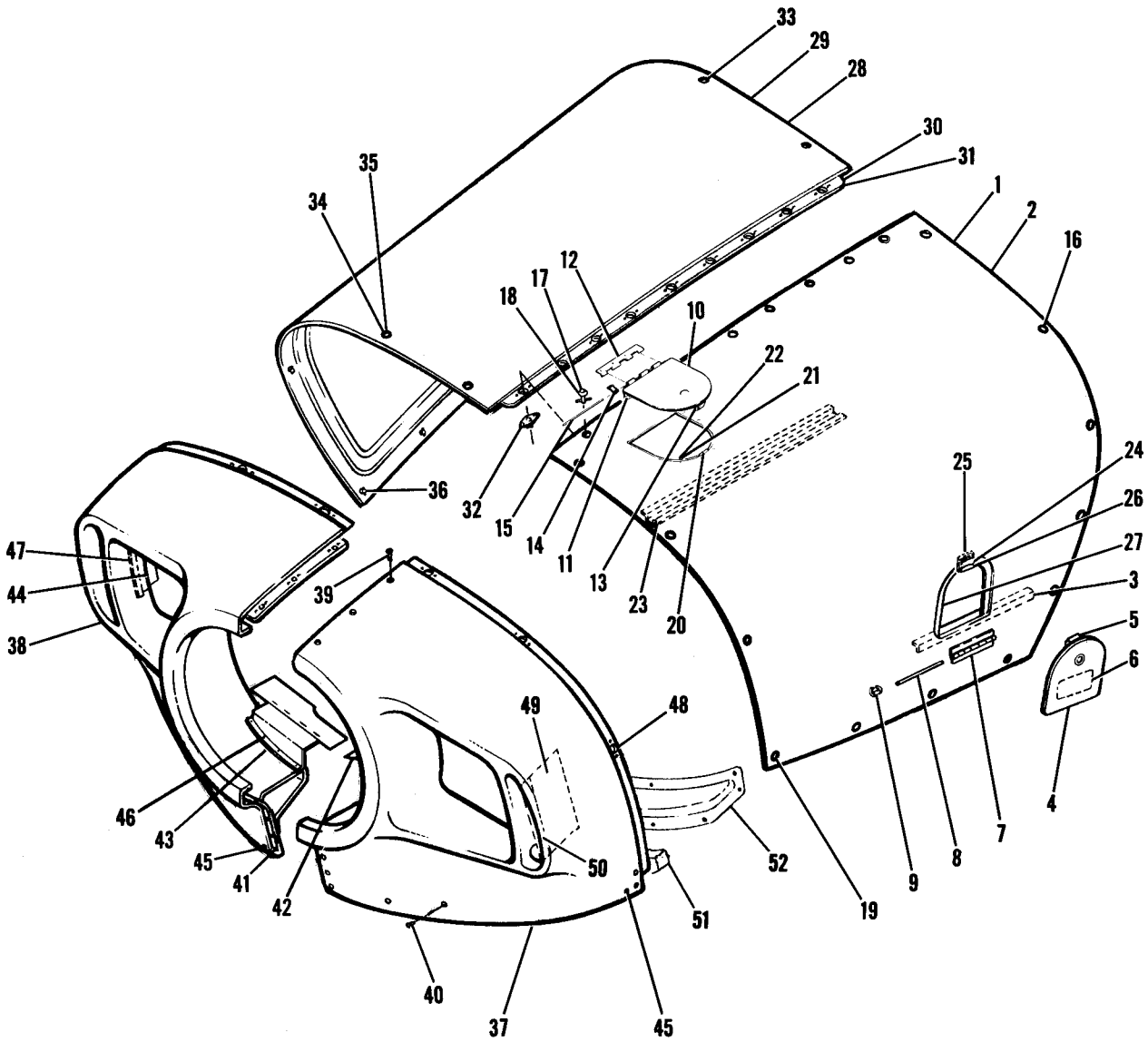


210 SERIAL 21058819 & ON

Figure 69. Upper Cowl & Nose Cap Installation

FIGURE AND INDEX NO.	PART NUMBER	DESCRIPTION	UNITS PER ASSY	USABLE ON CODE
		1 2 3 4 5 6 7		
69 -		UPPER COWL AND NOSE CAP INSTALLATION -----	NP	A
- 1	1252400-33	COWL HALF-LH -----	1	
- 2	1252400-34	SKIN ASSEMBLY-UPPER COWL-LH -----	1	
- 3	1252000-11	STIFFENER -----	1	
- 4	1252400-16	ANGLE -----	1	
- 5	1250823-1	DOOR ASSEMBLY -----	1	
- 6	1552004-24	RETAINER ASSEMBLY -----	1	
- 7	1552004-22	HINGE HALF -----	1	
- 8	KM610-51	LATCH CLC -----	1	
- 9	1552010-1	SPRING -----	1	
-10	1552004-17	PIN-HINGE -----	1	
-11	1250841-1	DOOR ASSEMBLY-OIL CHECK -----	1	
-12	KM610-51	LATCH CLC -----	1	
-13	S1397-4	PLACARD -----	1	
-14	1452225-44	HINGE ASSEMBLY -----	1	
-15	MS20253-2-4.04	PIN-HINGE -----	1	
-16	1552010-1	SPRING -----	1	
-17	RG4	SNAP RING CLC -----	20	
-18	4002G	GROMMET CLC -----	20	
-19	40S5-3	STUD CLC -----	19	
-20	40S5-5	STUD CLC -----	1	
-21	1250842-1	DOUBLER -----	1	
-22	1250842-2	SPACER -----	1	
-23	1552004-25	STRIKER -----	1	
-24	0752635-1	STRIKER -----	1	
-25	0752635-2	SPACER -----	1	
		ATTACHING PARTS		
-26	AN507-632R6	SCREW -----	2	
	NAS679A06	NUT -----	2	
		-----*		
-27	1252400-15	DOUBLER -----	1	
-28	1252400-18	COWL HALF-RH -----	1	
-29	1252400-20	SKIN ASSEMBLY-UPPER COWL RH -----	1	
-30	1252001-1	STRIP ASSEMBLY-REMOVABLE COWL -----	1	
-31	1252001-2	STRIP -----	1	
-32	4002-244-16	RECEPTACLE CLC -----	9	
-33	RG4	SNAP RING CLC -----	11	
-34	4002G	GROMMET CLC -----	11	
-35	40S5-3	STUD CLC -----	10	
-36	40S5-5	STUD CLC -----	1	
		NOSE CAP ASSEMBLY-UPPER -----	NP	
-37	1252413-31	PANEL ASSEMBLY-NOSE CAP LH -----	1	B
	1252413-33	PANEL ASSEMBLY-NOSE CAP LH -----	1	C
-38	1252413-32	PANEL ASSEMBLY-NOSE CAP RH -----	1	B
	1252413-34	PANEL ASSEMBLY-NOSE CAP RH -----	1	C
		ATTACHING PARTS		
-39	AN509-10R10	SCREW -----	6	
		-----*		
-40	4002-244-16	RECEPTACLE -----	3	
-41	S1589-3	EYELETS -----	6	
-42	NAS680A3	NUTPLATE-RH ONLY -----	6	
-43	1250822-1	SEAL-LH -----	1	
	1250934-1	SEAL-LH -----	1	
-44	1250822-2	SEAL-RH -----	1	
	1250934-2	SEAL-RH -----	1	
-45	AN509-10R9	SCREW -----	12	
		NOTE. *USE ON AIRPLANES EQUIPPED WITH PROPELLER DE-ICE SYSTEM.		
		A---210 SERIAL 21058819 & ON		
		B---210 SERIAL 21058819 THRU 21059061		
		C---210 SERIAL 21059062 & ON		

Cowl (Cont)

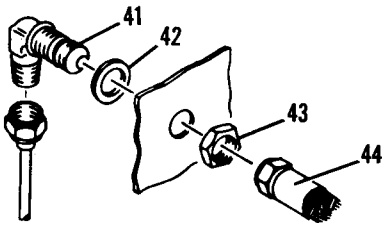


T210 SERIAL T210-0198 & ON

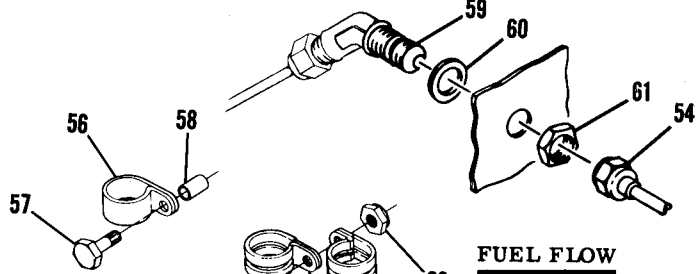
Figure 70. Upper Cowl & Nose Cap Installation

FIGURE AND INDEX NO.	PART NUMBER	DESCRIPTION	UNITS PER ASSY	USABLE ON CODE
		1 2 3 4 5 6 7		
70 -		UPPER CCWL AND NOSE CAP INSTALLATION -----	NP	A
- 1	1252400-25	CCWL HALF-LH -----	1	
- 2	1252400-31	SKIN ASSEMBLY-UPPER CCWL LH -----	1	
- 3	1252400-16	ANGLE -----	1	
- 4	1250841-1	DOOR ASSEMBLY-OIL CHECK ACCESS -----	1	
- 5	KM610-51	LATCH CLC -----	1	
- 6	S1397-4	PLACARD -----	1	
- 7	1452225-44	HINGE ASSEMBLY -----	1	
- 8	MS20253-2-4.04	PIN-HINGE -----	1	
- 9	1552010-1	SPRING -----	1	
-10	1250823-1	DOOR ASSEMBLY-OIL FILLER ACCESS -----	1	
-11	1552004-24	RETAINER ASSEMBLY -----	1	
-12	1552004-22	HINGE HALF -----	1	
-13	KM610-51	LATCH CLC -----	1	
-14	1552010-1	SPRING -----	1	
-15	1552004-17	PIN-HINGE -----	1	
-16	RG4	SNAP RING CLC -----	20	
-17	4002G	GROMMET CLC -----	20	
-18	40S5-3	STUD CLC -----	19	
-19	40S5-5	STUD CLC -----	1	
-20	1552004-25	STRIKER -----	1	
-21	1250842-1	DOUBLER -----	1	
-22	1250842-2	SPACER -----	1	
-23	1252000-11	STIFFENER -----	1	
-24	0752635-1	STRIKER -----	1	
-25	0752635-2	SPACER -----	1	
		ATTACHING PARTS		
-26	AN507-632	SCREW -----	2	
	NAS679A06	NUT -----	2	
		-----*		
-27	1252400-15	DOUBLER -----	1	
-28	1252400-26	CCWL HALF-RH -----	1	
-29	1252400-32	SKIN ASSEMBLY-UPPER CCWL-RH -----	1	
-30	1252001-1	STRIP ASSEMBLY-REMOVABLE CCWL -----	1	
-31	1252001-2	STRIP -----	1	
-32	4002-244-16	RECEPTACLE CLC -----	9	
-33	RG4	SNAP RING CLC -----	11	
-34	4002G	GROMMET CLC -----	11	
-35	40S5-3	STUD CLC -----	10	
-36	40S5-5	STUD CLC -----	1	
-37	1250821-19	NOSE CAP ASSEMBLY-LH -----	1	B
	1250821-33	NOSE CAP ASSEMBLY-LH -----	1	C
-38	1250821-18	NOSE CAP ASSEMBLY-RH -----	1	B
	1250821-32	NOSE CAP ASSEMBLY-RH -----	1	C
		ATTACHING PARTS		
-39	AN509-10R10	SCREW -----	2	
-40	AN509-10R7	SCREW-LH ONLY -----	4	
	AN509-10R7	SCREW-RH ONLY -----	10	
		-----*		
-41	NAS680A3	NUTPLATE -----	3	
-42	1250822-1	SEAL ASSEMBLY-LH -----	1	
	1250934-1	SEAL ASSEMBLY-LH -----	1	
-43	1250822-2	SEAL ASSEMBLY-RH -----	1	
	1250934-2	SEAL ASSEMBLY-RH -----	1	
-44	1250893-1	SEAL-RH ONLY -----	1	
-45	S1589-3	EYELET-LH -----	12	
	S1589-3	EYELET-RH -----	16	
-46	AN960PD2	WASHER -----	5	
-47	1250893-2	RETAINER-RH -----	1	
-48	4002-244-16	RECEPTACLE CLC -----	3	
-49	1250902-1	SEAL LH -----	1	
-50	1250902-2	RETAINER LH -----	1	
-51	1250821-27	PAD INSULATION LH ONLY -----	1	
	1250821-26	PAD INSULATION RH ONLY -----	1	
-52	1250821-31	SKIN-INSULATION PAD LH ONLY -----	1	
	1250821-30	SKIN-INSULATION PAD RH ONLY -----	1	
	AN960PD3L	WASHER BETWEEN SKIN & RIVET HEADS -----	6	
		NOTE. *USED ON AIRPLANES EQUIPPED WITH PROPELLER DE-ICE SYSTEM.		
		A---T210 SERIAL T210-0198 & ON		
		B---T210 SERIAL T210-0198 THRU T210-0392		
		C---T210 SERIAL T210-0393 & ON		

Engine

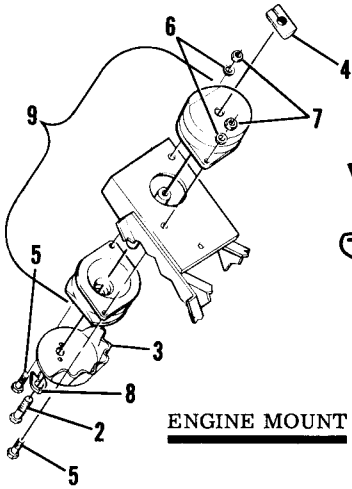
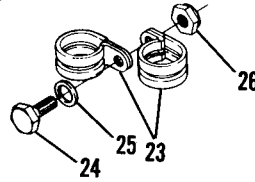


MANIFOLD PRESSURE

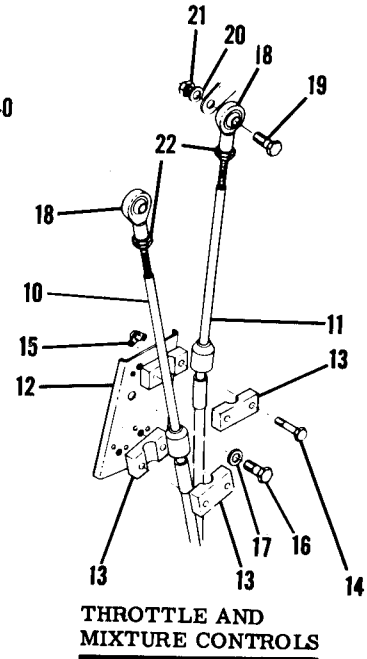
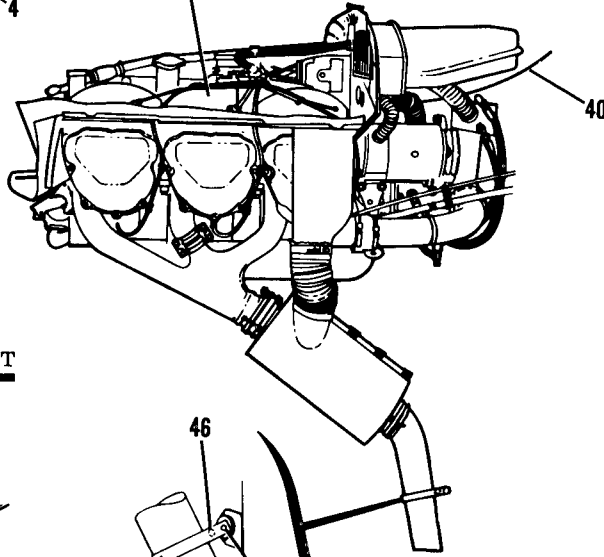


FUEL FLOW

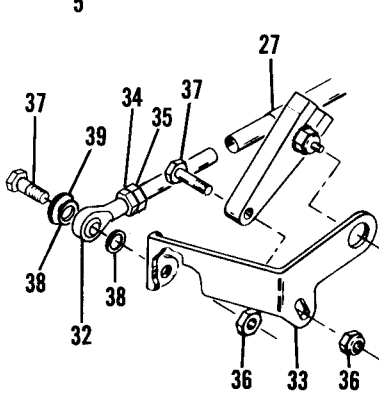
CONTROLS ATTACHMENT AT FIREWALL



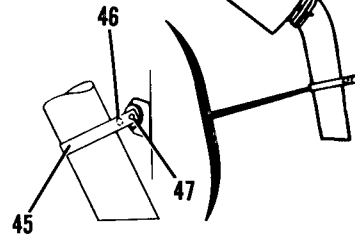
ENGINE MOUNT



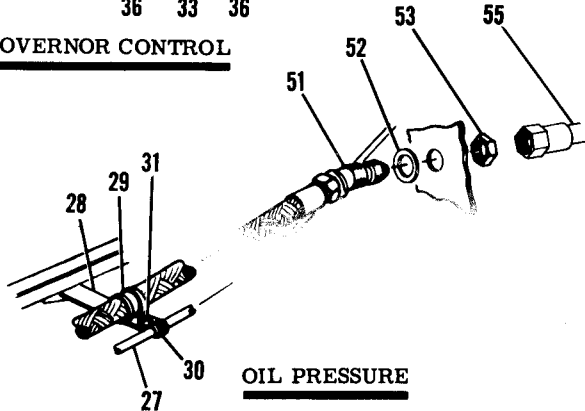
THROTTLE AND MIXTURE CONTROLS



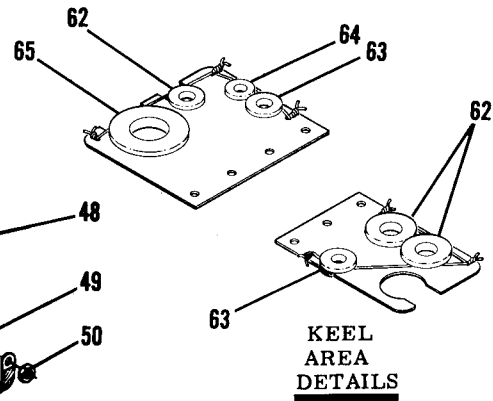
GOVERNOR CONTROL



GROUND STRAP



OIL PRESSURE



KEEL AREA DETAILS

210 SERIAL 21058819 & ON

Figure 71. Engine Installation

FIGURE AND INDEX NO.	PART NUMBER	DESCRIPTION	UNITS PER ASSY	USABLE ON CODE
71 -		1 2 3 4 5 6 7		
- 1	SEE FIG 73	ENGINE INSTALLATION ----- ENGINE ASSEMBLY-CONTINENTAL ----- ATTACHING PARTS -----	NP 1	A
- 2	AN7-40A AN960-716 AN960-716L	BOLT ----- WASHER ----- WASHER -----	4 AR AR	
- 3	1250878-1	DEFLECTOR -----	4	
- 4	539911	NUT-BARREL CM -----	4	
- 5	AN4-7A	BOLT -----	8	
- 6	AN960-416	WASHER -----	8	
- 7	NAS679A4	NUT -----	8	
- 8	0851559-1	LOCKWASHER -----	4	
- 9	J12453-2 J12453-1	SHOCK MOUNT ASSEMBLY-FORWARD LO ----- SHOCK MOUNT ASSEMBLY-REAR LO -----	2 2	
-10	S1220-3	CONTROL-MIXTURE -----	1	
-11	S1222-10	CONTROL-THROTTLE ----- ATTACHING PARTS -----	1	
-12	1250401-1	CLAMP ASSEMBLY -----	1	
-13	1250401-2	BRACKET -----	1	
-14	1250401-3	CLAMP HALF -----	4	
-15	AN3-7A	BOLT -----	4	
-16	NAS698A3	NUTPLATE -----	4	
-17	MS20074-03-3	BOLT ATTACH 1250401-1 TO ENGINE -----	2	
-18	AN960-10L	WASHER ATTACH 1250401-1 TO ENGINE -----	2	
-19	S1104-3	ROD END -----	1	
-20	AN3-6A	BOLT -----	1	
-21	AN960-10L	WASHER -----	1	
-22	NAS679A3	NUT -----	1	
-23	MS21919DG5	NUT -----	2	
-24	AN3-4A	CLAMP ATTACH S1220-3 & S1222-10 TOGETHER -----	2	
-25	AN960-10L	BOLT -----	1	
-26	NAS679A3	WASHER ----- NUT -----	1 1	
-27	S1223-4	CONTROL-PROPELLER ----- ATTACHING PARTS -----	1	
-28	0550100-9	BRACKET -----	1	
-29	MS21919DG8	CLAMP -----	1	
-30	S1486DG8U	CLAMP -----	1	
-31	S1021Z8-8	SCREW -----	1	
-32	S1104-3	ROD END -----	1	
-33	C750138	ARM -----	1	
-34	AN315-3R	NUT -----	1	
-35	AN356-1032	NUT -----	1	
-36	NAS679A3	NUT -----	2	
-37	AN3-7A	BOLT -----	2	
-38	AN960D10	WASHER ONE EACH SIDE OF ROD END -----	2	
-39	AN970-3	WASHER -----	1	
-40	S1605-6	SHAFT-TACHOMETER -----	1	
-41	AN833-2D	ELBOW -----	1	
-42	AN960D516	WASHER -----	1	
-43	AN924-2D	NUT -----	1	
-44	S1168-2-13 AN816-2D	HOSE ASSEMBLY-MANIFOLD PRESSURE FIREWALL TO PANEL ----- NIPPLE ATTACH MANIFOLD PRESSURE HOSE AT PANEL -----	1 1	

CONTINUED ON NEXT PAGE



FIGURE AND INDEX NO.	PART NUMBER	DESCRIPTION	1 2 3 4 5 6 7							UNITS PER ASSY	USABLE ON CODE
71 -45	1250259-1	CLAMP ASSEMBLY-EXHAUST ATTACHING PARTS								1	
-46	AN3-5A	BOLT								1	
	AN960-10L	WASHER								1	
	NAS679A3	NUT								1	
-47	AN3-6A	BOLT								2	
	AN960-10L	WASHER								2	
	NAS679A3	NUT								2	
		---*---									
-48	0412007-8	GROUND STRAP ATTACHING PARTS								1	
-49	AN4-4A	BOLT								1	
-50	NAS679A4	NUT								1	
		---*---									
-51	AN837-4D	ELBOW OIL PRESSURE								1	
-52	AN960D716	WASHER								1	
-53	AN924-4D	NUT								1	
-54	1200106-36	LINE ASSEMBLY-FUEL PRESSURE FIREWALL TO PANEL								1	
-55	1200106-127	TUBE ASSEMBLY-OIL PRESSURE FIREWALL TO PANEL								1	
-56	AN742D4	CLAMP ATTACH INDUCTION AIR CONTROL TO FIREWALL ATTACHING PARTS								1	
-57	AN3-7A	BOLT								1	
-58	NAS43DD32	SPACER								1	
		---*---									
-59	1250890-1	ELBOW-ATTACH FUEL PRESSURE LINE AT FIREWALL								1	
-60	AN960D516	WASHER								1	
-61	AN924-2D	NUT								1	
-62	MS35849-11	GROMMET								3	
-63	MS35849-6	GROMMET								2	
-64	MS35849-4	GROMMET								1	
-65	MS35849-20	GROMMET								1	
		A---210 SERIAL 21058819 & ON									



FIGURE AND INDEX NO.	PART NUMBER	DESCRIPTION	UNITS PER ASSY	USABLE ON CODE
		1 2 3 4 5 6 7		
72 -		TURBOCHARGED ENGINE INSTALLATION -----	NP	A
- 1	SEE FIG 74	ENGINE ASSEMBLY-TURBOCHARGED -----	1	
		ATTACHING PARTS		
- 2	AN7-40A	BOLT -----	4	
- 3	0851559-1	LOCK WASHER -----	4	
- 4	1250897-1	SHAFT ASSEMBLY LH SIDE -----	2	
	539911	NUT BARREL RH SIDE -----	2	
- 5	AN4-7A	BOLT -----	8	
- 6	AN960-416	WASHER -----	8	
- 7	NAS679A4	NUT -----	8	
- 8	J12453-1	SHOCK MOUNT KIT-REAR -----	1	
	J12453-2	SHOCK MOUNT KIT-FRONT R -----	1	
	1250800K200	SHOCK MOUNT KIT-FRONT LH -----	1	
		-----*		
- 9	S1220-3	CONTROL-MIXTURE -----	1	
-10	S1222-10	CONTROL-THROTTLE -----	1	
		ATTACHING PARTS		
-11	1250807-1	CLAMP ASSEMBLY -----	1	
-12	1250401-3	CLAMP HALF -----	4	
-13	AN3-7A	BOLT -----	2	
-14	AN3-10A	BOLT -----	2	
-15	NAS698A3	NUTPLATE -----	4	
-16	MS20074-03-3	BOLT -----	3	
-17	AN960-10L	WASHER -----	3	
		CONTINUED ON NEXT PAGE		

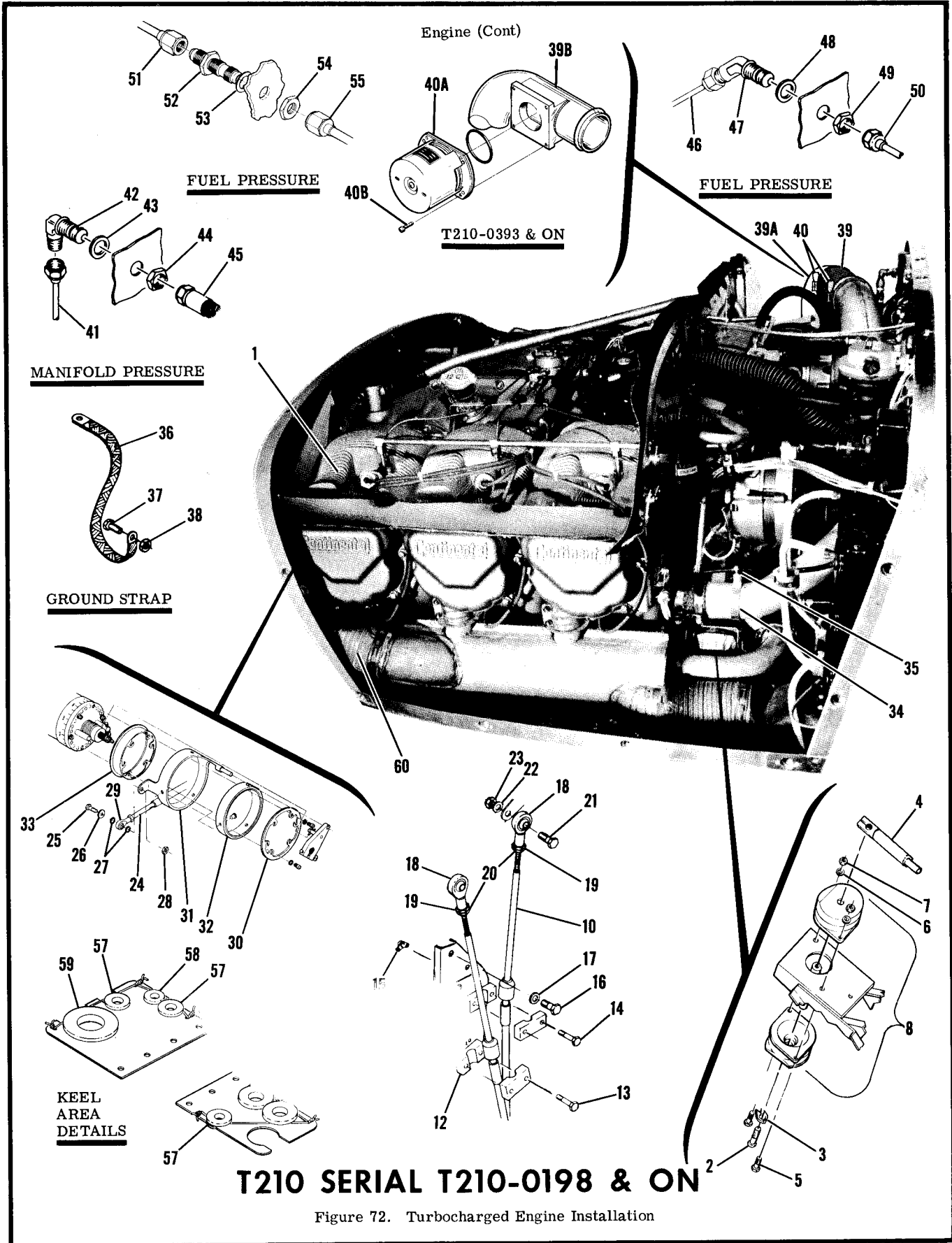
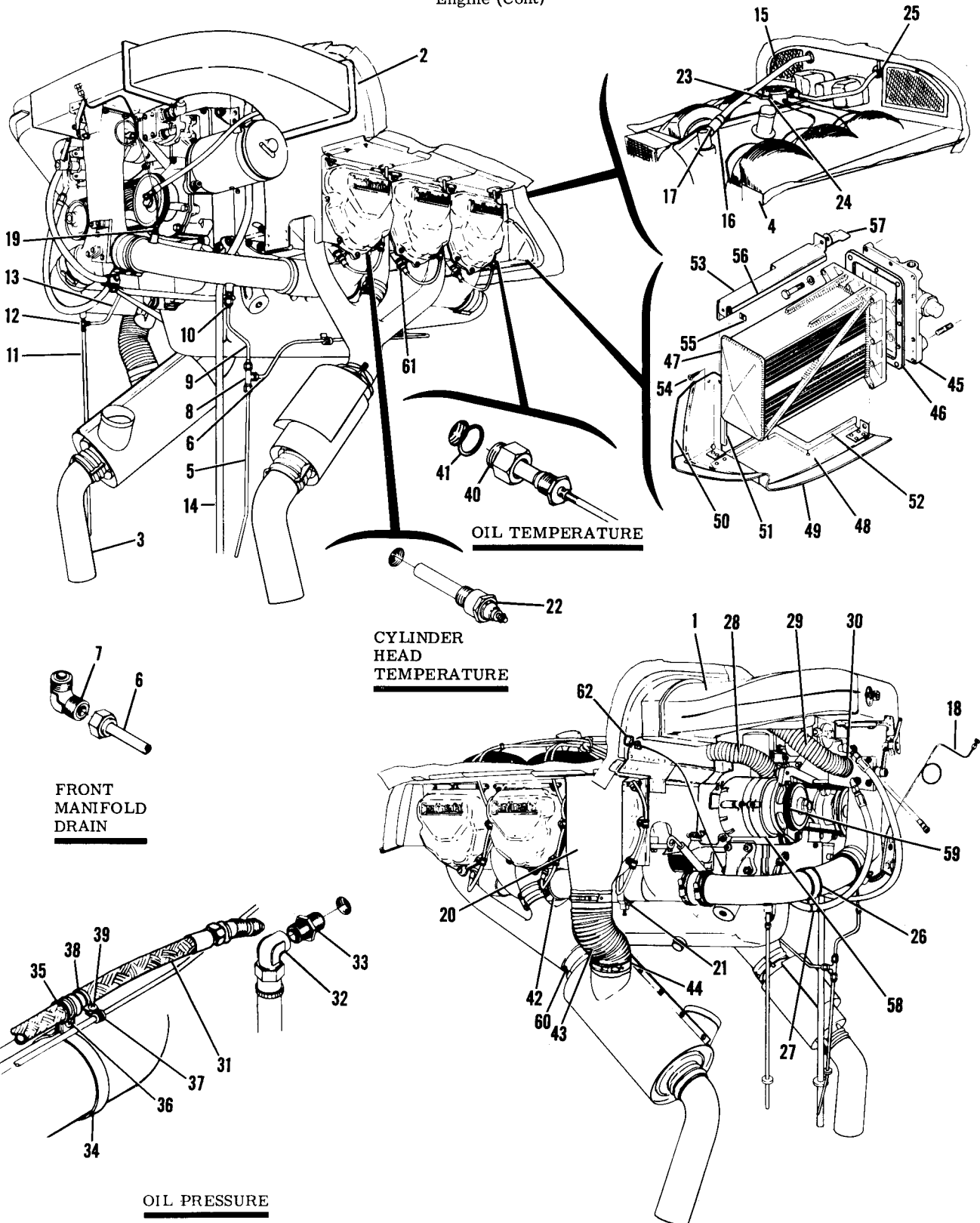


FIGURE AND INDEX NO.	PART NUMBER	DESCRIPTION	UNITS PER ASSY	USABLE ON CODE
72 -18	S1104-3	ROD END -----	2	
-19	AN315-3R	NUT-CHECK -----	2	
-20	AN356-1032	NUT -----	2	
-21	AN3-6A	BOLT -----	2	
-22	AN960-10L	WASHER -----	2	
-23	NAS679A3	NUT -----	2	
	MS21919DG5	CLAMP ATTACH CONTROL' -----	2	
	AN3-4A	BOLT -----	2	
	AN960-10L	WASHER -----	2	
	NAS679A3	NUT -----	2	
		---*---		
-24	S1223-4	CONTROL-GOVERNOR -----	1	
		ATTACHING PARTS		
-25	AN3-7A	BOLT -----	1	
-26	AN970-3	WASHER -----	1	
-27	AN960D10	WASHER -----	2	
-28	NAS679A3	NUT -----	1	
-29	S1104-3	RCD END -----	1	
	AN315-3R	NUT -----	1	
	AN356-1032	NUT -----	1	
-30	1250838-2	RETAINER -----	1	
	1250837-1	ARM & BEARING ASSEMBLY-GOVERNOR CONTROL -----	1	
-31	1250837-7	ARM-GOVERNOR CONTROL -----	1	
-32	1250837-3	BEARING -----	1	
-33	1250838-1	RACE-CONTROL ARM ASSEMBLY -----	1	
-34	S1485D36L	CLAMP -----	1	
-35	MS21919DG5	CLAMP -----	1	
	S1021Z10-8	SCREW -----	1	
		---*---		
-36	0412007-8	STRAP-GROUND -----	1	
		ATTACHING PARTS		
-37	AN4-4A	BOLT -----	1	
-38	NAS679A4	NUT -----	1	
		---*---		
-39	1250929-1	CCUPLER-COMPRESSOR DUCT -----	1	
-39A	1250928-1	DUCT-COMPRESSOR TO THROTTLE BODY -----	1	B
-39B	1250928-2	DUCT ASSEMBLY-COMPRESSOR TO THROTTLE BODY -----	1	C
		ATTACHING PARTS		
-40	AN737TW91	CLAMP -----	4	
		---*---		
-40A	C482002-0101	VALVE ASSEMBLY-ABSOLUTE PRESSURE RELIEF -----	1	C
		ATTACHING PARTS		
-40B	AN500-10-10	SCREW -----	4	
		---*---		
-41	1200106-118	LINE ASSEMBLY-MANIFOLD PRESSURE -----	1	
		ATTACHING PARTS		
	AN816-2D	NIPPLE -----	1	
-42	AN833-2D	ELBOW -----	1	
-43	AN960D516	WASHER -----	1	
-44	AN924-2D	NUT -----	1	
		---*---		
-45	S1168-2-13	HOSE ASSEMBLY FIREWALL TO GAGE -----	1	
-46	1200106-83	LINE ASSEMBLY-FUEL PRESSURE MANIFOLD VALVE TO FIREWALL --	1	
		ATTACHING PARTS		
-47	1250890-1	ELBOW -----	1	
-48	AN960D516	WASHER -----	1	
-49	AN924-2D	NUT -----	1	
		---*---		
-50	1200106-36	LINE ASSY-FUEL PRESSURE FIREWALL TO FUEL PORT ON GAGE ---	1	
-51	1200106-119	LINE ASSY-FUEL PRESSURE AIR MANIFOLD TO FIREWALL -----	1	
		ATTACHING PARTS		
-52	AN832-2D	UNION -----	1	
-53	AN960D516	WASHER -----	1	
-54	AN924-2D	NUT -----	1	
	AN816-2D	NIPPLE -----	1	
		---*---		
-55	1200106-36	LINE ASSY-FUEL PRESSURE FIREWALL TO VENT PORT ON GAGE ---	1	
-56	MS35489-11	GROMMET -----	2	
-57	MS35489-6	GROMMET -----	3	
-58	MS35489-4	GROMMET -----	1	
-59	MS35489-20	GROMMET -----	1	
-60	SEE FIG 91	CABIN HEAT & DEFROST INSTALLATION -----	NP	
		A---T210 SERIAL T210-0198 & ON		
		B---T210 SERIAL T210-0198 THRU T210-0392		
		C---T210 SERIAL T210-0393 & ON		

Engine (Cont)



210 SERIAL 21058819 & ON

Figure 73. Engine Assembly

FIGURE AND INDEX NO.	PART NUMBER	DESCRIPTION	UNITS PER ASSY	USABLE ON CODE
		1 2 3 4 5 6 7		
73 -	SEE FIG 75	ENGINE ASSEMBLY -----	NP	A
	IC520A	ENGINE COMPONENTS & ASSOCIATED ACCESSORIES -----	1	
	IC520J	ENGINE-CONTINENTAL ----- 210 SERIAL 21058819-	1	C
- 1	SEE FIG 77	ENGINE-CONTINENTAL ----- & ON	1	D
- 2	SEE FIG 85	BOX INSTALLATION-INDUCTION AIR -----	1	
- 3	SEE FIG 83	BAFFLES INSTALLATION-ENGINE -----	1	
- 4	SEE FIG 81	EXHAUST STACK ASSEMBLIES -----	1	
- 5	1200106-7	GOVERNOR-PROPELLER -----	1	
- 6	1200106-6	LINE ASSEMBLY-MANIFOLD DRAIN LOWER RH -----	1	
		LINE ASSEMBLY-MANIFOLD DRAIN FORWARD -----	1	
		ATTACHING PARTS -----		
- 7	MS20822-4D	ELBOW -----	1	
- 8	AN824-4D	TEE -----	1	
	125C402-1	SUPPORT-MANIFOLD DRAIN -----	1	
	S1486DG4L	CLAMP -----	1	
	S102178-8	SCREW -----	1	
		-----*		
+ 9	1200106-50	LINE ASSEMBLY-MANIFOLD DRAIN UPPER RH -----	1	
		ATTACHING PARTS -----		
-10	AN816-4D	NIPPLE -----	1	
		-----*		
-11	1200106-49	LINE ASSEMBLY-MANIFOLD DRAIN LH -----	1	
		ATTACHING PARTS -----		
-12	MS20826-4D	TEE -----	1	
		-----*		
-13	1200106-84	LINE ASSEMBLY-ENGINE PUMP -----	1	
-14	1200106-113	TUBE-BREATHER AFT -----	1	
-15	1200106-108	TUBE-BREATHER AFT -----	1	
		ATTACHING PARTS -----		
-16	S51-12	HOSE-3.0 IN LG BULK ITEM REF S51-12-12 -----	2	
-17	NAS397-18	CLAMP -----	4	
		-----*		
-18	1200106-54	LINE ASSEMBLY-MANIFOLD PRESSURE -----	1	
		ATTACHING PARTS -----		
-19	AN816-2D	NIPPLE -----	1	
		-----*		
-20	1250123-1	INLET ASSEMBLY-AIR -----	1	
		ATTACHING PARTS -----		
	S102176-6	SCREW -----	6	
	NAS446-2-3	NUT -----	6	
		-----*		
-21	0750121-1	DEFLECTOR-EXHAUST HEAT -----	6	
-22	S1372-1	SENDING UNIT-CYLINDER HEAD TEMPERATURE -----	1	
	AN9C0-6	GASKET USED WITH SENDING UNIT ABOVE -----	1	
-23	1200106-83	LINE ASSEMBLY -----	1	
-24	MS20822-2D	ELBOW ATTACH FUEL PRESSURE LINE AT DISTRIBUTOR -----	1	
-25	MS21919DG8	CLAMP -----	1	
	AN515-8R8	SCREW -----	1	
	AN960-8L	WASHER -----	1	
	NAS679A08	NUT -----	1	
-26	S1485D36L	CLAMP -----	1	
-27	MS21919DG8	CLAMP -----	1	
	S1021710	SCREW -----	1	
-28	S1053E12T	DUCT 16.5 IN LG BULK ITEM REF S1053E12T16.5 -----	1	
-29	S1053E12T	DUCT 19.0 IN LG BULK ITEM REF S1053E12T19.0 -----	1	
		ATTACHING PARTS -----		
-30	NAS397-28	CLAMP -----	2	
		-----*		
-31	S1236-4-0380	HOSE ASSEMBLY-OIL PRESSURE -----	1	
		ATTACHING PARTS -----		
-32	0752037-1	ELBOW ASSEMBLY -----	1	
-33	AN912-3	BUSHING -----	1	
-34	S1485D36L	CLAMP -----	1	

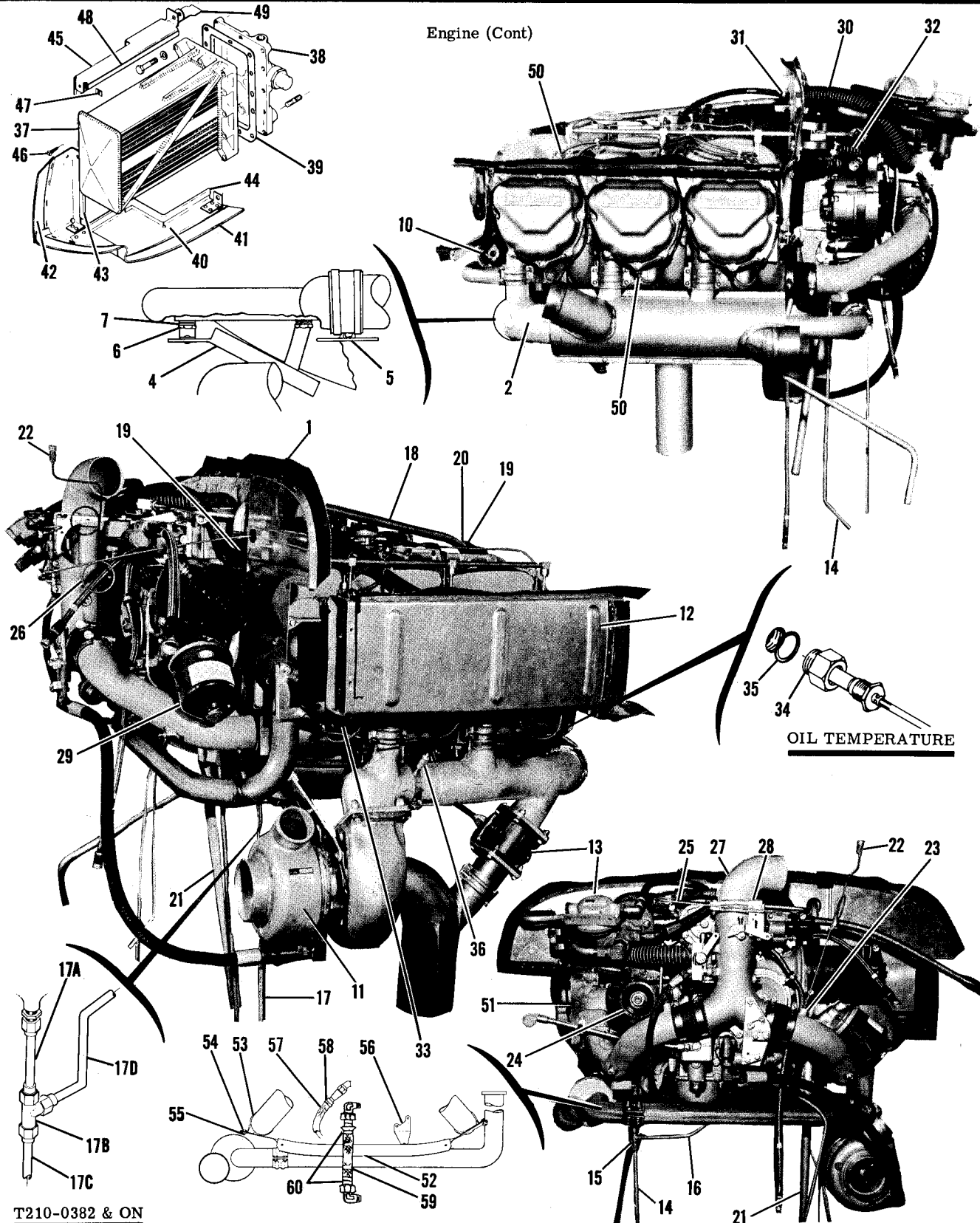
CONTINUED ON NEXT PAGE

FIGURE AND INDEX NO.	PART NUMBER	DESCRIPTION	UNITS PER ASSY	USABLE ON CODE
73 -35	MS21919DG8	CLAMP -----	1	
-36	S1021Z10-8	SCREW -----	1	
-37	MS21919DG5	CLAMP -----	1	
-38	MS21919DG8	CLAMP -----	1	
-39	S1021Z8-8	SCREW -----	1	
	NAS446-4-3	NUT -----	1	
		-----*		
-40	0750139	ADAPTOR-OIL TEMPERATURE -----	1	
-41	AN900-10	GASKET -----	1	
-42	0450191-1	CLAMP -----	1	
	AN3-12A	BOLT -----	1	
	AN936B10	WASHER -----	1	
	AN741-18P	CLAMP -----	1	
	NAS679A3	NUT -----	1	
-43	S1053K24T	DUCT 9.5 IN LG BULK ITEM S1053K24T9.5 -----	1	
		ATTACHING PARTS		
-44	NAS398-50	CLAMP -----	2	
		-----*		
		COOLER INSTALLATION OIL-NON CONGEALING -----	NP	
	EQ5914	KIT-OIL COOLER CM -----	1	
-45	626332	PLATE-OIL COOLER CM -----	1	
-46	626342	GASKET-OIL COOLER TO PLATE CM -----	1	
	626341	GASKET-PLATE TO CRANKCASE CM -----	1	
-47	630050	COOLER-ENGINE OIL CM -----	1	
	625966	GASKET-PLUG -----	1	
-48	1200614-2	BAFFLE ASSEMBLY -----	1	
-49	0700318-8	SEAL -----	1	
-50	0700318-7	SEAL -----	1	
-51	S202RB	MOULDING 5.0 IN LG BULK ITEM REF S202R500B -----	1	
-52	S202RB	MOULDING 11.50 IN LG BULK ITEM REF S202R1150B -----	1	
-53	1200614-4	BAFFLE ASSEMBLY -----	1	
		ATTACHING PARTS		
-54	S1021Z6-6	SCREW -----	1	
-55	NAS446-2-3	NUT -----	1	
		-----*		
-56	S202RB	MOULDING 8.50 IN LG BULK ITEM REF S202R850B -----	1	
-57	0750152-3	BAFFLE -----	1	
-58	SEE FIG 130	ALTERNATOR INSTALLATION -----	1	
-59	S1597-1-30.8	DRIVE BELT-ALTERNATOR -----	1	
-60	C668501-0204	PROBE ASSEMBLY-ECONOMY POWER INDICATOR -----	1	
-61	SEE FIG 75	SPARK PLUGS -----	1	
-62	SEE FIG 106	STRAINER DRAIN CONTROL INSTALLATION -----	1	B
		A---210 SERIAL 21058819 & ON		
		B---210 SERIAL 21058937 & ON		
		C---210 SERIAL 21058819 THRU 21059061		
		D---210 SERIAL 21059062 & ON		

FIGURE AND INDEX NO.	PART NUMBER	DESCRIPTION	UNITS PER ASSY	USABLE ON CODE
74 -		1 2 3 4 5 6 7		
		TURBOCHARGED ENGINE ASSEMBLY -----	NP	A
	SEE FIG 76	ENGINE COMPONENTS & ASSOCIATED ACCESSORIES -----	1	
	TS10520C	ENGINE-CONTINENTAL -- T210 SERIAL T210-0198	1	E
	TS10520H	ENGINE-CONTINENTAL -- & ON	1	F
- 1	SEE FIG 86	BAFFLES INSTALLATION -----	1	
- 2	SEE FIG 84	EXHAUST SYSTEM COMPONENTS -----	1	
- 3		DELETED NOT PROCURABLE -----		
- 4	1250913-1	SHIELD ASSEMBLY-DEFLECTOR-FRONT -----	1	
- 5	0750121	DEFLECTOR -----	7	
- 6	AN9600516L	WASHER UNDER BOLT HEAD -----	4	
- 7	AN9600516	WASHER UNDER SHIELD -----	3	
- 8		DELETED NOT PROCURABLE -----		
- 9		DELETED NOT PROCURABLE -----		
-10	SEE FIG 81	GOVERNOR-PROPELLER WOODWARD -----	1	
	SEE FIG 82	GOVERNOR-PROPELLER MCCAULEY ALTERNATE -----	1	
-11	SEE FIG 79	TURBOCHARGER INSTALLATION -----	1	
-12	SEE FIG 78	AIR INLET INSTALLATION -----	1	
-13	SEE FIG 80	EXHAUST VALVE & CONTROLLER INSTALLATION -----	1	
-14	1200106-134	LINE ASSEMBLY-MANIFOLD DRAIN LH -----	1	
-15	1200106-135	LINE ASSEMBLY-MANIFOLD DRAIN LH -----	1	
		ATTACHING PARTS		
	MS20822-4D	ELBOW -----	1	
	AN824-4D	TEE -----	1	
		*-----		
-16	1200106-133	LINE ASSEMBLY-PUMP DRAIN -----	1	
-17	1200106-122	LINE ASSEMBLY-MANIFOLD DRAIN RH -----	1	C
-17A	1200106-139	LINE ASSEMBLY-MANIFOLD DRAIN RH -----	1	D
-17B	AN824-4D	TEE -----	1	D
-17C	1200106-140	LINE ASSEMBLY-MANIFOLD DRAIN RH -----	1	D
-17D	1200106-141	LINE ASSEMBLY-FWD MANIFOLD DRAIN -----	1	D
		ATTACHING PARTS		
	1250402-1	SUPPORT-ATTACH TO ENGINE -----	1	D
	NAS435D4	CLAMP -----	1	D
	S102178-8	SCREW -----	1	D
	AN816-4D	NIPPLE ATTACH TO FWD END OF MANIFOLD -----	1	D
		*-----		
-18	1200106-108	TUBE-BREATHER FORWARD -----	1	
-19	S51-12-12	HOSE 3 IN LG BULK ITEM REF S51-12-12 -----	2	
		ATTACHING PARTS		
-20	NAS397-18	CLAMPS -----	2	
		*-----		
-21	1200106-113	TUBE-BREATHER AFT -----	1	
-22	1200106-118	LINE ASSEMBLY-MANIFOLD PRESSURE -----	1	
		ATTACHING PARTS		
-23	AN816-2D	NIPPLE -----	1	
		*-----		
-24	S1597-1-30.8	BELT-ALTERNATOR DRIVE -----	1	
-25	1200106-119	LINE ASSEMBLY-FUEL PRESSURE -----	1	
		ATTACHING PARTS		
	AN816-2D	NIPPLE -----	1	
	AN742D2	CLAMP -----	1	
	AN515-8R6	SCREW -----	1	
		*-----		
-26	1200106-83	LINE ASSEMBLY-FUEL PRESSURE -----	1	

CONTINUED ON NEXT PAGE

Engine (Cont)



T210-0382 & ON

T210 SERIAL T210-0198 & ON

Figure 74. Turbocharged Engine Assembly



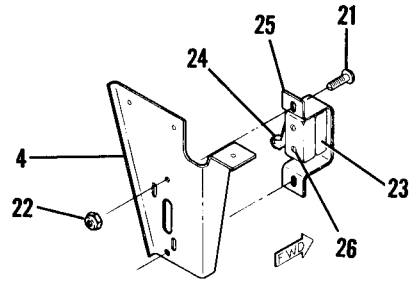
FIGURE AND INDEX NO.	PART NUMBER	DESCRIPTION	UNITS PER ASSY	USABLE ON CODE
74 -27	I250817-1	ADAPTER ASSEMBLY-THROTTLE BODY ----- ATTACHING PARTS -----	1	
-28	AN4-11A NAS679A4 AN960PD10	BOLT ----- NUT ----- WASHER ----- -----*	4 4 4	
-29	SEE FIG 109	OIL FILTER INSTALLATION -----	1	
-30	S1053E12T	DUCT 19.0 IN LG BULK ITEM REF S1053E12T19.0 ----- ATTACHING PARTS -----	1	
	NAS397-28	CLAMP ----- -----*	2	
-31	MS21919DG8	CLAMP ----- ATTACHING PARTS -----	2	
	AN515-8R8 AN960-8L NAS679A08	SCREW ----- WASHER ----- NUT ----- -----*	1 1 1	
-32	S1053E12T	DUCT 16.5 IN LG BULK ITEM REF S1053E12T16.5 ----- ATTACHING PARTS -----	1	
	NAS397-28	CLAMP ----- -----*	2	
-33	S1372-1 AN900-6	SENDING UNIT-CYLINDER HEAD TEMPERATURE ----- GASKET -----	1 1	
-34	0750139	ADAPTER-OIL TEMPERATURE -----	1	
-35	A900-10	GASKET -----	1	
-36	C668501-0204	PROBE-ECONOMY POWER INDICATOR ----- OIL COOLER INSTALLATION-NON CONGEALING -----	1 NP	
-37	633187	OIL COOLER CM -----	1	
-38	626332	PLATE-OIL COOLER CM -----	1	
-39	626342 626341	GASKET-OIL COOLER TO PLATE CM ----- GASKET-PLATE TO CRANKCASE CM -----	1 1	
-40	1200614-2	BAFFLE ASSEMBLY -----	1	
-41	0700318-8	SEAL -----	1	
-42	0700318-7	SEAL -----	1	
-43	S202RB	MCULDING-5.0 IN LG BULK ITEM REF S202R500B -----	1	
-44	S202RB	MOULDING-11.50 IN LG BULK ITEM REF S202R1150B -----	1	
-45	1200614-4	BAFFLE ASSEMBLY ----- ATTACHING PARTS -----	1	
-46	S1021Z6-6	SCREW -----	1	
-47	NAS446-2-3	NUT ----- -----*	1	
-48	S202RB	MCULDING-8.50 IN LG BULK ITEM REF S202R850B -----	1	
-49	0750152-3	BAFFLE -----	1	
-50	SEE FIG 76	SPARK PLUG -----	12	
-51	SEE FIG 106	CONTROL-STRAINER DRAIN -----	1	B
-52	1250007-1	SHROUD ASSEMBLY-CROSSOVER EXHAUST ----- ATTACHING PARTS -----	1	
-53	MS21919DG36	CLAMP -----	2	
-54	AN3-4A AN960-10L	BOLT ----- WASHER -----	2 2	
-55	NAS679A3	NUT ----- -----*	2	
-56	1250009-1	SUPPORT -----	1	
-57	S1127-6-10	SLEEVE ----- ATTACHING PARTS -----	1	
-58	NAS397-12	CLAMP ----- -----*	1	
-59	S1127-8-6	SLEEVE ----- ATTACHING PARTS -----	1	
-60	NAS397-16	CLAMPS ----- -----*	2	

A---T210 SERIAL T210-0198 & ON
 B---T210 SERIAL T210-0308 & ON
 C---T210 SERIAL T210-0198 THRU T210-0381
 D---T210 SERIAL T210-0382 & ON
 E---T210 SERIAL T210-0198 THRU T210-0392
 F---T210 SERIAL T210-0393 & ON

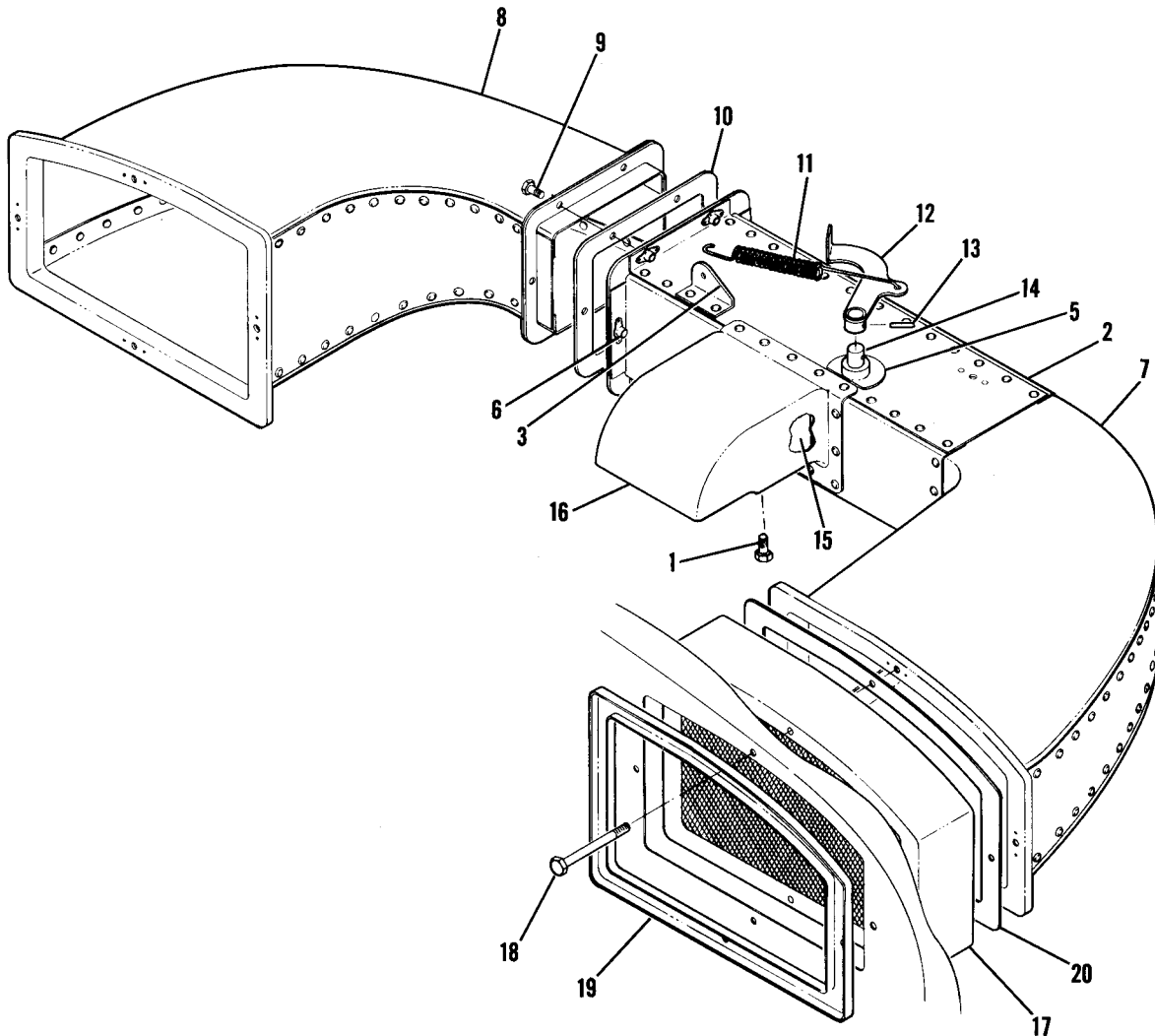
FIGURE AND INDEX NO.	PART NUMBER	DESCRIPTION	UNITS PER ASSY	USABLE ON CODE
75 -		ENGINE COMPONENTS & ASSOCIATED ACCESSORIES IO520A & J ENGINE --	NP	A
- 1	625765	MAGNETO-SLICK CM SLICK NO 622	2	
- 2	534750	GASKET-MAGNETO TO ENGINE CM	2	
- 3	629076	MAGNETO DRIVE GEAR CM	2	
- 4	531179	MAGNETO DRIVE COUPLING-RUBBER BUSHING CM	4	
- 5	531178	MAGNETO DRIVE COUPLING-RETAINER CM	2	
- 6	633311	IGNITION HARNESS-SLICK CM SLICK NO M-1480	1	
- 7	633004	IGNITION HARNESS-BENDIX CM BENDIX IO-320330-2	1	
- 8	626189	OIL COOLER-HARRISON CM HARRISON 62272A	1	
	630050	OIL COOLER CM NONCONGEALING	1	
- 9	537282	GASKET-COOLER TO PLATE	1	
	626342	GASKET-COOLER TO PLATE CM USED ON NONCONGEALING	1	
		COOLER		
-10	625303	GASKET-COOLER TO ENGINE	1	
	626341	GASKET-PLATE TO CRANKCASE CM USED ON NONCONGEALING	1	
		COOLER		
-11	SEE FIG 130	ALTERNATOR-60 AMP	1	
-12	S1597-1-30.8	ALTERNATOR DRIVE BELT USED WITH 60 AMP ALTERNATOR	1	
-13	C61101-0101	VOLTAGE REGULATOR USED WITH ALTERNATOR	1	
-14	538076	GEAR-GOVERNOR BEVEL DRIVE CM	1	
-15	629176	STARTER-HEAVY DUTY CM DELCO NO 1108249	1	D
	634592	STARTER-HEAVY DUTY CM PRESTOLITE NO. MCL6501	1	E
-16	MS9021-038	O RING-STARTER	1	
-17	SL350	SPARK PLUG 3/4-20-3A THREADS	12	
-18	1250704-1	AIR FILTER-LH WHEN EXHAUSTED USE 1250704-3	1	B
	1250704-3	AIR FILTER-LH	1	C
	1250704-2	AIR FILTER-RH WHEN EXHAUSTED USE 1250704-4	1	B
	1250704-5	AIR FILTER-RH	1	C
-19	124756.06	FELT-AIR FILTER AMA	1	
-20	632062-2	DIP STICK-EXTENDED HANDLE CM	1	
-21	629397A1	AIR THROTTLE ASSEMBLY CM	1	
-22	629703-2A2	METERING UNIT CM	1	
-23	630947-1A1	FUEL PUMP CM	1	
-24	631351-3A6	MANIFOLD VALVE CM	1	
-25	627335-13	NOZZLE CM ADD LETTER B OR C TO P/N	1	AR
		HIGHER LETTERS DESIGNATES GREATER FLOW		
-26	SEE FIG 81	GOVERNOR-PROPELLER	1	
<p>NOTE. *THIS LISTING IS COMPILED TO PROVIDE PART NUMBERS OF COMMONLY USED ENGINE COMPONENTS AND ASSOCIATED ACCESSORIES. RELATIONSHIP OF THESE PARTS TO ENGINE OR AIRCRAFT ASSEMBLIES IS NOT INDICATED BY INDENTATION. THIS FIGURE IS NOT ILLUSTRATED. INDEX NUMBERS ARE PROVIDED FOR LOCATION OF LINE ON WHICH PART NUMBER APPEARS.</p> <p>NOTE. #IGNITION HARNESS CAN BE EITHER 633311 OR 633004. 633311 IS HARNESS NORMALLY SUPPLIED. WHEN UNAVAILABLE 633004 MAY BE SUBSTITUTED.</p> <p>A---210 SERIAL 21058819 & ON B---210 SERIAL 21058819 THRU 21058936 C---210 SERIAL 21058937 & ON D---210 SERIAL 21058819 THRU 21059061 E---210 SERIAL 21059062 & ON</p>				

FIGURE AND INDEX NO.	PART NUMBER	DESCRIPTION	UNITS PER ASSY	USABLE ON CODE
		1 2 3 4 5 6 7		
76 -		* ENGINE COMPONENTS & ASSOCIATED ACCESSORIES TS10520C & H ENGINE	NP	A
- 1	625765	MAGNETO-SLICK CM SLICK NO 622 -----	2	
- 2	534750	GASKET-MAGNETO TO ENGINE CM -----	2	
- 3	629076	MAGNETO DRIVE GEAR CM -----	2	
- 4	531179	MAGNETO DRIVE COUPLING-RUBBER BUSHING CM -----	4	
- 5	531178	MAGNETO DRIVE COUPLING-RETAINER CM -----	2	
- 6	633311	IGNITION HARNESS-SLICK CM SLICK M-1480 -----	1	
- 7	633187	OIL COOLER-NON CONGEALING-MODINE CM MODINE IE-1501D -----	1	
- 8	626342	GASKET-COOLER TO PLATE -----	1	
- 9	626341	GASKET-COOLER TO ENGINE -----	1	
-10	SEE FIG 79	TURBO CHARGER ----- T210 SERIAL -----	1	
-11	SEE FIG 80	CONTROLLER ----- T210-0198 & ON -----	1	
-12	SEE FIG 130	ALTERNATOR-60 AMP -----	1	
-13	S1597-1-30.8	ALTERNATOR DRIVE BELT -----	1	
-14	C611C01-0101	VOLTAGE REGULATOR -----	1	
-15	538076	GEAR-GOVERNOR BEVEL DRIVE CM -----	1	
-16	629176	STARTER-HEAVY DUTY CM DELCO 1108249 -----	1	B
	634592	STARTER-HEAVY DUTY CM PRESTOLITE NO. MCL6501 -----	1	C
-17	MS9C21-038	O RING-STARTER -----	1	
-18	SL350C	SPARK PLUG 3/4-20-3A THREADS -----	12	
-19	SEE FIG 78	FILTER-AIR INTAKE -----	1	
-20	632062-2	DIP STICK-EXTENDED HANDLE CM -----	1	
-21	632480A1	AIR THROTTLE ASSEMBLY CM -----	1	
-22	629703-8A1	METERING ASSEMBLY CM -----	1	
-23	630751-3A1	FUEL PUMP CM -----	1	
-24	631351-4A3	MANIFOLD VALVE CM -----	1	
-25	632748-15	NOZZLE CM ADD LETTER B, C, OR D TO P/N -----	AR	
		HIGHER LETTER DESIGNATES GREATER FLOW		
-26	SEE FIG 81	GOVERNOR-PROPELLER -----	1	
	SEE FIG 82	GOVERNOR-PROPELLER ALTERNATE -----	1	
<p>NOTE. *THIS LISTING IS COMPILED TO PROVIDE PART NUMBERS OF COMMONLY USED ENGINE COMPONENTS AND ASSOCIATED ACCESSORIES. RELATIONSHIP OF THESE PARTS TO ENGINE OR AIRCRAFT ASSEMBLIES IS NOT INDICATED BY INDENTATION. THIS FIGURE IS NOT ILLUSTRATED. INDEX NUMBERS ARE PROVIDED FOR LOCATION OF LINE ON WHICH PART NUMBER APPEARS.</p> <p>A---T210 SERIAL T210-0198 & ON B---T210 SERIAL T210-0198 THRU T210-0392 C---T210 SERIAL T210-0393 & ON</p>				

Engine (Cont)



THROTTLE LIMIT SWITCH



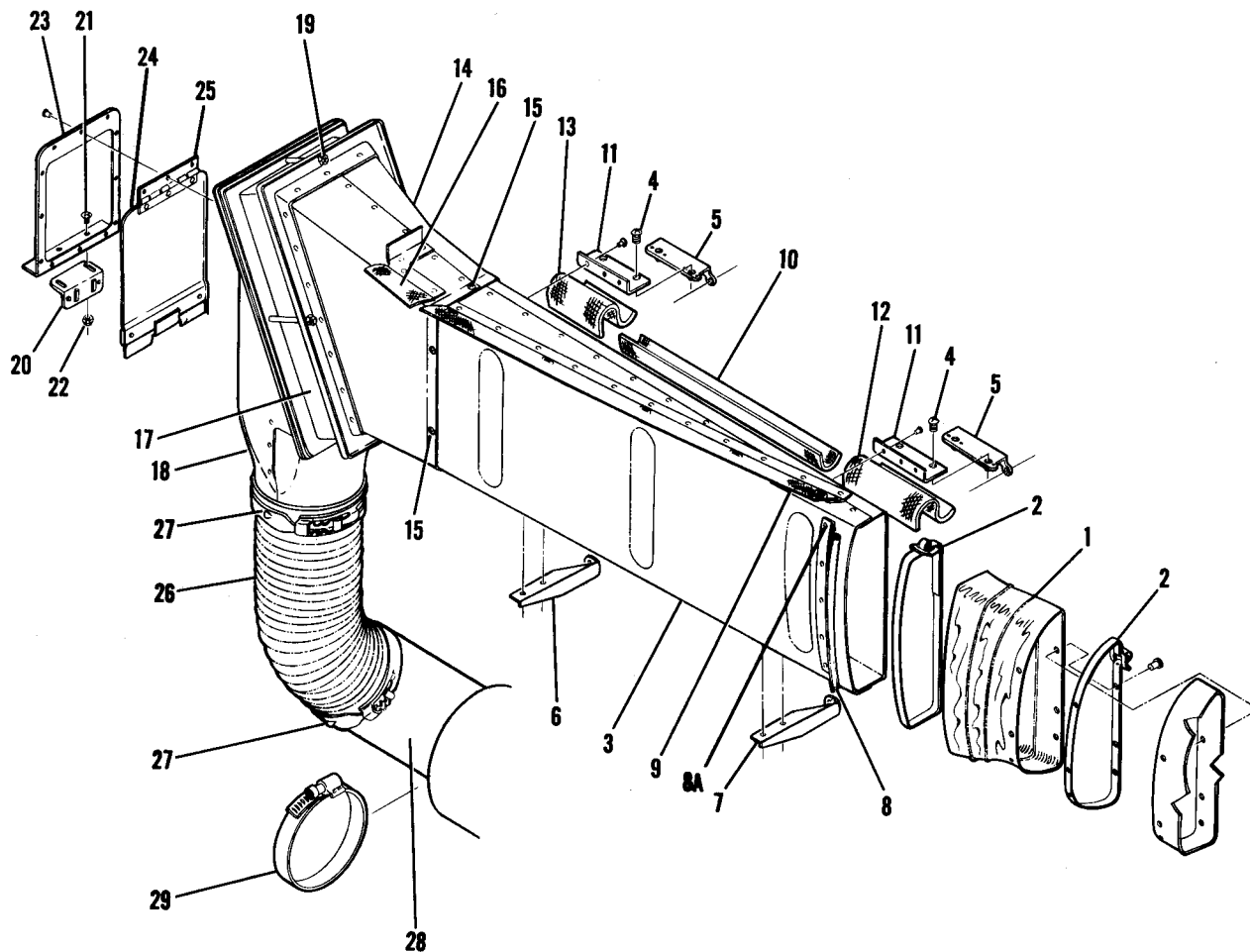
210 SERIAL 21058819 & ON

Figure 77. Induction Air Box Installation

FIGURE AND INDEX NO.	PART NUMBER	DESCRIPTION	UNITS PER ASSY	USABLE ON CODE
77 -	1250717-1 1250717-2	INDUCTION AIR BOX INSTALLATION AIRBOX ASSEMBLY AIRBOX ASSEMBLY ATTACHING PARTS	NP 1 1	A B C
- 1	AN4-6A	BOLT	4	
- 2	1250707-1	DUCT ASSEMBLY-INBOARD	1	
- 3	1250711-1	BRACKET	1	
- 4	1250712-1	SUPPORT-SWITCH	1	
- 5	1250309-1	BUSHING ASSEMBLY	2	
- 6	NAS697A3	NUTPLATE	6	
- 7	1250705-1 NAS697A3	DUCT ASSEMBLY-OUTBOARD LH NUTPLATE	1 4	
- 8	1250716-1	DUCT ASSEMBLY-OUTBOARD RH ATTACHING PARTS	1	
- 9	AN3-4A	BOLT	6	
-10	1250715-1	GASKET	1	
	NAS697A3	NUTPLATE	4	
-11	1250310-1	SPRING	1	
-12	1250718-1 0850500-30	ARM ASSEMBLY ARM ASSEMBLY ATTACHING PARTS	1 1	B C
-13	NAS561P3-10	PIN	1	
-14	1250311-1	SHAFT	1	
-15	1250306-1	DOOR ASSEMBLY ATTACHING PARTS	1	
	AN515-6R10 NAS679A06	SCREW NUT	2 2	
-16	1250713-1	ADAPTER	1	
-17	1250704-1 1250704-3 1250704-2 1250704-5	AIR FILTER-LH WHEN EXHAUSTED USE 1250704-3 AIR FILTER-LH AIR FILTER-RH WHEN EXHAUSTED USE 1250704-5 AIR FILTER-RH ATTACHING PARTS	1 1 1 1	B C B C
-18	AN3-23A	BOLT	4	
-19	1250132-1	RETAINER LH ONLY	1	
-20	124756.06 1250706-1	GASKET-FELT AMA LIMIT SWITCH ASSEMBLY-THROTTLE ATTACHING PARTS	1 1	
-21	AN515-8R6	SCREW	2	
-22	NAS679A06	NUT	2	
-23	USM5B	SWITCH UMX	2	
-24	AAM20	ACTUATOR UMX	2	
-25	1250706-2	BRACKET-SWITCH MOUNTING	1	
-26	AN515-2R12 AN936A2 AN340-2	SCREW WASHER NUT	2 2 2	

A---210 SERIAL 21058819 & ON
 B---210 SERIAL 21058819 THRU 21058936
 C---210 SERIAL 21058937 & ON

Engine (Cont)

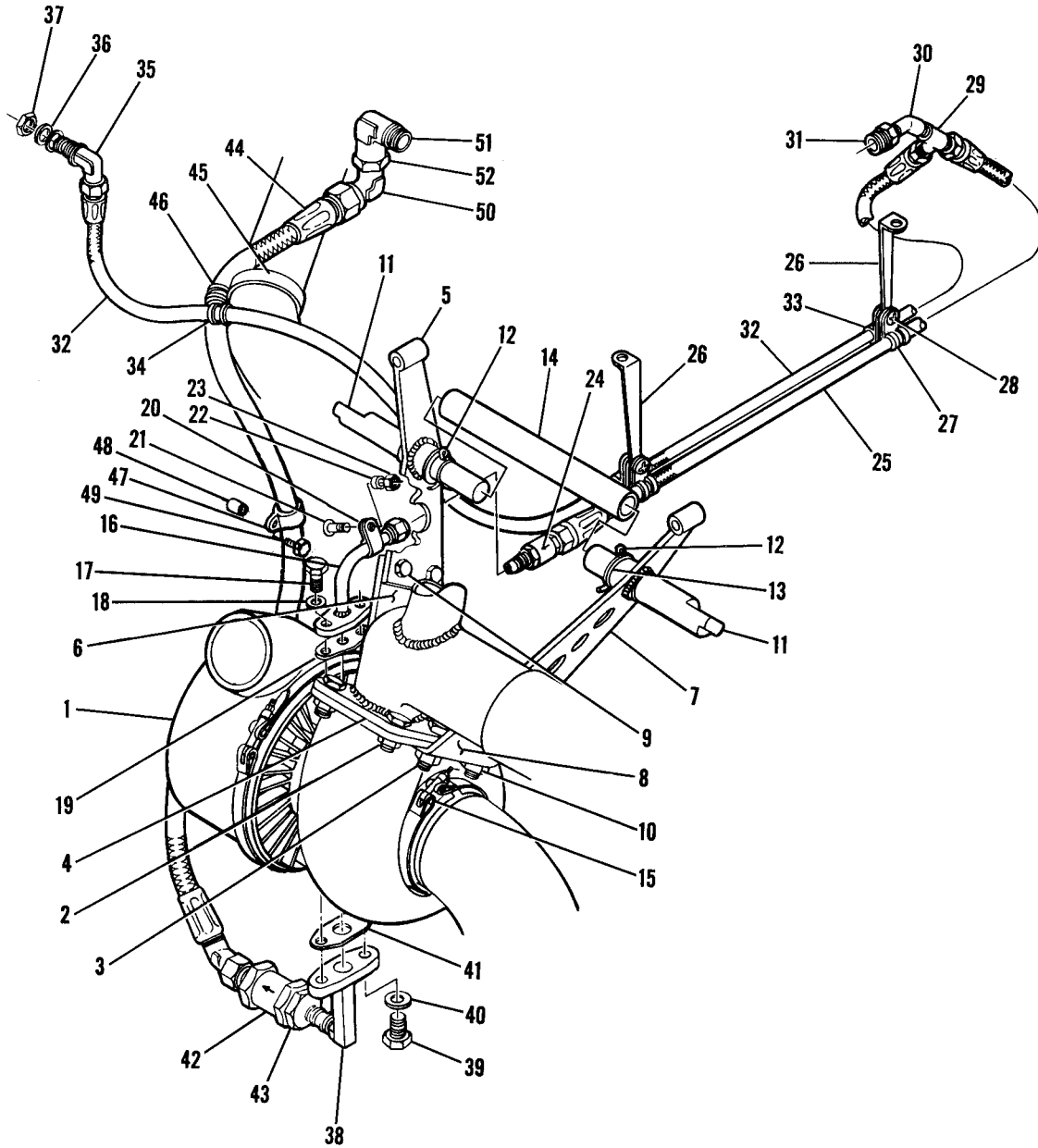


T210 SERIAL T210-0198 & ON

Figure 78. Turbocharger Air Inlet Installation

FIGURE AND INDEX NO.	PART NUMBER	DESCRIPTION	UNITS PER ASSY	USABLE ON CODE
78 -		TURBO CHARGER AIR INLET INSTALLATION -----	NP	A
- 1	1250879-1	DUCT-FLEXIBLE -----	1	
		ATTACHING PARTS -----		
- 2	S1026BG	CLAMP 20.0 IN LG REF S1026BG20.0 -----	2	
		-----*		
- 3	1250830-5	DUCT ASSEMBLY-FORWARD -----	1	
		ATTACHING PARTS -----		
- 4	AN520-10R6	SCREW -----	4	
- 5	1250830-26 NAS697A3	BRACKET ASSEMBLY -----	2	
		NUTPLATE -----	2	
		-----*		
- 6	1250916-1	BRACKET-AFT -----	1	
- 7	1250916-2	BRACKET-FORWARD -----	1	
- 8	1250830-27	SEAL-AIR DUCT FORWARD -----	1	
- 8A	AN960D2L	WASHER -----	5	
- 9	1250847-1	BAFFLE ASSEMBLY -----	1	
	1250847-2	BAFFLE-AIR DUCT -----	1	
	1250847-3	SEAL-BAFFLE -----	1	
-10	1250830-16	SEAL -----	1	
-11	1250830-19	BRACKET -----	2	
-12	1250830-20	SEAL-FORWARD -----	1	
-13	1250830-21	SEAL-AFT -----	1	
-14	1250830-10	DUCT ASSEMBLY-CENTER -----	1	
		ATTACHING PARTS -----		
-15	S1021Z8-8	SCREW -----	4	
		-----*		
-16	1250875-3	SEAL -----	1	
-17	1250846-1	FILTER-AIR INTAKE -----	1	
-18	1250839-1	DUCT ASSEMBLY-AFT -----	1	
		ATTACHING PARTS -----		
-19	AN3-27A	BOLT -----	4	
	AN960D10	WASHER -----	4	
	NAS679A3	NUT -----	4	
		-----*		
-20	1250839-7	CATCH-MAGNETIC -----	1	
		ATTACHING PARTS -----		
-21	AN515-6R7	SCREW -----	2	
-22	NAS679A06	NUT -----	2	
		-----*		
-23	1250839-4	DOUBLER -----	1	
-24	1250839-18	DOOR ASSEMBLY-ALTERNATE AIR -----	1	
-25	1250839-12	HINGE ASSEMBLY -----	1	
-26	S1053E32T	DUCT 6.0 IN LG BULK ITEM REF S1053E32T6.0 -----	1	
		ATTACHING PARTS -----		
-27	NAS398-66	CLAMP -----	2	
		-----*		
-28	1250831-1	ELBOW -----	1	
		ATTACHING PARTS -----		
-29	GS100M64S	CLAMP -----	1	
		-----*		
A---T210 SERIAL T210-0198 & ON				

Engine (Cont)



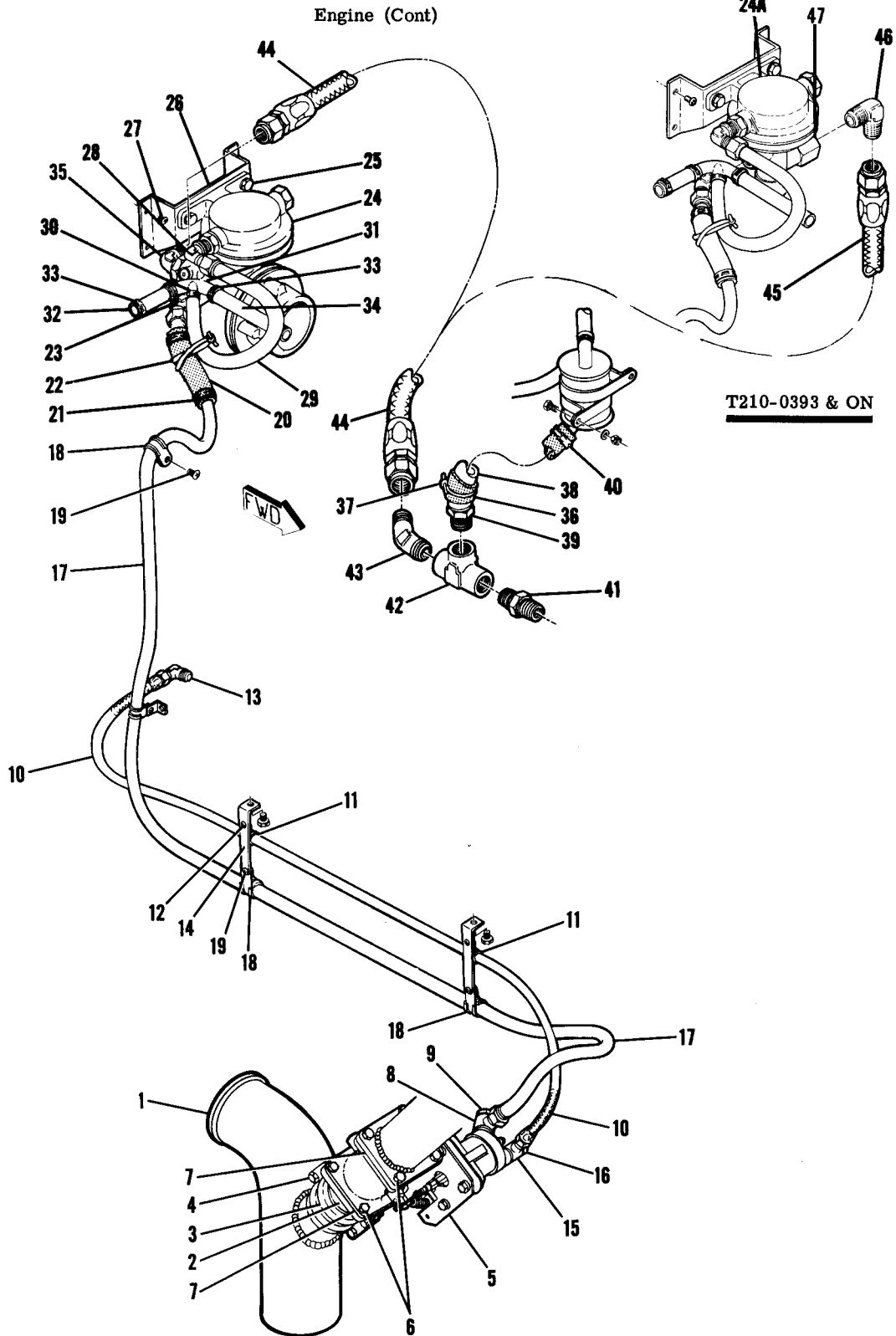
T210 SERIAL T210-0198 & ON

Figure 79. Turbocharger Installation



FIGURE AND INDEX NO.	PART NUMBER	DESCRIPTION	UNITS PER ASSY	USABLE ON CODE
79 -		TURBOCHARGER INSTALLATION -----	NP	A
- 1	C255001-0101	TURBOCHARGER -----	1	
		ATTACHING PARTS -----		
		T210 SERIAL		
		T210-0198 & ON		
- 2	MS20036-5	BOLT -----	3	
	AN960C616L	WASHER -----	4	
	S1604-6	NUT -----	4	
- 3	MS20036-7	BOLT -----	1	
- 4	632884	GASKET CM -----	1	
- 5	1250818-9	SUPPORT ASSEMBLY-REAR UPPER -----	1	
- 6	1250818-200	SUPPORT-REAR LOWER -----	1	
- 7	1250818-10	SUPPORT-ASSEMBLY-FORWARD UPPER -----	1	
- 8	1250818-201	SUPPORT-FORWARD LOWER -----	1	
- 9	AN4C6A	BOLT -----	4	
	AN960C416	WASHER -----	4	
	NAS679A4	NUT -----	4	
-10	1250824-1	BOLT -----	1	
	AN960C616L	WASHER -----	1	
	NAS679C6	NUT -----	1	
-11	1250897-1	SHAFT ASSEMBLY -----	2	
-12	MS24665-214	COTTER PIN -----	2	
-13	AN960C1216	WASHER -----	2	
-14	1250897-3	TUBE -----	1	
		---*---		
-15	U4211-3.75M	CLAMP NUCA -----	1	
	4404-3.75M	CLAMP ALT MDAQ -----	1	
-16	1250815-1	ADAPTER ASSEMBLY-OIL INLET -----	1	
		ATTACHING PARTS -----		
-17	MS20074-03-7	BOLT -----	2	
-18	AN960C616	WASHER -----	2	
-19	1250816-3	GASKET-OIL INLET -----	1	
-20	AN742D4	CLAMP -----	1	
-21	AN520-10R12	SCREW -----	1	
-22	NAS43DD3-14	SPACER -----	1	
-23	NAS679A3	NUT -----	1	
	AN960C10L	WASHER -----	1	
		---*---		
-24	HE646-1	CHECK VALVE HEAC -----	1	
-25	S1236-4-0234	HOSE ASSEMBLY -----	1	
		ATTACHING PARTS -----		
-26	1250402-2	SUPPORT -----	2	
-27	MS21919DG7	CLAMP -----	2	
-28	S1021Z8-10	SCREW -----	2	
		---*---		
-29	1250908-1	TEE -----	1	
-30	AN915-1	ELBOW -----	1	
-31	AN912-3	BUSHING -----	1	
-32	S1236-4-0450	HOSE ASSEMBLY-OIL PRESSURE -----	1	
		ATTACHING PARTS -----		
-33	S1486DG7U	CLAMP -----	2	
-34	MS21919DG7	CLAMP -----	1	
		---*---		
-35	AN833-4D	ELBOW -----	1	
-36	AN960D716	WASHER -----	1	
-37	AN924-4D	NUT -----	1	
-38	1250913-1	ADAPTOR ASSEMBLY-OIL OUTLET -----	1	
		ATTACHING PARTS -----		
-39	MS20074-03-7	BOLT -----	2	
-40	AN960C616	WASHER -----	2	
-41	1250816-2	GASKET-OIL OUTLET -----	1	
		---*---		
-42	3142-00-5	VALVE-CHECK DUKA -----	1	
-43	AN924-8D	NUT -----	1	
	MS28778-8	GASKET -----	1	
-44	S1167-8-0290	HOSE ASSEMBLY -----	1	
		ATTACHING PARTS -----		
-45	AN742D36	CLAMP -----	1	
-46	S1486DG13U	CLAMP -----	1	
	S1021Z10-10	SCREW -----	1	
-47	MS21919DG13	CLAMP -----	1	
-48	NAS43DD3-32	SPACER -----	1	
-49	AN3-20	BOLT -----	1	
		---*---		
-50	MS20822-8D	ELBOW -----	1	
-51	AN914-4D	ELBOW -----	1	
-52	AN912-4D	BUSHING -----	1	

A---T210 SERIAL T210-0198 & ON



T210 SERIAL T210-0198 & ON

Figure 80. Exhaust Valve & Controller Installation



FIGURE AND INDEX NO.	PART NUMBER	DESCRIPTION	UNITS PER ASSY	USABLE ON CODE
		1 2 3 4 5 6 7		
80 -		EXHAUST VALVE & CONTROLLER INSTALLATION -----	NP	A
- 1	1250860-73	TAILPIPE ASSEMBLY-EXHAUST -----	1	
- 2	1250860-78	ADAPTER ASSEMBLY -----	1	
		ATTACHING PARTS -----		
- 3	1250860-28	CLAMP HALF -----	2	
- 4	AN3-4A	BOLT -----	4	
	NAS679A3	NUT -----	4	
		-----*		
- 5	C165006-0101	VALVE ASSEMBLY-EXHAUST BY-PASS -----	1	
	C165006-0101R	VALVE ASSEMBLY-EXHAUST BY-PASS REMANUFACTURED -----	1	
		ATTACHING PARTS -----		
- 6	AN4-10A	BOLT -----	8	
	AN960C416L	WASHER -----	8	
	S1604-4	NUT -----	8	
- 7	1250850-3	PACKING -----	2	
		-----*		
- 8	1250858-3	ELBOW-OUTLET -----	1	
- 9	1250858-4	BOLT-CUTLET -----	1	
	AN901-6A	GASKET -----	2	
	MS28778-6	PACKING -----	1	
-10	S1236-4-0310	HOSE ASSEMBLY -----	1	
		ATTACHING PARTS -----		
-11	S14860G7U	CLAMP -----	2	
-12	S1021Z10-6	SCREW -----	2	
		-----*		
-13	MS20822-4	ELBOW -----	1	
-14	1250402-1	SUPPORT -----	2	
-15	1250858-1	ELBOW-INLET -----	1	
-16	1250858-2	BOLT-INLET -----	1	
	AN901-4A	GASKET -----	2	
	MS28778-4	PACKING -----	1	
-17	S1236-6-0550	HOSE ASSEMBLY -----	1	
		ATTACHING PARTS -----		
-18	S14860G11U	CLAMP -----	3	
-19	S1021Z10-8	SCREW -----	3	
		-----*		
-20	S1127-6	SLEEVE-FIRE 7.00 IN LG BULK ITEM REF S1127-6-7.00 -----	1	
-21	NAS397-14	CLAMP -----	2	
-22	S1614-1	LACING BULK ITEM -----	AR	
-23	AN837-6D	ELBOW -----	1	
	AN924-6D	NUT -----	1	
	MS28778-4	PACKING -----	1	
-24	C165004-0101	CONTROLLER ASSEMBLY-EXHAUST VALVE -----	1	B
	C165004-0101R	CONTROLLER ASSEMBLY-EXHAUST VALVE REMFD -----	1	B
-24A	C165004-0501	CONTROLLER ASSEMBLY-EXHAUST VALVE -----	1	C
	C165004-0501R	CONTROLLER ASSEMBLY-EXHAUST VALVE REMFD -----	1	C
		ATTACHING PARTS -----		
-25	AN5-6A	BOLT -----	2	
	NAS679A5	NUT -----	2	
	AN960-516	WASHER -----	2	
		-----*		
-26	1250865-1	BRACKET-CONTROLLER -----	1	
		ATTACHING PARTS -----		
-27	AN515-8R6	SCREW -----	4	
		-----*		
-28	AN833-6D	ELBOW -----	1	
	AN924-6D	NUT -----	1	
	MS28778-6	PACKING -----	1	

CONTINUED ON NEXT PAGE

FIGURE AND INDEX NO.	PART NUMBER	DESCRIPTION	UNITS PER ASSY	USABLE ON CODE
80 -29	S1495-6	HOSE 14 IN LG BULK ITEM REF S1499-6-14.00 -----	1	
	S1497-6	FITTING-SOCKETLESS -----	1	
-30	NAS397-10	CLAMP -----	2	
-31	1250889-1	ELBOW -----	1	
-32	S1495-8	HOSE 2.50 IN LG BULK ITEM REF S1495-8-2.50 -----	1	
-33	NAS397-12	CLAMP -----	3	
-34	S1495-8	HOSE 3.75 IN LG BULK ITEM REF S1495-8-3.75 -----	1	
-35	AN921-8D	ELBOW -----	1	
	AN924-8D	NUT -----	1	
	MS28778-8	PACKING -----	1	
-36	S1127-8	SLEEVE-FIRE 5.00 IN LG BULK ITEM REF S1127-8-5.00 -----	1	
-37	S1614-1	LACING BULK ITEM -----	AR	
-38	S1495-8	HOSE 12.25 IN LG BULK ITEM REF S1499-8E12.25 -----	1	
-39	S1496-8	FITTING-SOCKETLESS -----	1	
-40	NAS397-2	CLAMP -----	1	
-41	AN911-3	NIPPLE -----	1	
-42	AN917-3	TEE -----	1	
-43	MS20823-8	ELBOW -----	1	
-44	S1236-8-13.50	HOSE ASSEMBLY USED WITH VACUUM SYSTEM -----	1	
	S1236-8-*	HOSE ASSEMBLY NOT USED WITH VACUUM SYSTEM -----	1	
-45	S1236-8-*	HOSE ASSEMBLY USED WITH VACUUM SYSTEM -----	1	C
	S1236-8-	HOSE ASSEMBLY USED WITHOUT VACUUM SYSTEM -----	1	C
		ATTACHING PARTS		
-46	AN821-8D	ELBOW -----	1	C
-47	AN89408-6	BUSHING -----	1	C
		---*---		

NOTE. *LENGTH TO BE DETERMINED LATER

A---T210 SERIAL T210-0198 & ON
 B---T210 SERIAL T210-0198 THRU T210-0392
 C---T210 SERIAL T210-0393 & ON

This page intentionally left blank.

Engine (Cont)

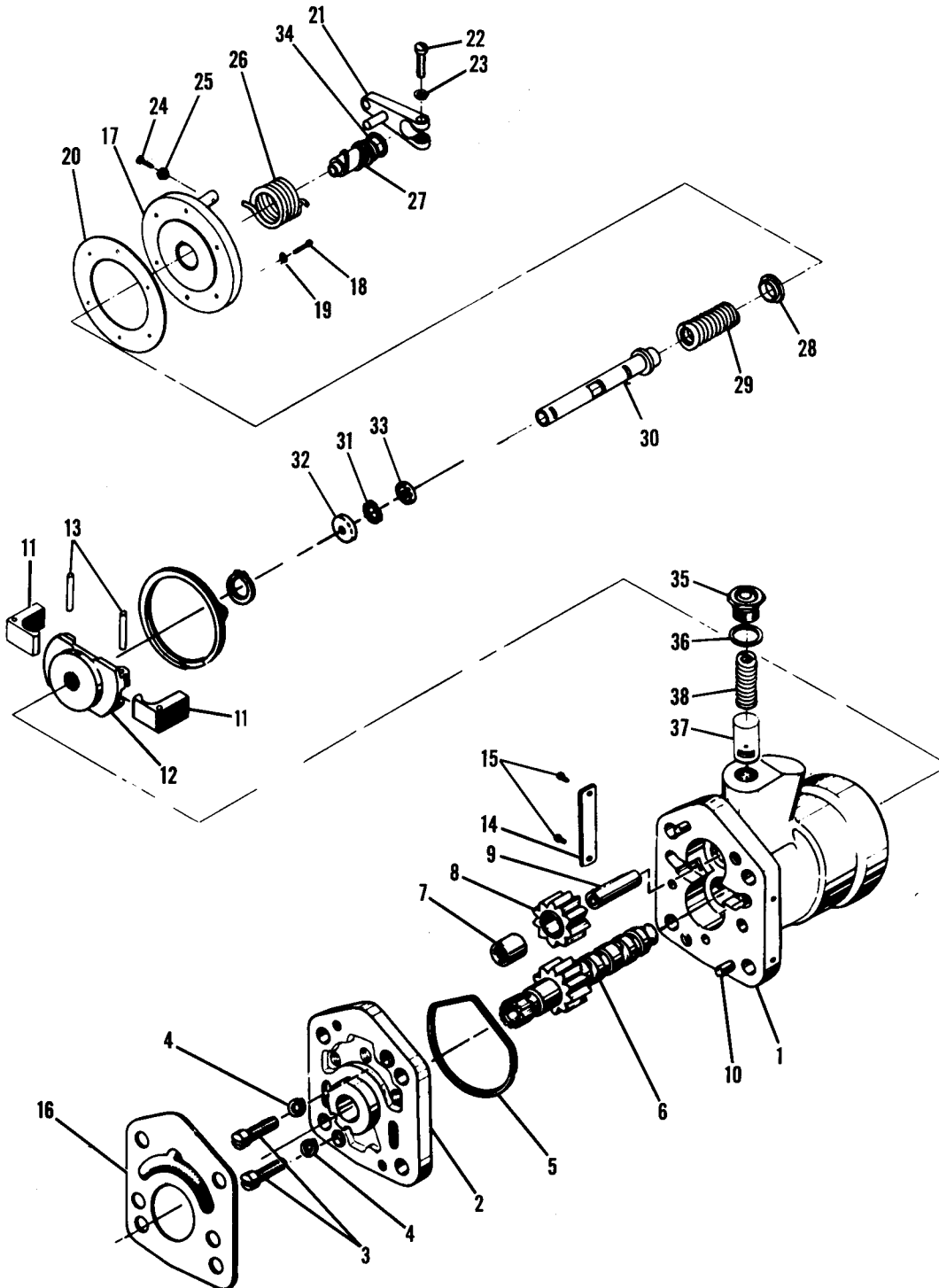
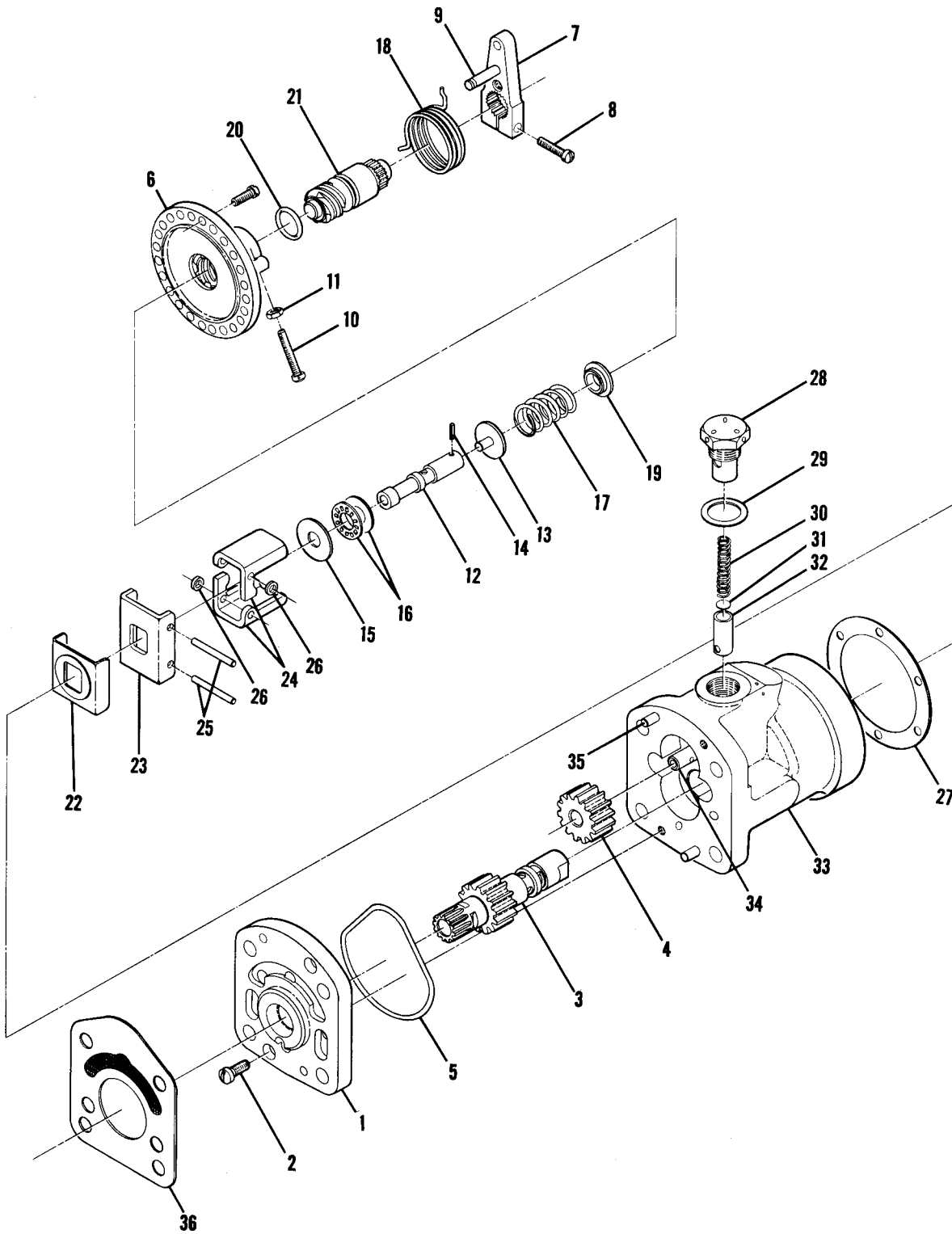


Figure 81. Propeller Governor Assembly-Woodward

FIGURE AND INDEX NO.	PART NUMBER	DESCRIPTION	UNITS PER ASSY	USABLE ON CODE
		1 2 3 4 5 6 7		
81 -	0750101-68	PROPELLER GOVERNOR ASSEMBLY-WOODWARD D210452 -----	1	A
	0750101-71	PROPELLER GOVERNOR ASSEMBLY-WOODWARD G210452 -----	1	B
	SEE FIG 82	PROPELLER GOVERNOR ASSEMBLY MCCAULEY ALTERNATE -----	1	B
- 1	210253	BODY-GOVERNOR WGV -----	1	
- 2	213214	BASE-GOVERNOR WGV -----	1	
		ATTACHING PARTS		
- 3	189744	SCREW WGV -----	2	
- 4	218547	WASHER WGV -----	2	
- 5	2C6336	GASKET-BASE WGV -----	1	
		*-----		
- 6	210396	GEAR-PUMP DRIVE WGV -----	1	
- 7	210036	BEARING-NEEDLE WGV -----	1	
- 8	204864	GEAR-PUMP IDLER WGV -----	1	
- 9	210031	STUD-IDLER GEAR WGV -----	1	
-10	210261	PIN-DOWEL WGV -----	2	
	210382	HEAD ASSEMBLY-FLYWEIGHT WGV -----	1	
-11	196195	FLYWEIGHT -----	2	
-12	210393	HEAD-FLYWEIGHT -----	1	
	210394	KEEPER -----	1	
-13	214202	PIN-FLYWEIGHT -----	2	
-14	193385	NAMEPLATE WGV -----	1	
		ATTACHING PARTS		
-15	189574	SCREW -----	2	
		*-----		
-16	MS100009	GASKET-MOUNTING -----	1	
-17	210399	COVER-GOVERNOR WGV -----	1	
		ATTACHING PARTS		
-18	189482	SCREW WGV -----	6	
-19	189739	WASHER WGV -----	6	
-20	206337	GASKET-COVER WGV -----	1	
		*-----		
-21	210039	LEVER ASSEMBLY-SPEED ADJUSTMENT WGV -----	1	
		ATTACHING PARTS		
-22	188434	SCREW WGV -----	1	
-23	188141	WASHER WGV -----	1	
		*-----		
-24	218537	SCREW-STOP WGV -----	1	
-25	188302	NUT WGV -----	1	
-26	191869	SPRING-LEVER RETURN MGW -----	1	
-27	213232	SEAT-SPEED ADJUSTMENT MGW -----	1	
-28	210326	SEAT-SPEEDER SPRING MGW -----	1	
-29	192709	SPRING-SPEEDER MGW -----	1	
-30	210398	PLUNGER ASSEMBLY-PILOT VALVE WGV -----	1	
-31	180231	BEARING-PILOT VALVE WGV -----	1	
-32	213200	RACE-PILOT VALVE BEARING LOWER WGV -----	1	
-33	210216	RACE-PILOT VALVE BEARING UPPER WGV -----	1	
-34	182747	O-RING WGV -----	1	
-35	218446	PLUG-RELIEF VALVE WGV -----	1	
-36	186320	GASKET WGV -----	1	
-37	210257	PLUNGER-RELIEF VALVE WGV -----	1	
-38	192558	SPRING-RELIEF VALVE WGV -----	1	

A---210 SERIAL 2108819 & ON
 B---T210 SERIAL T210-0198 & ON

Engine (Cont)

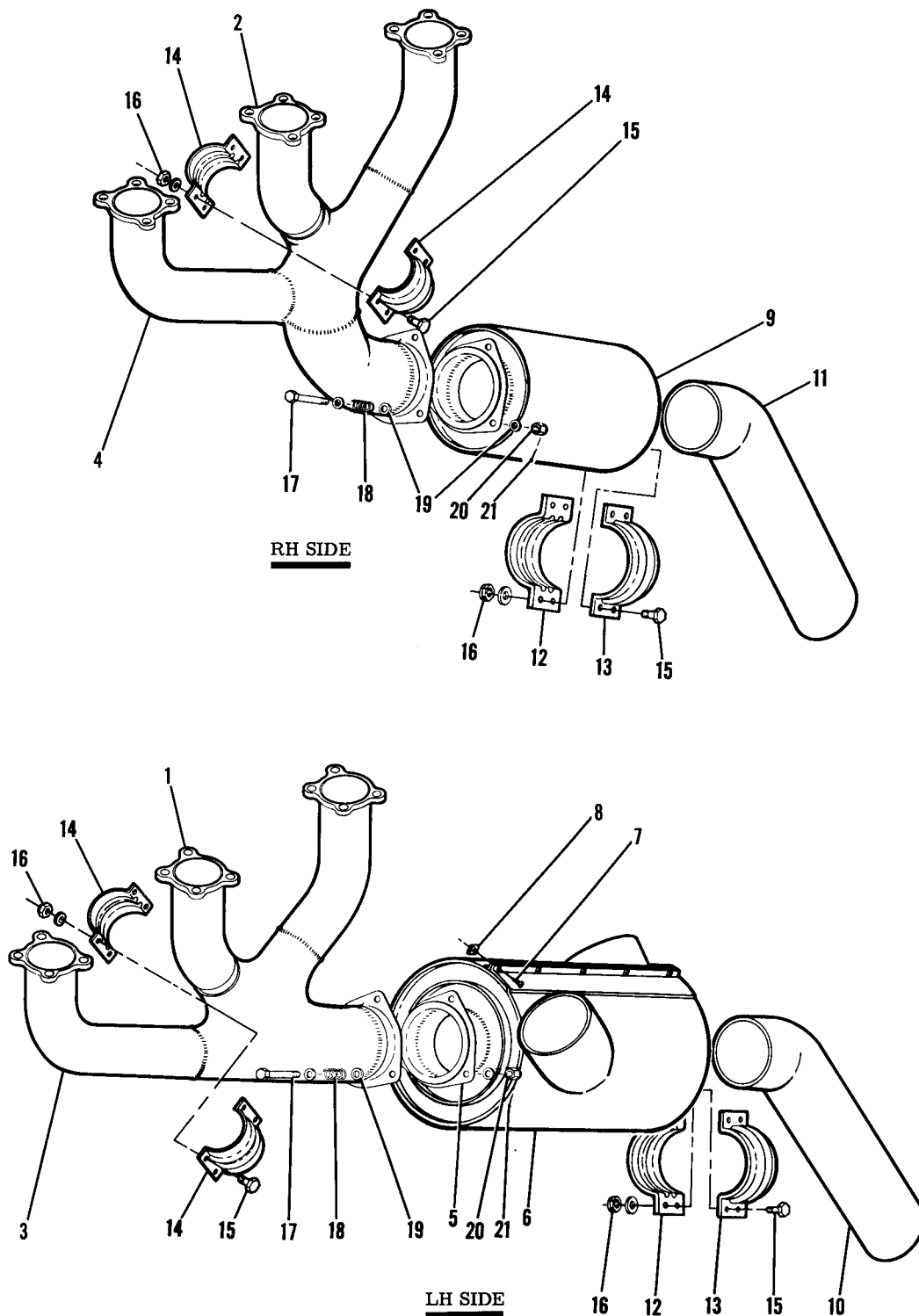


T210 SERIAL T210-0198 & ON

Figure 82. Propeller Governor Assembly-McCauley (Alternate)

FIGURE AND INDEX NO.	PART NUMBER	DESCRIPTION	UNITS PER ASSY	USABLE ON CODE
82 -	C161030-0103	PROPELLER GOVERNOR ASSEMBLY MCCAULEY ALTERNATE -----	1	A
- 1	C20057	COVER-PUMP HOUSING -----	1	
		ATTACHING PARTS -----		
- 2	AN500A10-8	SCREW -----	2	
		-----*		
- 3	C20073	GEAR-DRIVE -----	1	
- 4	B20074	GEAR-IDLER -----	1	
- 5	A1633-36	O-RING -----	1	
	B20085-2	HEAD ASSEMBLY-CONTROL -----	1	
		ATTACHING PARTS -----		
	AN503-8-8	SCREW -----	6	
		-----*		
- 6	B20055	HOUSING ASSEMBLY-COVER -----	1	
- 7	A20039	LEVER ASSEMBLY-CONTROL -----	1	
		ATTACHING PARTS -----		
- 8	AN503-8-12	SCREW -----	1	
		-----*		
- 9	A20034	PIN-TORSION SPRING -----	1	
-10	AN503-8-16	SCREW -----	2	
-11	AN340-8	NUT -----	2	
	A20083	PILOT SPOOL & END FITTING ASSEMBLY -----	1	
-12	B20066	SPOOL-PILOT -----	1	
-13	A20067	END FITTING-SPCOL -----	1	
		ATTACHING PARTS -----		
-14	A20037	ROLL PIN -----	1	
		-----*		
-15	A20071	RACE-BEARING -----	1	
-16	A20086	BEARING-THRUST -----	1	
-17	A20069-1	SPRING-SPEEDER -----	1	
-18	B20040	SPRING-TORSIONAL -----	1	
-19	A20068	SEAT-SPRING -----	1	
-20	MS28775-113	O-RING -----	1	
-21	C20075	SHAFT-CONTROL -----	1	
	A20084	DRIVE DISC & FLYWEIGHT ASSEMBLY -----	1	
-22	B20060	CAP-DRIVE DISC -----	1	
-23	A20063	DISC-DRIVE -----	1	
-24	A20064	FLYWEIGHT -----	2	
		ATTACHING PARTS -----		
-25	A20070	PIN-FLYWEIGHT -----	2	
-26	A20072	SPACER-FLYWEIGHT -----	2	
		-----*		
-27	A20022	GASKET-COVER -----	1	
-28	A20076	PLUG-RELIEF VALVE -----	1	
-29	A20078	WASHER -----	1	
-30	A20079	SPRING-PRESSURE RELIEF -----	1	
-31	A20081	SHIM-PRESSURE RELIEF -----	AR	
-32	B20077	PISTON -----	1	
-33	B20082	BODY ASSEMBLY-GOVERNOR -----	1	
-34	A20026	STUD-IDLER GEAR -----	1	
-35	A20027	PIN-DOWEL -----	2	
-36	MS100009	GASKET-MOUNTING -----	1	
A---T210 SERIAL T210-0198 & ON				

Engine (Cont)



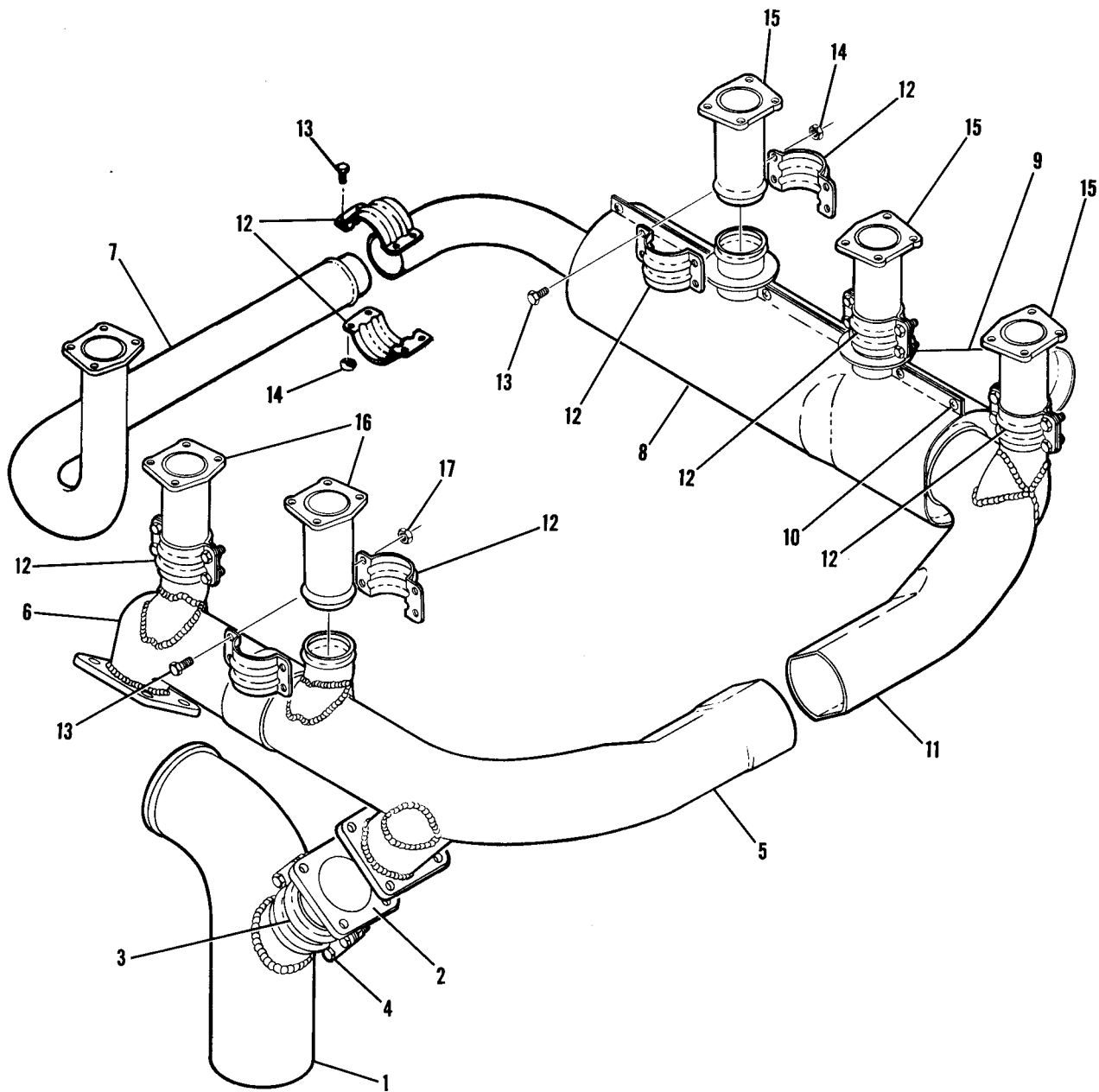
210 SERIAL 21058819 & ON

Figure 83. Exhaust Stack Assembly



FIGURE AND INDEX NO.	PART NUMBER	DESCRIPTION	UNITS PER ASSY	USABLE ON CODE
		1 2 3 4 5 6 7		
83 -	1250256-1	EXHAUST STACK ASSEMBLY-LH -----	1	A
	1250257-9	EXHAUST STACK ASSEMBLY-RH -----	1	
- 1	1250250-7	STACK ASSEMBLY-CENTER UPPER LH -----	1	
- 2	1250251-9	STACK ASSEMBLY-CENTER UPPER RH -----	1	
- 3	1250256-3	COLLECTOR ASSEMBLY-LH -----	1	
- 4	1250257-3	COLLECTOR ASSEMBLY-RH -----	1	
	1250250-2	MUFFLER ASSEMBLY-LH -----	1	
- 5	1250250-5	CORE ASSEMBLY-MUFFLER LH -----	1	
- 6	1250250-6	SHROUD ASSEMBLY-MUFFLER LH -----	1	
		ATTACHING PARTS		
- 7	AN515-8-8	SCREW -----	5	
- 8	A6052-832-3	NUT TIN -----	5	
		-----*		
- 9	1250251-12	MUFFLER-RH -----	1	
-10	1250256-7	TAILPIPE ASSEMBLY-LH -----	1	
-11	1250257-7	TAILPIPE ASSEMBLY-RH -----	1	
-12	1250201-8	CLAMP -----	2	
-13	1250201-14	CLAMP -----	2	
-14	1250201-12	CLAMP -----	4	
		ATTACHING PARTS		
-15	AN3-4A	BOLT -----	2	
-16	NAS679A3	NUT -----	2	
		-----*		
-17	AN3-15	BOLT -----	6	
-18	1250250-30	SPRING -----	6	
-19	AN960-10	WASHER -----	18	
-20	AN310-3	NUT -----	6	
-21	MS24665-134	PIN-COTTER -----	6	
		 A---210 SERIAL 21058819 & ON		

Engine (Cont)

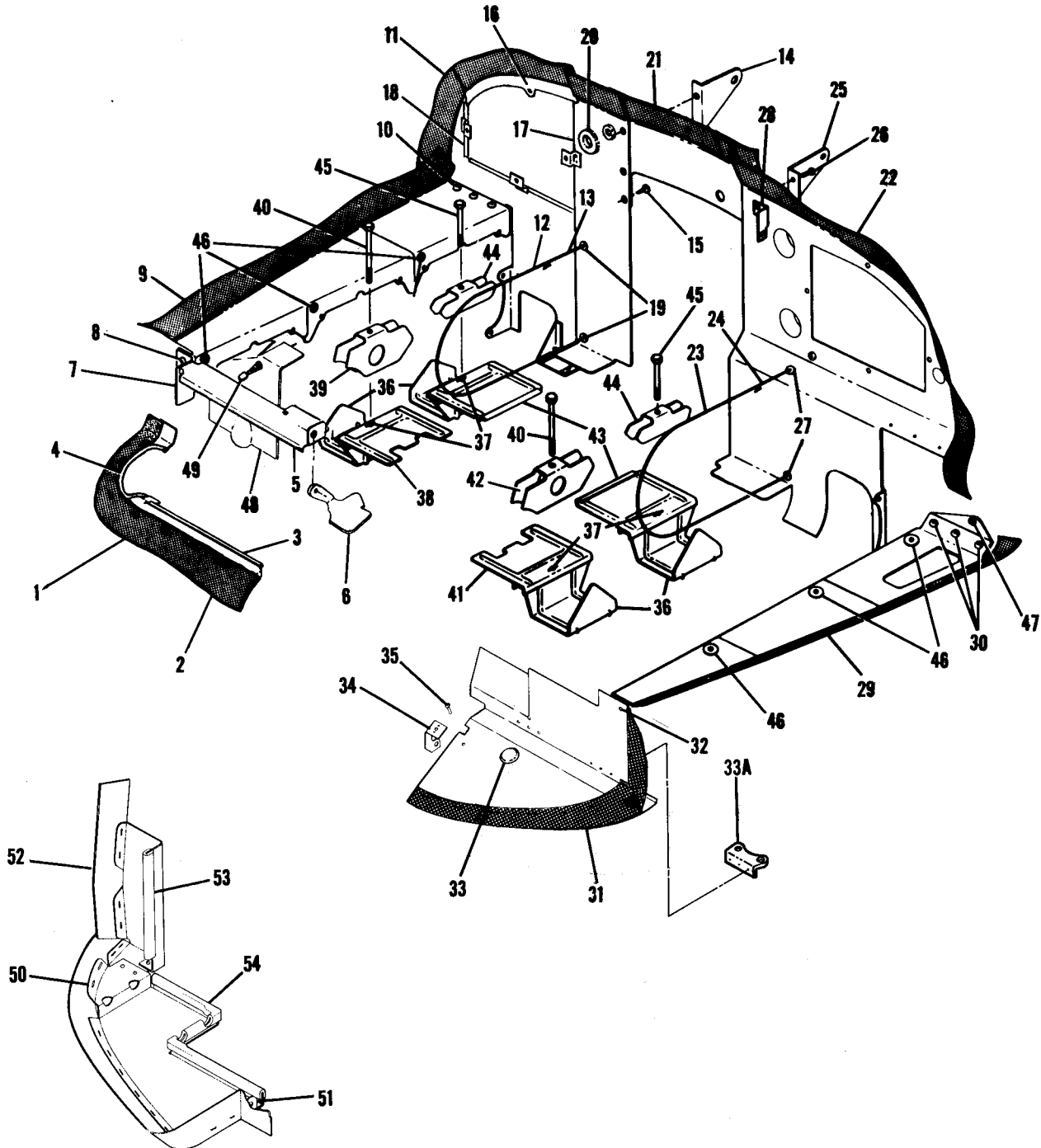


T210 SERIAL T210-0198 & ON

Figure 84. Exhaust System Components

FIGURE AND INDEX NO.	PART NUMBER	DESCRIPTION	UNITS PER ASSY	USABLE ON CODE
84 -		1 2 3 4 5 6 7		
- 1	1250860-73	EXHAUST SYSTEM COMPONENTS -----	NP	A
- 2	1250860-78	TAILPIPE ASSEMBLY -----	1	
- 3	1250860-28	ADAPTER ASSEMBLY-BY PASS ----- T210 SERIAL -----	1	
		CLAMP HALF -----	2	
		ATTACHING PARTS		
- 4	AN3-4A	BOLT ----- T210-0198 & ON -----	4	
	NAS679A3	NUT -----	4	
		-----*		
- 5	1250860-72	EXHAUST STACK ASSEMBLY-FRONT RIGHT -----	1	B
	1250860-80	EXHAUST STACK ASSEMBLY-FRONT RIGHT -----	1	C
- 6	1250860-4	EXHAUST STACK ASSEMBLY-TURBO INLET -----	1	
- 7	1250860-90	EXHAUST STACK ASSEMBLY-NO. 1 CYLINDER -----	1	
- 8	1250860-64	SHROUD ASSEMBLY-INBOARD -----	1	
- 9	1250860-65	SHROUD ASSEMBLY-OUTBOARD -----	1	
		ATTACHING PARTS		
-10	AN515-8-8	SCREW -----	12	
	A6052-832-3	NUT TIN -----	12	
		-----*		
-11	1250860-201	EXHAUST STACK ASSEMBLY-LEFT SIDE -----	1	B
	1250860-203	EXHAUST STACK ASSEMBLY-LEFT SIDE -----	1	C
-12	1250860-29	CLAMP HALF -----	12	
		ATTACHING PARTS		
-13	AN3-4A	BOLT -----	4	
-14	NAS679A3	NUT -----	4	
		-----*		
-15	1250860-12	RISER ASSEMBLY -----	3	
-16	1250860-12	RISER ASSEMBLY -----	2	
		-----*		
		NOTE. WHEN ORDERING PARTS MARKED * ALSO ORDER 1250818-200 & 1250818-201 SUPPORTS FROM FIGURE 79 REFER TO SERVICE MANUAL FOR INSTALLATION		
		A---T210 SERIAL T210-0198 & ON		
		B---T210 SERIAL T210-0198 THRU T210-0307		
		C---T210 SERIAL T210-0308 & ON		

Engine (Cont)



21058937 & ON

210 SERIAL 21058819 & ON

Figure 85. Engine Baffles Installation

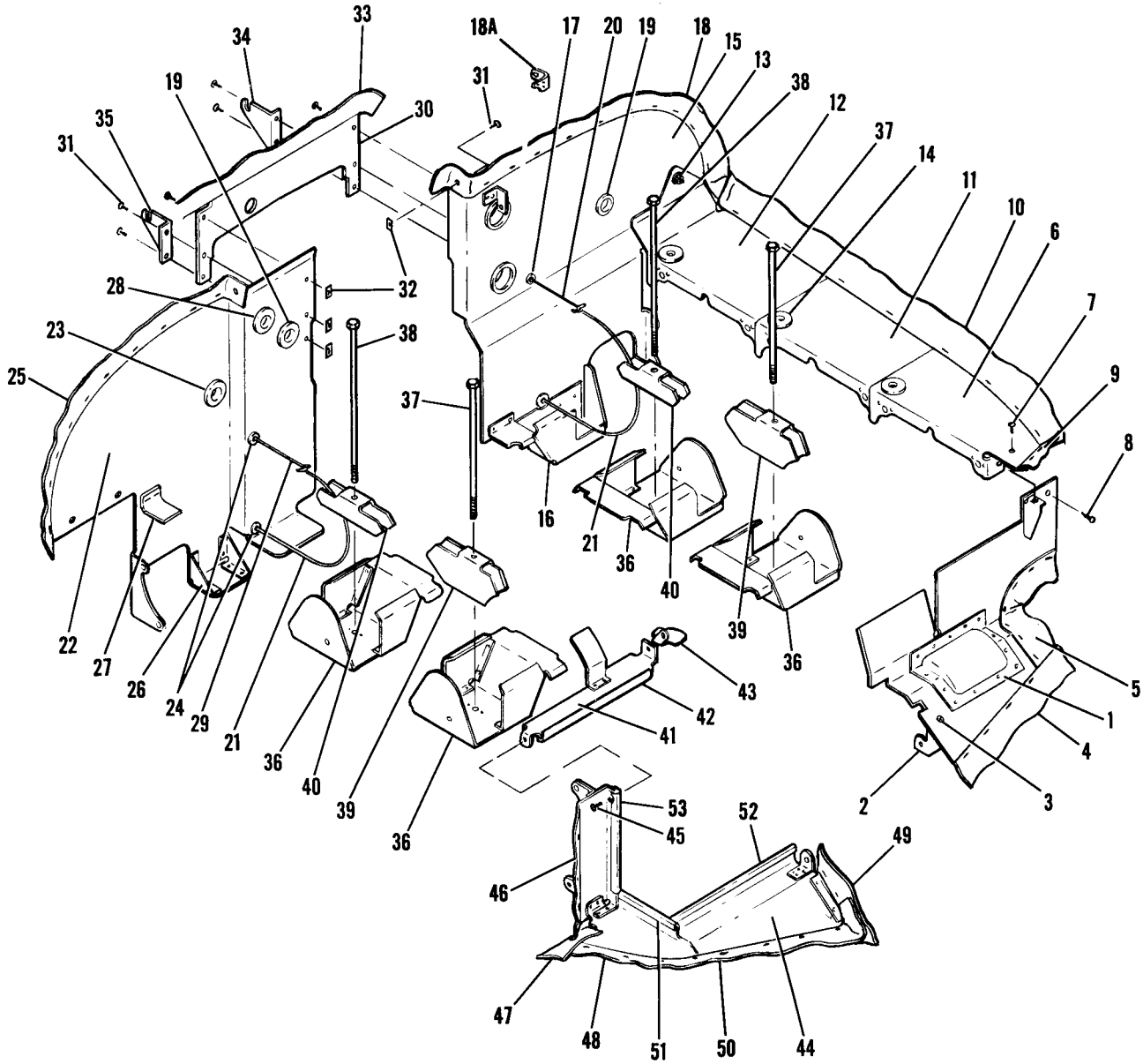


FIGURE AND INDEX NO.	PART NUMBER	DESCRIPTION	UNITS PER ASSY	USABLE ON CODE
85 -		ENGINE BAFFLES INSTALLATION -----	NP	A
- 1	0700309-7	BAFFLE ASSEMBLY-OIL COOLER -----	1	B
- 2	0700309-6	SEAL -----	1	
- 3	0411875-25	MOULDING -----	1	
- 4	S202RB	MOULDING 8.28 IN LG BULK ITEM REF S202R08.28B -----	1	
- 5	0700309-2	BAFFLE ASSEMBLY -----	1	
- 6	0750152-4	BAFFLE-OIL COOLER INBD -----	1	
- 7	0700309-3	BRACKET -----	1	
		ATTACHING PARTS -----		
- 8	S1021Z6-6	SCREW -----	1	
		*-----		
- 9	1250100-8	BAFFLE ASSEMBLY-RH -----	1	
		ATTACHING PARTS -----		
-10	S1021Z6-6	SCREW -----	3	
	NAS446-2-3	NUT -----	3	
		*-----		
-11	1250100-23	BAFFLE ASSEMBLY-REAR RH -----	1	
		ATTACHING PARTS -----		
-12	0450277-9	FASTENER -----	1	
-13	0450277-3	FASTENER -----	1	
-14	1250105-2	SUPPORT-BAFFLE RH -----	1	
-15	S1021Z6-6	SCREW -----	4	
	NAS446-2-3	NUT -----	4	
		*-----		
-16	1250719-1	STRAP ASSEMBLY-AIR FILTER -----	1	
		ATTACHING PARTS -----		
	S1021Z6-6	SCREW -----	2	
	NAS446-2-3	NUT -----	2	
		*-----		
-17	S1055-1	CHANNEL 5.50 IN LG BULK ITEM REF S1055-1-5.50 -----	1	
-18	S1055-1	CHANNEL 13.0 IN LG BULK ITEM REF S1055-1-13.0 -----	1	
-19	MS20230820	GROMMET -----	2	
-20	MS35489-5	GROMMET -----	1	
-21	1250100-12	BAFFLE ASSEMBLY-REAR CENTER -----	1	
-22	1250100-27	BAFFLE ASSEMBLY-REAR LH -----	1	
		ATTACHING PARTS -----		
-23	0450277-9	FASTENER -----	1	
-24	0450277-6	FASTENER -----	1	
-25	1250105-1	SUPPORT-BAFFLE LH -----	1	
-26	S1021Z6-6	SCREW -----	4	
	NAS446-2-3	NUT -----	4	
		*-----		
-27	MS20230820	GROMMET -----	2	
-28	1250106-1	CLIP -----	1	
-28A	1250138-1	BRACKET-FUEL DRAIN -----	1	
-29	1250100-15	BAFFLE ASSEMBLY-LH -----	1	
		ATTACHING PARTS -----		
-30	S1021Z6-6	SCREW -----	3	
	NAS446-2-3	NUT -----	3	
		*-----		
-31	1250137-1	BAFFLE ASSEMBLY-FORWARD LH -----	1	
		ATTACHING PARTS -----		
-32	S1021Z6-6	SCREW -----	2	
	NAS446-2-3	NUT -----	2	
		*-----		
	1250137-2	SEAL-LOWER -----	1	
	1250137-3	SEAL-SIDE -----	1	
-33	CM2692-24-1H	PLUG BUTTON -----	1	
-33A	1250903-1	BRACKET-BAFFLE SUPPORT -----	1	
-34	1250135-1	BRACKET ASSEMBLY -----	1	
		ATTACHING PARTS -----		
-35	AN515-8R8	SCREW -----	1	
		*-----		
	NAS697A08	NUTPLATE -----	1	
CONTINUED ON NEXT PAGE				

FIGURE AND INDEX NO.	PART NUMBER	DESCRIPTION	UNITS PER ASSY	USABLE ON CODE
85 -36	0750135-1	BAFFLE ASSEMBLY-INTER CYLINDER -----	4	
-37	NAS686A3	NUTPLATE -----	1	
-38	C750135-3	BAFFLE-FORWARD RH INTER CYLINDER -----	1	
		ATTACHING PARTS		
-39	0851700-96	SUPPORT -----	1	
-40	AN3-71A	BOLT -----	1	
		---*---		
-41	0750135-3	BAFFLE-FORWARD LH INTER CYLINDER -----	1	
		ATTACHING PARTS		
-42	0851700-96	SUPPORT -----	1	
	AN3-71A	BOLT -----	1	
		---*---		
-43	0750135-4	BAFFLE-REAR INTER CYLINDER -----	2	
		ATTACHING PARTS		
-44	C750117-31	SUPPORT -----	1	
-45	AN3-62A	BOLT -----	1	
		---*---		
-46	MS35489-12	GROMMET -----	6	
-47	MS35489-6	GROMMET -----	1	
-48	1250134-1	BAFFLE-NO. 5 CYLINDER -----	1	
-49	C450277-10	FASTENER-BAFFLE -----	1	
	1255000-1	BAFFLE ASSEMBLY-OIL COOLER -----	1	C
-50	1255000-2	SEAL-BAFFLE -----	1	
-51	0851700-98	TAB -----	1	
-52	C700318-7	SEAL-BAFFLE -----	1	
-53	S202R	CHANNEL 5.00 IN LG BULK ITEM REF S202R05.00B -----	1	
-54	S202R	CHANNEL 11.80 IN LG BULK ITEM REF S202R11.80B -----	1	
		A---210 SERIAL 21058819 & ON		
		B---210 SERIAL 21058819 THRU 21058936		
		C---210 SERIAL 21058937 & ON		

This page intentionally left blank.

Engine (Cont)



T210 SERIAL T210-0198 & ON

Figure 86. Engine Baffles Installation

FIGURE AND INDEX NO.	PART NUMBER	DESCRIPTION	UNITS PER ASSY							USABLE ON CODE
			1	2	3	4	5	6	7	
86 -		ENGINE Baffles Installation							NP	A
- 1	1250868-1	BAFFLE ASSEMBLY-LH FRONT							1	
- 2	1250135-1	BRACKET ASSEMBLY							1	
- 3	AN515-8RB	ATTACHING PARTS							1	
		SCREW							1	
		NUTPLATE							1	
	NAS697A08	SEAL							1	
- 4	1250868-2	SEAL							1	
- 5	1250868-3	SEAL							1	
	1250829-6	BAFFLE ASSEMBLY-LH							1	
- 6	1250869-1	BAFFLE-HORIZONTAL FORWARD							1	
		ATTACHING PARTS								
- 7	AN520-8R5	SCREW							1	
- 8	S1021Z6-6	SCREW							1	
	NAS446-2-3	NUT							1	
		SEAL							1	
- 9	1250829-8	SEAL							1	
-10	1250829-7	SEAL							1	
-11	1250870-1	BAFFLE ASSEMBLY-HORIZONTAL CENTER							1	
-12	1250871-1	BAFFLE ASSEMBLY-HORIZONTAL AFT							1	
		ATTACHING PARTS								
-13	AN3-5A	BOLT							1	
	NAS43DD3-12	SPACER							1	
	AN960-10L	WASHER							1	
	NAS679A3	NUT							1	
		GROMMET							3	
-14	MS35489-12	BAFFLE ASSEMBLY-LH REAR VERTICAL							1	
-15	1250829-13	BAFFLE ASSEMBLY-REAR CYLINDER							1	
-16	1250827-1	GROMMET							2	
-17	MS20230B20	SEAL							1	
-18	1250100-5	BRACKET-STRAINER DRAIN CONTROL							1	B
	1250138-1	GROMMET							2	
-19	MS35489-12	FASTENER							1	
-20	0450277-6	FASTENER							2	
-21	0450277-9	FASTENER							1	
-22	1250829-12	BAFFLE ASSEMBLY-RH REAR VERTICAL							1	
-23	MS35489-5	GROMMET							1	
-24	MS20230B20	GROMMET							2	
-25	1250100-3	SEAL							1	
-26	0750128-11	BRACKET							1	
-27	1250829-9	SEAL-BAFFLE							1	
-28	MS35489-20	GROMMET							1	
-29	0450277-3	FASTENER							1	
-30	1250829-11	BAFFLE-REAR CENTER							1	
		ATTACHING PARTS								
-31	S1021Z6-6	SCREW							8	
-32	NAS446-2-3	NUT							8	
		SEAL							1	
-33	1250100-4	SUPPORT-BAFFLE LH							1	
-34	1250105-1	SUPPORT-BAFFLE RH							1	
-35	1250105-2	BAFFLE-INTER CYLINDER							4	
-36	1250828	ATTACHING PARTS								
-37	1250825-1	BOLT FORWARD							2	
-38	AN3-77A	BOLT AFT							2	
-39	0851700-96	SUPPORT FORWARD							2	
-40	0750117-31	SUPPORT AFT							2	
		BAFFLE ASSEMBLY							1	
-41	1250888-1	MOULDING 7.30 IN LG BULK ITEM REF S202R0730B							1	
-42	S202RB	BAFFLE							1	
-43	0750152-3	BAFFLE ASSEMBLY-OIL COOLER							1	
-44	1250881-7	ATTACHING PARTS								
		SCREW							1	
-45	S1021Z6-6	NUT							1	
	NAS446-2-3	SEAL							1	
-46	1250881-4	SEAL							1	
-47	1250881-3	SEAL							1	
-48	1250881-2	SEAL							1	
-49	1250881-5	SEAL							1	
-50	1280881-8	SEAL							1	
-51	S202RB	MOULDING 3.52 IN LG BULK ITEM REF S202R0350B							1	
-52	S202RB	MOULDING 7.87 IN LG BULK ITEM REF S202R0787B							1	
-53	S202RB	MOULDING 5.65 IN LG BULK ITEM REF S202R0565B							1	

A---T210 SERIAL T210-0198 & ON
 B---T210 SERIAL T210-0308 & ON

Engine (Cont)

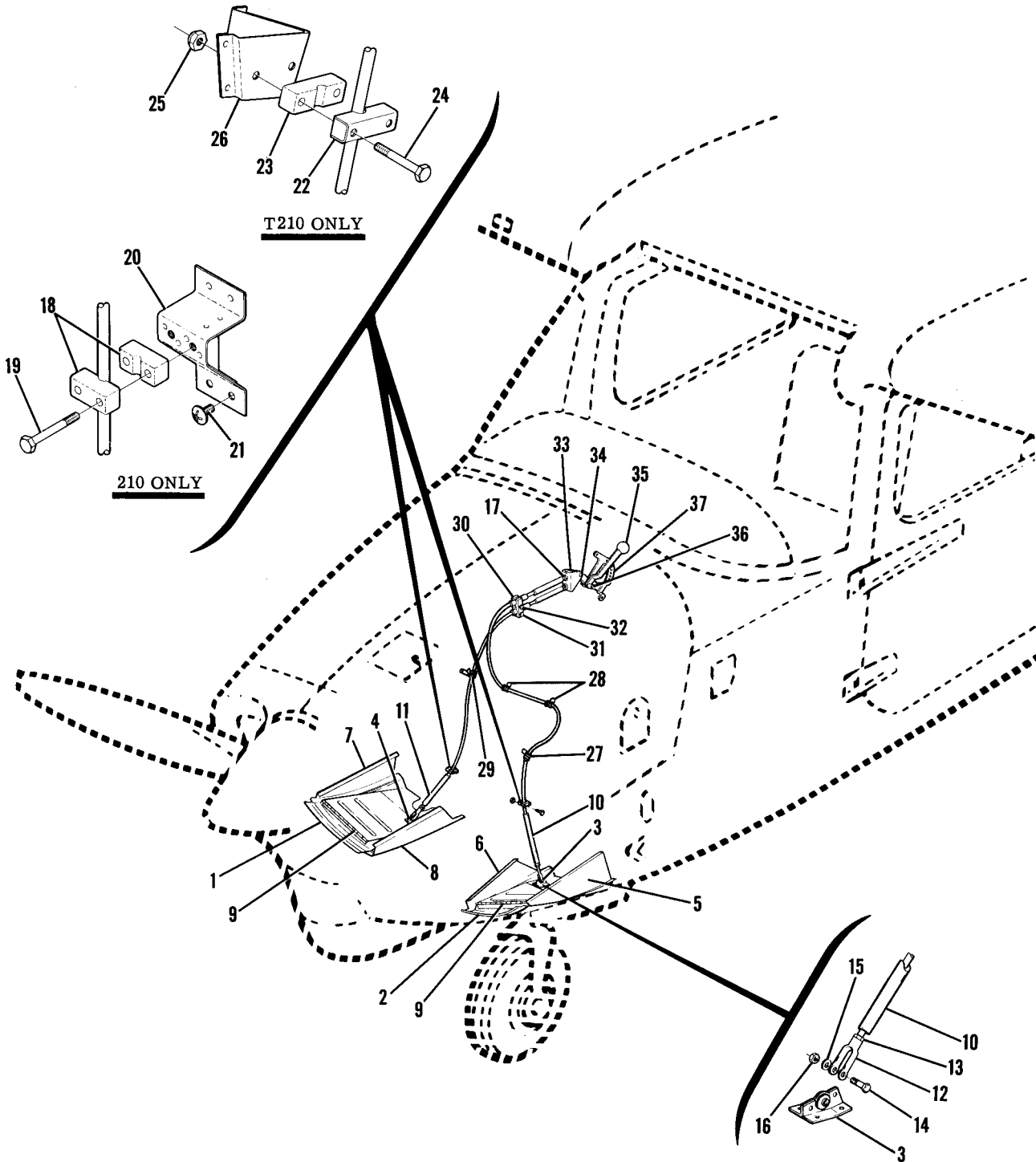


Figure 87. Cowling Flaps System Installation



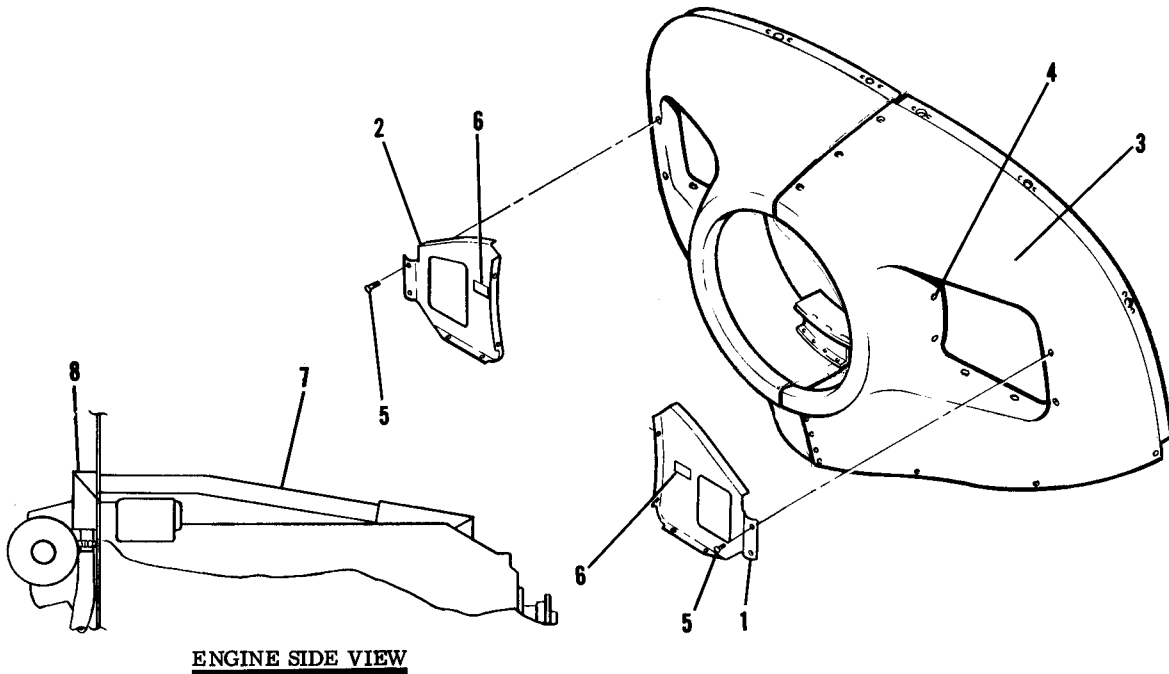
FIGURE AND INDEX NO.	PART NUMBER	DESCRIPTION	1 2 3 4 5 6 7							UNITS PER ASSY	USABLE ON CODE
87 -		COWL FLAPS SYSTEM INSTALLATION -----								NP	
- 1	1213515-200	DOOR ASSEMBLY-COWL FLAP RH -----								1	J
	1250873-200	DOOR ASSEMBLY-COWL FLAP RH -----								1	E
	1213261-202	DOOR ASSEMBLY-COWL FLAP RH -----								1	F
	1213261-204	DOOR ASSEMBLY-COWL FLAP RH -----								1	K
- 2	1213515-201	DOOR ASSEMBLY-COWL FLAP LH -----								1	J
	1250873-201	DOOR ASSEMBLY-COWL FLAP LH -----								1	E
	1213261-201	DOOR ASSEMBLY-COWL FLAP LH -----								1	F
	1213261-203	DOOR ASSEMBLY-COWL FLAP LH -----								1	K
- 3	1213518-1	BRACKET-CONTROL LH -----								1	J
	1250874-1	BRACKET-CONTROL LH -----								1	L
- 4	1213518-2	BRACKET-CONTROL RH -----								1	J
	1250874-2	BRACKET-CONTROL RH -----								1	L
- 5	1213516-1	BAFFLE-OUTBOARD LH -----								1	L
	1213516-3	BAFFLE-OUTBOARD LH -----								1	H
- 6	1213470-3	BAFFLE-INBOARD LH -----								1	G
	1213470-5	BAFFLE-INBOARD-LH -----								1	H
- 7	1213516-2	BAFFLE-OUTBOARD RH -----								1	H
	1213516-4	BAFFLE-OUTBOARD-RH -----								1	H
- 8	1213470-4	BAFFLE-INBOARD RH -----								1	G
	1213470-6	BAFFLE-INBOARD-RH -----								1	H
- 9	1213469-205	HINGE ASSEMBLY-COWL FLAP -----								1	G
	1213261-200	HINGE ASSEMBLY-COWL FLAP -----								1	H
	1213472-1	PIN-HINGE -----								1	
-10	S1244-5	CONTROL-COWL FLAP LH -----								1	A
	S1244-21	CONTROL-COWL FLAP LH -----								1	B
-11	S1244-6	CONTROL-COWL FLAP RH -----								1	
		ATTACHING PARTS -----									
-12	1213079-1	CLEVIS -----								1	
-13	AN316-4R	NUT -----								1	
-14	AN3-10A	BOLT -----								1	
-15	AN960-10	WASHER -----								2	
-16	NAS679A3	NUT -----								1	
-17	AN316-4R	NUT -----								2	
	AN936A416	WASHER -----								2	
		-----*									
-18	0713307-2	CLAMP-BLOCK -----								4	A
-19	AN3-14A	BOLT -----								4	A
-20	1213519-1	BRACKET ASSEMBLY-CLAMP -----								2	A
	NAS697A3	NUTPLATE -----								2	A
-21	AN525-10R6	SCREW -----								4	A
-22	1213527-1	CLAMP ASSEMBLY-BLOCK -----								2	B
-23	0713307-6	CLAMP-BLOCK -----								2	B
-24	AN3-13A	BOLT -----								4	B
-25	NAS679A3	NUT -----								4	B
-26	1213528-1	BRACKET-CLAMP LH -----								1	B
	1213528-2	BRACKET-CLAMP RH -----								1	B
-27	AN742D5	CLAMP LH CONTROL ONLY -----								1	A
-28	MS21919DG5	CLAMP LH CONTROL ONLY -----								2	B
		ATTACHING PARTS -----									
	NAS220-7	SCREW -----								1	B
		-----*									
-29	MS21919DG5	CLAMP RH CONTROL ONLY -----								2	B
		ATTACHING PARTS -----									
	1213658-1	BRACKET-CLAMP -----								1	B
	NAS220-7	SCREW -----								1	B
	NAS679A08	NUT -----								1	B
		-----*									
-30	1213686-6	CLAMP ASSEMBLY -----								1	
-31	1213686-1	CLAMP ASSEMBLY -----								1	
		ATTACHING PARTS -----									
-32	AN3-13A	BOLT -----								3	
	NAS679A3	NUT -----								3	
		-----*									
-33	0713701-1	CLEVIS -----								1	

CONTINUED ON NEXT PAGE



FIGURE AND INDEX NO.	PART NUMBER	DESCRIPTION	UNITS PER ASSY	USABLE ON
				CODE
		1 2 3 4 5 6 7		
87 -34	MS20392-3C11	PIN -----	1	
	AN960-10L	WASHER -----	2	
	MS24665-132	COTTER PIN -----	1	
-35	1261645-6	LEVER ASSEMBLY -----	1	C
	1261645-7	LEVER ASSEMBLY -----	1	D
		ATTACHING PARTS		
-36	1261441-3	STUD -----	1	
	AN960-10L	WASHER -----	1	
	NAS76A3-017	SPACER -----	1	
	NAS679A3	NUT -----	1	
		---*---		
-37	1261647-1	BRACKET ASSEMBLY--LEVER POSITION -----	1	
		A---210 SERIAL 21058819 & ON		
		B---T210 SERIAL T210-0198 & ON		
		C---210 SERIAL 21058819 THRU 21058936		
		T210 SERIAL T210-0198 THRU T210-0307		
		D---210 SERIAL 21058937 & ON		
		T210 SERIAL T210-0308 & ON		
		E---T210 SERIAL T210-0198 THRU T210-0392		
		F---T210 SERIAL T210-0393 & ON		
		G---210 SERIAL 21058819 THRU 21059061		
		T210 SERIAL T210-0198 THRU T210-0392		
		H---210 SERIAL 21059C62 & ON		
		T210 SERIAL T210-0393 & ON		
		J---210 SERIAL 21058819 THRU 21059061		
		K---210 SERIAL 21059C62 & ON		
		L---210 SERIAL 21059C62 & ON		
		T210 SERIAL T210-0198 & ON		

Engine (Cont)



210 SERIAL 21058819 & ON

Figure 88. Winterization Equipment Installation

FIGURE AND INDEX NO.	PART NUMBER	DESCRIPTION	UNITS PER ASSY	USABLE ON CODE
		1 2 3 4 5 6 7		
88 -		WINTERIZATION EQUIPMENT INSTALLATION -----	NP	A
- 1	12C0702-5	COVER-WINTERIZATION LH -----	1	
- 2	1200702-4	COVER-WINTERIZATION RH -----	1	
		ATTACHING PARTS		
- 3	NAS675A3	NUTPLATE -----	5	
- 4	NAS698A3	NUTPLATE -----	1	
- 5	AN520-10R6	SCREW -----	6	
		-----*		
- 6	0700319-12 0700319-13	PLACARD ----- PLACARD LOCATED ON CONSOLE COVER -----	2 1	
- 7	1200191-200	TUBE ASSEMBLY -----	1	
- 8	1200191-201	TUBE ASSEMBLY -----	1	
		A---210 SERIAL 21058819 & ON		

Ventilating System

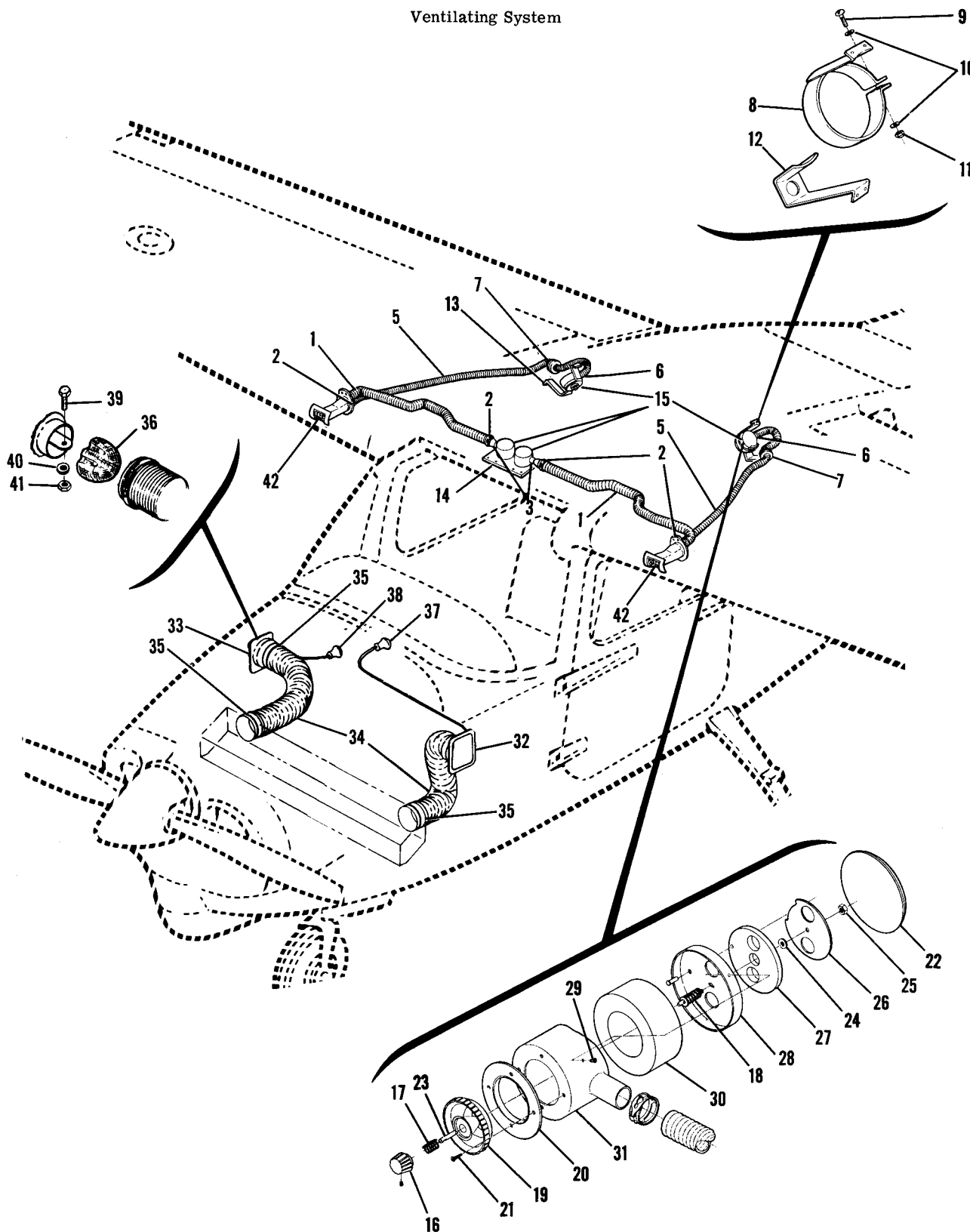
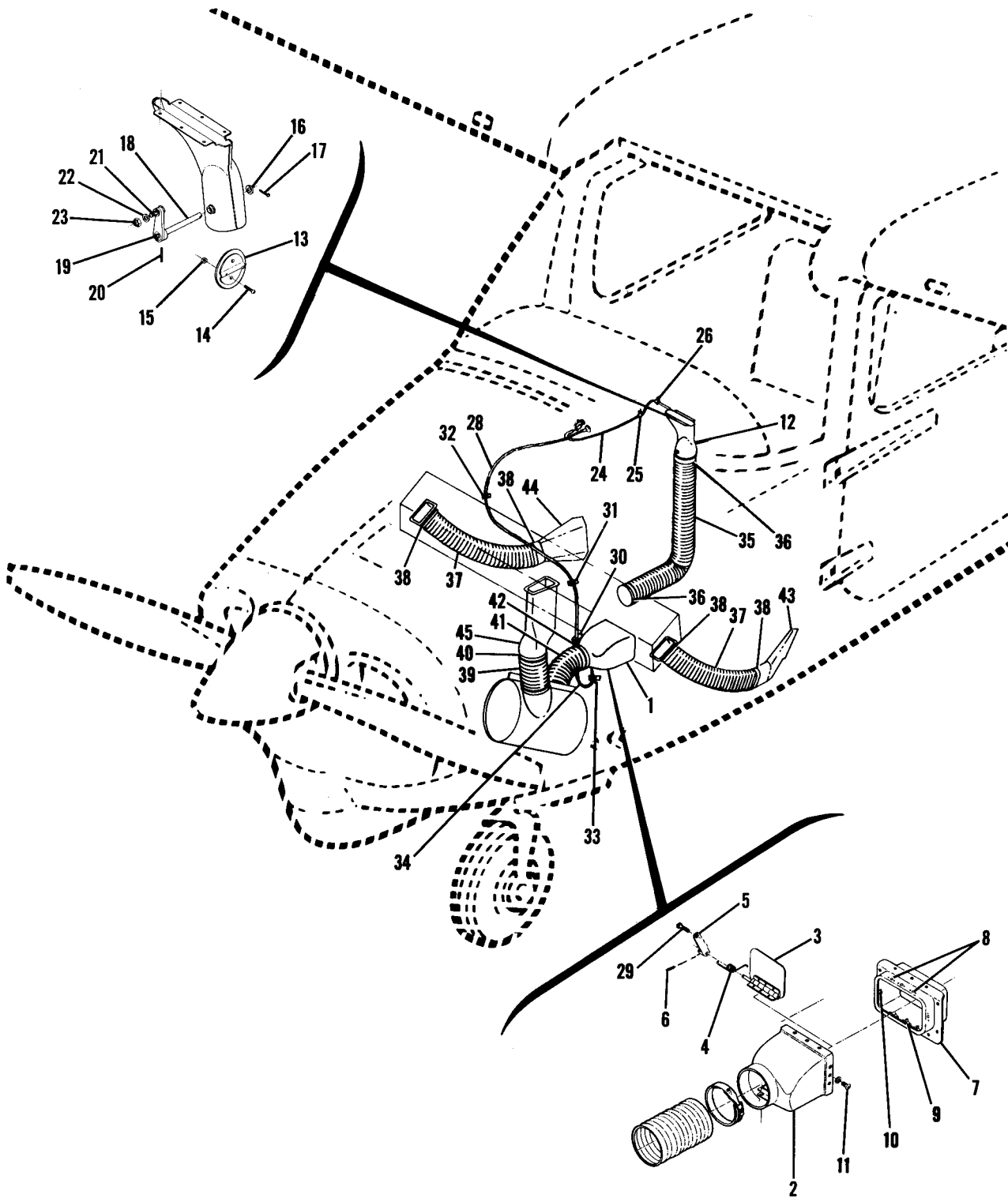


Figure 89. Cabin Ventilation System Installation



FIGURE AND INDEX NO.	PART NUMBER	DESCRIPTION	UNITS PER ASSY	USABLE ON CODE
89 -		CABIN VENTILATION SYSTEM INSTALLATION -----	NP	
- 1	S1053E12T	HOSE 38.50 IN LG BULK ITEM REF S1053E12T38.50 ----- ATTACHING PARTS -----	2	
- 2	NAS397-28	CLAMP -----	2	
- 3	1221028-1	CONNECTOR ----- -----*	1	
- 4		DELETED NEVER USED -----		
- 5	S1053E8T	HOSE 55.50 IN LG BULK ITEM REF S1053E8T55.50 ----- ATTACHING PARTS -----	1	
- 6	NAS397-18	CLAMP ----- -----*	2	
- 7	S1C50-1-3.93	GRGMMET -----	2	
- 8	1200758-1	BRACKET ASSEMBLY-LH -----	1	
	1200758-2	BRACKET ASSEMBLY-RH ----- ATTACHING PARTS -----	1	
- 9	AN515-8-10	SCREW -----	1	
-10	AN960-8	WASHER -----	2	
-11	NAS679A08	NUT ----- -----*	1	
-12	1200757-3	BRACKET-LH -----	1	
-13	1200757-4	BRACKET-RH -----	1	
-14	1210713-1	PLATE-MOUNTING -----	1	
	NAS680A08	NUTPLATE -----	3	
-15	0710013-4	SILENCER ASSEMBLY-FRESH AIR -----	4	
-16	S1728-1	KNOB -----	1	
-17	0710015-13	SPRING -----	1	
-18	0710015-12	SPRING -----	2	
-19	0713250-1	KNOB -----	1	
-20	0710014-8	ESCUTCHEON ----- ATTACHING PARTS -----	1	
-21	S1023A6-6C	SCREW ----- -----*	4	
-22	0710013-2	DOME -----	1	
-23	0710015-9	SHAFT ASSEMBLY ----- ATTACHING PARTS -----	1	
-24	AN96010L	WASHER -----	1	
-25	NAS679A3	NUT -----	1	
	AN936A10	WASHER ----- -----*	1	
-26	0710015-5	PLATE -----	1	
-27	0710015-11	SEAL -----	1	
-28	0710014-9	CAP ASSEMBLY ----- ATTACHING PARTS -----	1	
-29	S1021Z4-6	SCREW ----- -----*	4	
-30	0710015-6	INSULATOR -----	1	
-31	0710013-3	BODY -----	1	
-32	1213475-3	INLET ASSEMBLY-COLD AIR LH -----	1	
-33	1213475-4	INLET ASSEMBLY-COLD AIR RH -----	1	
-34	S1C53E20T	HOSE-15.0 IN LG BULK ITEM REF S1053E20T-15.0 ----- ATTACHING PARTS -----	2	
-35	NAS398-42	CLAMP ----- -----*	2	
-36	1213345-1	SCREEN-COLD AIR INLET -----	2	
-37	SEE FIG 58	CONTROL-CABIN AIR LH -----	1	
-38	SEE FIG 58	CONTROL-CABIN AIR RH ----- ATTACHING PARTS -----	1	
-39	0450311-5	CLAMP-CONTROL CABLE -----	1	
-40	AN960-10	WASHER -----	1	
-41	NAS679A3	NUT ----- -----*	1	
-42	1200018-1	ELEMENT-FILTER -----	1	
	1200018-2	ELEMENT-FILTER ALTERNATE -----	1	

Heating System



210 SERIAL 21058819 & ON

Figure 90. Heater & Defroster Installation

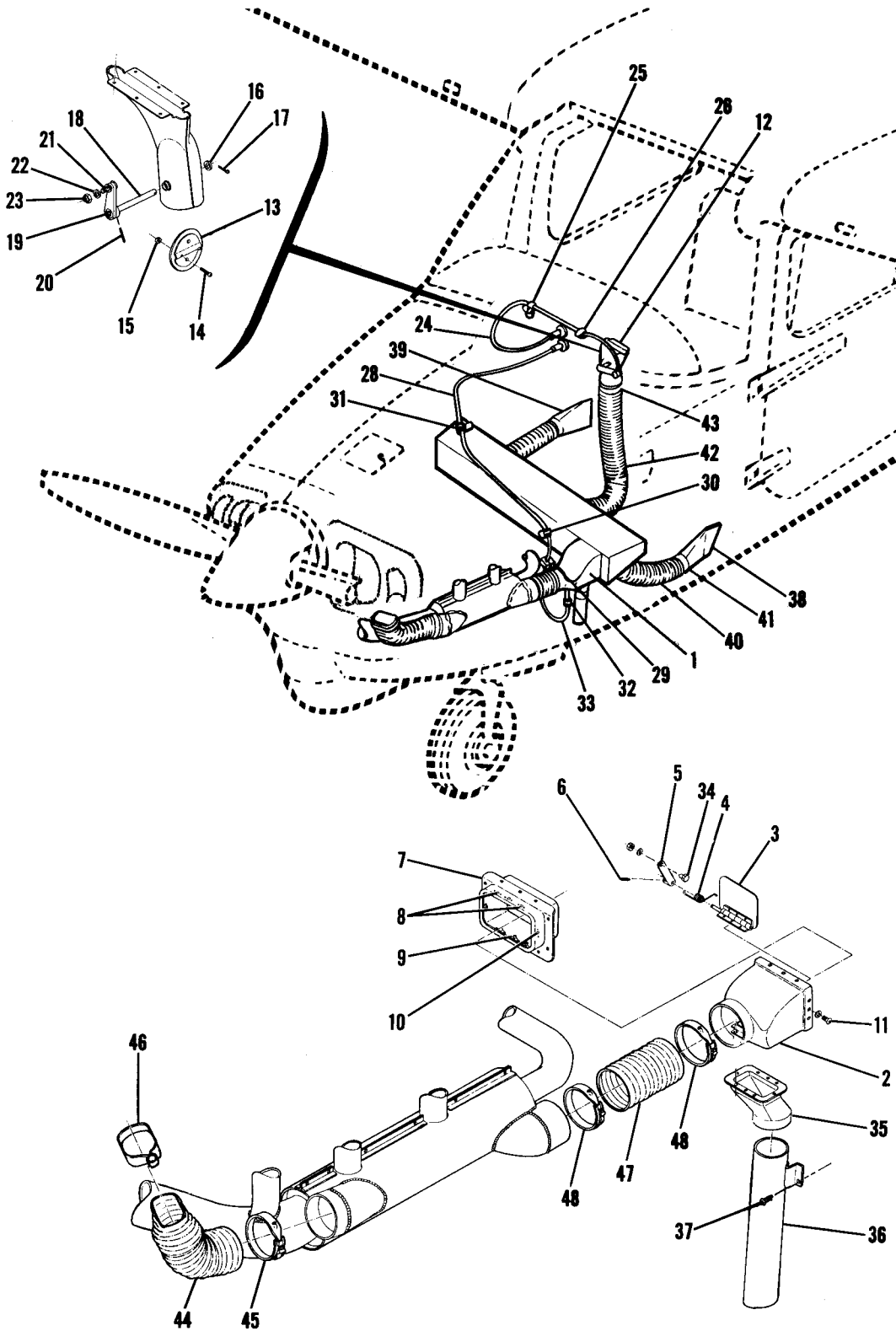
FIGURE AND INDEX NO.	PART NUMBER	DESCRIPTION	UNITS PER ASSY	USABLE ON CODE
			1 2 3 4 5 6 7	
90 -		HEATER & DEFROSTER INSTALLATION -----	NP	A
- 1	1253045-2	VALVE ASSEMBLY-CABIN HEATER -----	1	
- 2	1253044-3	VALVE BODY-CABIN HEATER -----	1	
- 3	1253034-1	VALVE PLATE ASSEMBLY -----	1	
- 4	1253041-1	SPRING-WARM AIR -----	1	
- 5	1253037-4	ARM-CONTROL -----	1	
		ATTACHING PARTS -----		
- 6	NAS561C2-8	ROLL PIN -----	1	
		---*---		
- 7	1253035-2	SEAT-VALVE -----	1	
- 8	NAS696A08	NUTPLATE -----	4	
- 9	NAS697A08	NUTPLATE -----	2	
-10	NAS698A08	NUTPLATE -----	2	
-11	AN515-8R6	SCREW -----	8	
	AN960-8L	WASHER -----	5	
-12	1250502-1	NOZZLE ASSEMBLY-DEFROST -----	1	
-13	1250116-1	VALVE ASSEMBLY -----	1	
		ATTACHING PARTS -----		
-14	AN515-6R10	SCREW -----	2	
-15	NAS679A06	NUT -----	2	
		---*---		
	1250115-3	LEVER ASSEMBLY -----	1	
		ATTACHING PARTS -----		
-16	AN960-416L	WASHER -----	1	
-17	MS24665-132	PIN-COTTER -----	1	
		---*---		
-18	1250115-4	SHAFT -----	1	
-19	0713019-24	ARM ASSEMBLY -----	1	
-20	MS16562-16	ROLL PIN EN -----	1	
-21	0450311-5	CLAMP -----	1	
-22	AN960-10L	WASHER -----	1	
-23	NAS679A3	NUT -----	1	
-24	SEE FIG 58	CONTROL ASSEMBLY-DEFROST -----	1	
		ATTACHING PARTS -----		
-25	AN742D3	CLAMP -----	1	
	S1485D3U	CLAMP -----	1	
	S1021Z8-8	SCREW -----	1	
-26	AN742D3	CLAMP -----	1	
	S1022Z8-8	SCREW -----	1	
	AN960D516	WASHER -----	1	
		---*---		
-27		DELETED NOT PROCURABLE -----		
-28	SEE FIG 58	CONTROL ASSEMBLY-CABIN HEAT -----	1	
		ATTACHING PARTS -----		
-29	0450311-5	CLAMP -----	1	
	AN960-10L	WASHER -----	1	
	NAS679A3	NUT -----	1	
-30	0713307-2	CLAMP -----	2	
	AN523-10R22	SCREW -----	2	
	AN960-10L	WASHER -----	2	
-31	MS21919DG4	CLAMP -----	1	
	NAS43DD3-32	SPACER -----	1	
	AN520-10R10	SCREW -----	1	
-32	S1486DG4U	CLAMP -----	1	
	MS21919DG4	CLAMP -----	1	
	S1021Z8-6	SCREW -----	1	
-33	MS21919DG3	CLAMP -----	1	
	S1021Z8-6	SCREW -----	1	
-34	S1399-1	SLEEVE -----	AR	
		---*---		
-35	S1053E16T*	HOSE-DEFROST * IN LG BULK ITEM REF S1053E16T* -----	1	
		ATTACHING PARTS -----		
-36	NAS397-32	CLAMP -----	2	
		---*---		

CONTINUED ON NEXT PAGE

FIGURE AND INDEX NO.	PART NUMBER	DESCRIPTION	UNITS PER ASSY	USABLE ON CODE
90 -37	S1110ET19.5	DUCT-HEATER -----	2	
		ATTACHING PARTS -----		
-38	S10268G10.90X	CLAMP -----	2	
		-----*		
-39	S1053K24T-*	HOSE * IN LG BULK ITEM REF S1053K24T* -----	1	
		ATTACHING PARTS -----		
-40	NAS398-50	CLAMP -----	2	
		-----*		
-41	S1053K24T-*	HOSE * IN LG BULK ITEM REF S1053K24T* -----	1	
		ATTACHING PARTS -----		
-42	NAS398-50	CLAMP -----	2	
		-----*		
-43	1250503-1	DUCT-LH -----	1	
-44	1250503-2	DUCT-RH -----	1	
-45	1250123-1	AIR INLET ASSEMBLY -----	1	
NOTE. *LENGTHS TO BE ADDED LATER.				
A---210 SERIAL 21058819 & ON				

FIGURE AND INDEX NO.	PART NUMBER	DESCRIPTION	UNITS PER ASSY	USABLE ON CODE
		1 2 3 4 5 6 7		
91 -		HEATER & DEFROSTER INSTALLATION -----	NP	A
- 1	1253045-2	VALVE ASSEMBLY-CABIN HEATER -----	1	
- 2	1253044-3	VALVE BODY-CABIN HEATER -----	1	
- 3	1253034-1	VALVE PLATE ASSEMBLY -----	1	
- 4	1253041-1	SPRING-WARM AIR -----	1	
- 5	1253037-4	ARM-CONTROL -----	1	
		ATTACHING PARTS		
- 6	NAS561C2-8	ROLL PIN -----	1	
		*-----		
- 7	1253035-2	VALVE SEAT ASSEMBLY -----	1	
- 8	NAS696A08	NUTPLATE -----	4	
- 9	NAS697A08	NUTPLATE -----	2	
-10	NAS698A08	NUTPLATE -----	2	
-11	AN515-8R6	SCREW -----	8	
	AN960-8L	WASHER -----	5	
-12	1250502-1	NOZZLE ASSEMBLY-DEFROST -----	1	
-13	1250116-1	VALVE ASSEMBLY -----	1	
		ATTACHING PARTS		
-14	AN515-6R10	SCREW -----	2	
-15	NAS679A06	NUT -----	2	
		*-----		
	1250115-3	LEVER ASSEMBLY -----	1	
		ATTACHING PARTS		
-16	AN960-416L	WASHER -----	1	
-17	MS24665-132	PIN-COTTER -----	1	
		*-----		
CONTINUED ON NEXT PAGE				

Heating System (Cont)



T210 SERIAL T210-0198 & ON

Figure 91. Heater & Defroster Installation

FIGURE AND INDEX NO.	PART NUMBER	DESCRIPTION	UNITS PER ASSY	USABLE ON CODE
		1 2 3 4 5 6 7		
91 -18	1250115-4	SHAFT -----	1	
-19	0713019-24	ARM ASSEMBLY -----	1	
-20	MS16562-16	ROLL PIN EN -----	1	
-21	0450311-5	CLAMP -----	1	
-22	AN960-10L	WASHER -----	1	
-23	NAS679A3	NUT -----	1	
-24	SEE FIG 58	CONTROL ASSEMBLY -----	1	
		ATTACHING PARTS		
-25	AN742D3	CLAMP -----	1	
	S1485D3U	CLAMP -----	1	
	S1021Z8-8	SCREW -----	1	
-26	AN742D3	CLAMP -----	1	
	S1022Z8-8	SCREW -----	1	
	AN960D516	WASHER -----	1	
		---*---		
-27		DELETED NOT PROCURABLE -----		
-28	SEE FIG 58	CONTROL ASSEMBLY-CABIN HEAT -----	1	
		ATTACHING PARTS		
-29	0713307-2	CLAMP -----	2	
	AN523-10R22	SCREW -----	2	
	AN960-10L	WASHER -----	2	
-30	MS21919DG4	CLAMP -----	1	
	NAS43DD3-32	SPACER -----	1	
	AN520-10R10	SCREW -----	1	
-31	S1486DG4U	CLAMP -----	1	
	MS21919DG4	CLAMP -----	1	
	S1021Z8-6	SCREW -----	1	
-32	MS21919DG3	CLAMP -----	1	
	S1021Z8-6	SCREW -----	1	
-33	S1399-1	SLEEVE -----	AR	
-34	0450311-5	CLAMP -----	1	
	NAS679A3	NUT -----	1	
	AN960-10L	WASHER -----	1	
		---*---		
-35	1250843-1	ADAPTOR -----	1	
-36	1250849-5	TUBE ASSEMBLY -----	1	
		ATTACHING PARTS		
-37	AN515-8R7	SCREW -----	2	
	NAS696A08	NUTPLATE -----	2	
		---*---		
-38	1250503-1	DUCT-LH -----	1	
-39	1250503-2	DUCT-RH -----	1	
-40	S1110ET19.5	DUCT -----	2	
		ATTACHING PARTS		
-41	S1026BG10.90X	CLAMP -----	4	
		---*---		
-42	S1053E16T-*	HOSE * IN LG BULK ITEM REF S1053E16T* -----	1	
		ATTACHING PARTS		
-43	NAS397-32	CLAMP -----	2	
		---*---		
-44	S1053K24T-*	HOSE * IN LG BULK ITEM REF S1053K24T* -----	1	
		ATTACHING PARTS		
-45	NAS398-50	CLAMP -----	1	
-46	S1026BG13.00X	CLAMP -----	1	
		---*---		
-47	S1053K24T-*	HOSE * IN LG BULK ITEM REF S1053K24T* -----	1	
		ATTACHING PARTS		
-48	NAS398-50	CLAMP -----	2	
		---*---		
		NOTE. *LENGTHS TO BE ADDED LATER		
		A---T210 SERIAL T210-0198 & ON		

Brake System

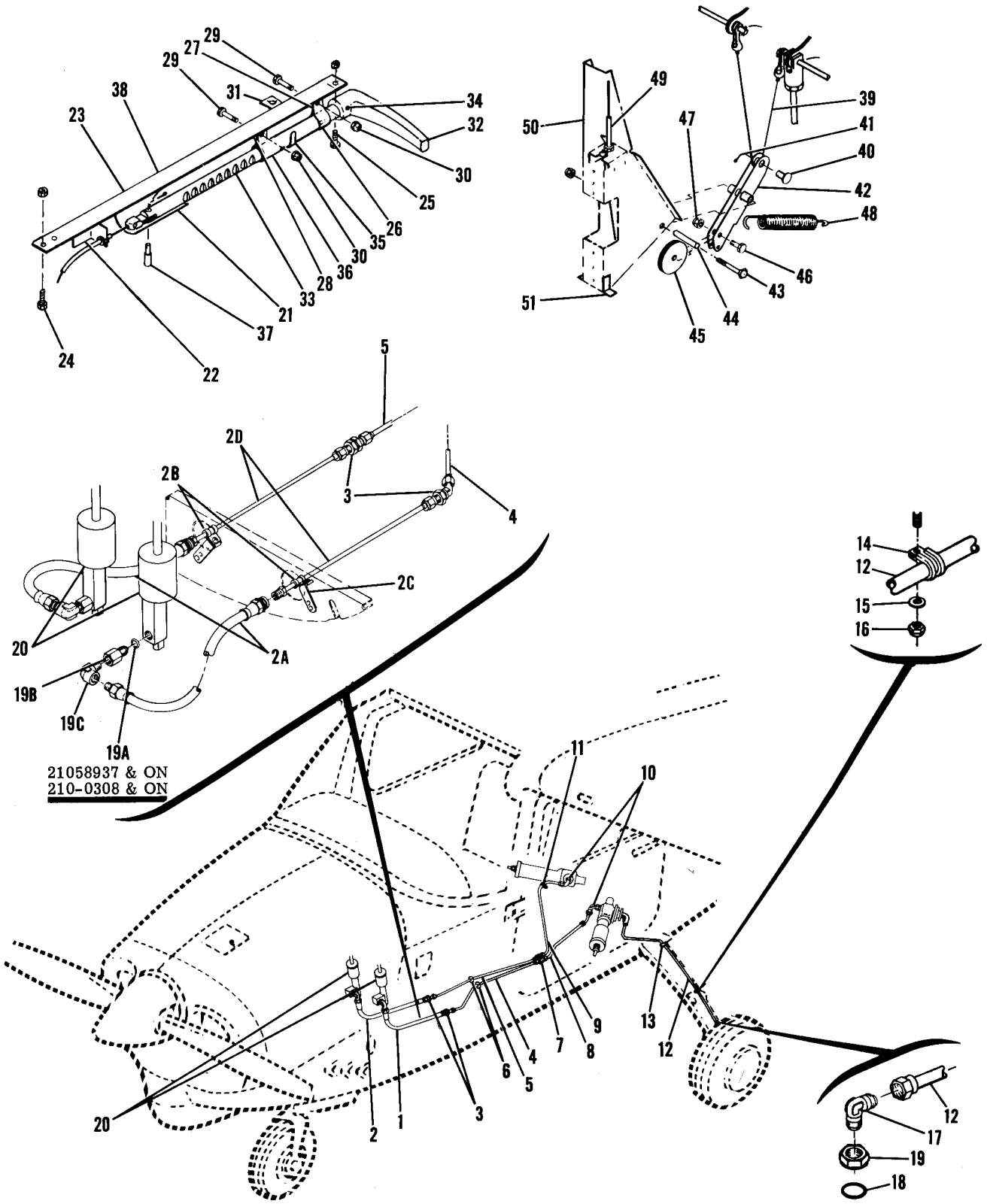


Figure 92. Brake System Installation



FIGURE AND INDEX NO.	PART NUMBER	DESCRIPTION	UNITS PER ASSY	USABLE ON CODE		
					1	2
92 -		BRAKE SYSTEM INSTALLATION -----	NP			
- 1	S1167-3-0152	HOSE ASSEMBLY-BRAKE LH -----	1	A		
- 2	S1167-3-0144	HOSE ASSEMBLY-BRAKE RH -----	1	A		
- 2A	S1810-1000	HOSE ASSEMBLY-BRAKE -----	2	B		
- 2B	MS21919DG3	CLAMP -----	2	B		
		ATTACHING PARTS				
	S1021Z8-6	SCREW -----	1	B		
	NAS446-4-3	NUT -----	1	B		
		-----*				
- 2C	0713272-1	BRACKET -----	2	B		
- 2D	1280506-122	LINE ASSEMBLY -----	2	B		
- 3	AN837-3D	ELBOW-UNIVERSAL 45 DEGREES LH ONLY -----	1			
	AN832-3D	UNION RH ONLY -----	1			
	AN960PD616	WASHER -----	1			
	AN934-3D	NUT -----	1			
- 4	1280506-105	LINE ASSEMBLY-BRAKE LH -----	1			
- 5	1280506-106	LINE ASSEMBLY-BRAKE RH -----	1			
		ATTACHING PARTS				
- 6	MS35489-5	GROMMET -----	1			
- 7	AN832-3D	UNION BULKHEAD -----	1			
	AN960PD616	WASHER -----	1			
	AN924-3D	NUT -----	1			
		-----*				
- 8	1280506-21	LINE ASSEMBLY-BRAKE LH -----	1			
- 9	1280506-22	LINE ASSEMBLY-BRAKE RH -----	1			
		ATTACHING PARTS				
-10	1280111-1	SWIVEL ASSEMBLY -----	1			
-11	755AE4-2-6	CLAMP AP -----	1			
	MS21919DG3	CLAMP -----	1			
	AN515-8R8	SCREW -----	1			
		-----*				
-12	1280506-99	LINE ASSEMBLY-BRAKE LH -----	1			
	1280506-100	LINE ASSEMBLY-BRAKE RH -----	1			
		ATTACHING PARTS				
-13	1241035-1	CLIP-BRAKE LINE LH -----	1			
	1241035-2	CLIP-BRAKE LINE RH -----	1			
-14	MS21919DG4	CLAMP -----	1			
-15	AN960D10	WASHER -----	1			
-16	NAS679A3	NUT -----	1			
-17	AN833-4D	ELBOW -----	1			
-18	MS28778-4	GASKET -----	1			
-19	AN924-4D	NUT -----	1			
		-----*				
-19A	MS28778-4	PACKING -----	2	B		
-19B	S1743-2	CONNECTOR -----	2	B		
-19C	AN914-1D	ELBOW -----	2	B		
-20	SEE FIG 94	CYLINDER ASSEMBLY-MASTER BRAKE -----	2			
		BRAKE INSTALLATION-PARKING -----	NP			
-21	0713070-4	RACK -----	1			
-22	0713070-5	ANGLE -----	1			
-23	1260436-1	ANGLE -----	1			
		ATTACHING PARTS				
-24	AN3-3A	BOLT -----	2			
-25	AN3-6A	BOLT -----	1			
	NAS679A3	NUT -----	3			
	AN960PD10	WASHER -----	AR			
		-----*				
	0813150-55	HANDLE ASSEMBLY-PARKING BRAKE -----	1			
		ATTACHING PARTS				
-26	0713070-25	CLAMP-PARKING BRAKE -----	1			
-27	0713070-32	SPACER-PARKING BRAKE -----	1			
-28	0713070-15	SPACER-PARKING BRAKE -----	1			
-29	AN3-6A	BOLT -----	2			
-30	NAS679A3	NUT -----	2			
-31	S1154-1	BRACKET -----	1			
		-----*				
-32	C811490-75	HANDLE-PARKING BRAKE -----	1			
-33	C813150-54	TUBE-PARKING BRAKE -----	1			
-34	NAS561-5-12	ROLL PIN -----	1			
-35	C713070-24	CATCH-PARKING BRAKE -----	1			
		ATTACHING PARTS				
	AN960-4	WASHER -----	1			
		-----*				

CONTINUED ON NEXT PAGE

FIGURE AND INDEX NO.	PART NUMBER	DESCRIPTION							UNITS PER ASSY	USABLE ON CODE
		1	2	3	4	5	6	7		
92 -36	C813156-4	HOUSING ASSEMBLY -----							1	
-37	0713070-6	PIN-POSITIONING -----							1	
-38	MS24665-132	PIN-COTTER -----							1	
-39	1260505-1	CABLE ASSEMBLY -----							1	
	1260505-101	CABLE ASSEMBLY-STAINLESS STEEL -----							1	
-40	MS20392-4C13	PIN -----							1	
-41	MS24665-281	PIN-COTTER -----							1	
-42	0713070-35	BELLCRANK ASSEMBLY -----							1	
		ATTACHING PARTS								
-43	AN3-13A	BOLT -----							1	
-44	0713070-19	SPACER -----							1	
	NAS679A3	NUT -----							1	
		*-----								
-45	S378-1	PULLEY -----							1	
		ATTACHING PARTS								
-46	AN23-9A	BOLT -----							1	
-47	NAS679A3	NUT -----							1	
		*-----								
-48	0713625-1	SPRING -----							1	
-49	1260417-1	CABLE & TUBE ASSEMBLY -----							1	
	1260417-2	CABLE & TUBE ASSEMBLY-STAINLESS STEEL CABLE -----							1	
-50	1261417-1	BRACKET -----							1	
-51	1261422-1	ANGLE LH -----							1	
	1261422-2	ANGLE RH -----							1	
		A---210 SERIAL 21058819 THRU 21058936 T210 SERIAL T210-0198 THRU T210-0307								
		B---210 SERIAL 21058937 & ON T210 SERIAL T210-0308 & ON								

This page intentionally left blank.

Brake System (Cont)

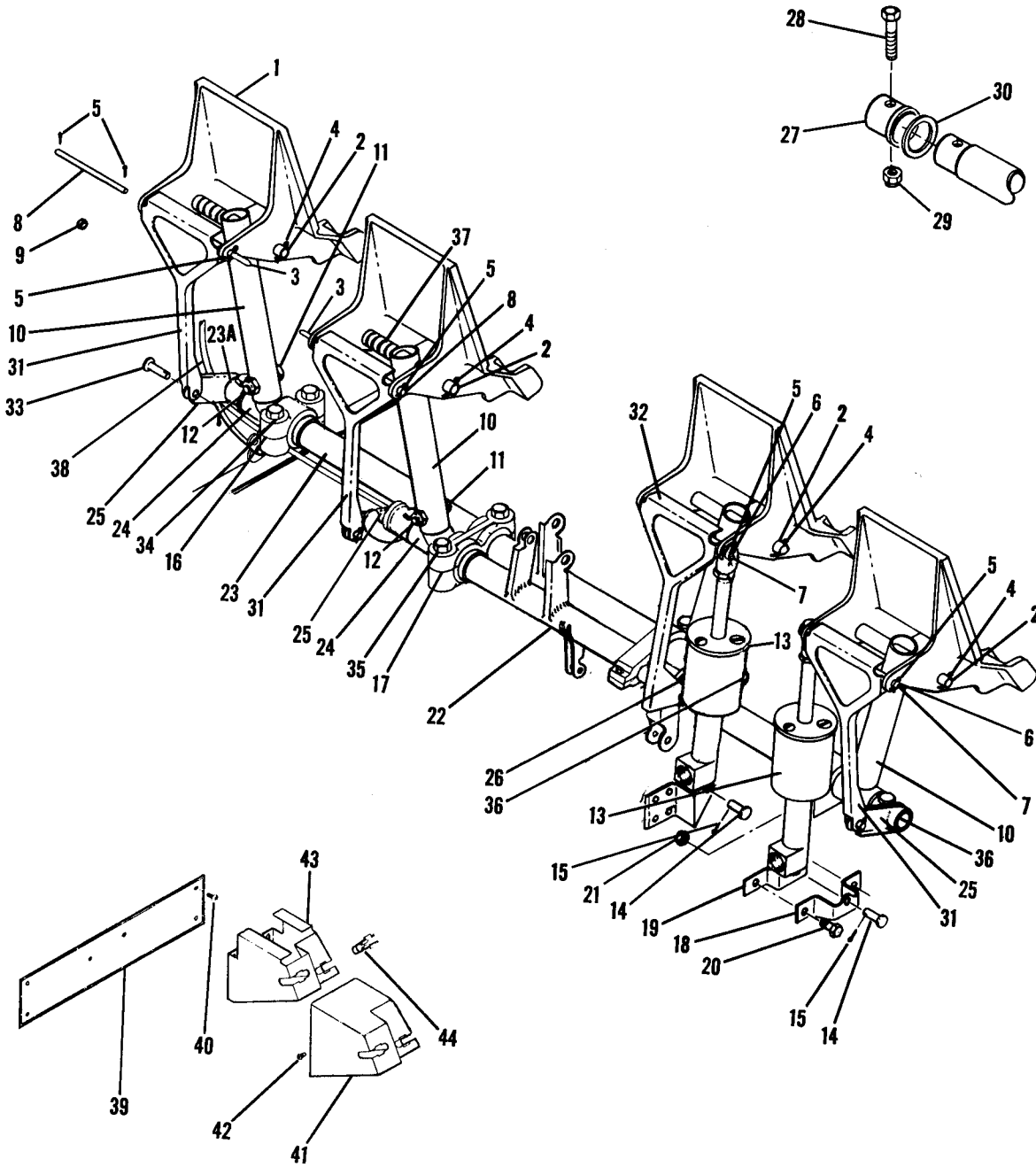


Figure 93. Brake & Rudder Pedals Installation

FIGURE AND INDEX NO.	PART NUMBER	DESCRIPTION	UNITS PER ASSY	USABLE ON CODE
93 -		1 2 3 4 5 6 7 BRAKE & RUDDER PEDALS INSTALLATION -----	NP	
- 1	1460320-1	PEDAL -----	4	
		ATTACHING PARTS		
- 2	1460501-21	SHAFT LH -----	1	
	1460501-36	SHAFT RH -----	1	
- 3	1260459-8	PIN ON RH PEDALS ONLY -----	1	
- 4	MS24665-285	PIN-COTTER -----	2	
- 5	MS24665-132	PIN-COTTER -----	1	
		---*---		
- 6	S1438-2	WASHER INSTALL BETWEEN BRAKE CYLINDER ROD & COTTER PIN --	AR	
- 7	C411778-2	SHAFT LH PEDALS ONLY -----	2	
- 8	C411778-4	SHAFT RH PEDALS ONLY -----	2	
- 9	NAS42HT6-8	SPACER-RH -----	2	
-10	C411307	ARM-RUDDER BAR -----	4	
		ATTACHING PARTS		
-11	AN3-11A	BOLT -----	1	
-12	NAS679A3	NUT -----	1	
		---*---		
-13	SEE FIG 94	CYLINDER ASSEMBLY-BRAKE MASTER -----	2	
		ATTACHING PARTS		
-14	MS20392-2C15	PIN -----	1	
-15	MS24665-132	PIN-COTTER -----	1	
		---*---		
-16	S1674-1	BEARING HALF-CUTBOARD -----	4	
-17	S1675-1	BEARING HALF-INBOARD -----	4	
-18	C411549	BRACKET-BRAKE CYLINDER OUTSIDE -----	1	
-19	C411550	BRACKET-BRAKE CYLINDER INSIDE -----	1	
		ATTACHING PARTS		
-20	AN3-3A	BOLT -----	2	
-21	NAS679A3	NUT -----	2	
		---*---		
-22	1260456-1	RUDDER BAR ASSEMBLY-LH -----	1	
-23	1260456-2	RUDDER BAR ASSEMBLY-RH -----	1	
-23A	1260460-2	STUB ASSEMBLY -----	1	
-24	S1003-43A	BEARING -----	4	
-25	126021-1	BELLCRANK ASSEMBLY DUAL CONTROLS -----	3	
-26	C411573-1	BELLCRANK ASSEMBLY DUAL CCTRLS -----	1	
-27	C411562	HUB SINGLE CONTROLS -----	4	
		ATTACHING PARTS		
-28	AN3-10A	BOLT -----	4	
-29	NAS679A3	NUT -----	4	
-30	1260459-3	WASHER -----	AR	
		---*---		
-31	C411564	LINK -----	3	
-32	C411564-3	LINK -----	1	
		ATTACHING PARTS		
-33	MS20392-2C15	PIN -----	1	
	NAS43HT3-12	SPACER -----	1	
	MS24665-132	PIN-COTTER -----	1	
		---*---		
-34	AN3-15A	BOLT -----	4	
	NAS679A3	NUT -----	4	
-35	AN3-13A	BOLT -----	4	
-36	1260419-1	TUBE -----	2	
-37	0760682-1	SPRING-ANTI RATTLE -----	4	
-38	1260458-1	CONTRCL ASSEMBLY-DISENGAGING RUDDER PEDALS -----	1	A
	1260458-6	CONTROL ASSEMBLY-DISENGAGING RUDDER PEDALS -----	1	B
-39	1260459-11	SCUFF PLATE -----	1	
		ATTACHING PARTS		
-40	NAS221-5	SCREW -----	8	
	NAS680A3	NUTPLATE -----	8	
		---*---		
-41	1260461-2	COVER ASSEMBLY-DISENGAGING RUDDER PEDALS -----	1	
		ATTACHING PARTS		
-42	S1021A8-8	SCREW -----	2	
		---*---		
-43	1260461-3	BRACKET ASSEMBLY -----	1	
-44	S1213-1	CATCH -----	2	
		NOTE. THIS PART MUST HAVE A SECOND DASH NUMBER ADDED TO DENOTE COLOR. REFER TO HOW TO ORDER INTERIOR PARTS-PAGE VI.		
		A---210 SERIAL 21058819 THRU 21058936 T210 SERIAL T210-0198 THRU T210-0307		
		B---210 SERIAL 21058937 & ON T210 SERIAL T210-0308 & ON		

Brake System (Cont)

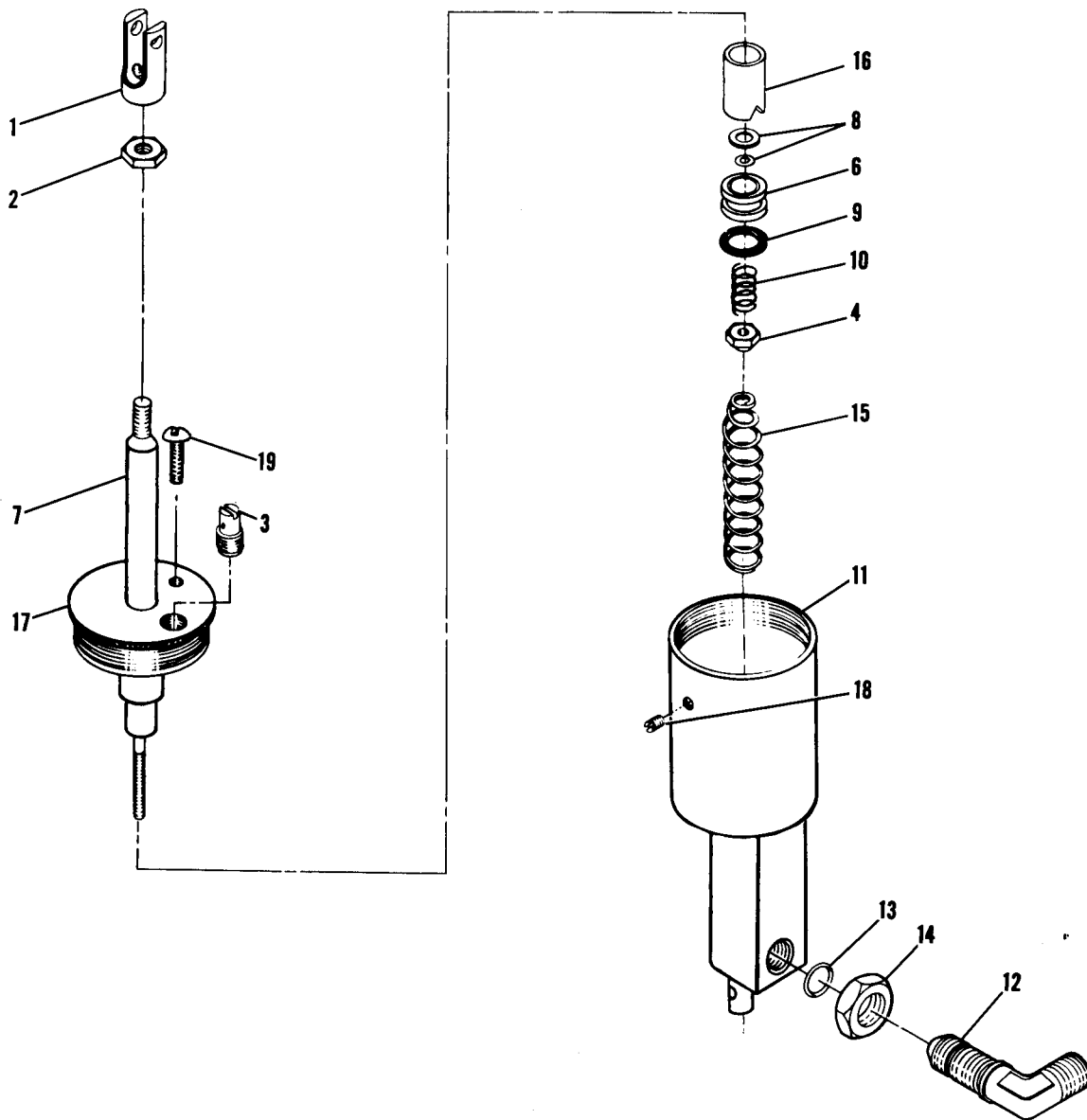
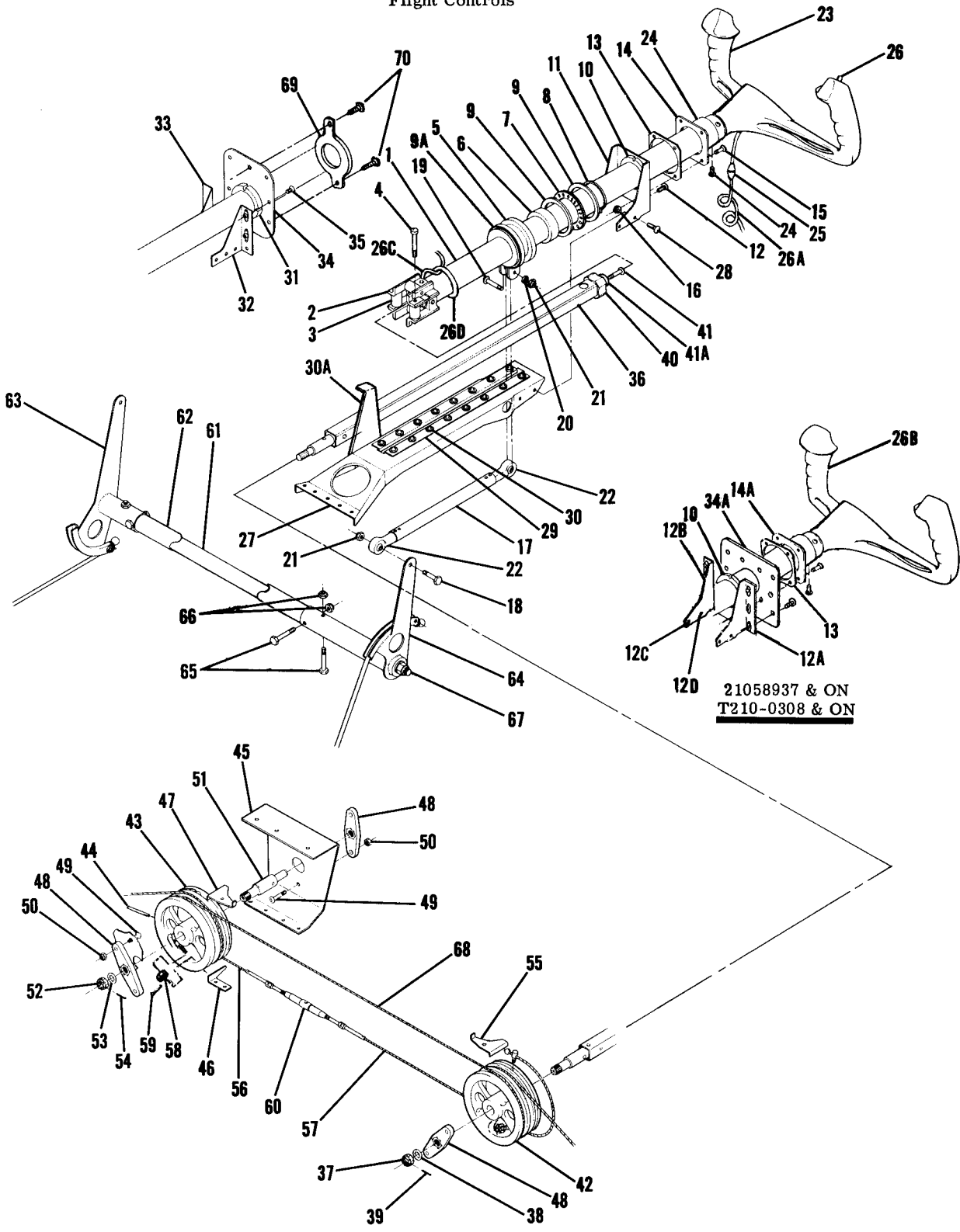


Figure 94. Brake Master Cylinder Assembly

FIGURE AND INDEX NO.	PART NUMBER	DESCRIPTION	UNITS PER ASSY	USABLE ON CODE
94 -	0541138-16	1 2 3 4 5 6 7 BRAKE MASTER CYLINDER ASSEMBLY -----	2	A
- 1	0541138-3	BRAKE MASTER CYLINDER ASSEMBLY -----	2	B
- 2	0541140	CLEVIS -----	1	
- 3	AN316-4R	NUT-CHECK -----	1	
	0541139	PLUG -----	1	
	0541138-5	PISTON ASSEMBLY-MASTER CYLINDER -----	1	
		ATTACHING PARTS		
- 4	22FH632	NUT SPS -----	1	
- 5		DELETED NEVER USED -----		
- 6	0541143	PISTON-MASTER CYLINDER -----	1	
- 7	0541144	ROD-PISTON -----	1	
- 8	800-001-6	LOCK-O-SEAL PAET -----	1	
- 9	AN622788	O-RING -----	1	
- 10	0541148-1	SPRING-PISTON -----	1	
- 11	0541184-200	BODY-MASTER CYLINDER -----	1	A
	0541184-1	BODY-MASTER CYLINDER -----	1	B
- 12	AN921-4D	ELBOW -----	1	A
- 13	MS28778-4	GASKET -----	1	A
- 14	AN924-4D	NUT -----	1	A
- 15	0441148	SPRING -----	1	
- 16	0541149	SLEEVE -----	1	
- 17	0541151	COVER -----	1	
- 18	AN565D6-3	SET SCREW -----	1	
- 19	AN515-10R8	SCREW -----	1	
<p>A---210 SERIAL 21058819 THRU 21058936 T210 SERIAL T210-0198 THRU T210-0307</p> <p>B---210 SERIAL 21058937 & ON T210 SERIAL T210-0308 & ON</p>				

Flight Controls



21058937 & ON
T210-0308 & ON

Figure 95. Control Column Installation

FIGURE AND INDEX NO.	PART NUMBER	DESCRIPTION							UNITS PER ASSY	USABLE ON CODE
		1	2	3	4	5	6	7		
95 - 1	126423-9	TUBE & BEARING ASSEMBLY-AILERON & ELEVATOR CONTROLS ----- WHEN EXHAUSTED USE 1290001K8							2	C
	129C001K8	TUBE & BEARING ASSEMBLY-AILERON & ELEVATOR CONTROLS -----							2	C
	126C009-5	TUBE & BEARING ASSEMBLY-AILERON & ELEVATOR CONTROLS ----- LH ONLY							1	E
	121050-201	TUBE & BEARING ASSEMBLY-AILERON & ELEVATOR CONTROLS ----- LH ONLY							1	F
	126C098-3	TUBE & BEARING ASSEMBLY-AILERON & ELEVATOR CONTROLS ----- LH ONLY							1	G
	126C009-6	TUBE & BEARING ASSEMBLY-AILERON & ELEVATOR CONTROLS ----- RH ONLY							1	H
	126C009-9	TUBE & BEARING ASSEMBLY-AILERON & ELEVATOR CONTROLS -----							1	J
- 2	076C646-2	RETAINER-CONTROLS -----							1	
- 3	B59	%	BEARING TOR -----						4	
	KN050809	%	BEARING KNGC ALTERNATE -----						4	
	0523921-1	%%	ROLLER ASSEMBLY -----						4	
	0760672-1		SPACER -----						4	
	NAS43DD5-4	%	SPACER -----						8	
	NAS43DD6-3	%%	SPACER -----						8	
- 4	0760644-1		SCREW-MACHINE -----						4	
- 5	0760643-1		SLEEVE WELD ASSEMBLY -----						1	
- 6	B228		BEARING TOR -----						1	
- 7	NTA2233		BEARING TOR -----						2	
- 8	MS16624-137		RETAINER -----						1	
- 9	TRA2233		RACE-BEARING TOR -----						4	
- 9A	S1358-1		WASHER ADJUSTMENT -----						AR	
-10	S1C80-4		GROMMET-LH -----						1	
-11	1261427-2		SUPPORT PLATE-CONTROL LH ----- ATTACHING PARTS						1	C
-12	NAS221-5		SCREW -----						2	
-12A	1213092-1		BRACKET ASSEMBLY OUTBOARD -----						1	D
-12B	1213092-2		BRACKET ASSEMBLY -----						1	D
	NAS696A08		NUTPLATE -----						2	
	NAS697A08		NUTPLATE -----						1	
-12C	NAS696A3		NUTPLATE INBOARD ONLY -----						1	
-12D	NAS697A3		NUTPLATE INBOARD ONLY -----						1	
-13	0760642-2		SPACER-LH -----						1	
-14	0760642-1		COLLAR-LH -----						1	C
-14A	076C118-1		COLLAR-LH ----- ATTACHING PARTS						1	D
-15	AN515-6R8		SCREW -----						4	
-16	NAS679A06		NUT -----						4	
-17	0760634-3		PUSH ROD ASSEMBLY ----- ATTACHING PARTS						1	
-18	NAS222-16		SCREW -----						1	
-19	0760674-1		SCREW -----						1	
-20	AN960-416		WASHER -----						2	
-21	NAS679A4		NUT -----						2	
-22	F44-14S		ROD END HEC -----						2	
-23	1560001-10		WHEEL ASSEMBLY-CONTROL -----						2	C
	0713245-200		WHEEL ASSEMBLY-CONTROL WITH MIKE SWITCH ----- ATTACHING PARTS						1	C
-24	AN507-1032R6		SCREW -----						3	
	1560319-1		COLLAR -----						1	
-25	SM2H		HOOD WIQ -----						1	
	SM3P		PLUG WIQ -----						1	
	1250835-1		WHEEL-CONTROL WITH MIKE SWITCH -----						1	
-26	A8002		SWITCH-MIKE HEITH -----						1	
	A8006		SWITCH-MIKE HEITH ALTERNATE -----						1	
	1250835-3		RETAINER -----						1	
-26A	8409		CABLE-RETRACTABLE BDN -----						1	C
	SM3S		RECEPTACLE WIQ -----						1	C
	SM2H		HOOD WIQ -----						1	C

CONTINUED ON NEXT PAGE

FIGURE AND INDEX NO.	PART NUMBER	DESCRIPTION	1 2 3 4 5 6 7						UNITS PER ASSY	USABLE ON CODE
95 -26B	156C001-10	CONTROL WHEEL ASSEMBLY RH ONLY -----							1	D
	156C010-4	CONTROL WHEEL ASSEMBLY LH ONLY -----							1	D
	AN507-1032R6	ATTACHING PARTS -----								
	1560319-1	SCREW -----							3	D
		COLLAR -----							1	D
		-----*								
	1560110-3	PLUG LH ONLY -----							1	
		ATTACHING PARTS -----								
	AN565B4-2	SCREW -----							1	
		-----*								
	PC47301	RIVET-ACCORION UC LH ONLY -----							1	
	260C6	SWITCH-ELECTRIC TRIM ANS LH CONTROL WHEEL -----							1	D
	156C110-1	ADAPTER-ELECTRIC TRIM SWITCH LH CONTROL WHEEL -----							1	D
		ATTACHING PARTS -----								
	AN565B4-2	SCREW -----							1	
		-----*								
	1560325-2	SWITCH-MIKE LH CONTROL WHEEL -----							1	D
	8445	CABLE BDN TERMINAL BLOCK TO ELECTRIC TRIM & MIKE SWITCHES LH CONTROL WHEEL -----							1	D
	157C142-2	CIRCUIT BOARD ASSEMBLY-MAP LIGHT LH CONTROL WHEEL -----							1	D
	1570150-1	SHIELD-CIRCUIT BOARD LH CONTROL WHEEL -----							1	D
		ATTACHING PARTS -----								
	AN515-2R6	SCREW -----							4	
		-----*								
-26C	SF1C30-26BX	CABLE BDN LH ONLY -----							1	D
-26D	S1693-2	STRAP LH ONLY -----							1	D
	SEE FIG 2	PLACARD & BASE PLATES -----							NP	
-27	1261420-1	GUIDE ASSEMBLY-LH -----							1	C
	1261420-9	GUIDE ASSEMBLY-LH -----							1	D
	1261420-6	GUIDE ASSEMBLY-RH -----							1	C
	1261420-12	GUIDE ASSEMBLY-RH -----							1	D
		ATTACHING PARTS -----								
-28	AN3-4A	BOLT -----							4	
	AN960-10	WASHER -----							4	
		-----*								
-29	1261420-5	RUB STRIP -----							1	
-30	AN960PD2	WASHER -----							1	
	NAS696A08	NUTPLATE LH GUIDE -----							3	D
	NAS696A08	NUTPLATE RH GUIDE -----						1	D	
	NAS697A08	NUTPLATE LH GUIDE -----						2	D	
	NAS697A08	NUTPLATE RH GUIDE -----						4	D	
-30A	127C054-1	BRACKET LH GUIDE -----							1	D
-31	S1080-4	GROMMET -----							1	
-32	1213049-1	BRACKET ASSEMBLY RH CONTROL ONLY INBOARD -----							1	
	NAS697A08	NUTPLATE -----							1	
	NAS696A08	NUTPLATE -----						1		
-33	1213049-2	BRACKET ASSEMBLY RH CONTROL ONLY OUTBOARD -----							1	
	NAS697A08	NUTPLATE -----							1	
-34	1213147-1	PLATE-INSTRUMENT PANEL RH CONTROL ONLY -----							1	C
	1213050-1	PLATE-INSTRUMENT PANEL RH CONTROL ONLY -----							1	D
-34A	1213084-1	PLATE-INSTRUMENT PANEL LH CONTROL ONLY -----						1	D	
		ATTACHING PARTS -----								
-35	AN507-832R8	SCREW -----							6	
		-----*								
-36	126C008-200 ***	TUBE ASSEMBLY-AILERON CONTROL -----							2	
		ATTACHING PARTS -----								
-37	AN310-5	NUT -----							1	
-38	AN960-516	WASHER -----							1	
-39	MS24665-136	PIN -----							1	
		-----*								
-40	076C651-2	GLIDE-AILERON CONTROL LH ONLY -----							1	C
	0760651-2	GLIDE-AILERON CONTROL RH ONLY -----							1	
	0760104-1	GLIDE-AILERON CONTROL LH ONLY -----							1	E
	075C00-1	GLIDE-AILERON CONTROL LH ONLY -----							1	F
	0760121-1	GLIDE-AILERON CONTROL LH ONLY -----							1	G
		ATTACHING PARTS -----								
-41	NAS220-14	SCREW -----							1	

CONTINUED ON NEXT PAGE



FIGURE AND INDEX NO.	PART NUMBER	DESCRIPTION							UNITS PER ASSY	USABLE ON CODE	
		1	2	3	4	5	6	7			
95 -41A	0760681-1		PLUG	LH ONLY					1	C	
	0760681-1		PLUG	RH ONLY					1		
	0760104-2		PLUG	LH ONLY					1	E	
	0760681-2		PLUG	LH ONLY					1	F	
	0760104-2		PLUG	LH ONLY					1	G	
			-----*								
-42	1260033-3	*	QUADRANT-AILERON CONTROL LH						1		
-43	1260033-4	*	QUADRANT-AILERON CONTROL RH						1		
			ATTACHING PARTS								
-44	NAS561-6-18		PIN-SLOTTED						1		
			-----*								
-45	1260137-2		BRACKET						1		
-46	1260135-1		GUARD						1		
-47	1260136-1		GUARD						1		
-48	0760633-1		BLOCK ASSEMBLY-BEARING						3		
			ATTACHING PARTS								
-49	AN515-8R10		SCREW						2		
-50	NAS679A08		NUT						2		
			-----*								
-51	0760649-3		SHAFT						1		
			ATTACHING PARTS								
-52	AN310-5		NUT						1		
-53	AN960-516		WASHER						1		
-54	MS24665-136		PIN						1		
			-----*								
-55	1260136-2		GUARD						1		
	1260135-2		GUARD						1		
	1260006-5		GUARD						1		
-56	1260078-3		INTERCONNECT-CONTROL WHEEL						1		
	1260078-103		INTERCONNECT-CONTROL WHEEL STAINLESS STEEL						1		
	1260078-8	**	INTERCONNECT-CONTROL WHEEL						1	C	
	1260078-108	**	INTERCONNECT-CONTROL WHEEL STAINLESS STEEL						1	D	
-57	1260078-2		INTERCONNECT-CONTROL WHEEL						1	A	
	1260078-102		INTERCONNECT-CONTROL WHEEL STAINLESS STEEL						1	A	
	1260078-7	**	INTERCONNECT-CONTROL WHEEL						1	B	
	1260078-107	**	INTERCONNECT-CONTROL WHEEL STAINLESS STEEL						1	B	
			ATTACHING PARTS								
-58	AN310-3		NUT						1		
-59	MS24665-71		PIN-COTTER						1		
-60	AN155-32S		BARREL						1		
			-----*								
-61	1260429-1		TUBE-TORQUE						1		
-62	1260438-1		TUBE-RUB PROTECTION						1		
-63	1260425-1		ARM ASSEMBLY-RH						1		
-64	1260430-1		ARM ASSEMBLY-LH						1		
			ATTACHING PARTS								
-65	NAS220-22		SCREW						2		
-66	NAS679A08		NUT						2		
-67	NAS222-14		SCREW						1		
	NAS679A4		NUT						1		
			-----*								
-68	120905-3		CABLE ASSEMBLY						1	A	
	1260078-5	**	CABLE ASSEMBLY						1	B	
	1260078-105	**	CABLE ASSEMBLY STAINLESS STEEL						1	B	
			ATTACHING PARTS								
	AN310-3		NUT						2	A	
	NAS679A3		NUT						2	B	
	MS24665-71		PIN-COTTER						2	A	
			-----*								
-69	0760101-3		RETAINER RH CONTROL ONLY						1		
			ATTACHING PARTS								
-70	S1021Z8-6		SCREW						2		
			-----*								

CONTINUED ON NEXT PAGE

FIGURE AND INDEX NO.	PART NUMBER	DESCRIPTION	UNITS PER ASSY	USABLE ON CODE
95 -		<p style="text-align: center;">1 2 3 4 5 6 7</p> <p>NOTE. *WHEN INITIALLY ORDERING THIS PART FOR AIRPLANES PRIOR TO SERIAL 21058830 & T210-0241, ALSO ORDER THE OPPOSITE QUADRANT, PARTS MARKED ** & 2 1260078-9 CABLE ASSEMBLIES ON FIGURE 96.</p> <p>NOTE. ***WHEN INITIALLY ORDERING THIS PART FOR AIRPLANES PRIOR TO 21058936 & T210-0307, ALSO ORDER 4 0523921-1 ROLLER ASSEMBLIES & 8 NAS43DC6-3 SPACERS.</p> <p>NOTE. %USED ON TUBE & BEARING ASSEMBLIES THAT CONTACT WITH THE SQUARE GLIDE TUBE ASSEMBLY THAT MEASURES .750 O.D.</p> <p>NOTE. %%USED ON TUBE & BEARING ASSEMBLIES THAT CONTACT WITH THE SQUARE GLIDE TUBE ASSEMBLY THAT MEASURES .660 O.D.</p> <p>A---210 SERIAL 21058819 THRU 21058829 T210 SERIAL T210-0198 THRU T210-0240</p> <p>B---210 SERIAL 21058830 & ON T210 SERIAL T210-0241 & ON</p> <p>C---210 SERIAL 21058819 THRU 21058936 T210 SERIAL T210-0198 THRU T210-0307</p> <p>D---210 SERIAL 21058937 & ON T210 SERIAL T210-0308 & ON</p> <p>E---210 SERIAL 21058937 THRU 21058941</p> <p>F---210 SERIAL 21058942 THRU 21059021 T210 SERIAL T210-0308 THRU T210-0376</p> <p>G---210 SERIAL 21059022 & ON T210 SERIAL T210-0377 & ON</p> <p>H---210 SERIAL 21058937 THRU 21059061 T210 SERIAL T210-0308 THRU T210-0392</p> <p>J---210 SERIAL 21059062 & ON T210 SERIAL T210-0393 & ON</p>		

FIGURE AND INDEX NO.	PART NUMBER	DESCRIPTION	UNITS PER ASSY	USABLE ON CODE
96 -		1 2 3 4 5 6 7 AILERON CONTROL SYSTEM INSTALLATION -----	NP	
- 1	126C078-4	CABLE ASSEMBLY-AILERON DIRECT -----	2	A
	126C078-104	CABLE ASSEMBLY-AILERON DIRECT -----	2	A
	126C078-9	CABLE ASSEMBLY-AILERON DIRECT STAINLESS STEEL -----	2	B
	126C078-109	CABLE ASSEMBLY-AILERON DIRECT STAINLESS STEEL -----	2	B
	AN310-3	ATTACHING PARTS -----		
	MS24665-71	NUT -----	2	
- 2	AN155B32S	PIN-COTTER -----	2	
		BARREL -----	2	
		-----*		
- 3	1260505-40	CABLE ASSEMBLY-AILERON DIRECT -----	2	
	1260505-140	CABLE ASSEMBLY-AILERON DIRECT STAINLESS STEEL -----	2	
		ATTACHING PARTS -----		
- 4	AN23-11	BOLT -----	2	
- 5	AN310-3	NUT -----	2	
	MS24665-134	PIN-COTTER -----	2	
		-----*		
CONTINUED ON NEXT PAGE				

Flight Controls (Cont)

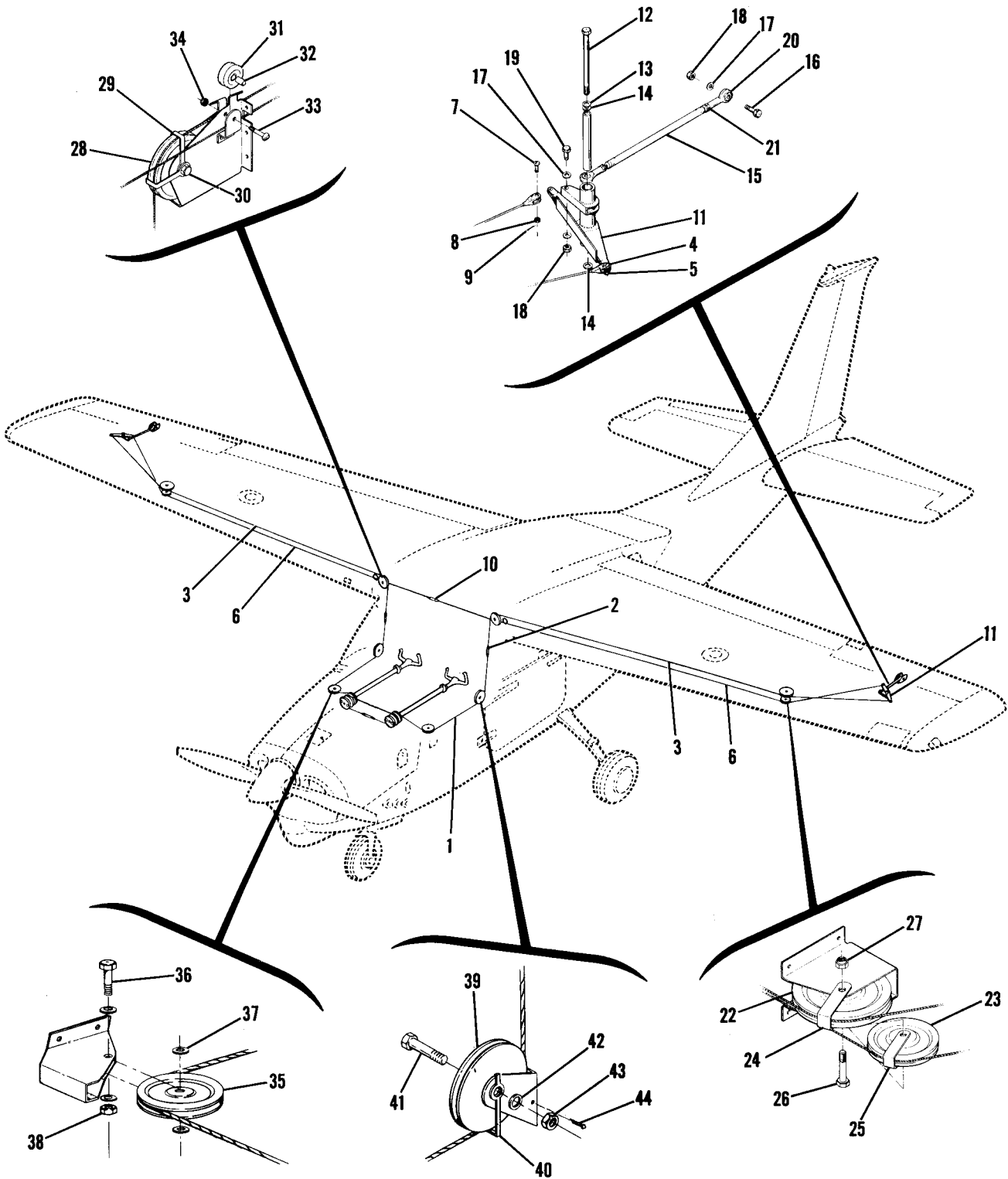
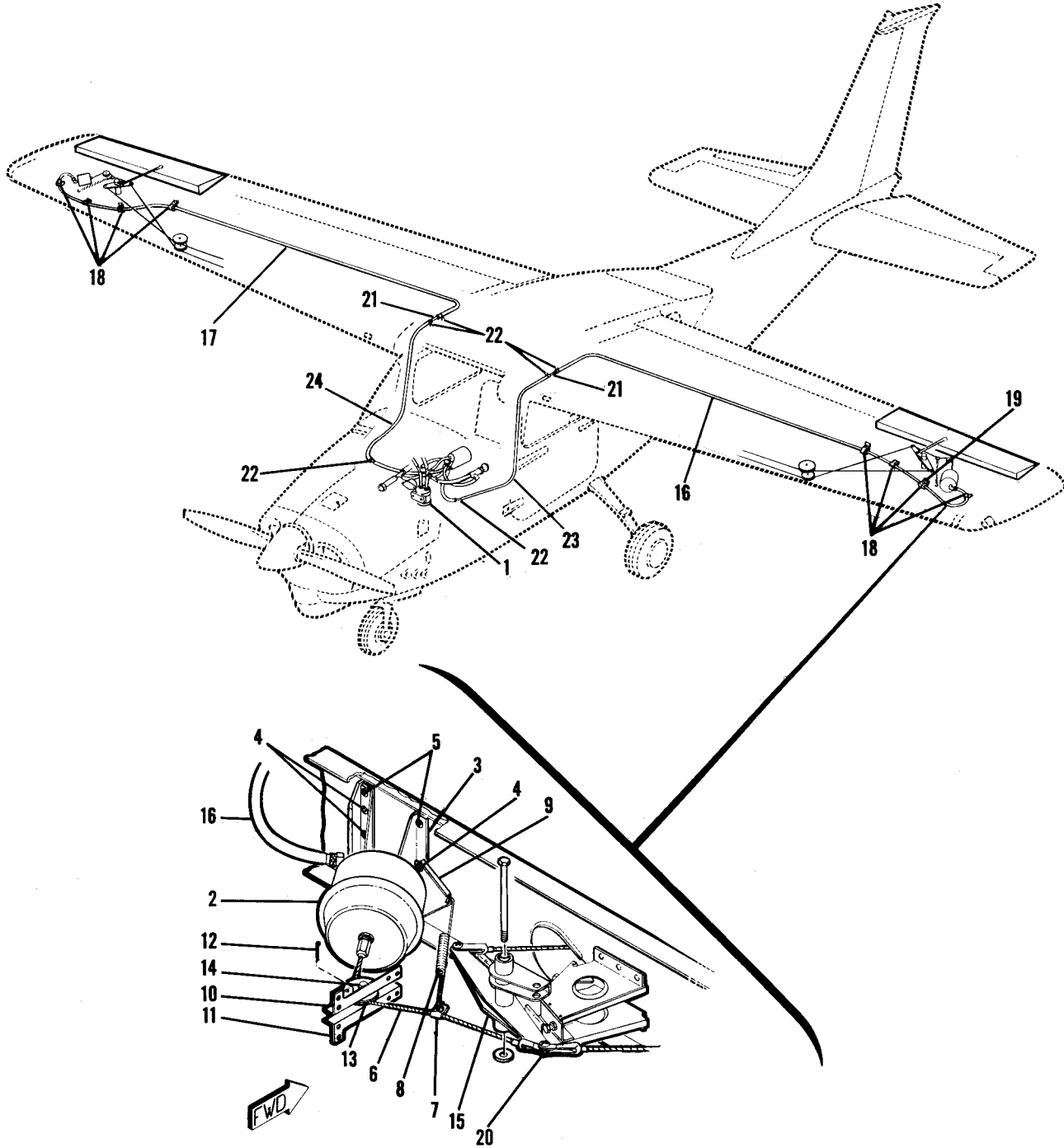


Figure 96. Aileron Control System Installation



FIGURE AND INDEX NO.	PART NUMBER	DESCRIPTION	UNITS PER ASSY	USABLE ON CODE
96 - 6	1260505-38	CABLE ASSEMBLY-AILERON RETURN LH -----	1	
	1260505-138	CABLE ASSEMBLY-AILERON RETURN LH STAINLESS STEEL -----	1	
	1260505-39	CABLE ASSEMBLY-AILERON RETURN RH -----	1	
	1260505-139	CABLE ASSEMBLY-AILERON RETURN RH STAINLESS STEEL -----	1	
		ATTACHING PARTS		
- 7	AN23-11	BOLT -----	2	
- 8	AN310-3	NUT -----	2	
- 9	MS24665-134	PIN-COTTER -----	2	
-10	AN155832S	BARREL -----	1	
		---*---		
-11	1221087-1	BELLCRANK ASSEMBLY-AILERON LH -----	1	
	1221087-2	BELLCRANK ASSEMBLY-AILERON RH -----	1	
		ATTACHING PARTS		
-12	AN4-40A	BOLT -----	1	
-13	AN960-416	WASHER -----	1	
-14	0522629	WASHER -----	2	
		---*---		
-15	1221113-3	RCD ASSEMBLY -----		
		ATTACHING PARTS		
-16	AN4-7A	BOLT -----	1	
-17	AN960-416	WASHER -----	2	
-18	NAS679A4	NUT -----	2	
-19	AN4-7A	BOLT -----	1	
		---*---		
-20	S1819-4	ROD END -----	1	
-21	AN316-4R	NUT -----	1	
-22	MS20220-3	PULLEY-AILERON DIRECT -----	2	
-23	MS20220-2	PULLEY-AILERON RETURN -----	2	
-24	1221086-3	GUARD-CABLE AILERON DIRECT -----	2	
-25	1221086-2	GUARD-CABLE AILERON RETURN -----	2	
		ATTACHING PARTS		
-26	AN5-17A	BOLT -----	1	
-27	NAS679A5	NUT -----	1	
		---*---		
-28	MS20220-2	PULLEY-AILERON DIRECT -----	2	
-29	0760610-1	GUARD-CABLE -----	4	
		ATTACHING PARTS		
-30	AN5-13A	BOLT -----	2	
	AN960-516	WASHER -----	2	
	NAS679A5	NUT -----	2	
		---*---		
-31	S394	PULLEY -----	2	
-32	C411783	BUSHING -----	2	
		ATTACHING PARTS		
-33	AN23-13	BOLT-CLEVIS -----	2	
-34	AN310-3	NUT -----	2	
	MS24665-132	PIN-COTTER -----	2	
		---*---		
-35	S378-4	PULLEY -----	2	
		ATTACHING PARTS		
-36	AN4-10A	BOLT -----	1	
-37	AN960-416	WASHER -----	4	
-38	NAS679A4	NUT -----	2	
		---*---		
-39	MS24665-285	PIN-COTTER -----	4	
	MS20220-2	PULLEY -----	2	
		ATTACHING PARTS		
-40	0760610-3	GUARD-CABLE -----	1	
-41	AN5-12A	BOLT -----	1	
-42	AN960-516L	WASHER -----	1	
-43	NAS679A5	NUT -----	1	
		---*---		
-44	MS24665-285	PIN-COTTER -----	2	
		A---210 SERIAL 21058819 THRU 21058829 T210 SERIAL T210-0198 THRU T210-0240 B---210 SERIAL 21058830 & ON T210 SERIAL T210-0241 & ON		

Flight Controls (Cont)

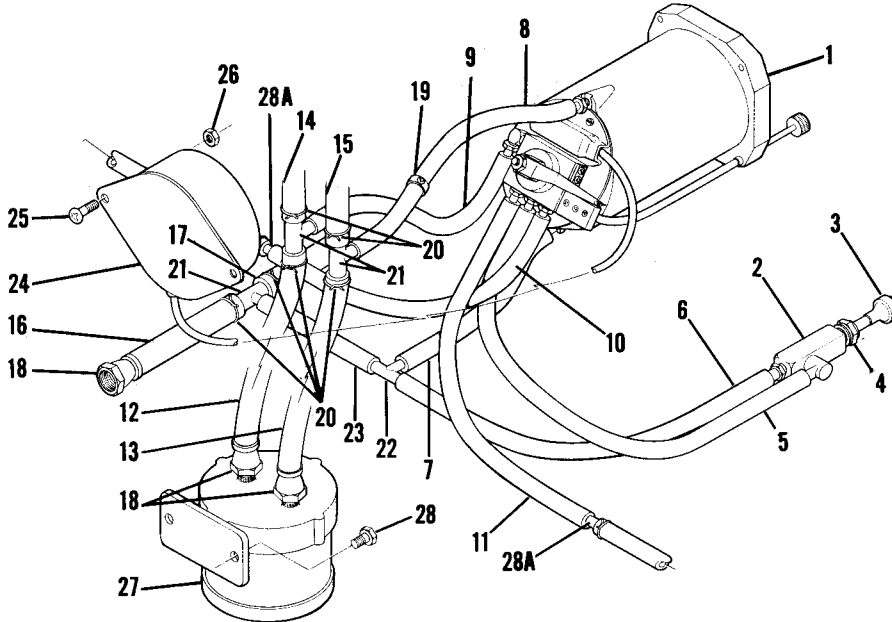


**210 SERIAL 21058937 & ON
T210 SERIAL T210-0308 & ON**

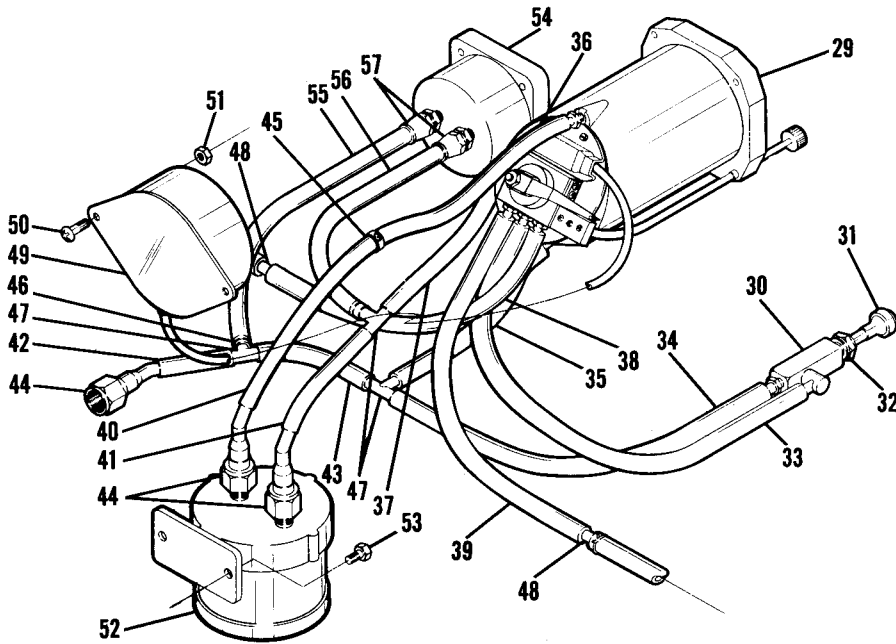
Figure 96A. Wings Leveler Installation

FIGURE AND INDEX NO.	PART NUMBER	DESCRIPTION	UNITS PER ASSY	USABLE ON CODE
		1 2 3 4 5 6 7		
96A-		WING LEVELER INSTALLATION -----	NP	A
- 1	SEE FIG. 96B	WING LEVELER COMPONENTS -----	1	
	SEE FIG. 110A	210 SERIAL	1	
- 2	1220-1-0	GYROS INSTALLATION -----	1	
		SERVO ASSEMBLY BTID -----	2	
		21058937 & ON		
	NAS679A5	ATTACHING PARTS -----	1	
	S1450-5A15-050	NUT -----	2	
		WASHER -----		
		---*---		
- 3	1222011-1	BRACKET-AILERON SERVO LH WING -----	1	
	1222011-2	BRACKET-AILERON SERVO RH WING -----	1	
		T210 SERIAL		
		T210-0308 & ON		
		ATTACHING PARTS -----		
- 4	NAS220-7	SCREW -----	4	
- 5	NAS220-9	SCREW -----	4	
		---*---		
- 6	0422358-2	CABLE ASSEMBLY -----	2	
- 7	1222015-1	CLAMP -----	1	
	NAS679A04	NUT -----	1	
	AN515-4R5	SCREW -----	1	
- 8	1222016-1	SPRING -----	2	
		ATTACHING PARTS -----		
- 9	1222014-1	BRACKET-LH WING -----	1	
	1222014-2	BRACKET-RH WING -----	1	
		---*---		
-10	1222010-1	BRACKET-AILERON PULLEY -----	2	
-11	1222010-2	BRACKET-AILERON PULLEY -----	2	
-12	MS24665-134	PIN-COTTER -----	4	
-13	S378-1L	PULLEY -----	2	
		ATTACHING PARTS -----		
-14	AN3-5A	BOLT -----	1	
	AN960-10L	WASHER -----	2	
	NAS679A3	NUT -----	1	
		---*---		
-15	SEE FIG. 96	BELLCRANK ASSEMBLY-LH WING -----	1	
	SEE FIG. 96	BELLCRANK ASSEMBLY-LH WING -----	1	
-16	S1071R3	HOSE-POLYETHYLENE* IN LENGTH BULK ITEM REF S1071R3-*	1	
-17	S1071G3	HOSE-POLYETHYLENE* IN LENGTH BULK ITEM REF S1071G3--	1	
-18	S1592-2A	BAND -----	8	
		ATTACHING PARTS -----		
-19	S1021A6-8	SCREW -----	8	
		---*---		
-20	AN23-11	BOLT -----	1	
	AN310-3	NUT -----	1	
	MS24665-134	PIN-COTTER -----	1	
-21	S1794-1	UNION -----	2	
-22	S1494-6	CLAMP -----	6	
-23	S1071R3	HOSE-POLYETHYLENE* IN LENGTH BULK ITEM REF S1071R3-*	1	
-24	S1071G3	HOSE-POLYETHYLENE* IN LENGTH BULK ITEM REF S1071G3-*	1	
<p>NOTE. *LENGTH TO BE DETERMINED LATER</p> <p>A---210 SERIAL 21058937 & ON T210 SERIAL T210-0308 & ON</p>				

Flight Controls (Cont)



USED WITH GYROS



USED WITHOUT GYROS

210 SERIAL 21058937 & ON
T210 SERIAL T210-0308 & ON

Figure 96B. Wing Leveler Components



FIGURE AND INDEX NO.	PART NUMBER	DESCRIPTION	UNITS PER ASSY	USABLE ON CODE
96B-		WING LEVELER COMPONENTS USED WITH GYROS		
- 1	2904-1	TURN COORDINATOR BTID	NP	A
		ATTACHING PARTS	1	
	AN515B6R16	SCREW	3	
	AN340B6	NUT	3	
		-----*		
	MS3106A10SL3S	CONNECTOR TURN COORDINATOR POWER	1	
	TVA	CAPACITOR SPR ACROSS TURN COORDINATOR POWER	1	
- 2	S1791-1	VALVE ASSEMBLY-ON-OFF	1	
- 3	S1760-1	KNOB-VALVE ASSEMBLY	1	
- 4	AN960PD616	WASHER	AR	
- 5	S1800-1	HOSE* IN LENGTH BULK ITEM REF S1800-1-*	1	
- 6	S1800-1	HOSE* IN LENGTH BULK ITEM REF S1800-1-*	1	
- 7	S1800-1	HOSE* IN LENGTH BULK ITEM REF S1800-1-*	1	
- 8	S1800-1	HOSE* IN LENGTH BULK ITEM REF S1800-1-*	1	
- 9	S1800-1	HOSE* IN LENGTH BULK ITEM REF S1800-1-*	1	
-10	S1800-1	HOSE* IN LENGTH BULK ITEM REF S1800-1-*	1	
-11	S1800-1	HOSE* IN LENGTH BULK ITEM REF S1800-1-*	1	
-12	S1495-6	HOSE* IN LENGTH BULK ITEM REF S1499-6L-*	1	
-13	S1495-6	HOSE* IN LENGTH BULK ITEM REF S1499-6L-*	1	
-14	S1495-6	HOSE* IN LENGTH BULK ITEM REF S1499-6L-*	1	
-15	S1495-6	HOSE* IN LENGTH BULK ITEM REF S1499-6L-*	1	
-16	S1495-6	HOSE* IN LENGTH BULK ITEM REF S1499-6L-*	1	
-17	S1495-6	HOSE* IN LENGTH BULK ITEM REF S1499-6L-*	1	
-18	S1497-6	FITTING-SOCKETLESS	6	
-19		RESTRICTOR VALVE PART OF 2904-1 TURN COORDINATOR	NP	
-20	S1494-9	CLAMP	6	
-21	S1793-2	TEE	3	
-22	S1793-1	TEE	1	
-23	S1800-1	HOSE* IN LENGTH BULK ITEM REF-S1800-1-*	1	
-24		INVERTER PART OF 2904-1 TURN COORDINATOR	NP	
		ATTACHING PARTS		
-25	AN515-8R6	SCREW	2	
-26	NAS679A08	NUT	2	
		-----*		
-27	C294501-0101	FILTER ASSEMBLY	1	
		ATTACHING PARTS		
-28	AN3-3A	BOLT	2	
		-----*		
-28A	S1794-1	UNION	2	
		WING LEVELER COMPONENTS USED WITHOUT GYROS	NP	A
-29	2904-1	TURN COORDINATOR BTID	1	
		ATTACHING PARTS		
	AN515B6R16	SCREW	3	
	AN340B6	NUT	3	
		-----*		
	MS3106A10SL3S	CONNECTOR TURN COORDINATOR POWER	1	
	TVA	CAPACITOR SPR ACROSS TURN COORDINATOR POWER	1	
-30	S1791-1	VALVE ASSEMBLY-ON-OFF	1	
-31	S1760-1	KNOB-VALVE ASSEMBLY	1	
-32	AN960PD616	WASHER	AR	
-33	S1800-1	HOSE* IN LENGTH BULK ITEM REF S1800-1-*	1	
-34	S1800-1	HOSE* IN LENGTH BULK ITEM REF S1800-1-*	1	
-35	S1800-1	HOSE* IN LENGTH BULK ITEM REF S1800-1-*	1	
-36	S1800-1	HOSE* IN LENGTH BULK ITEM REF S1800-1-*	1	
-37	S1800-1	HOSE* IN LENGTH BULK ITEM REF S1800-1-*	1	
-38	S1800-1	HOSE* IN LENGTH BULK ITEM REF S1800-1-*	1	
-39	S1800-1	HOSE* IN LENGTH BULK ITEM REF S1800-1-*	1	
-40	S1800-1	HOSE* IN LENGTH BULK ITEM REF S1800-1-*	1	
-41	S1800-1	HOSE* IN LENGTH BULK ITEM REF S1800-1-*	1	
-42	S1800-1	HOSE* IN LENGTH BULK ITEM REF S1800-1-*	1	
-43	S1800-1	HOSE* IN LENGTH BULK ITEM REF S1800-1-*	1	
-44	17013039-1	ELBOW ASSEMBLY	3	
-45		RESTRICTOR VALVE PART OF 2904-1 TURN COORDINATOR	NP	
-46	S1693-2	CLAMP	2	
-47	S1793-1	TEE	3	
-48	S1794-1	UNION	2	

CONTINUED ON NEXT PAGE

FIGURE AND INDEX NO.	PART NUMBER	DESCRIPTION	UNITS PER ASSY	USABLE ON CODE
96B-49		INVERTER PART OF 2904-1 TURN COORDINATOR ----- ATTACHING PARTS -----	NP	
-50	AN515-8R6	SCREW -----	2	
-51	NAS679A08	NUT ----- ---*---	2	
-52	C294501-0101	FILTER ASSEMBLY ----- ATTACHING PARTS -----	1	
-53	AN3-3A	BOLT ----- ---*---	2	
-54	S1414N1	GAGE-SUCTION ----- ATTACHING PARTS -----	1	
	AN515B6R12	SCREW ----- ---*---	4	
-55	S1495-4	HOSE* IN LENGTH BULK ITEM REF S1499-4J-* -----	1	
-56	S1495-4	HOSE* IN LENGTH BULK ITEM REF S1499-4J-* -----	1	
-57	S1497-4	FITTING-SOCKETLESS -----	2	
NOTE. *LENGTH TO BE DETERMINED LATER				
A---210 SERIAL 21058937 & ON T210 SERIAL T210-0308 & ON				

This page intentionally left blank.

Flight Controls (Cont)

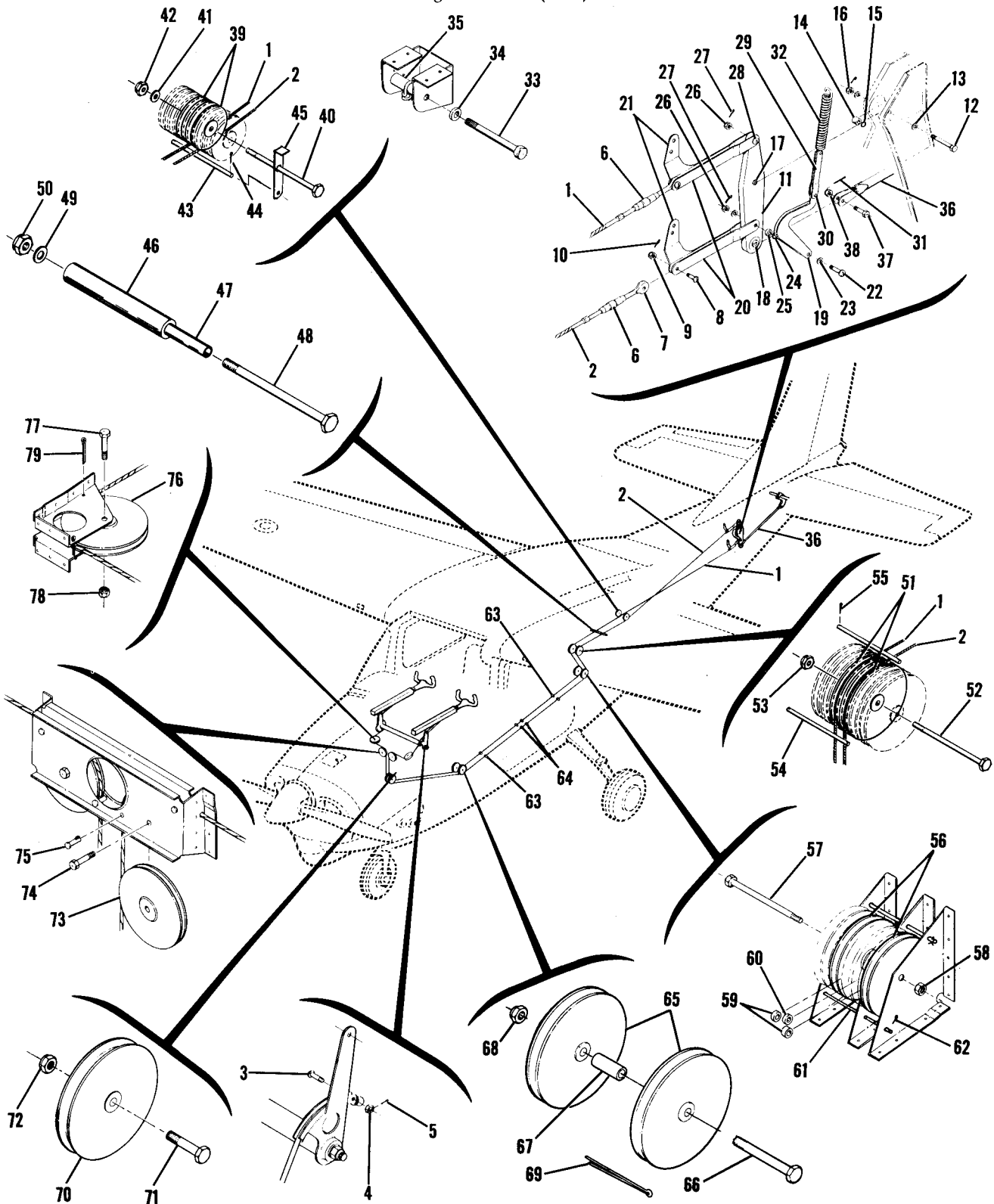


Figure 97. Elevator Control System Installation

FIGURE AND INDEX NO.	PART NUMBER	DESCRIPTION	UNITS PER ASSY	USABLE ON CODE
		1 2 3 4 5 6 7		
97 -		ELEVATOR CONTROL SYSTEM INSTALLATION -----	NP	
- 1	1260505-32	CABLE ASSEMBLY-ELEVATOR DOWN -----	1	
	1260505-132	CABLE ASSEMBLY-ELEVATOR DOWN STAINLESS STEEL -----	1	
- 2	1260505-33	CABLE ASSEMBLY-ELEVATOR UP -----	1	
	1260505-133	CABLE ASSEMBLY-ELEVATOR UP STAINLESS STEEL -----	1	
		ATTACHING PARTS		
- 3	AN21-10	SCREW -----	1	
- 4	AN320-1	NUT -----	1	
- 5	MS24665-24	PIN-COTTER -----	1	
- 6	AN155B32S	BARREL -----	1	
- 7	AN165-22RS	EYE -----	1	
- 8	AN23-10	BOLT -----	1	
- 9	AN310-3	NUT -----	1	
-10	MS24665-134	PIN-COTTER -----	1	
		*-----		
-11	1260080-1	BELLCRANK ASSEMBLY -----	1	
		ATTACHING PARTS		
-12	AN4-16A	BOLT -----	1	
-13	AN960D416L	WASHER -----	2	
-14	NAS43DD4-30	SPACER -----	1	
-15	AN960-416	WASHER -----	1	
-16	NAS679A4	NUT -----	1	
		*-----		
-17	MS24461-4	BEARING -----	1	
-18	MS20200KP4	BEARING -----	1	
-19	1260083-1	ARM ASSEMBLY-ELEVATOR DOWN SPRING -----	1	
-20	1260442-1	LINK -----	2	
-21	1260649-1	LINK-ELEVATOR CABLE -----	2	
-22	AN24-21A	BOLT -----	1	
-23	AN960D416L	WASHER -----	2	
-24	AN960-416D	WASHER -----	1	
-25	NAS43DD4-20	SPACER -----	1	
-26	AN320-4	NUT -----	2	
-27	MS24665-134	PIN-COTTER -----	1	
-28	AN24-14	BOLT -----	1	
-29	1260086-1	LINK-DOWN SPRING -----	2	
		ATTACHING PARTS		
-30	1260087-1	PIN -----	1	
-31	MS24665-132	PIN-COTTER -----	1	
		*-----		
-32	1260091-1	SPRING -----	1	
-33	AN4-16A	BOLT -----	1	
-34	NAS43DD4-25	SPACER -----	1	
-35	NAS43DD4-47	SPACER -----	1	
-36	C510111-11	TUBE ASSEMBLY-PUSH PULL -----	1	A
	C510111-13	TUBE ASSEMBLY-PUSH PULL -----	1	B
		ATTACHING PARTS		
-37	AN4-10A	BOLT -----	1	
-38	NAS679A4	NUT -----	1	
		*-----		
-39	S378-3L	PULLEY -----	2	
		ATTACHING PARTS		
-40	AN4-34A	BOLT -----	1	
-41	AN960-416	WASHER -----	1	
-42	NAS679A4	NUT -----	1	
		*-----		
-43	120C017-1	PIN-CABLE GUARD -----	1	
		ATTACHING PARTS		
-44	MS24665-132	PIN-COTTER -----	2	
		*-----		
-45	126C032-1	GUARD-CONTROL CABLE -----	2	

CONTINUED ON NEXT PAGE

FIGURE AND INDEX NO.	PART NUMBER	DESCRIPTION	UNITS PER ASSY	USABLE ON CODE
97 -46	I26C031-1	ROLLER-PULLEY ----- ATTACHING PARTS -----	1	
-47	I26CC30-1	SPACER-PULLEY -----	1	
-48	AN3-33A	BOLT -----	1	
-49	AN960-10L	WASHER -----	1	
-50	NAS679A3	NUT ----- *-----	1	
-51	S378-4	PULLEY ----- ATTACHING PARTS -----	2	
-52	AN4-33A	BOLT -----	1	
-53	NAS679A4	NUT ----- *-----	1	
-54	I2C0017-1	PIN-CABLE GUARD -----	2	
-55	MS24665-132	PIN-COTTER -----	4	
-56	S378-4	PULLEY ----- ATTACHING PARTS -----	2	
-57	AN4-36A	BOLT -----	1	
-58	NAS679A4	NUT ----- *-----	1	
-59	NAS43DD4-9	SPACER -----	2	
-60	NAS43DD4-7	SPACER -----	1	
-61	I2C0017-2	PIN-CABLE GUARD -----	2	
-62	MS24665-132	PIN-COTTER -----	4	
-63	S338-9	FAIRLEAD HALF -----	8	
	S339-3	CLIP -----	4	
-64	S338-5	FAIRLEAD HALF -----	8	
	S339-3	CLIP -----	4	
-65	S378-4	PULLEY ----- ATTACHING PARTS -----	2	
-66	AN4-20A	BOLT -----	1	
-67	NAS43HT4-41	SPACER -----	1	
-68	NAS679A4	NUT ----- *-----	1	
-69	MS24665-143	PIN-COTTER -----	1	
-70	S378-4	PULLEY ----- ATTACHING PARTS -----	2	
-71	AN4-10A	BOLT -----	1	
-72	NAS679A4	NUT ----- *-----	1	
-73	S378-4	PULLEY ----- ATTACHING PARTS -----	2	
-74	AN4-10A	BOLT ----- *-----	1	
-75	NAS427K9	PIN-CABLE GUARD -----	2	
-76	S378-4	PULLEY ----- ATTACHING PARTS -----	2	
-77	AN4-10A	BOLT -----	1	
-78	NAS679A4	NUT ----- *-----	1	
-79	MS24665-283	PIN-COTTER -----	2	
		A---210 SERIAL 21058819 THRU 21058936 T210 SERIAL T210-0198 THRU T210-0307 B---210 SERIAL 21058937 & ON T210 SERIAL T210-0308 & ON		

FIGURE AND INDEX NO.	PART NUMBER	DESCRIPTION	UNITS PER ASSY	USABLE ON CODE
98 -		ELEVATOR TRIM CONTROL SYSTEM INSTALLATION -----	NP	
- 1	1260422-1	WHEEL ASSEMBLY-ELEVATOR TRIM -----	1	
	S1003-69A	BUSHING -----	1	
	1260604-1	INDICATOR-ELEVATOR TRIM -----	1	
- 2	1260420-1	SPROCKET-IDLER -----	2	
		ATTACHING PARTS		
- 3	AN3-16A	BOLT -----	1	
- 4	AN960-10L	WASHER -----	2	
- 5	NAS75-3-107	BUSHING -----	1	
- 6	NAS679A3	NUT -----	1	
		---*---		
- 7	S1003-69A	BUSHING -----	2	
- 8	C432138-14	CHAIN-ELEVATOR TAB -----	1	
- 9	1260421-1	SPROCKET-DRIVE -----	1	
		ATTACHING PARTS		
-10	AN3-53A	BOLT -----	1	
-11	NAS75-3-130	BUSHING -----	1	
-12	NAS679A3	NUT -----	1	
-12A	NAS43HT5-147	SPACER -----	1	
-12B	NAS75-3-230	BUSHING -----	1	
-12C	AN960-516	WASHER -----	1	
		---*---		
-13	S1003-69A	BUSHING -----	2	
-14	C432138-17	CHAIN-ELEVATOR TAB -----	1	
-15	0761210-4	SPROCKET ASSEMBLY -----	2	
		ATTACHING PARTS		
-16	AN3-11A	BOLT -----	1	
-17	AN960-416	WASHER -----	1	
-18	C411491-1	BUSHING -----	1	
-19	NAS679A3	NUT -----	1	
		---*---		
-20	S1003-10B	BEARING -----	1	
-21	S378-1L	PULLEY -----	2	
		ATTACHING PARTS		
-22	AN3-11A	BOLT -----	1	
-23	NAS43HT3-6	SPACER -----	1	
-24	NAS679A3	NUT -----	1	
		---*---		
-25	MS20392-1C5	PIN-FLAT HEAD CABLE GUARD -----	1	
	MS24665-132	PIN-COTTER -----	1	
-26	1260505-22	CABLE ASSEMBLY-ELEVATOR TRIM FORWARD RH -----	1	
	1260505-122	CABLE ASSEMBLY-ELEVATOR TRIM FORWARD RH STAINLESS STEEL -----	1	
-27	1260505-35	CABLE ASSEMBLY-ELEVATOR TRIM FORWARD LH -----	1	
	1260505-135	CABLE ASSEMBLY-ELEVATOR TRIM FORWARD LH STAINLESS STEEL -----	1	
		ATTACHING PARTS		
-28	AN155B8S	BARREL RH ONLY -----	1	
-29	AN3-3A	BOLT LH ONLY -----	1	
-30	NAS679A3	NUT LH ONLY -----	1	
		---*---		

CONTINUED ON NEXT PAGE

Flight Controls (Cont)

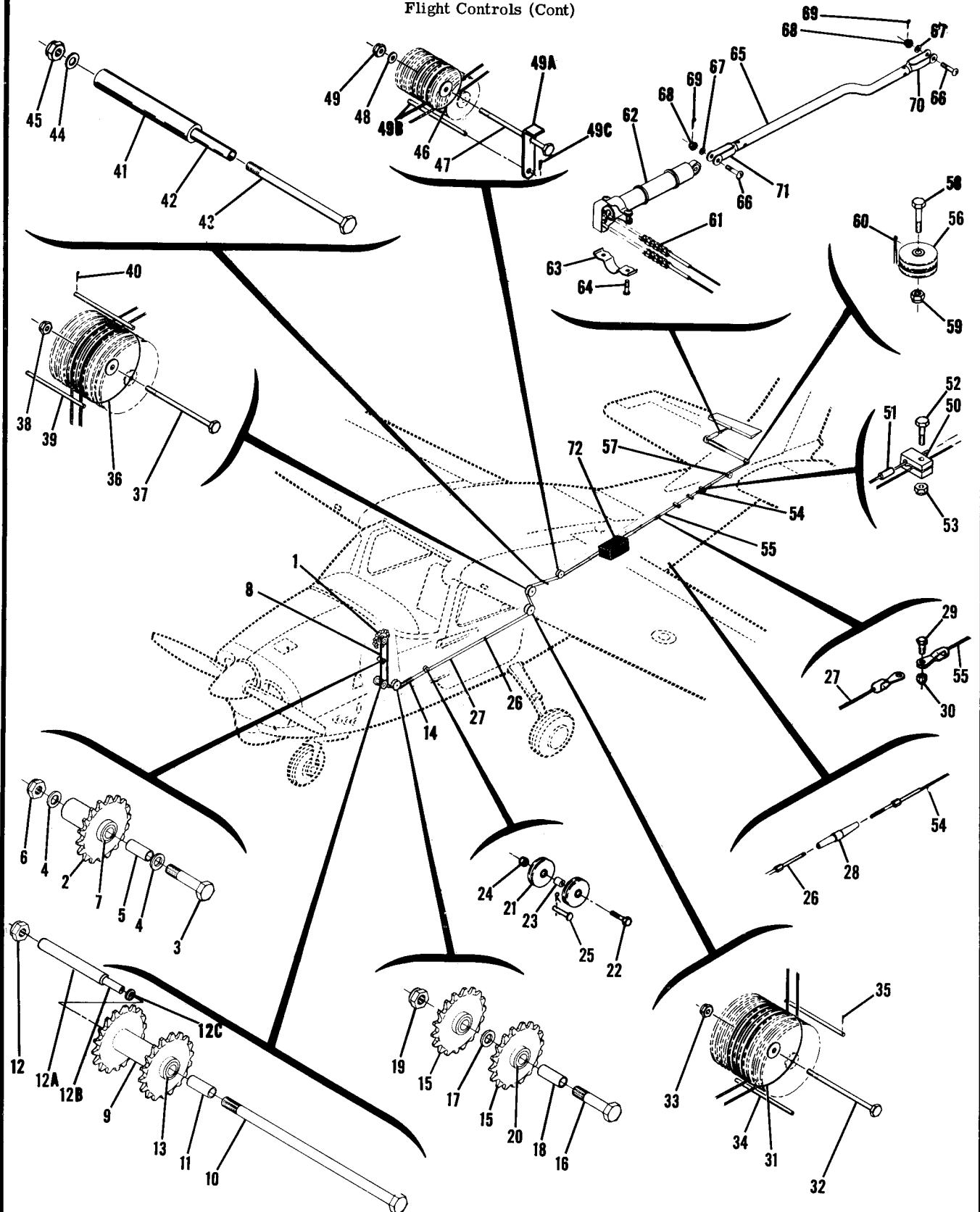
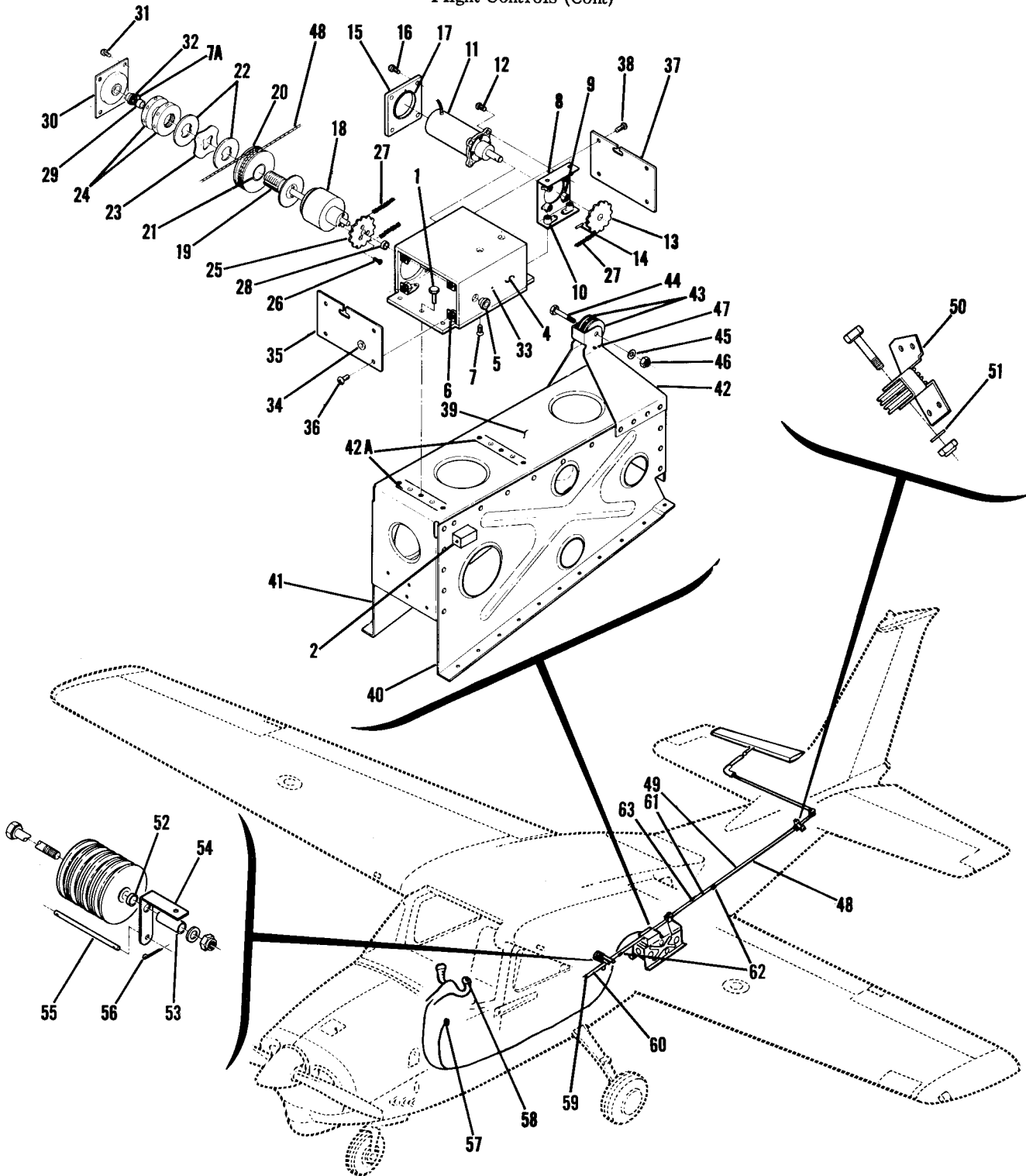


Figure 98. Elevator Trim Control System Installation

FIGURE AND INDEX NO.	PART NUMBER	DESCRIPTION	UNITS PER ASSY	USABLE ON CODE
		1 2 3 4 5 6 7		
98 -31	S378-4	PULLEY-CABLE ----- ATTACHING PARTS -----	2	
-32	AN4-36A	BOLT -----	1	
-33	NAS679A4	NUT ----- ---*---	1	
-34	12CC017-2	PIN-CABLE GUARD ----- ATTACHING PARTS -----	2	
-35	MS24665-132	PIN-COTTER ----- ---*---	2	
-36	S378-4	PULLEY ----- ATTACHING PARTS -----	2	
-37	AN4-33A	BOLT -----	1	
-38	NAS679A3	NUT ----- ---*---	1	
-39	12CC017-1	PIN-CABLE GUARD ----- ATTACHING PARTS -----	3	
-40	MS24665-132	PIN-COTTER ----- ---*---	2	
-41	126C031-1	ROLLER-PULLEY ----- ATTACHING PARTS -----	1	
-42	126C030-1	SPACER-PULLEY -----	1	
-43	AN3-33A	BOLT -----	1	
-44	AN960-10L	WASHER -----	1	
-45	NAS679A3	NUT ----- ---*---	1	
-46	S378-3L	PULLEY-CABLE ----- ATTACHING PARTS -----	2	
-47	AN4-34A	BOLT -----	1	
-48	AN960-416	WASHER -----	1	
-49	NAS679A4	NUT -----	1	
-49A	1260032-1	GUARD -----	2	
-49B	12CC017-1	PIN -----	1	
-49C	MS24665-132	PIN-COTTER ----- ---*---	2	
-50	C411523	BLOCK-ELEVATOR TAB STOP ----- ATTACHING PARTS -----	3	
-51	C411524	BUSHING -----	1	
-52	AN3-6A	BOLT -----	1	
-53	NAS679A3	NUT ----- ---*---	1	
-54	1260505-45	CABLE ASSEMBLY-ELEVATOR TRIM AFT RH -----	1	
	1260505-145	CABLE ASSEMBLY-ELEVATOR TRIM AFT RH STAINLESS STEEL -----	1	
-55	1260505-46	CABLE ASSEMBLY-ELEVATOR TRIM AFT LH -----	1	
	1260505-146	CABLE ASSEMBLY-ELEVATOR TRIM AFT LH STAINLESS STEEL -----	1	
-56	S378-1	PULLEY-CABLE -----	2	
-57	S378-1L	PULLEY-CABLE ----- ATTACHING PARTS -----	2	
-58	AN3-10A	BOLT -----	1	
-59	NAS679A3	NUT ----- ---*---	1	
-60	MS24665-136	PIN-COTTER -----	2	
-61	C432138-19	CHAIN-ELEVATOR TAB -----	1	
-62	SEE FIG 99	ACTUATOR ASSEMBLY-ELEVATOR TRIM ----- ATTACHING PARTS -----	1	
-63	C432126	CLAMP -----	2	
-64	AN520-10R8	SCREW ----- ---*---	4	
-65	1260065-8	TUBE ASSEMBLY-ELEVATOR TRIM TAB ACTUATOR ----- ATTACHING PARTS -----	1	
-66	NAS464P3-8	BOLT -----	2	
	1234031-1	BUSHING -----	1	
-67	AN960-10	WASHER -----	2	
-68	AN320C3	NUT -----	2	
-69	MS24665-134	PIN-COTTER ----- ---*---	2	
-70	AN481-1P	CLEVIS -----	1	
-71	1260065-3	CLEVIS -----	1	
-72	SEE FIG 98A	ELECTRIC TRIM COMPONENTS INSTALLATION -----	1	

NOTE. *FOR AIRPLANES EQUIPPED WITH ELECTRIC TRIM SEE FIG 98A FOR CORRECT CABLES

Flight Controls (Cont)



210 SERIAL 21058937 & ON
T210 SERIAL T210-0308 & ON

Figure 98A. Elevator Electric Trim Components Installation

FIGURE AND INDEX NO.	PART NUMBER	DESCRIPTION	UNITS PER ASSY	USABLE ON CODE
98A-	1560322-25	ELEVATOR ELECTRIC TRIM COMPONENTS INSTALLATION ----- DRIVE ASSEMBLY-ELECTRIC TRIM ----- ATTACHING PARTS -----	NP 1	A
- 1	AN525-10R8	SCREW ----- -----*	6	
- 2	14C9	VOLTAGE REGULATOR-ELECTRIC TRIM MOTOR -----	1	
- 3		DELETED NEVER USED -----		
- 4	1560322-1	HOUSING ASSEMBLY-ELECTRIC TRIM -----	1	
- 5	S1004-44A	BEARING -----	1	
- 6	AN256F8	NUTPLATE -----	8	
	1560322-32	MOTOR ASSEMBLY-ELECTRIC TRIM ----- ATTACHING PARTS -----	1	
- 7	AN509-8R6	SCREW -----	4	
		-----*		
- 7A	AN960-416L	WASHER -----	AR	
- 8	1560322-8	SUPPORT ASSEMBLY-MOTOR -----	1	
- 9	NAS698A08	NUTPLATE -----	4	
- 10	NAS696A08	NUTPLATE -----	4	
- 11	SA2883	GEAR MOTOR-DC DUKA -----	1	
		ATTACHING PARTS -----		
- 12	AN515-8R7	SCREW -----	4	
		-----*		
- 13	1560322-13	SPROCKET -----	1	
		ATTACHING PARTS -----		
- 14	NAS561P4-8	PIN -----	1	
		-----*		
- 15	1560322-18	COVER ASSEMBLY-MOTOR -----	1	
		ATTACHING PARTS -----		
- 16	AN500A8-6	SCREW -----	4	
		-----*		
- 17	S1050-3-4.05	GROMMET -----	1	
	1560321-12	CLUTCH ASSEMBLY-ELECTRIC TRIM -----	1	
- 18	FTC-750J	CLUTCH ANPI -----	1	
- 19	1560321-2	SHAFT ASSEMBLY -----	1	
- 20	1560321-3	DRUM ASSEMBLY -----	1	
- 21	S1003-84	BEARING -----	1	
- 22	1560321-4	WASHER -----	2	
- 23	1560321-9	SPRING -----	1	
- 24	1560321-10	NUT -----	2	
- 25	1560321-6	SPROCKET -----	1	
		ATTACHING PARTS -----		
- 26	AN507-440R5	SCREW -----	3	
		-----*		
- 27	1560322-15	CHAIN ASSEMBLY -----	1	
- 28	NAS76A4-004	BUSHING -----	1	
- 29	NAS76A4-009	BUSHING -----	1	
- 30	1560322-5	COVER ASSEMBLY-CLUTCH ----- ATTACHING PARTS -----	1	
- 31	AN500A8-4	SCREW -----	4	
		-----*		
- 32	S1004-44A	BEARING -----	1	
- 33	1560322-17	GUARD-CABLE -----	1	
- 34	MS35489-4	GROMMET -----	1	
- 35	1560322-24	COVER-HOUSING ----- ATTACHING PARTS -----	1	
- 36	AN515-8R7	SCREW -----	4	
		-----*		
- 37	1560322-23	COVER-HOUSING ----- ATTACHING PARTS -----	1	
- 38	AN515-8R7	SCREW -----	4	
		-----*		
- 39	1260531-1	SUPPORT ASSEMBLY-ELECTRIC TRIM -----	1	
	1260525-1	SUPPORT -----	1	
- 40	1260524-1	PANEL-SUPPORT LH -----	1	
- 41	1260524-2	PANEL-SUPPORT RH -----	1	
- 42	1260522-1	BRACKET -----	1	
- 42A	1260523-2	SUPPORT ASSEMBLY -----	2	
	NAS697A3	NUTPLATE -----	3	
- 43	S378-1L	PULLEY ----- ATTACHING PARTS -----	2	
- 44	AN3-10A	BOLT -----	1	
- 45	AN960-10L	WASHER -----	1	
- 46	NAS679A3	NUT -----	1	
		-----*		

CONTINUED ON NEXT PAGE

FIGURE AND INDEX NO.	PART NUMBER	DESCRIPTION							UNITS PER ASSY	USABLE ON CODE
		1	2	3	4	5	6	7		
98A-47	MS24665-136	PIN-COTTER -----							1	
-48	1260505-46	CABLE ASSEMBLY-ELEVATOR AFT LH -----							1	
	1260505-146	CABLE ASSEMBLY-ELEVATOR AFT LH STAINLESS STEEL -----							1	
-49	1260505-56	CABLE ASSEMBLY-ELEVATOR AFT RH -----							1	
	1260505-156	CABLE ASSEMBLY-ELEVATOR AFT RH STAINLESS STEEL -----							1	
-50	1260519-1	BRACKET-PULLEY -----							1	
-51	AN960-10L	WASHER -----							1	
-52	NAS430D4-7	SPACER -----							1	
-53	NAS430D4-53	SPACER -----							1	
-54	1260518-1	GUARD -----							1	
-55	1260518-2	PIN-RETAINER -----							1	
		ATTACHING PARTS								
-56	MS24665-131	PIN-COTTER -----							2	
		-----*								
-57	MS24510-3	CIRCUIT BREAKER -----							1	
-58	SEE FIG 95	SWITCH-ELECTRIC TRIM -----							1	
-59	1260505-62	CABLE ASSEMBLY-ELEVATOR FORWARD RH -----							1	
	1260505-162	CABLE ASSEMBLY-ELEVATOR FORWARD RH STAINLESS STEEL -----							1	
-60	1260505-61	CABLE ASSEMBLY-ELEVATOR FORWARD LH -----							1	
	1260505-161	CABLE ASSEMBLY-ELEVATOR FORWARD LH STAINLESS STEEL -----							1	
-61	1260505-167	CABLE ASSEMBLY-ELEVATOR TRIM CENTER LH STAINLESS STEEL --							1	
		ATTACHING PARTS								
-62	AN3-3A	BOLT LH ONLY -----							2	
	AN960-10	WASHER LH ONLY -----							2	
	NAS679A3	NUT LH ONLY -----							2	
-63	AN155B8S	BARREL RH ONLY -----							1	
		-----*								
		A---210 SERIAL 21058937 & ON								
		T210 SERIAL T210-0308 & ON								

This page intentionally left blank.

Flight Controls (Cont)

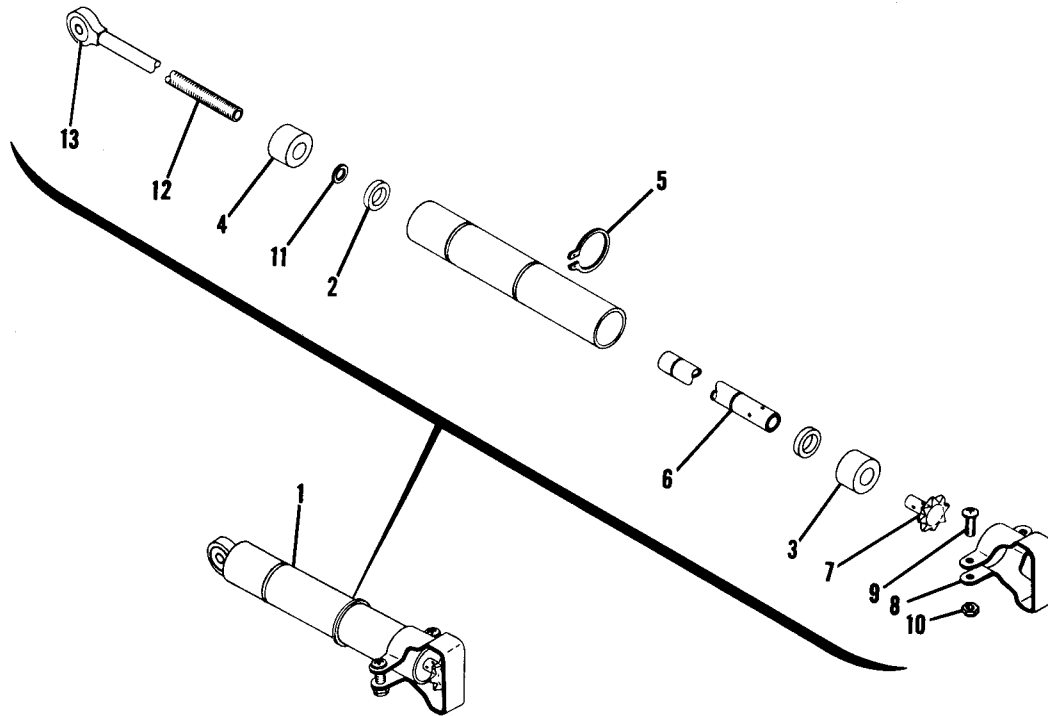


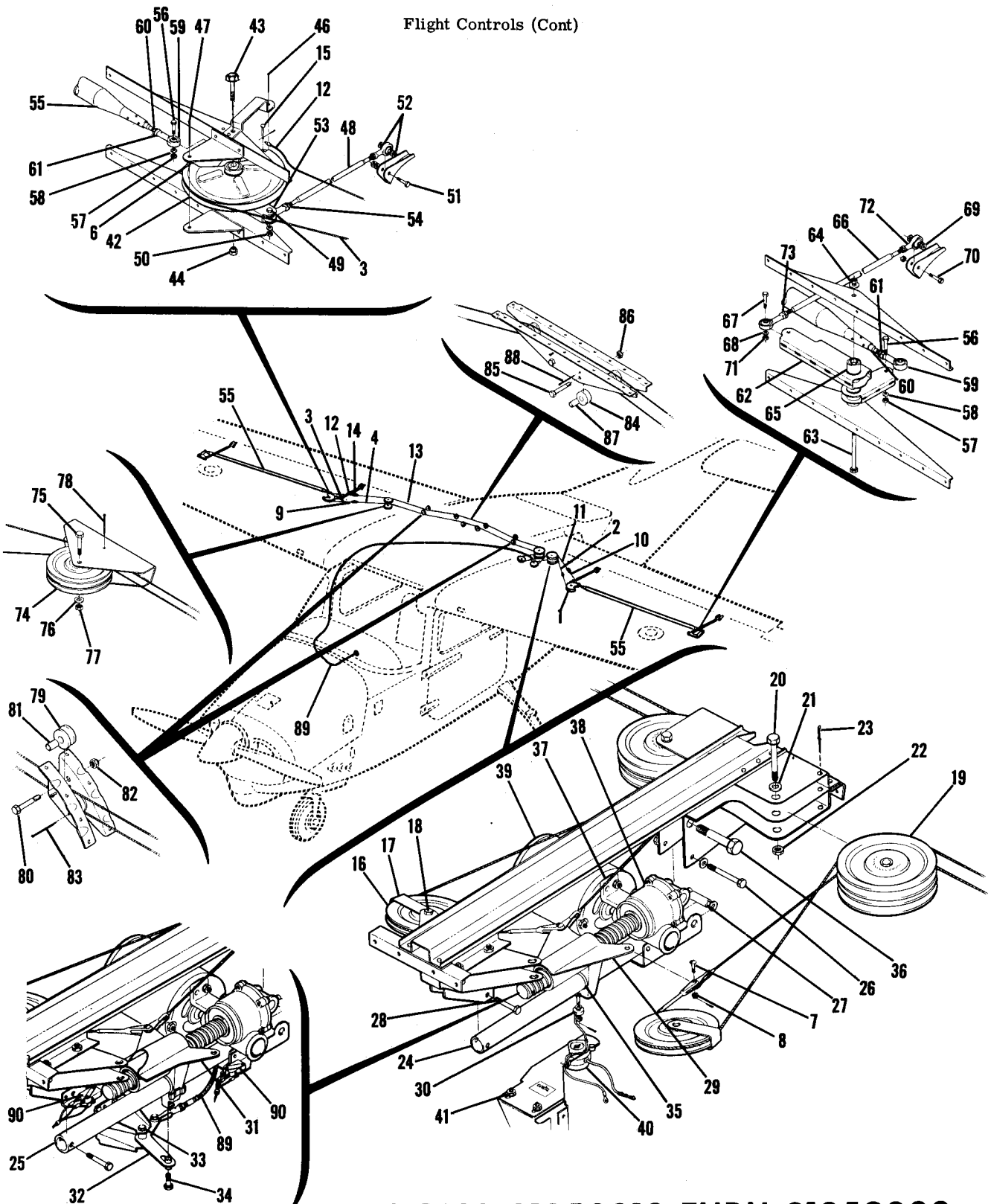
Figure 99. Elevator Trim Tab Actuator Assembly

FIGURE AND INDEX NO.	PART NUMBER	DESCRIPTION	UNITS PER ASSY	USABLE ON CODE
99 - 1	1260074-1	ELEVATOR TRIM TAB ACTUATOR ASSEMBLY -----	1	
- 2	0310295	COLLAR-ACTUATOR -----	2	
- 3	0310297-1	BEARING-ACTUATOR -----	1	
- 4	0310298-1	BEARING-ACTUATOR -----	1	
- 5	MS16624-81	RING-RETAINER OUTSIDE -----	2	
- 6	1260049-1	SCREW-INTERNAL THREADS -----	1	
- 7	0310332	SPROCKET-ROLL CHAIN -----	1	
- 8	C310422-1	GUARD-ROLL CHAIN -----	1	
- 9	AN515-8R8	ATTACHING PARTS -----	2	
-10	NAS679A08	SCREW -----	2	
		NUT -----	2	
		-----*		
-11	AN622785	PACKING-ACTUATOR -----	1	
-12	C310362-5	SCREW ASSEMBLY-ACTUATOR -----	1	
-13	PN3A	BEARING TOR -----	1	

FIGURE AND INDEX NO.	PART NUMBER	DESCRIPTION	UNITS PER ASSY	USABLE ON CODE
		1 2 3 4 5 6 7		
100 -		ELECTRIC FLAP SYSTEM INSTALLATION -----	NP	E
- 1	1260505-47	CABLE-FLAP DOWN LH BELLCRANK TO TURNBUCKLE -----	1	
	1260505-147	CABLE-FLAP DOWN LH BELLCRANK TO TURNBUCKLE -----	1	
		STAINLESS STEEL -----		
- 2	1260505-49	CABLE-FLAP DOWN LH ACTUATOR TO TURNBUCKLE -----	1	
	1260505-149	CABLE-FLAP DOWN LH ACTUATOR TO TURNBUCKLE -----	1	
		STAINLESS STEEL -----		
- 3	1260505-47	CABLE-FLAP DOWN RH BELLCRANK TO TURNBUCKLE -----	1	
	1260505-147	CABLE-FLAP DOWN RH BELLCRANK TO TURNBUCKLE -----	1	
		STAINLESS STEEL -----		
- 4	1260505-51	CABLE-FLAP DOWN RH ACTUATOR TO TURNBUCKLE -----	1	
	1260505-151	CABLE-FLAP DOWN RH ACTUATOR TO TURNBUCKLE -----	1	
		STAINLESS STEEL -----		
- 5		ATTACHING PARTS -----		
		DELETED NEVER USED --- 210 SERIAL 21058819 -----		
		DELETED NEVER USED ----- THRU 21059030 -----		
- 6	MS2392-1C11	PIN-FLATHEAD -----	1	
	MS24665-134	PIN-COTTER -----	1	
- 7	AN23-11	BOLT -----	1	
- 8	AN310-3	NUT -----	1	
- 8	MS24665-132	PIN-COTTER -----	1	
- 9	AN155-32S	BARREL -----	1	
		-----*		
-10	1260505-48	CABLE-FLAP UP LH BELLCRANK TO TURNBUCKLE -----	1	
	1260505-148	CABLE-FLAP UP LH BELLCRANK TO TURNBUCKLE -----	1	
		STAINLESS STEEL -----		
-11	1260505-50	CABLE-FLAP UP LH TURNBUCKLE TO ACTUATOR -----	1	
	1260505-150	CABLE-FLAP UP LH TURNBUCKLE TO ACTUATOR -----	1	
		STAINLESS STEEL -----		
-12	1260505-48	CABLE-FLAP UP RH BELLCRANK TO TURNBUCKLE -----	1	
	1260505-148	CABLE-FLAP UP RH BELLCRANK TO TURNBUCKLE -----	1	
		STAINLESS STEEL -----		
-13	1260505-52	CABLE-FLAP UP RH TURNBUCKLE TO ACTUATOR -----	1	
	1260505-152	CABLE-FLAP UP RH TURNBUCKLE TO ACTUATOR -----	1	
		STAINLESS STEEL -----		
		ATTACHING PARTS -----		
-14	AN155B16S	BARREL -----	1	
-15	MS2392-1C11	PIN-FLATHEAD -----	1	
	MS24665-134	PIN-COTTER -----	1	
		-----*		
-16	MS20220-2	PULLEY -----	2	
-17	1462027-1	GUARD-PULLEY -----	2	
		ATTACHING PARTS -----		
-18	AN5-12A	BOLT -----	1	
	AN960-516	WASHER -----	1	
	NAS679A5	NUT -----	1	
		-----*		
-19	MS20220-2	PULLEY -----	4	
		ATTACHING PARTS -----		
-20	AN5-14A	BOLT -----	1	
-21	AN960-416	WASHER -----	1	
-22	NAS679A4	NUT -----	1	
		-----*		
-23	MS24665-360	PIN-COTTER -----	4	

CONTINUED ON NEXT PAGE

Flight Controls (Cont)



21058937 THRU 21059030
T210-0308 THRU T210-0378

210 SERIAL 21058819 THRU 21059030
T210 SERIAL T210-0198 THRU T210-0378

Figure 100. Electric Flap System Installation

FIGURE AND INDEX NO.	PART NUMBER	DESCRIPTION	UNITS PER ASSY	USABLE ON CODE
		1 2 3 4 5 6 7		
100 -24	1260117-4	SUPPORT ASSEMBLY-LOWER -----	1	D
-25	1262024-1	SUPPORT ASSEMBLY-LOWER -----	1	C
		ATTACHING PARTS -----		
-26	AN3-14A	BOLT -----	1	
	AN960-516	WASHER -----	4	
	NAS679A3	NUT -----	1	
-27	1412280-23	BUSHING -----	1	
-28	AN3-11A	BOLT -----	1	
	AN960-10	WASHER -----	1	
	NAS679A3	NUT -----	1	
	NAS43HT3-40	SPACER -----	1	C
		-----*		
-29	1221107-1	ACTUATOR ASSEMBLY-FLAP -----	1	D
-30	1221107-2	BUSHING -----	1	D
	AN960-4L	WASHER -----	2	D
	MS24665-132	PIN-COTTER -----	1	D
-31	1512280-9	CABLE DRIVE ASSEMBLY -----	1	C
-32	1262002-2	BELLCRANK ASSEMBLY -----	1	C
		ATTACHING PARTS -----		
-33	AN4-12A	BOLT -----	1	C
	1262008-1	WASHER -----	2	C
	NAS75-4-027	BUSHING -----	1	C
	AN960-416	WASHER -----	1	C
	NAS679A4	NUT -----	1	C
-34	AN3-4A	BOLT -----	1	C
	NAS43HT3-10	SPACER -----	1	C
	NAS679A3	NUT -----	1	C
		-----*		
-35	NAS577-10A	GROMMET -----	1	D
	C301001-0203	ACTUATOR ASSEMBLY-WING FLAPS 14 VOLTS DC -----	1	A
		WHEN EXHAUSTED USE C301001-0205 -----		
	C301001-0205	ACTUATOR ASSEMBLY-WING FLAPS 14 VOLTS DC NON-FILTERED -----	1	B
	C301001-0206	ACTUATOR ASSEMBLY-WING FLAPS 14 VOLTS DC FILTERED -----	1	
		ATTACHING PARTS -----		
-36	AN6-16	BOLT -----	1	
	AN960-616	WASHER -----	1	
	AN310-6	NUT -----	1	
	MS24665-283	PIN -----	1	
		-----*		
-37	C301001-0211	COUPLING CTPS -----	1	
-38	C301001-0204	TRANSMISSION ASSEMBLY SHORT STROKE CTPS -----	1	
-39	C301001-0210	MOTOR NON-FILTERED -----	1	
	C301001-0208	MOTOR FILTERED -----	1	
	S1732-1	FILTER-RADIO FREQUENCY -----	1	
	S1635-2	PIN USED WITH NON-FILTERED MOTOR -----	1	
	S1638-2	HOUSING-GAP USED WITH NON-FILTERED MOTOR -----	1	
-40	C59C501-0201	TRANSMITTER-FLAP POSITION 30 OHM -----	1	D
		ATTACHING PARTS -----		
-41	AN3-4A	BOLT -----	2	D
	AN936A10	WASHER -----	2	D
		-----*		
-42	126C075-1	BELLCRANK ASSEMBLY-LH -----	1	
	1260075-2	BELLCRANK ASSEMBLY-RH -----	1	
		ATTACHING PARTS -----		
-43	AN4-30A	BOLT -----	1	
-44	NAS679A4	NUT -----	1	
	0522629	WASHER INSTALL BETWEEN BELLCRANK & BRACKET LWR SIDE -----	1	
		-----*		
-45	B610	BEARING TOR -----	2	
	1462012-2	BUSHING -----	1	
-46	MS24665-294	PIN-COTTER -----	1	
-47	MS24665-295	PIN-COTTER -----	2	
-48	1260128-3	PUSH ROD ASSEMBLY-FLAP INBOARD -----	2	
		ATTACHING PARTS -----		
-49	AN3-6A	BOLT -----	2	
-50	AN960-10L	WASHER -----	1	
	NAS679A3	NUT -----	1	
-51	AN3-11A	BOLT -----	1	
-52	AN960-10	WASHER -----	5	
	NAS679A3	NUT -----	1	
		-----*		
-53	S1819-5	BEARING-ROD END -----	2	
-54	AN316-4R	NUT -----	2	

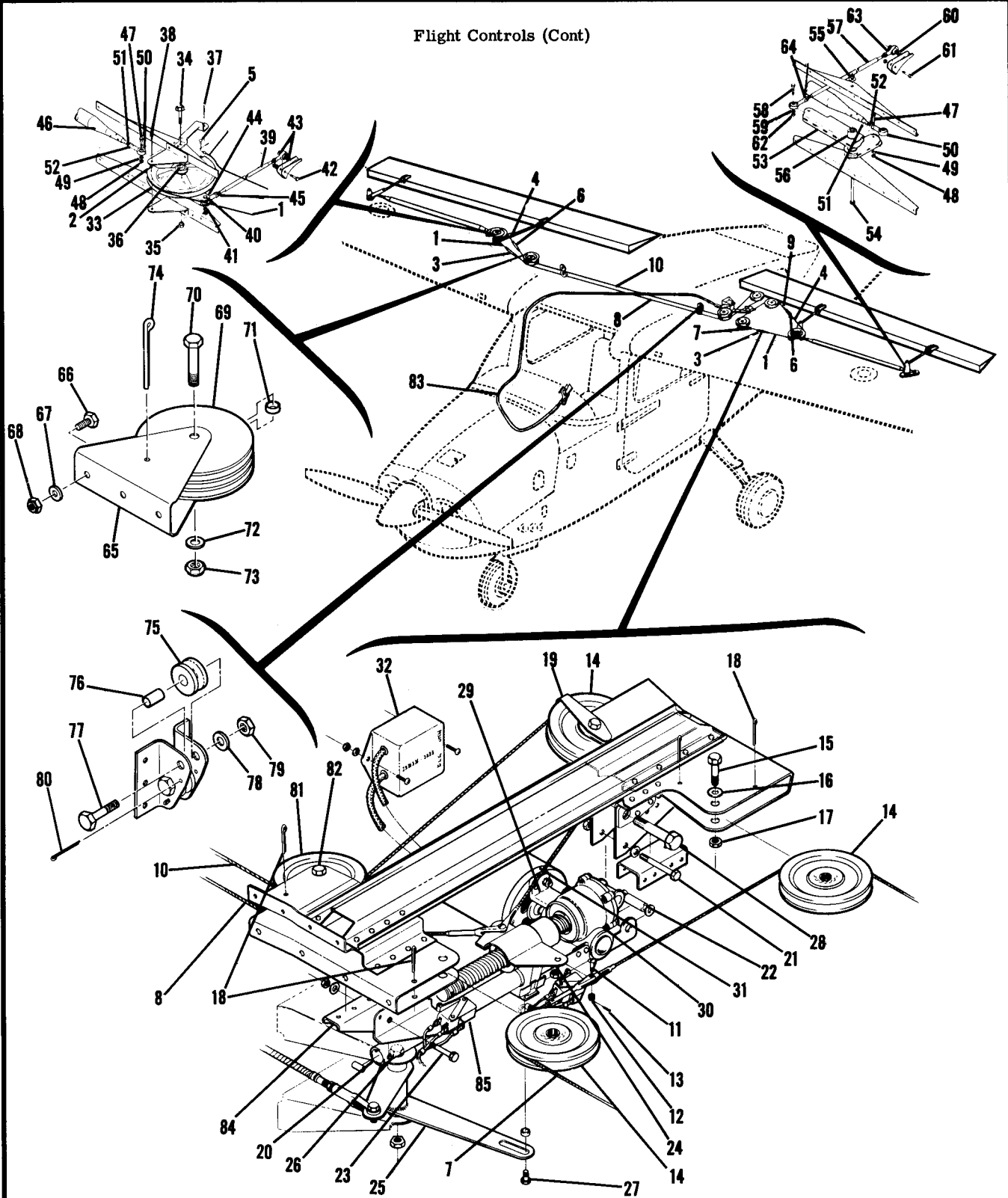
CONTINUED ON NEXT PAGE

FIGURE AND INDEX NO.	PART NUMBER	DESCRIPTION	UNITS PER ASSY	USABLE ON CODE
100 -55	1260653-3	ROD ASSEMBLY-ACTUATOR CONNECT OUTBOARD FLAP ----- ATTACHING PARTS	2	
-56	AN3-6A	BOLTS -----	2	
-57	NAS679A3	NUT -----	2	
-58	AN960-10L	WASHER ----- -----*	2	
-59	S1106-3	BEARING-ROD END -----	2	
-60	1260650-1	ROD END ADAPTOR -----	2	
-61	AN316-4R	NUT -----	2	
-62	1260125-1	BELLCRANK ASSEMBLY-LH -----	1	
	1260125-2	BELLCRANK ASSEMBLY-RH ----- ATTACHING PARTS	1	
-63	AN4-30A	BOLT -----	1	
-64	AN960-416	WASHER -----	1	
	NAS679A4	NUT -----	1	
	C522629	WASHER INSTALL BETWEEN BELLCRANK & BRACKET LWR SIDE ----- -----*	1	
-65	B610	BEARING TOR -----	2	
-66	1260128-1	PUSH ROD-FLAP OUTBOARD ----- ATTACHING PARTS	2	
-67	AN3-6A	BOLT -----	1	
-68	AN960-10L	WASHER -----	1	
-69	AN960-10	WASHER -----	5	
-70	AN3-11A	BOLT -----	1	
-71	NAS679A3	NUT ----- -----*	2	
-72	S1819-3	BEARING-ROD END -----	2	
-73	AN316-4R	NUT -----	2	
-74	S378-4	PULLEY ----- ATTACHING PARTS	2	
-75	AN4-14A	BOLT -----	1	
-76	AN960-416	WASHER -----	1	
-77	NAS679A4	NUT ----- -----*	1	
-78	MS24665-140	PIN-COTTER -----	1	
-79	S1710-1	PULLEY ----- ATTACHING PARTS	4	
-80	AN3-6A	BOLT -----	1	
-81	C411783	BUSHING -----	1	
-82	NAS679A3	NUT ----- -----*	1	
-83	MS24665-283	PIN-COTTER -----	4	
-84	S1710-1	PULLEY ----- ATTACHING PARTS	4	
-85	AN3-6A	BOLT -----	1	
-86	NAS679A3	NUT -----	1	
-87	C411783	BUSHING ----- -----*	1	
-88	MS24665-283	PIN-COTTER -----	4	
-89	SEE FIG 100A	FLAP CONTROL DETAILS INSTALLATION -----	1	C
-90	MS25253-1	SWITCH -----	2	C
	V3L-3	SWITCH ALTERNATE -----	2	C
	E33-10K	SWITCH ALTERNATE -----	2	C
	JV-5	ACTUATOR ----- ATTACHING PARTS	2	C
	AN505-4-12	SCREW -----	4	C
	AN340-4	NUT ----- -----*	4	C
<p>A---210 SERIAL 21058819 THRU 21058863 T210 SERIAL T210-0198 THRU T210-0263 B---210 SERIAL 21058864 THRU 21059030 T210 SERIAL T210-0264 THRU T210-0378 C---210 SERIAL 21058937 THRU 21059030 T210 SERIAL T210-0308 THRU T210-0378 D---210 SERIAL 21058819 THRU 21058936 T210 SERIAL T210-0198 THRU T210-0307 E---210 SERIAL 21058819 THRU 21059030 T210 SERIAL T210-0198 THRU T210-0378</p>				



FIGURE AND INDEX NO.	PART NUMBER	DESCRIPTION	UNITS PER ASSY	USABLE ON CODE
		1 2 3 4 5 6 7		
100A-		ELECTRIC FLAP SYSTEM INSTALLATION -----	NP	A
- 1	1260505-47	CABLE ASSEMBLY-FLAP DOWN BELLCRANK TO TURNBUCKLE -----	2	
	1260505-147	CABLE ASSEMBLY-FLAP DOWN BELLCRANK TO TURNBUCKLE -----	2	
		STAINLESS STEEL		
		ATTACHING PARTS		
- 2	MS2392-1C11	PIN-FLATHEAD -----	1	
	MS24665-134	PIN-COTTER -----	1	
- 3	AN155832S	BARREL-TURN BUCKLE -----	1	
		-----*		
- 4	1260505-48	CABLE ASSEMBLY-FLAP UP BELLCRANK TO TURN BUCKLE -----	2	
	1260505-148	CABLE ASSEMBLY-FLAP UP BELLCRANK TO TURN BUCKLE -----	2	
		STAINLESS STEEL		
		ATTACHING PARTS		
- 5	MS2392-1C11	PIN-FLATHEAD -----	1	
	MS24665-134	PIN-COTTER -----	1	
- 6	AN155816S	BARREL-TURN BUCKLE -----	1	
		-----*		
- 7	1260505-73	CABLE ASSEMBLY-FLAP DOWN LH TURN BUCKLE TO ACTUATOR -----	1	
	1260505-173	CABLE ASSEMBLY-FLAP DOWN LH TURNBUCKLE TO ACTUATOR -----	1	
		STAINLESS STEEL		
- 8	1260505-71	CABLE ASSEMBLY-FLAP DOWN RH TURN BUCKLE TO ACTUATOR -----	1	
	1260505-171	CABLE ASSEMBLY-FLAP DOWN RH TURN BUCKLE TO ACTUATOR -----	1	
		STAINLESS STEEL		
- 9	1260505-70	CABLE ASSEMBLY-FLAP UP LH TURN BUCKLE TO ACTUATOR -----	1	
	1260505-170	CABLE ASSEMBLY-FLAP UP LH TURN BUCKLE TO ACTUATOR -----	1	
		STAINLESS STEEL		
-10	1260505-72	CABLE ASSEMBLY-FLAP UP RH TURNBUCKLE TO ACTUATOR -----	1	
	1260505-172	CABLE ASSEMBLY-FLAP UP RH TURNBUCKLE TO ACTUATOR -----	1	
		STAINLESS STEEL		
		CONTINUED ON NEXT PAGE		

Flight Controls (Cont)



210 SERIAL 21059031 & ON
T210 SERIAL T210-0379 & ON

Figure 100A. Electric Flap System Installation



FIGURE AND INDEX NO.	PART NUMBER	DESCRIPTION							UNITS PER ASSY	USABLE ON CODE
		1	2	3	4	5	6	7		
100A-11	AN23-11	BOLT							2	
-12	AN310-3	NUT							2	
-13	MS24665-132	PIN-COTTER							2	
-14	MS20220-2	PULLEY							3	
		ATTACHING PARTS								
-15	AN5-12A	BOLT							1	
-16	AN960-516	WASHER							1	
-17	NAS679A5	NUT							1	
		*-----								
-18	MS24665-355	PIN-COTTER							7	
-19	1462027-1	GUARD-CABLE							1	
-20	1262024-1	SUPPORT ASSEMBLY-LOWER							1	
		ATTACHING PARTS								
-21	AN3-14A	BOLT							1	
	AN960-516	WASHER							4	
	NAS679A3	NUT							1	
-22	1412280-23	BUSHING							1	
-23	AN3-11A	BOLT							1	
	AN960-10	WASHER							1	
	NAS679A3	NUT							1	
	NAS43HT3-40	SPACER							1	
		*-----								
-24	1262028-1	DRIVE ASSEMBLY-CABLE							1	
-25	1262027-1	BELLCRANK ASSEMBLY							1	
		ATTACHING PARTS								
-26	AN4-27A	BOLT							1	
	1262008-1	WASHER							2	
	NAS75-4-216	BUSHING							1	
	AN960-416	WASHER							1	
	NAS679A4	NUT							1	
-27	AN3-4A	BOLT							1	
	NAS43HT3-10	SPACER							1	
	NAS679A3	NUT							1	
		*-----								
	C301001-0205	ACTUATOR ASSEMBLY-14 VOLT DC				NON FILTERED			1	
	C301001-0206	ACTUATOR ASSEMBLY-14 VOLT DC				FILTERED			1	
		ATTACHING PARTS								
-28	AN6-16A	BOLT							1	
	AN960-616	WASHER							1	
	AN310-6	NUT							1	
	MS24665-283	PIN							1	
		*-----								
-29	C301001-0211	COUPLING							1	
-30	C301001-0204	TRANSMISSION ASSEMBLY				SHORT STROKE			1	
-31	C301001-0210	MOTOR				NONFILTERED			1	
	C301001-0208	MOTOR				FILTERED			1	
-32	S1732-1	FILTER-RADIO FREQUENCY							1	
	S1638-2	HOUSING-CAP				USED WITH NONFILTERED MOTOR			1	
	S1635-2	PIN				USED WITH NONFILTERED MOTOR			2	
-33	1262029-1	BELLCRANK ASSEMBLY-LH							1	
	1262029-2	BELLCRANK ASSEMBLY-RH							1	
		ATTACHING PARTS								
-34	AN4-30A	BOLT							1	
-35	NAS679A4	NUT							1	
	0522629	WASHER				INSTALL BETWEEN BELLCRANK & BRACKET LWR SIDE			1	
		*-----								
-36	B610	BEARING				TOR			2	
	1462012-2	BUSHING							1	
-37	MS24665-295	PIN-COTTER							1	
-38	MS24665-292	PIN-COTTER							2	
-39	1260128-4	PUSH ROD ASSEMBLY-FLAP INBOARD							2	
		ATTACHING PARTS								
-40	AN3-6A	BOLT							2	
-41	AN960-10L	WASHER							1	
	NAS679A3	NUT							1	
-42	AN3-11A	BOLT							1	
-43	AN960-10	WASHER							5	
	NAS679A3	NUT							1	
		*-----								
-44	S1819-5	BEARING-ROD END							2	

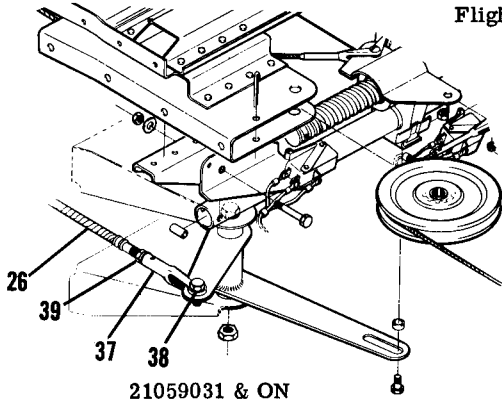
CONTINUED ON NEXT PAGE

FIGURE AND INDEX NO.	PART NUMBER	DESCRIPTION	UNITS PER ASSY	USABLE ON CODE
100A-45	AN316-4R	NUT -----	2	
-46	1260653-5	ROD ASSEMBLY-ACTUATOR CONNECT OUTBOARD FLAP -----	2	
		ATTACHING PARTS		
-47	AN3-6A	BOLT -----	2	
-48	NAS679A3	NUT -----	2	
-49	AN960-10L	WASHER -----	2	
		---*---		
-50	S1106-3	BEARING-ROD END -----	2	
-51	1260650-1	ROD END ADAPTOR -----	2	
-52	AN316-4R	CHECKNUT -----	2	
-53	1262038-1	BELLCRANK ASSEMBLY-LH -----	1	
	1262038-2	BELLCRANK ASSEMBLY-RH -----	1	
		ATTACHING PARTS		
-54	AN4-30A	BOLT -----	1	
-55	AN960-416	WASHER -----	1	
	NAS679A4	NUT -----	1	
		---*---		
-56	B61C	BEARING TOR -----	2	
-57	1260128-5	PUSH ROD-FLAP OUTBOARD -----	2	
		ATTACHING PARTS		
-58	AN3-6A	BOLT -----	1	
-59	AN960-10L	WASHER -----	1	
-60	AN960-10	WASHER -----	5	
-61	AN3-11A	BOLT -----	1	
-62	NAS679A3	NUT -----	2	
		---*---		
-63	S1819-3	BEARING-ROD END -----	2	
-64	AN316-4R	NUT -----	2	
-65	1222027-1	BRACKET-PULLEY -----	1	
		ATTACHING PARTS		
-66	AN3-3A	BOLT -----	3	
-67	AN960-10L	WASHER -----	3	
-68	NAS679A3	NUT -----	3	
		---*---		
-69	S378-4	PULLEY -----	2	
		ATTACHING PARTS		
-70	AN4-14A	BOLT -----	1	
-71	NAS43HT4-10	SPACER -----	1	
-72	AN960-416L	WASHER -----	1	
-73	NAS679A4	NUT -----	1	
		---*---		
-74	MS24665-360	PIN-COTTER -----	1	
-75	S1710-1	PULLEY -----	4	
		ATTACHING PARTS		
-76	C411783	BUSHING -----	1	
-77	AN3-7A	BOLT -----	1	
-78	AN960-10L	WASHER -----	1	
-79	NAS679A3	NUT -----	1	
		---*---		
-80	MS24665-134	PIN-COTTER -----	4	
-81	MS20220-2	PULLEY -----	2	
		ATTACHING PARTS		
-82	AN5-14A	BOLT -----	1	
	AN960-516	WASHER -----	1	
	NAS679A5	NUT -----	1	
		---*---		
-83	SEE FIG 100B	FLAP CONTROL DETAILS INSTALLATION -----	1	
-84	1262016-2	BRACKET-SWITCH FLAP CONTROL -----	1	
-85	MS25253-1	SWITCH -----	2	
	JV-5	ACTUATOR -----	2	
		ATTACHING PARTS		
	AN505-4-12	SCREW -----	4	
	AN340-4	NUT -----	4	
	NAS620-4	WASHER -----	4	
		---*---		
		A---210 SERIAL 21059031 & ON T210 SERIAL T210-0379 & ON		

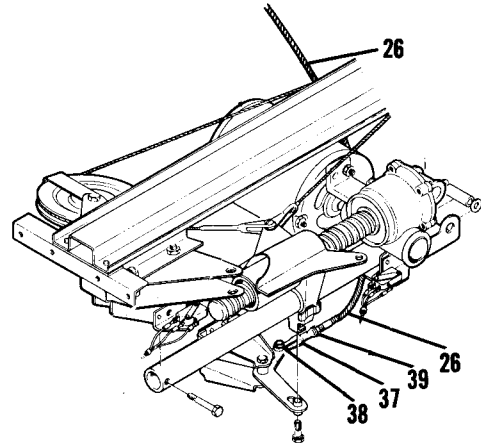


FIGURE AND INDEX NO.	PART NUMBER	DESCRIPTION	UNITS PER ASSY	USABLE ON CODE
		1 2 3 4 5 6 7		
100B-		FLAP CONTROL DETAIL INSTALLATION -----	NP	A
- 1	1262026-1	LEVER ASSEMBLY-FLAP -----	1	
- 2	1512280-11	LEVER-FLAP -----	1	
- 3	1452530-6	CAM -----	1	
- 4	1562033-1	ARM ASSEMBLY-FLAP -----	1	
- 5	1552531-4	ARM -----	1	
- 6	1562033-4	INDICATOR ASSEMBLY -----	1	
- 7	NAS75-3-016	BUSHING -----	1	
- 8	1512280-24	BUSHING -----	1	
- 9	1452533-4	WASHER -----	2	
-10	S1450-5-14-032	WASHER -----	1	
-11	1512280-25	WASHER -----	2	
-12	1452533-2	WASHER -----	1	
-13	MS25253-1	SWITCH -----	2	
	V3L-3	SWITCH MCS ALTERNATE -----	2	
	E33-10K	SWITCH CRYE ALTERNATE -----	2	
		ATTACHING PARTS		
-14	AN515-4R12	SCREW -----	2	
-15	AN340-4	NUT -----	2	
	NAS620-4	WASHER -----	2	
		-----*		
CONTINUED ON NEXT PAGE				

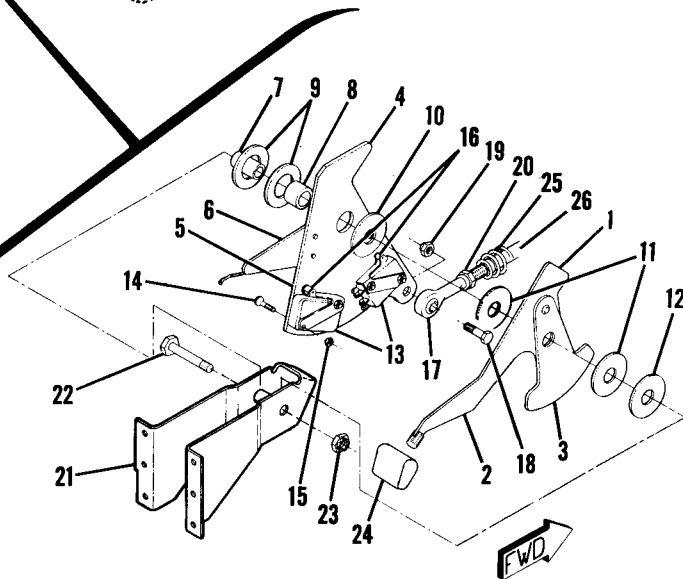
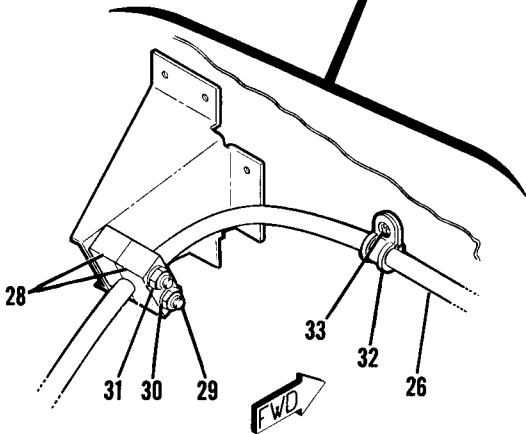
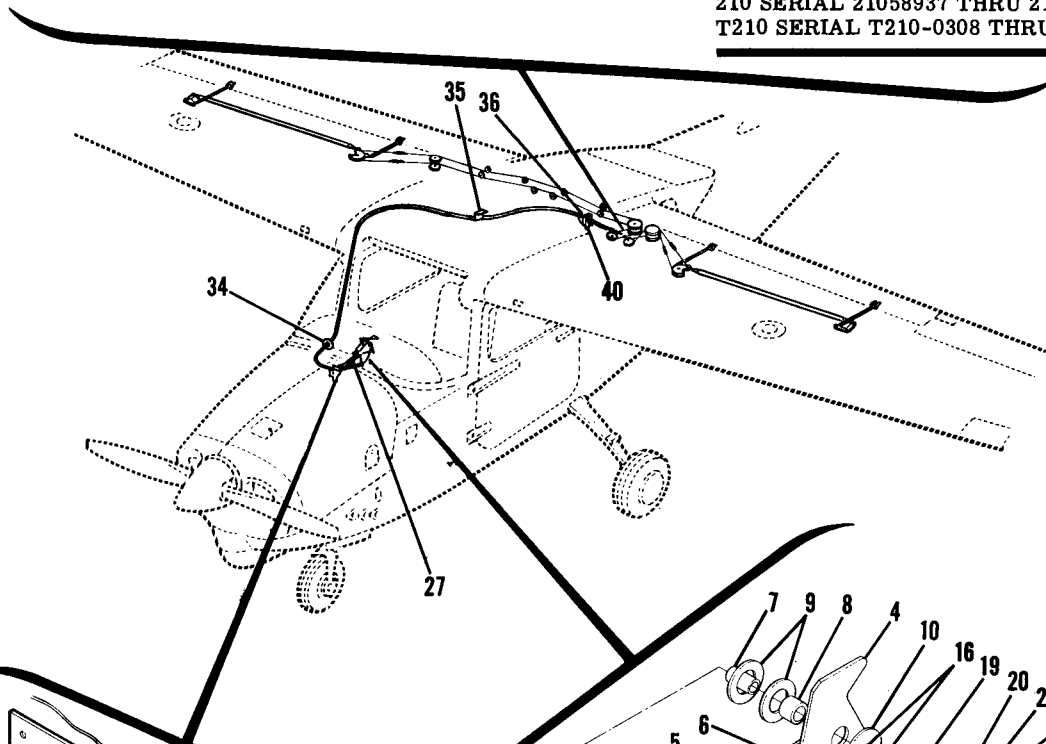
Flight Controls (Cont)



21059031 & ON
T210-0379 & ON



210 SERIAL 21058937 THRU 21059030
T210 SERIAL T210-0308 THRU T210-0378



210 SERIAL 21058937 & ON
T210 SERIAL T210-0308 & ON

Figure 100B. Flap Control Details Installation



FIGURE AND INDEX NO.	PART NUMBER	DESCRIPTION	UNITS PER ASSY	USABLE ON CODE
100B-16	JV-5	ACTUATOR -----	2	
-17	S1106-3	ROD END -----	1	
		ATTACHING PARTS		
-18	AN3-6A	BOLT -----	1	
-19	NAS679A3	NUT -----	1	
-20	AN316-4R	NUT -----	1	
		---*---		
-21	1262001-1	BRACKET -----	1	D
	1262001-2	BRACKET -----	1	E
-22	AN3-10A	BOLT -----	1	
-23	NAS679A3	NUT -----	1	
	NAS75-3-016	BUSHING -----	1	
-24	S1771-1	KNOB-FLAP LEVER -----	1	
-25	1452537-1	SPRING -----	1	
-26	S1244-9	CONTROL-PUSH PULL -----	1	
-27	1262022-1	STIFFENER -----	1	
-28	0713307-4	CLAMP -----	2	
		ATTACHING PARTS		
-29	AN3-13A	BOLT -----	2	
-30	AN960-10	WASHER -----	2	
-31	NAS679A3	NUT -----	2	
		---*---		
-32	MS21919DG6	CLAMP -----	1	
		ATTACHING PARTS		
-33	AN515-8R7	SCREW -----	1	
		---*---		
-34	NAS557-8A	GROMMET -----	1	
-35	121C037-1	BRACKET -----	1	
	AN742D5	CLAMP -----	1	
		ATTACHING PARTS		
	S1021Z8-8	SCREW -----	1	
	NAS395-11-3	NUT -----	1	
		---*---		
-36	0713307-4	CLAMP -----	2	B
	0713307-4	CLAMP -----	1	C
	0713307-1	MOUNT -----	1	C
		ATTACHING PARTS		
	AN3-13A	BOLT -----	2	B
	AN3-16A	BOLT -----	2	C
	AN960-10	WASHER -----	2	
		---*---		
-37	AN486-4	CLEVIS -----	1	
		ATTACHING PARTS		
-38	MS20392-2C11	PIN -----	1	
	AN960-10L	WASHER -----	2	
	MS24665-132	PIN-COTTER -----	1	
-39	AN316-4R	NUT -----	1	
		---*---		
-40	1262023-1	BRACKET ASSEMBLY -----	1	B
	NAS682A3	NUTPLATE -----	2	
	1211760-1	BRACKET ASSEMBLY -----	1	C
	NAS697A3	NUTPLATE -----	2	
		A---210 SERIAL 21058937 & ON T210 SERIAL T210-0308 & ON		
		B---210 SERIAL 21058937 THRU 21059030 T210 SERIAL T210-0308 THRU T210-0378		
		C---210 SERIAL 21059031 & ON T210 SERIAL T210-0379 & ON		
		D---210 SERIAL 21058937 THRU 21059061 T210 SERIAL T210-0308 THRU T210-0392		
		E---210 SERIAL 21059062 & ON T210 SERIAL T210-0393 & ON		

Flight Controls (Cont)

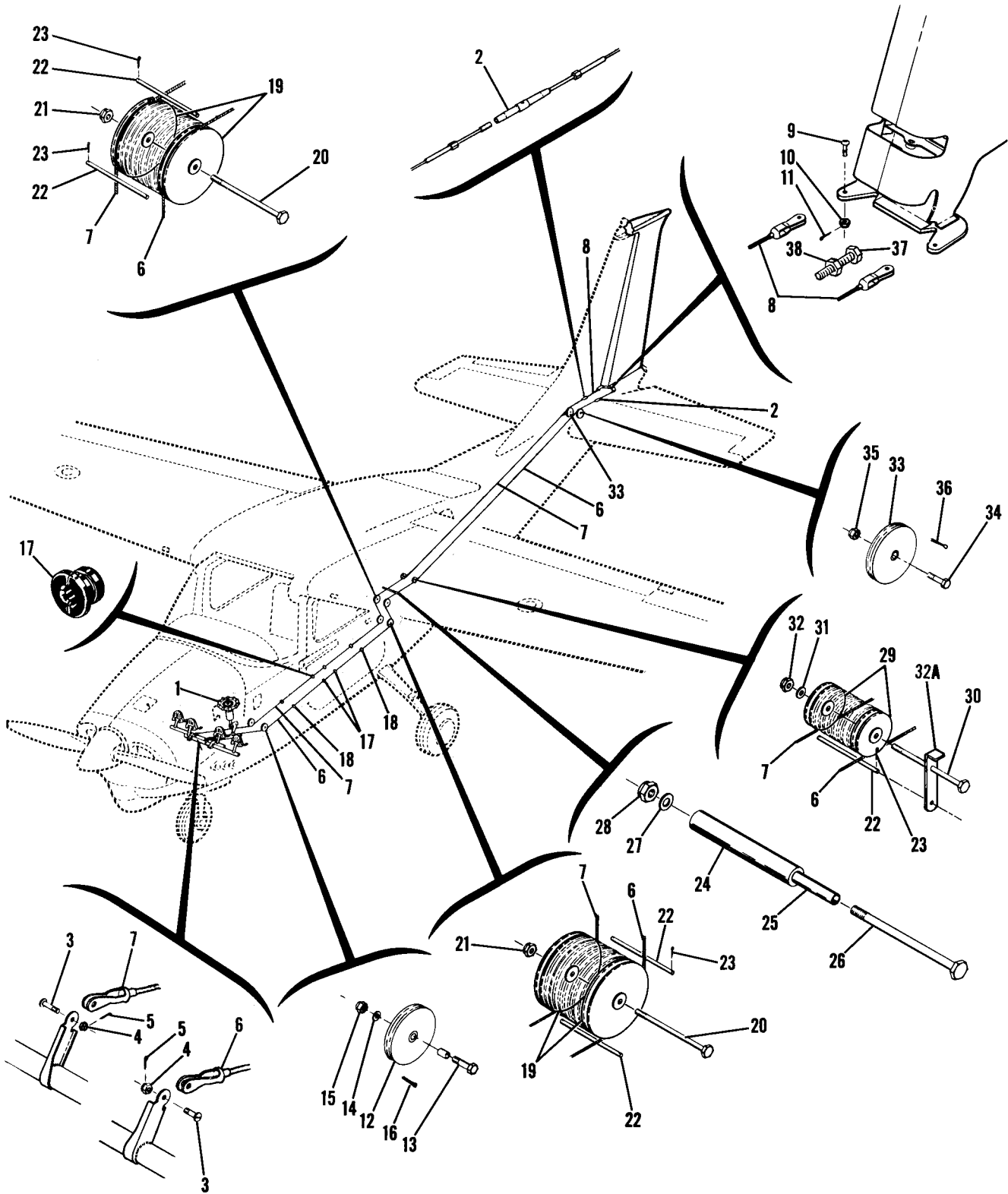
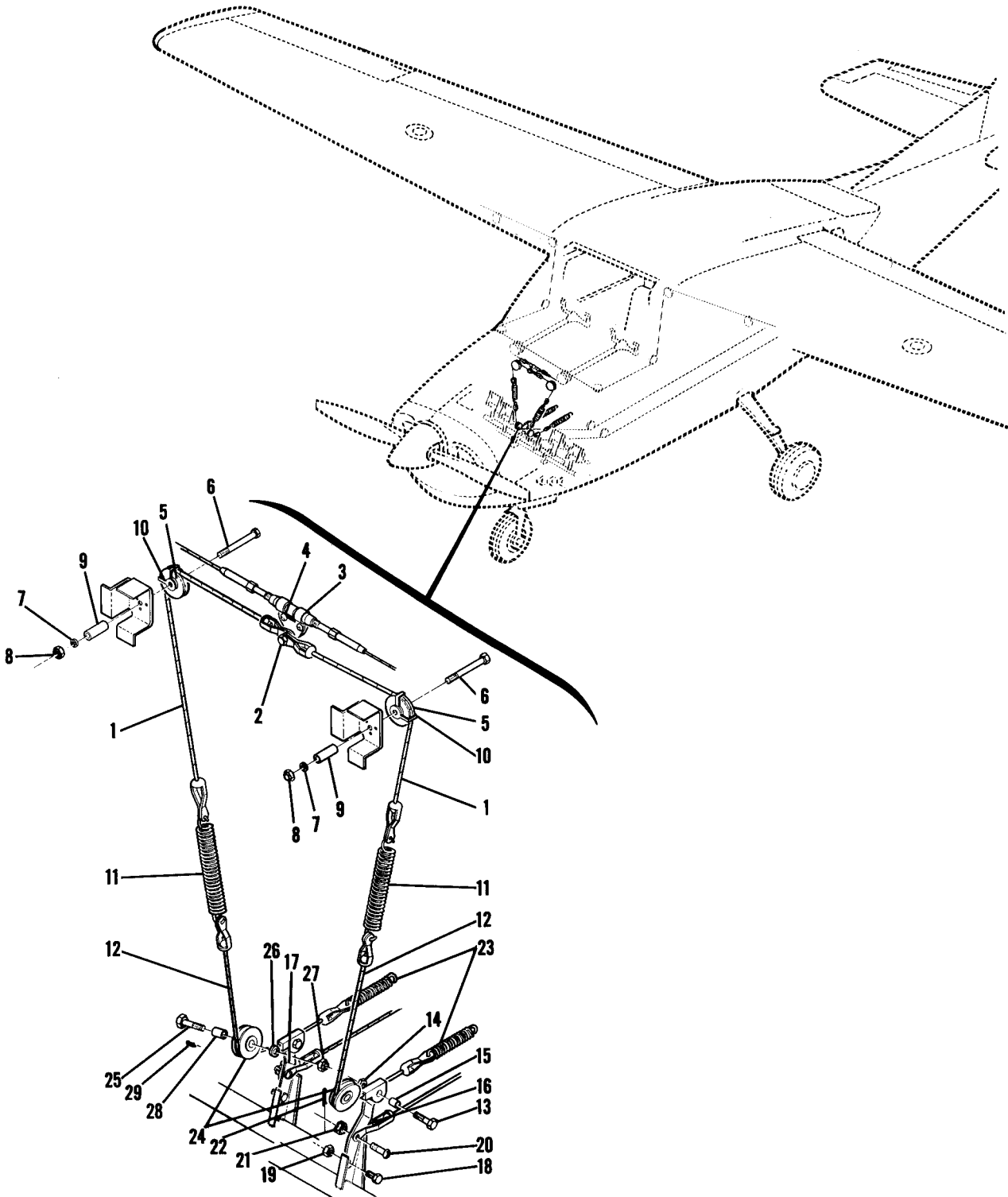


Figure 101. Rudder Control System Installation

FIGURE AND INDEX NO.	PART NUMBER	DESCRIPTION	UNITS PER ASSY	USABLE ON CODE
		1 2 3 4 5 6 7		
101 -		RUDDER CONTROL SYSTEM INSTALLATION -----	NP	
- 1	SFE FIG 102	TRIM INSTALLATION-RUDDER -----	1	
- 2	AN155B32S	BARREL -----	2	
- 3	AN23-10	BOLT -----	2	A
	AN23-12	BOLT -----	2	B
- 4	AN310-3	NUT -----	2	
- 5	MS24665-134	PIN-COTTER -----	2	
- 6	1260505-15	CABLE ASSEMBLY-RUDDER FORWARD LH -----	1	
	1260505-115	CABLE ASSEMBLY-RUDDER FORWARD LH STAINLESS STEEL -----	1	
- 7	1260505-11	CABLE ASSEMBLY-RUDDER FORWARD RH -----	1	
	1260505-111	CABLE ASSEMBLY-RUDDER FORWARD RH STAINLESS STEEL -----	1	
- 8	1260505-13	CABLE ASSEMBLY-AFT LH -----	1	
	1260505-113	CABLE ASSEMBLY-AFT LH STAINLESS STEEL -----	1	
	1260505-12	CABLE ASSEMBLY-AFT RH -----	1	
	1260505-112	CABLE ASSEMBLY-AFT RH STAINLESS STEEL -----	1	
		ATTACHING PARTS		
- 9	AN23-10	BOLT -----	1	
-10	AN310-3	NUT -----	1	
-11	MS24665-134	PIN-COTTER -----	1	
		---*---		
-12	S378-4	PULLEY-CABLE -----	2	
		ATTACHING PARTS		
-13	AN4-20A	BOLT -----	1	
-14	NAS43HT4-41	WASHER -----	1	
-15	NAS679A4	NUT -----	1	
		---*---		
-16	MS24665-143	PIN-COTTER -----	3	
-17	S338-5	FAIRLEAD HALF-CABLE -----	8	
-18	S338-9	FAIRLEAD HALF-CABLE -----	8	
	S339-3	CLIP ATTACH FAIRLEAD HALVES -----	8	
-19	S378-4	PULLEY-CABLE -----	4	
		ATTACHING PARTS		
-20	AN4-36A	BOLT -----	1	
-21	NAS679A4	NUT -----	1	
		---*---		
-22	12CG017-1	PIN-CABLE GUARD -----	4	
		ATTACHING PARTS		
-23	MS24665-132	PIN-COTTER -----	2	
		---*---		
-24	126C031-1	ROLLER-PULLEY -----	1	
		ATTACHING PARTS		
-25	126C030-1	SPACER -----	1	
-26	AN3-33A	BOLT -----	1	
-27	AN960-10L	WASHER -----	1	
-28	NAS679A3	NUT -----	1	
		---*---		
-29	S378-3L	PULLEY-CABLE -----	2	
		ATTACHING PARTS		
-30	AN4-34A	BOLT -----	1	
-31	AN960-416	WASHER -----	1	
-32	NAS679A4	NUT -----	1	
-32A	126C032-1	GUARD -----	2	
		---*---		
-33	S378-4	PULLEY-CABLE -----	2	
		ATTACHING PARTS		
-34	AN4-10A	BOLT -----	1	
-35	NAS679A4	NUT -----	1	
		---*---		
-36	MS24665-134	PIN-COTTER -----	2	
-37	NAS428-3-7	BOLT RUDDER STOP -----	1	
-38	AN315-3R	NUT RUDDER STOP -----	2	
		A---210 SERIAL 21058819 THRU 21059061 T210 SERIAL T210-0198 THRU T210-0392 B---210 SERIAL 21059062 & ON T210 SERIAL T210-0393 & ON		

Flight Controls (Cont)

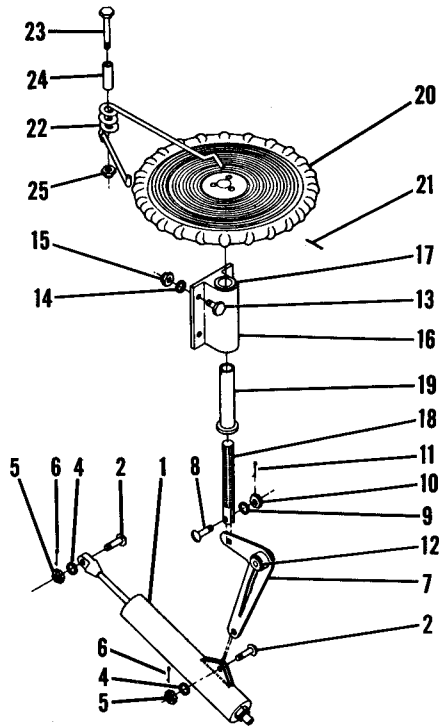


210 SERIAL 21059062 & ON
T210 SERIAL T210-0393 & ON

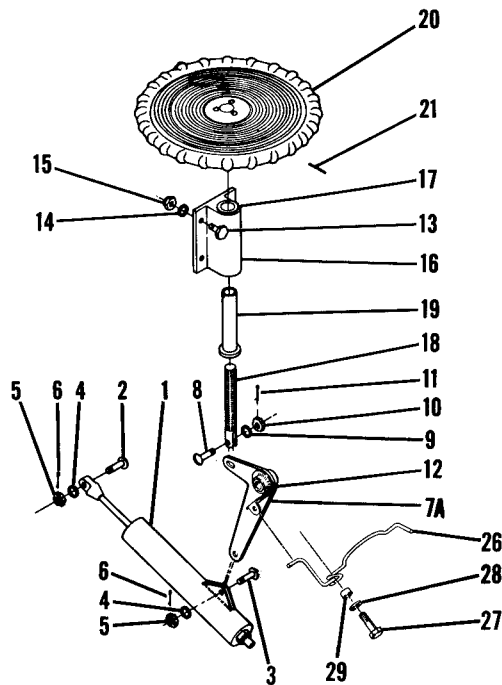
Figure 101A. Aileron , Rudder Interconnect System

FIGURE AND INDEX NO.	PART NUMBER	DESCRIPTION	UNITS PER ASSY	USABLE ON CODE
		1 2 3 4 5 6 7		
101A-		AILERON, RUDDER INTERCONNECT SYSTEM -----	NP	A
- 1	1260505-74	CABLE ASSEMBLY -----	2	
		ATTACHING PARTS -----		
		210 SERIAL		
- 2	AN3-3A	BOLT -----	1	
	NAS679A3	NUT -----	1	
		-----*		
- 3	1260211-1	CLAMP -----	1	
		ATTACHING PARTS -----		
		T210 SERIAL		
- 4	AN515-6R6	SCREW -----	2	
	NAS679A06	NUT -----	2	
		-----*		
- 5	S378-1	PULLEY -----	2	
		ATTACHING PARTS -----		
- 6	AN3-17A	BOLT -----	1	
- 7	AN960-10L	WASHER -----	1	
- 8	NAS679A3	NUT -----	1	
- 9	NAS43DD3-60	SPACER -----	1	
		-----*		
-10	1260205-1	GUARD-CABLE -----	4	
-11	1260216-1	SPRING-INTERCONNECT -----	2	
-12	1260208-1	CABLE ASSEMBLY -----	2	
		ATTACHING PARTS -----		
-13	AN3-6A	BOLT -----	1	
-14	NAS679A3	NUT -----	1	
-15	1260207-1	BUSHING -----	1	
		-----*		
-16	1260412-1	STRAP-LH -----	1	
-17	1260412-2	STRAP-RH -----	1	
		ATTACHING PARTS -----		
-18	AN3-3A	BOLT -----	1	
-19	NAS679A3	NUT -----	1	
-20	AN23-12	BOLT -----	1	
-21	AN310-3	NUT -----	1	
-22	MS24665-134	PIN -----	1	
		-----*		
-23	0413416-4	SPRING -----	2	
-24	S378-1	PULLEY -----	2	
		ATTACHING PARTS -----		
-25	AN3-6A	BOLT -----	1	
-26	AN960-10L	WASHER -----	1	
-27	NAS679A3	NUT -----	1	
-28	NAS43DD3-14	SPACER -----	1	
-29	MS24665-285	PIN -----	1	
		-----*		
		A---210 SERIAL 21059C62 & ON T210 SERIAL T210-0393 & ON		

Flight Controls (Cont)



21058819 THRU 21059061
T210-0198 THRU T210-0392



21059062 & ON
T210-0393 & ON

Figure 102. Rudder Trim Installation

FIGURE AND INDEX NO.	PART NUMBER	DESCRIPTION	UNITS PER ASSY	USABLE ON CODE
		1 2 3 4 5 6 7		
102 -		RUDDER TRIM INSTALLATION -----	NP	
- 1	1261432-5	BUNGEE ASSEMBLY-RUDDER -----	1	
		ATTACHING PARTS -----		
- 2	AN23-11	BOLT -----	1	
- 3	AN23-12	BOLT -----	1	
- 4	AN960-10L	WASHER -----	2	
- 5	AN320-3	NUT -----	2	
- 6	MS24665-132	PIN-COTTER -----	2	
		*-----		
- 7	1260433-1	BELLCRANK ASSEMBLY-RUDDER -----	1	A
- 7A	1260104-1	BELLCRANK ASSEMBLY-RUDDER -----	1	B
		ATTACHING PARTS -----		
- 8	AN23-11	BOLT -----	1	
- 9	AN960-10L	WASHER -----	1	
-10	AN320-3	NUT -----	1	
-11	MS24665-132	PIN-COTTER -----	1	
		*-----		
-12	B 59	BEARING-NEEDLE TOR -----	1	
	1261438-1	SCREWJACK ASSEMBLY-RUDDER -----	1	
		ATTACHING PARTS -----		
-13	AN3-5A	BOLT -----	4	
-14	AN960-10L	WASHER -----	4	
-15	NAS679A3	NUT -----	4	
		*-----		
-16	1261112-3	HOUSING ASSEMBLY-RUDDER -----	1	
-17	S1004-41A	BEARING-FLANGED -----	2	
-18	1261103-2	SCREWJACK SCREW-RUDDER BUNGEE -----	1	
-19	1261107-2	SCREWJACK SHAFT-RUDDER BUNGEE -----	1	
-20	1260428-1	WHEEL ASSEMBLY-RUDDER -----	1	
		ATTACHING PARTS -----		
-21	NAS561-4-12	ROLL PIN EN -----	1	
		*-----		
-22	1260435-2	INDICATOR-RUDDER TRIM -----	1	A
		ATTACHING PARTS -----		
-23	AN23-23A	BOLT -----	1	A
-24	NAS43HT3-72	SPACER -----	1	A
-25	NAS679A3	NUT -----	1	A
		*-----		
-26	1260101-1	INDICATOR-RUDDER TRIM -----	1	B
		ATTACHING PARTS -----		
-27	AN3-5A	BOLT -----	1	B
-28	S1450-3A9-032	WASHER -----	1	B
-29	NAS43HT3-20	SPACER -----	1	B
		*-----		
		A---210 SERIAL 21058819 THRU 21059061 T210 SERIAL T210-0198 THRU T210-0392		
		B---210 SERIAL 21059062 & ON T210 SERIAL T210-0393 & ON		

This page intentionally left blank.

FIGURE AND INDEX NO.	PART NUMBER	DESCRIPTION	UNITS PER ASSY	USABLE ON CODE
		1 2 3 4 5 6 7		
103 -		PITOT SYSTEM INSTALLATION -----	NP	
- 1	SEE FIG 58	INDICATOR-AIRSPEED -----	1	
- 2	SEE FIG 58	INDICATOR-VERTICAL SPEED -----	1	
- 3	SEE FIG 58	INDICATOR-ALTIMETER -----	1	
- 4		LINE ASSEMBLY-AIRSPEED TO ALTIMETER -----	NP	
		ATTACHING PARTS -----		
- 5	S1139-1	TEE-NYLON -----	2	
		*-----		
	S1071-1	TUBE-POLYETHYLENE 7.50 IN LG BULK ITEM -----	1	A
		REF S-1071-1-7.5C -----		
	S1071-1	TUBE-POLYETHYLENE 13.0 IN LG BULK ITEM -----	1	B
		REF S1071-1-13.0 -----		
	S1131-1	INSERT-NYLON -----	2	
	S1130-1	NUT-NYLON -----	2	
- 6		LINE ASSEMBLY-ALTIMETER TO VERTICAL SPEED -----	NP	
		ATTACHING PARTS -----		
- 7	S1135-1	ELBOW-NYLON -----	1	A
- 7A	S1133-1	CONNECTOR -----	1	B
		*-----		
	S1071-1	TUBE-POLYETHYLENE 7.50 IN LG BULK ITEM -----	1	A
		REF S1071-1-7.50 -----		
	S1071-1	TUBE-POLYETHYLENE 11.4 IN LG BULK ITEM -----	1	B
		REF S1071-1-11.4C -----		
	S1131-1	INSERT-NYLON -----	2	
	S1130-1	NUT-NYLON -----	2	
- 8		LINE ASSEMBLY-PITOT AIRSPEED TO BULKHEAD -----	NP	
		ATTACHING PARTS -----		
- 9	S1133-1	CONNECTOR-NYLON -----	1	
-10	S1134-1	BULKHEAD FITTING-NYLON -----	1	
		*-----		
	S1071-1	TUBE-POLYETHYLENE 16.0 IN LG BULK ITEM -----	1	
		REF S-1071-1-16 -----		
	S1131-1	INSERT-NYLON -----	2	
	S1130-1	NUT-NYLON -----	2	
-11		LINE ASSEMBLY-STATIC AIRSPEED TO BULKHEAD -----	NP	
		ATTACHING PARTS -----		
-12	S1134-1	BULKHEAD FITTING-NYLON -----	1	
		*-----		
	S1071-1	TUBE-POLYETHYLENE 16.0 IN LG BULK ITEM -----	1	A
	S1071-1	TUBE-POLYETHYLENE 23.0 IN LG BULK ITEM -----	1	B
		REF S1071-1-23.0 -----		
		REF S-1071-1-16 -----		
	S1131-1	INSERT-NYLON -----	2	
	S1130-1	NUT-NYLON -----	2	
-13		LINE ASSEMBLY-PITOT BULKHEAD TO WING ROOT -----	NP	
	S1071-1	TUBE-POLYETHYLENE 62.0 IN LG BULK ITEM -----	1	
		REF S1071-1-62.0 -----		
	S1131-1	INSERT-NYLON -----	2	
	S1130-1	NUT-NYLON -----	2	
-14		LINE ASSEMBLY-PITOT WING ROOT TO PITOT TUBE -----	NP	
		ATTACHING PARTS -----		
-15	S1132-1	UNION-NYLON -----	1	
-16	MS35489-7	GROMMET -----	1	
-17	S1592-1A	BAND -----	3	
	S1021Z6-6	SCREW -----	3	
		*-----		
	S1071-1	TUBE-POLYETHYLENE * IN LG BULK ITEM -----	1	
		REF S1071-1-* -----		
	S1131-1	INSERT-NYLON -----	2	
	S1330-1	NUT-NYLON -----	2	
		*-----		
		CONTINUED ON NEXT PAGE		

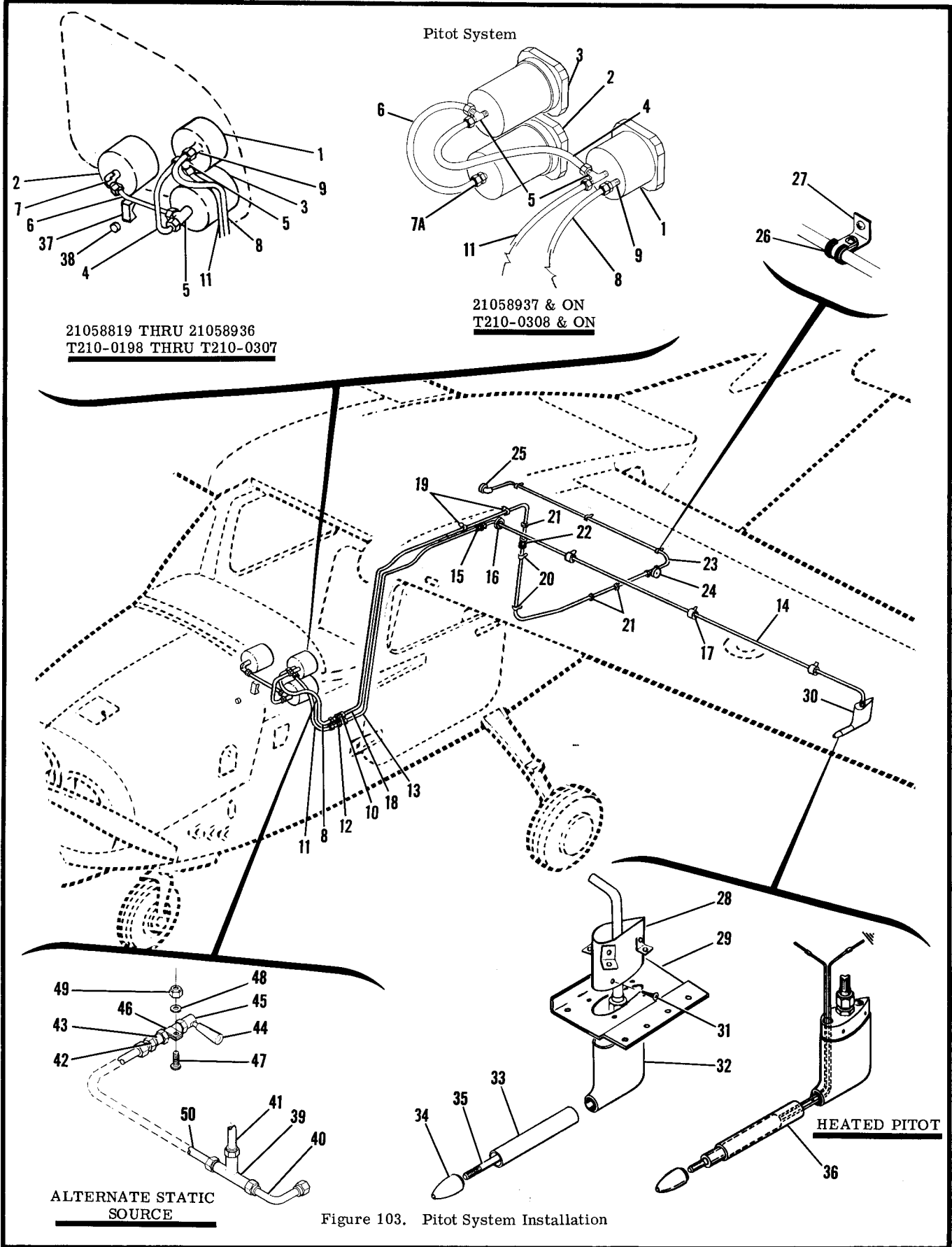


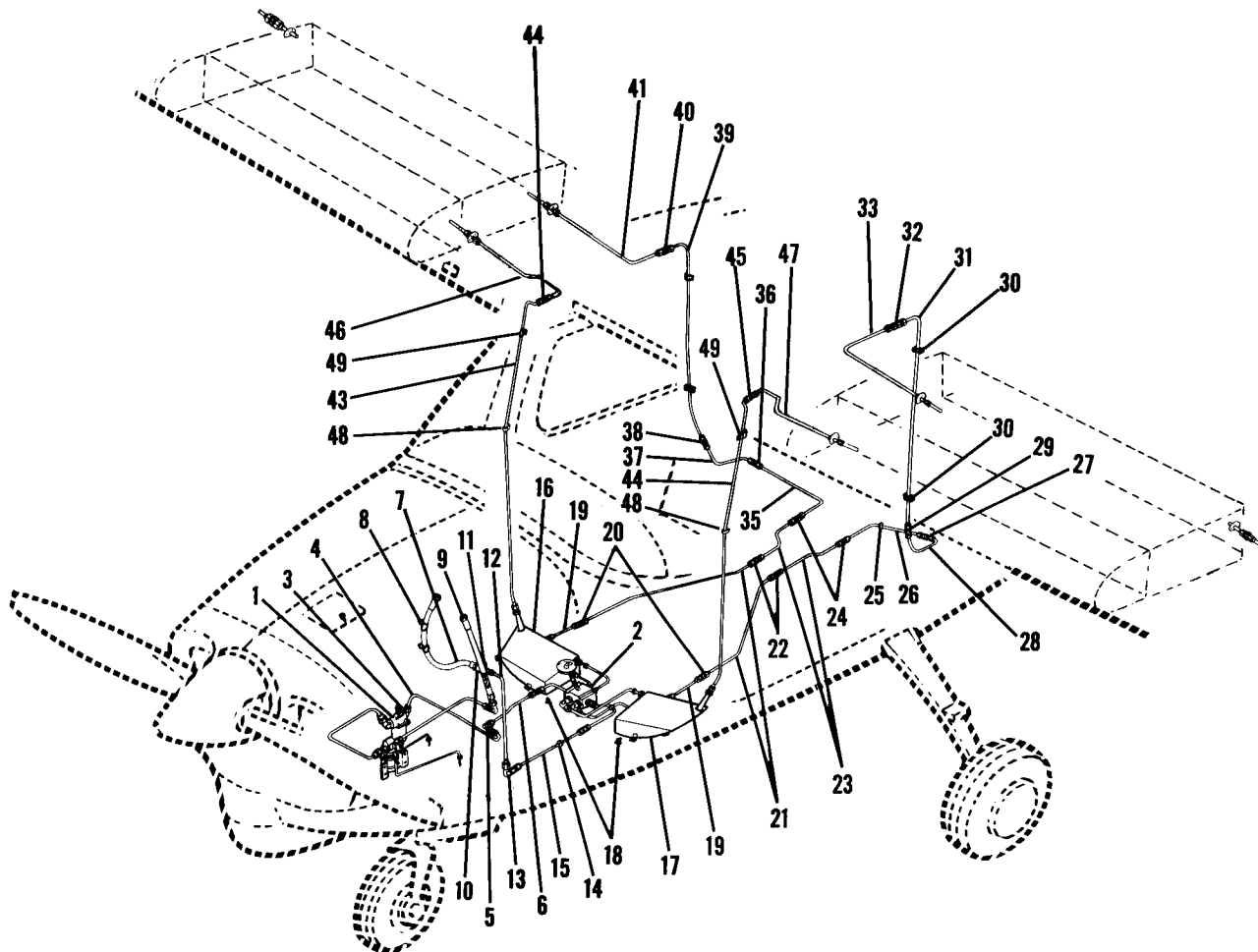
Figure 103. Pitot System Installation

FIGURE AND INDEX NO.	PART NUMBER	DESCRIPTION	UNITS PER ASSY	USABLE ON CODE
103 -18		LINE ASSEMBLY-STATIC BULKHEAD TO STATIC SOURCE ----- ATTACHING PARTS -----	NP	
-19	MS21919DG6	CLAMP -----	2	
-20	S1155-4	CLAMP -----	2	
-21	MS35489-6	GROMMET -----	3	
-22	S1050-1-320	GROMMET -----	2	
	S1071-1	TUBE-POLYETHYLENE 149.0 IN LG BULK ITEM ----- REF S1071-1-149.0 -----	1	
	S1131-1	INSERT-NYLON -----	2	
	S1130-1	NUT-NYLON -----	2	
-23		LINE ASSEMBLY-STATIC STATIC SOURCE TO STATIC SOURCE ----- ATTACHING PARTS -----	NP	
-24	S1138-1	TEE-NYLON -----	1	
-25	S1135-1	ELBOW -----	1	
-26	S1155-4	CLAMP -----	3	
-27	S1154-1	BRACKET -----	2	
	S1021Z8-8	SCREW -----	3	
	S1071-1	TUBE-POLYETHYLENE 42.0 IN LG BULK ITEM ----- REF S1071-1-42 -----	1	
	S1131-1	INSERT-NYLON -----	2	
	S1130-1	NUT-NYLON -----	2	
-28	1221098-2	CONNECTOR ASSEMBLY-PITOT TUBE -----	1	
-29	1221098-3	COUBLER -----	1	
-30	0721105-14	TUBE ASSEMBLY-L SHAPED PITOT -----	1	
	0721105-15	TUBE ASSEMBLY-L SHAPED PITOT HEATED -----	1	
-31	AN507-640R4	ATTACHING PARTS ----- SCREW -----	4	
-32	0721105-13	BODY-PITOT -----	1	
	S1133-2	CONNECTOR-NYLON -----	1	
-33	0721105-3	TUBE-PITOT -----	1	
-34	0721105-4	FITTING-PITOT TUBE NOSE -----	1	
-35	0721105-8	STEM-PITOT TUBE -----	1	
-36	0721105-5	HEATER ASSEMBLY-PITOT -----	1	
-37	S1158-2-1	SWITCH-PITOT HEAT -----	1	
	AN507-632R4	ATTACHING PARTS ----- SCREW -----	2	
-38	S1360-15	CIRCUIT BREAKER ----- STATIC SOURCE INSTALLATION-ALTERNATE -----	1	
-39	S1137-1	TEE-NYLON -----	1	
-40	S1071-1	TUBE-POLYETHYLENE 2.0 IN LG BULK ITEM ----- REF S1071-1-2.0 -----	1	
	S1131-1	INSERT-NYLON -----	2	
	S1130-1	NUT-NYLON -----	2	
-41	S1071-1	TUBE-POLYETHYLENE 16.0 IN LG BULK ITEM ----- REF S1071-1-16 -----	1	
	S1131-1	INSERT-NYLON -----	1	
	S1130-1	NUT-NYLON -----	1	
-42	S1133-1	CONNECTOR -----	1	
-43	AN910-1D	COUPLING -----	1	
-44	S430-1	KNCB -----	1	
-45	0511199-20	VALVE -----	1	
-46	AN742D9	ATTACHING PARTS ----- CLAMP -----	1	
-47	AN520-10R14	SCREW -----	1	
-48	AN960D10	WASHER -----	1	
-49	NAS679A3	NUT -----	1	
-50	S1071-1 *	TUBE-POLYETHYLENE * IN LG BULK ITEM ----- REF S1071-1-* -----	1	
	S1131-1	INSERT-NYLON -----	2	
	S1130-1	NUT-NYLON -----	2	

NOTE. *LENGTHS TO BE ADDED LATER.

A---210 SERIAL 21058819 THRU 21058936
T210 SERIAL T210-0198 THRU T210-0307
B---210 SERIAL 21058937 & ON
T210 SERIAL T210-0308 & ON

Fuel System



**210 SERIAL 21058819 THRU 21059061
T210 SERIAL T210-0198 THRU T210-0392**

Figure 104. Fuel System Installation



FIGURE AND INDEX NO.	PART NUMBER	DESCRIPTION	UNITS	USABLE
			PER ASSY	ON CODE
		1 2 3 4 5 6 7		
104 -		FUEL SYSTEM INSTALLATION -----	NP	A
- 1	SEE FIG 105	AUXILIARY FUEL PUMP & STRAINER INSTALLATION -----	1	
- 2	SEE FIG 107	FUEL SELECTOR VALVE INSTALLATION -----	1	
- 3	MS20823-8D	ELBOW -----	2	
- 4	120C406-61	LINE ASSEMBLY-FUEL ----- 210 SERIAL 21058819 -----	1	
		ATTACHING PARTS ----- THRU 21059061 -----		
- 5	AN833-8D	ELBOW -----	1	
	AN960D1216L	WASHER -----	2	
	AN924-8D	NUT -----	1	
		-----*----- T210 SERIAL T210-0198 -----		
- 6	12C0106-78	LINE ASSEMBLY-FUEL -----	1	
- 7	S1236-4-029.C	HOSE ASSEMBLY-FUEL ----- THRU T210-0392 -----	1	
		ATTACHING PARTS -----		
- 8	MS21919D7	CLAMP -----	2	
	AN515-8R8	SCREW -----	2	
	NAS679A08	NUT -----	2	
	0550100-9	BRACKET -----	2	
		-----*-----		
- 9	S1167-8	HOSE ASSEMBLY-FUEL -----	1	
	S1127-8-6.00	SLEEVE -----	1	
	NAS397-16	CLAMP -----	AR	
-10	366-C0	CHECK VALVE-FUEL -----	1	
	1111-517700	CHECK VALVE-FUEL ----- DUKA PA ALTERNATE -----	1	
		ATTACHING PARTS -----		
-11	AN742D17	CLAMP -----	1	
	AN3-3A	BOLT -----	1	
	NAS43DD3-12	SPACER -----	1	
		-----*-----		
-12	S1236-4-0150	HOSE ASSEMBLY-FUEL -----	1	
		ATTACHING PARTS -----		
-13	AN833-4D	ELBOW -----	1	
	AN924-4D	NUT -----	1	
	AN960D716L	WASHER -----	1	
		-----*-----		
-14	MS35489-36	GROMMET -----	1	
-15	120C406-12	LINE ASSEMBLY-FUEL -----	1	
-16	1216407-12	RESERVOIR ASSEMBLY-FUEL RH -----	1	
-17	1216407-11	RESERVOIR ASSEMBLY-FUEL LH -----	1	
-18	MS20913-1	PLUG-FUEL RESERVOIR -----	1	
-19	120C406-68	LINE ASSEMBLY-FUEL RESERVOIR TO UNION -----	2	
		ATTACHING PARTS -----		
-20	AN815-6D	UNION -----	1	
		-----*-----		
-21	120C406-55	LINE ASSEMBLY-FUEL -----	2	
		ATTACHING PARTS -----		
-22	AN832-6D	UNION -----	1	
	AN960D916L	WASHER -----	1	
	AN924-6D	NUT -----	1	
		-----*-----		
-23	120C406-25	LINE ASSEMBLY-FUEL -----	2	
		ATTACHING PARTS -----		
-24	AN832-6D	UNION -----	1	
	AN960D916L	WASHER -----	1	
	AN924-6D	NUT -----	1	
		-----*-----		
-25	MS35489-41	GROMMET -----	1	
-26	120C406-21	LINE ASSEMBLY-FUEL -----	1	
		ATTACHING PARTS -----		
-27	AN832-6D	UNION -----	1	
	AN960D916L	WASHER -----	1	
	AN924-6D	NUT -----	1	
		-----*-----		
-28	120C406-19	LINE ASSEMBLY-FUEL -----	1	
		ATTACHING PARTS -----		
-29	AN815-6D	UNION -----	1	
		-----*-----		

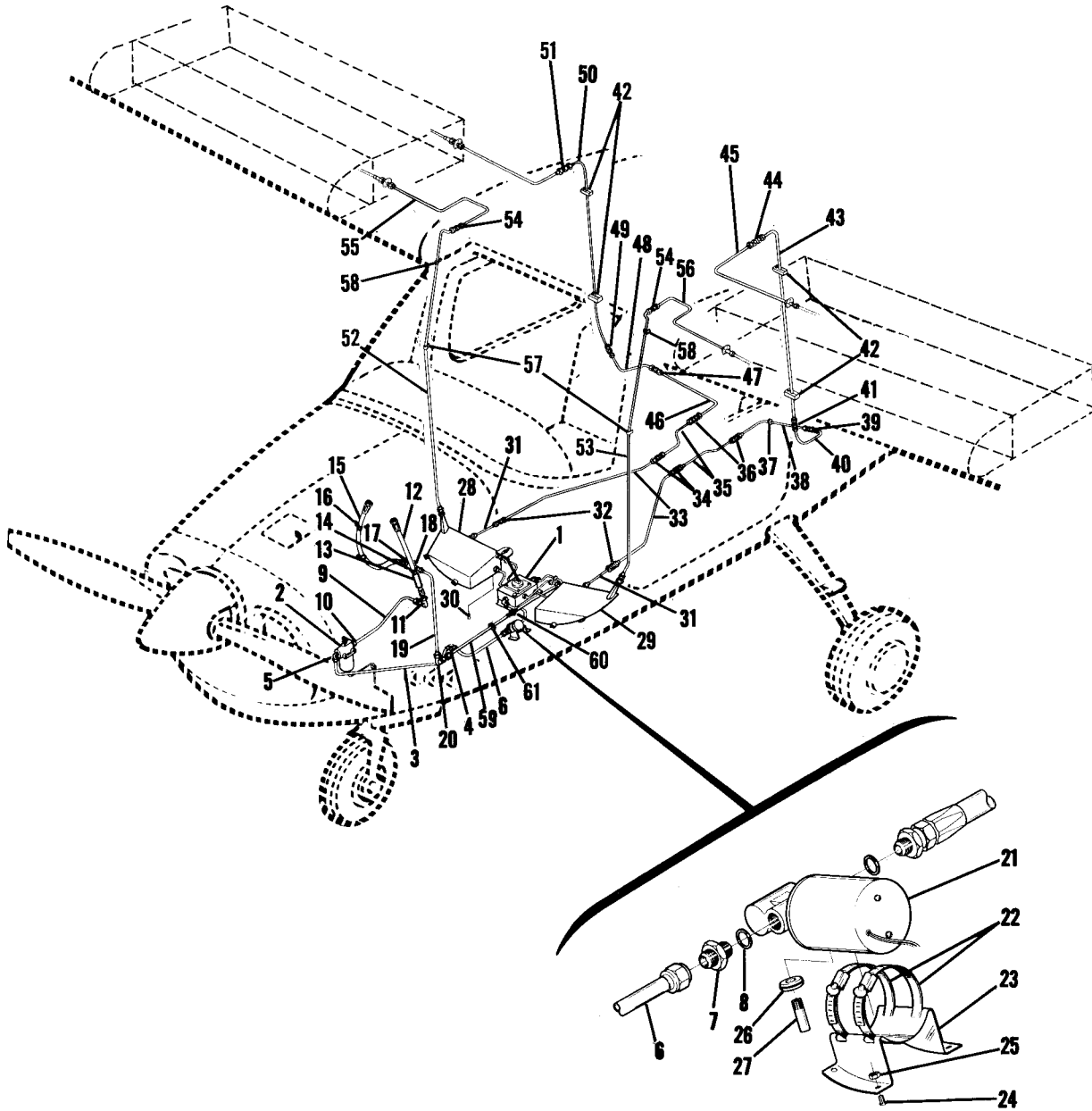
CONTINUED ON NEXT PAGE

FIGURE AND INDEX NO.	PART NUMBER	DESCRIPTION	UNITS PER ASSY	USABLE ON CODE
104 -30	1280613-3	BLOCK-BOTTOM ----- ATTACHING PARTS -----	8	
	AN515-8R18	SCREW ----- -----*	1	
-31	1200406-81	LINE ASSEMBLY-FUEL ----- ATTACHING PARTS -----	1	
-32	AN815-6D	UNION ----- -----*	1	
-33	1200406-87	LINE ASSEMBLY-FUEL -----	1	
-34		DELETED NEVER USED -----		
-35	1200406-22	LINE ASSEMBLY-FUEL ----- ATTACHING PARTS -----	1	
-36	AN832-6D	UNION -----	1	
	AN924-6D	NUT -----	1	
	AN960D916L	WASHER ----- -----*	1	
-37	1200406-20	LINE ASSEMBLY-FUEL ----- ATTACHING PARTS -----	1	
-38	AN832-6D	UNION -----	1	
	AN924-6D	NUT -----	1	
	AN960D916L	WASHER ----- -----*	1	
-39	1200406-82	LINE ASSEMBLY-FUEL ----- ATTACHING PARTS -----	1	
-40	AN815-6D	UNION ----- -----*	1	
-41	1200406-88	LINE ASSEMBLY-FUEL -----	1	
-42		DELETED NEVER USED -----		
-43	1200406-92	LINE ASSEMBLY-FUEL RH -----	1	
-44	1200406-91	LINE ASSEMBLY-FUEL LH ----- ATTACHING PARTS -----	1	
-45	AN815-6D	UNION ----- -----*	1	
-46	1200406-89	LINE ASSEMBLY-FUEL -----	1	
-47	1200406-90	LINE ASSEMBLY-FUEL -----	1	
-48	AN742D6	CLAMP -----	2	
-49	MS21919DG6	CLAMP -----	2	
	AN515-8R6	SCREW -----	2	
<p>A---210 SERIAL 21058819 THRU 21059061 T210 SERIAL T210-0198 THRU T210-0392</p>				

FIGURE AND INDEX NO.	PART NUMBER	DESCRIPTION	UNITS PER ASSY	USABLE ON CODE
		1 2 3 4 5 6 7		
104A-		FUEL SYSTEM INSTALLATION -----	NP	A
- 1	SEE FIG 107A	FUEL SELECTOR VALVE INSTALLATION -----	1	
- 2	SEE FIG 106	FUEL STRAINER AND DRAIN INSTALLATION -----	1	
- 3	1200406-100	LINE ASSEMBLY-FUEL -----	1	
		ATTACHING PARTS		
- 4	AN833-8D	ELBOW -----	1	
	AN960D1216L	WASHER -----	2	
	AN924-8D	NUT -----	1	
	MS20822-8	ELBOW -----	1	
		-----*		
- 6	1200406-96	LINE ASSEMBLY-FUEL VENT -----	1	
		ATTACHING PARTS		
- 7	AN919-12D	REDUCER -----	1	
- 8	MS29512-8	GASKET -----	1	
		-----*		
- 9	1200406-99	LINE ASSEMBLY-FUEL -----	1	
		ATTACHING PARTS		
-10	AN816-8D	NIPPLE -----	1	
-11	AN833-8D	ELBOW -----	1	
	AN960D1216L	WASHER -----	2	
	AN924-8D	NUT -----	1	
		-----*		
-12	S1167-8	HOSE ASSEMBLY-FUEL -----	1	
-13	S1127-8-6.00	SLEEVE -----	1	
-14	NAS397-16	CLAMP -----	AR	
-15	S1236-4-29.00	HOSE ASSEMBLY-FUEL -----	1	
		ATTACHING PARTS		
-16	MS21919D7	CLAMP -----	2	
	AN515-8R8	SCREW -----	2	
	NAS679A08	NUT -----	2	
	0550100-9	BRACKET -----	2	
		-----*		
-17	336-C0	CHECK VALVE-FUEL -----	1	
	1111-517700	CHECK VALVE-FUEL -----	1	
		ATTACHING PARTS		
-18	AN742D17	CLAMP -----	1	
	AN3-3A	BOLT -----	1	
	NAS43DD3-12	SPACER -----	1	
		-----*		
-19	S1236-4-0150	HOSE ASSEMBLY-FUEL -----	1	
		ATTACHING PARTS		
-20	AN833-4D	ELBOW -----	1	
	AN924-4D	NUT -----	1	
	AN960D716L	WASHER -----	1	
		-----*		
-21	4140-00-17	PUMP-AUXILIARY FUEL -----	1	
		ATTACHING PARTS		
-22	AN737TW91	CLAMP -----	2	
		-----*		
-23	1256006-1	BRACKET-FUEL PUMP -----	1	
		ATTACHING PARTS		
-24	AN525-10R8	SCREW -----	4	
-25	NAS679A3	NUT -----	4	
		-----*		
-26	MS35489-9	GROMMET -----	1	
-27	1216018-1	LINE ASSEMBLY-PUMP DRAIN -----	1	

CONTINUED ON NEXT PAGE

Fuel System (Cont)



210 SERIAL 21059062 & ON
T210 SERIAL T210-0393 & ON

Figure 104A. Fuel System Installation

FIGURE AND INDEX NO.	PART NUMBER	DESCRIPTION	UNITS PER ASSY	USABLE ON CODE
		1 2 3 4 5 6 7		
104A-28	1216407-12	RESERVOIR ASSEMBLY-FUEL RH -----	1	
-29	1216407-11	RESERVOIR ASSEMBLY-FUEL LH -----	1	
-30	MS20913-1	PLUG-FUEL RESERVOIR -----	1	
-31	1200406-68	LINE ASSEMBLY-FUEL RESERVOIR TO UNION -----	2	
		ATTACHING PARTS -----		
-32	AN815-6D	UNION -----	1	
		-----*		
-33	1200406-55	LINE ASSEMBLY-FUEL -----	2	
		ATTACHING PARTS -----		
-34	AN832-6D	UNION -----	1	
	AN960D916L	WASHER -----	1	
	AN924	NUT -----	1	
		-----*		
-35	1200406-25	LINE ASSEMBLY-FUEL -----	2	
		ATTACHING PARTS -----		
-36	AN832-6D	UNION -----	1	
	AN960D916L	WASHER -----	1	
	AN924-6D	NUT -----	1	
		-----*		
-37	MS35489-41	GROMMET -----	1	
-38	1200406-21	LINE ASSEMBLY-FUEL -----	1	
		ATTACHING PARTS -----		
-39	AN832-6D	UNION -----	1	
	AN960D916L	WASHER -----	1	
	AN924-6D	NUT -----	1	
		-----*		
-40	1200406-19	LINE ASSEMBLY-FUEL -----	1	
		ATTACHING PARTS -----		
-41	AN815-6D	UNION -----	1	
		-----*		
-42	1280613-3	BLOCK-BOTTOM -----	8	
		ATTACHING PARTS -----		
	AN515-8R18	SCREW -----	4	
		-----*		
-43	1200406-81	LINE ASSEMBLY-FUEL -----	1	
		ATTACHING PARTS -----		
-44	AN815-6D	UNION -----	1	
		-----*		
-45	1200406-87	LINE ASSEMBLY-FUEL -----	1	
-46	1200406-22	LINE ASSEMBLY-FUEL -----	1	
		ATTACHING PARTS -----		
-47	AN832-6D	UNION -----	1	
	AN924-6D	NUT -----	1	
	AN960D916L	WASHER -----	1	
		-----*		
-48	1200406-20	LINE ASSEMBLY-FUEL -----	1	
		ATTACHING PARTS -----		
-49	AN832-6D	UNION -----	1	
	AN924-6D	NUT -----	1	
	AN960D916L	WASHER -----	1	
		-----*		
-50	1200406-82	LINE ASSEMBLY-FUEL -----	1	
		ATTACHING PARTS -----		
-51	AN815-6D	UNION -----	1	
		-----*		
-52	1200406-92	LINE ASSEMBLY-FUEL RH -----	1	
-53	1200406-91	LINE ASSEMBLY-FUEL LH -----	1	
		ATTACHING PARTS -----		
-54	AN815-6D	UNION -----	2	
		-----*		
-55	1200406-89	LINE ASSEMBLY-FUEL -----	1	
-56	1200406-90	LINE ASSEMBLY-FUEL -----	1	
-57	AN742D6	CLAMP -----	2	
-58	MS21919DG6	CLAMP -----	2	
	AN515-8R6	SCREW -----	2	
-59	1200406-12	LINE ASSEMBLY-FUEL -----	1	
		ATTACHING PARTS -----		
-60	AN832-4D	UNION -----	1	
	AN924-4D	NUT -----	1	
	AN960D716L	WASHER -----	1	
		-----*		
-61	MS35489-36S	GROMMET -----	1	

A---210 SERIAL 21059C62 & ON
T210 SERIAL T210-0393 & ON

This page intentionally left blank.

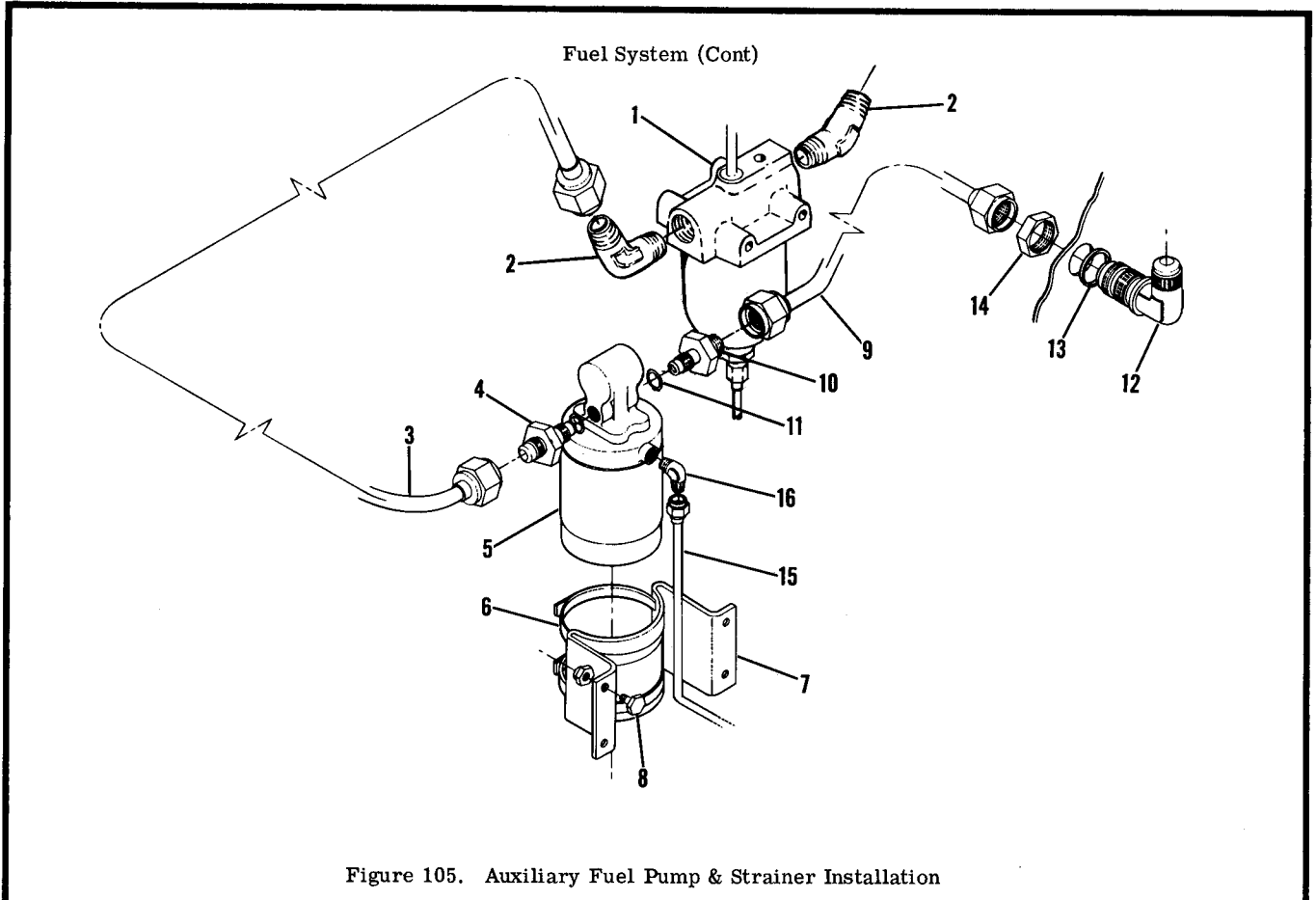


Figure 105. Auxiliary Fuel Pump & Strainer Installation

FIGURE AND INDEX NO.	PART NUMBER	DESCRIPTION	UNITS PER ASSY	USABLE ON CODE
105 -		1 2 3 4 5 6 7		
- 1	SEE FIG 106	AUXILIARY FUEL PUMP & STRAINER INSTALLATION -----	NP	A
- 2	MS20823-8D	STRAINER & DRAIN INSTALLATION -----	1	
- 3	120C406-74	ELBOW -----	2	
		LINE ASSEMBLY-FUEL STRAINER TO PUMP -----	1	
- 4	AN919-12D MS29512-8	ATTACHING PARTS REDUCER -----	1	
		GASKET ----- 210 SERIAL 21058819 -----	1	
		-----*----- THRU 21059061 -----		
- 5	414C-00-17	PUMP-AUXILIARY FUEL DUKA -----	1	
		ATTACHING PARTS -----		
- 6	AN737TW91	CLAMP -----	2	
		-----*----- T210 SERIAL T210-0198 -----		
- 7	1216498-1	BRACKET-FUEL PUMP -- ATTACHING PARTS -----	1	
		THRU T210-0392 -----		
- 8	AN3-3A NAS679A3	BOLT -----	4	
		NUT -----	4	
		-----*-----		
- 9	120C406-63	LINE ASSEMBLY-FUEL PUMP TO KEEL -----	1	
		ATTACHING PARTS -----		
-10	AN919-12D	REDUCER -----	1	
-11	MS29512-8	GASKET -----	1	
-12	AN833-8D	ELBOW -----	1	
-13	AN960D1216L	WASHER -----	1	
-14	AN924-8D	NUT -----	1	
		-----*-----		
-15	120C406-65	LINE ASSEMBLY-PUMP DRAIN -----	1	
		ATTACHING PARTS -----		
-16	TF1C052	ELBOW TUFC -----	1	
		-----*-----		
		A---210 SERIAL 21058819 THRU 21059061 T210 SERIAL T210-0198 THRU T210-0392		

Fuel System (Cont)

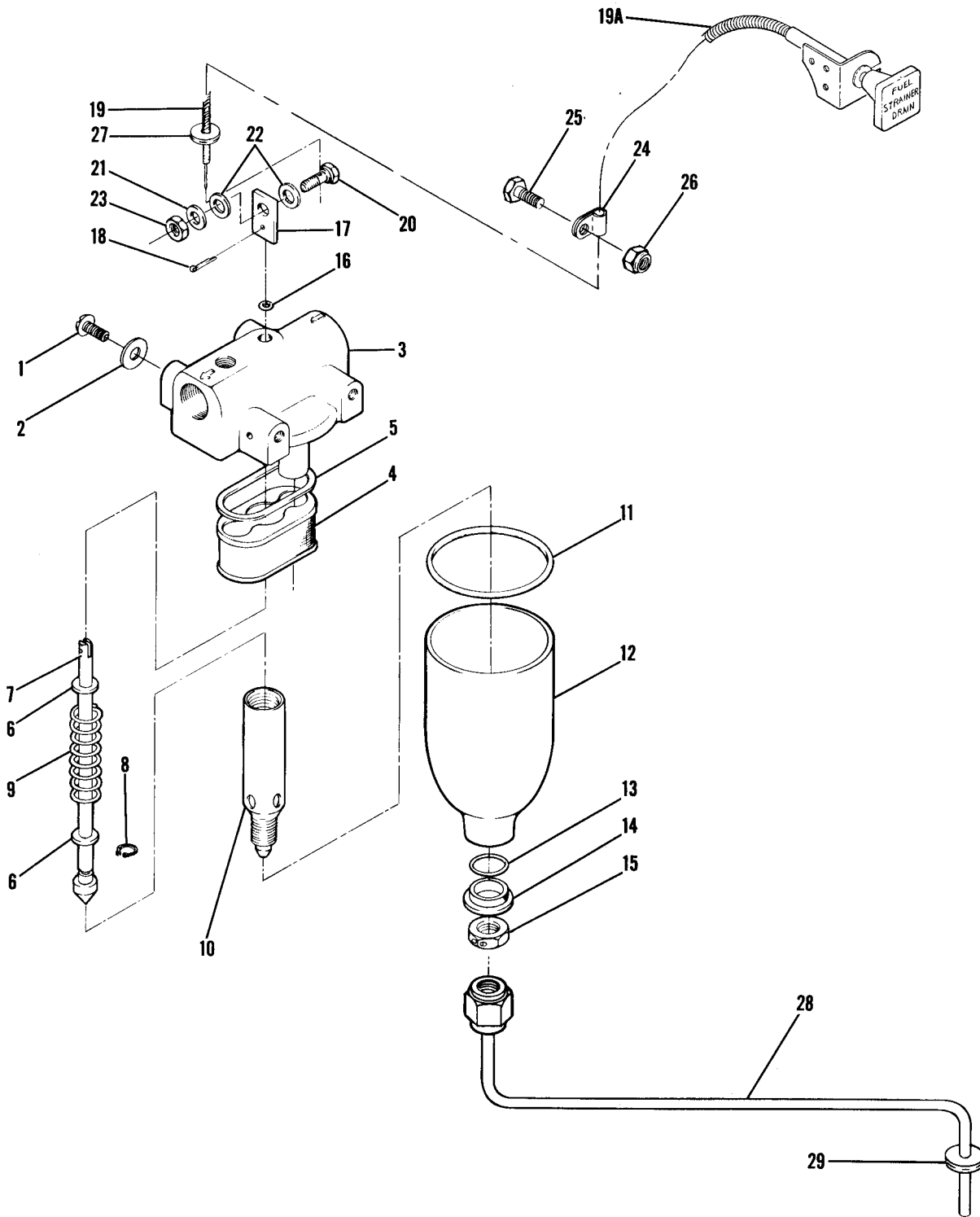
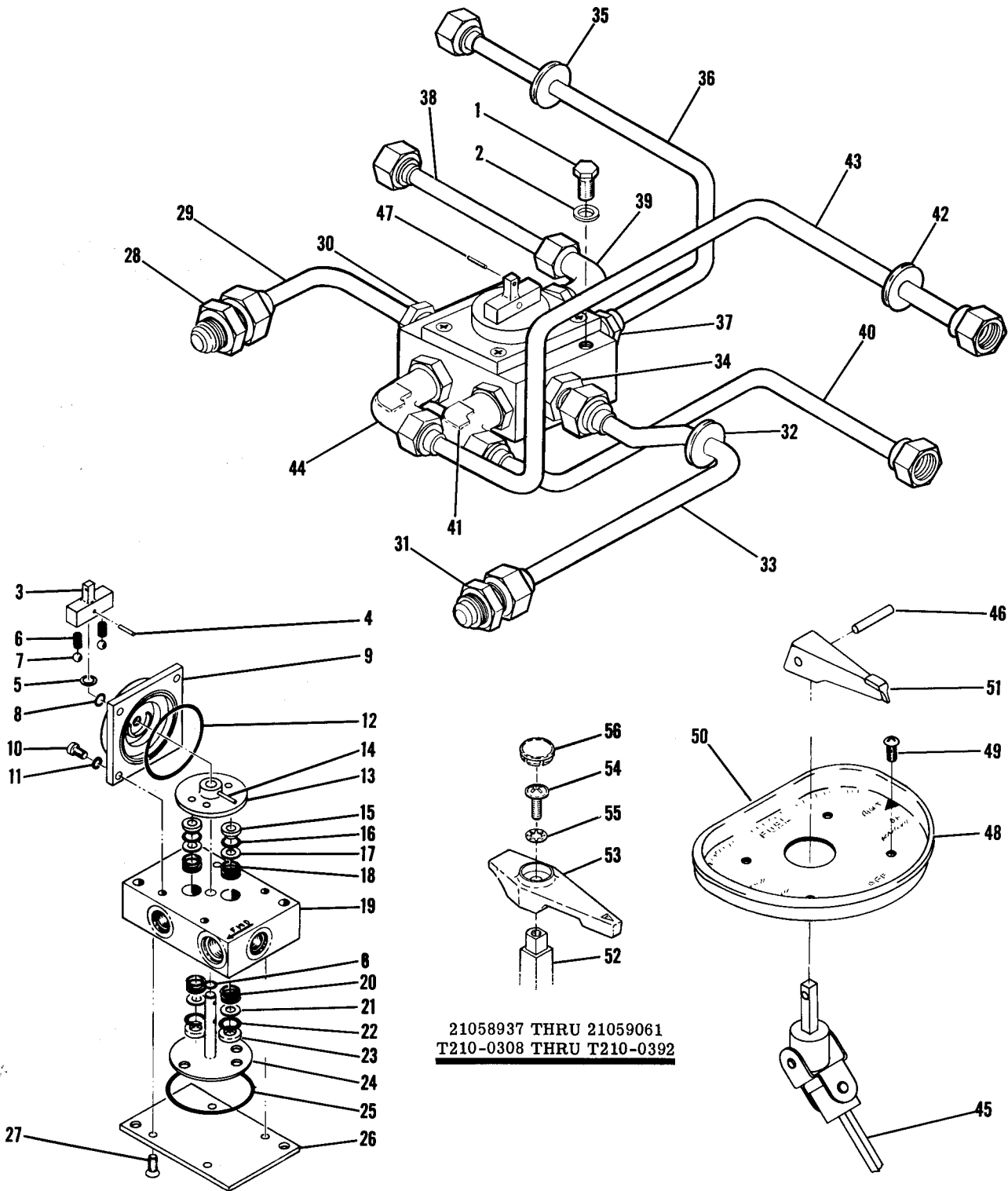


Figure 106. Fuel Strainer & Drain Installation

FIGURE AND INDEX NO.	PART NUMBER	DESCRIPTION	UNITS PER ASSY	USABLE ON CODE
106 -		1 2 3 4 5 6 7		
	0756005-3	FUEL STRAINER AND DRAIN INSTALLATION ----- STRAINER ASSEMBLY-FUEL ----- ATTACHING PARTS	NP 1	
- 1	MS20074-03-3	BOLT -----	2	
- 2	AN936A10	WASHER ----- ---*---	2	
- 3	0756005-2	TOP ASSEMBLY-FUEL STRAINER -----	1	
- 4	0756009-7	FILTER ASSEMBLY-FUEL STRAINER -----	1	
- 5	0756009-5	GASKET -----	1	
- 6	0756014-2	WASHER -----	2	
- 7	0756010-1	PLUNGER ASSEMBLY-FUEL STRAINER -----	1	
- 8	MS16624-25	SNAP RING -----	1	
- 9	0756012-1	SPRING -----	1	
-10	0756011-1	STANDPIPE -----	1	
-11	MS29513-138	O-RING -----	1	
-12	0756008-1	BOWL -----	1	
-13	MS29513-111	O-RING -----	1	
-14	0756015-1	WASHER -----	1	
-15	S1573-3	NUT -----	1	
-16	MS29513-10	O-RING -----	1	
-17	0756014-1	PLATE ----- ATTACHING PARTS	1	
-18	MS24665-132	COTTER PIN ----- ---*---	1	
-19	S1533-2	CONTRCL-STRAINER DRAIN -----	1	A
-19A	S1517-5	CONTRCL-STRAINER DRAIN ----- ATTACHING PARTS	1	B
-20	C450311-3	CLAMP -----	1	
-21	AN960-416	WASHER -----	1	
-22	AN960-416L	WASHER -----	2	
-23	NAS679A4	NUT -----	1	
-24	AN742D3	CLAMP -----	1	
-25	AN3-5A	BOLT -----	1	
-26	NAS679A3	NUT ----- ---*---	1	
-27	MS35489-134	GROMMET -----	1	
-28	1200406-75	LINE ASSEMBLY-STRAINER DRAIN -----	1	
-29	MS35489-134	GROMMET -----	1	
		A---210 SERIAL 21058819 THRU 21058936 T210 SERIAL T210-0198 THRU T210-0307		
		B---210 SERIAL 21058937 & ON T210 SERIAL T210-0308 & ON		

Fuel System (Cont)



210 SERIAL 21058819 THRU 21059061
T210 SERIAL T210-0198 THRU T210-0392

Figure 107. Fuel Selector Valve Installation



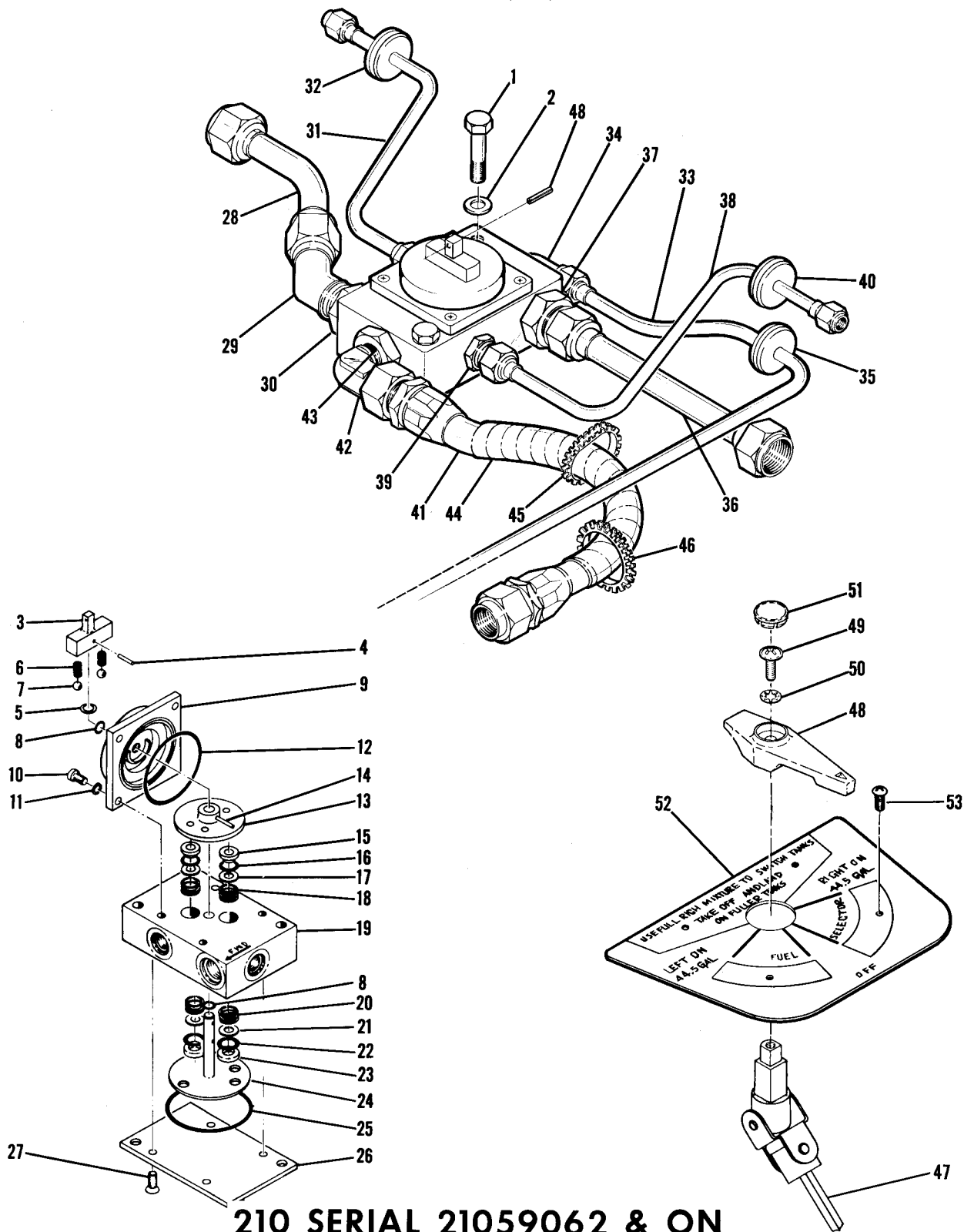
FIGURE AND INDEX NO.	PART NUMBER	DESCRIPTION	UNITS PER ASSY	USABLE ON CODE		
					1	2
107 -	HE764	FUEL SELECTOR VALVE INSTALLATION ----- VALVE ASSEMBLY-FUEL SELECTOR HEAC ----- ATTACHING PARTS ----- *-----	NP 1	C		
- 1	AN4-16A	BOLT -----	2			
- 2	AN960416D	WASHER -----	2			
- 3	HE1328	YOKE HEAC -----	1			
- 4	NAS561P3-6	ATTACHING PARTS ----- PIN ----- *-----	1			
- 5	HE194	WASHER HEAC -----	1			
- 6	HE189	SPRING HEAC -----	2			
- 7		STEEL BALL 1/4 IN DIA HEAC -----	NP			
- 8	MS29513-10	O-RING -----	1			
- 9		COVER HEAC ----- ATTACHING PARTS -----	NP			
-10	AN500-8-6	SCREW -----	4			
-11	AN935-8	LOCKWASHER ----- *-----	4			
-12	MS29513-130	O-RING -----	1			
-13		ROTOR HEAC ----- ATTACHING PARTS -----	NP			
-14	NAS516P3-11	PIN ----- *-----	1			
-15	HE1331	SEAL HEAC -----	2			
-16	MS29513-11	O-RING -----	2			
-17	HE1332	WASHER HEAC -----	2			
-18	HE191	SPRING HEAC -----	2			
-19		BODY HEAC -----	NP			
-20	HE1251	SPRING -----	2			
-21	HE1285	WASHER -----	2			
-22	MS29513-14	O-RING -----	2			
-23	HE1286	SEAL HEAC -----	2			
-24		ROTOR HEAC -----	NP			
-25	MS29513-133	O-RING -----	1			
-26		PLATE-SUMP HEAC ----- ATTACHING PARTS -----	NP			
-27	AN507-832R6	SCREW ----- *-----	4			
-28	AN815-8D	UNION -----	1			
-29	1200106-77	LINE ASSEMBLY-FUEL ----- ATTACHING PARTS -----	1			
-30	AN815-8D	UNION -----	1			
	MS29512-8	GASKET ----- *-----	1			
-31	AN832-4D	UNION -----	1			
	AN960D716L	WASHER -----	1			
	AN924-4D	NUT -----	1			
-32	MS35489-36	GROMMET -----	1			
-33	1200106-63	LINE ASSEMBLY-FUEL ----- ATTACHING PARTS -----	1			
-34	AN815-4D	UNION -----	1			
	MS29512-4	GASKET ----- *-----	1			
-35	MS35489-36	GROMMET -----	1			
-36	1200406-70	LINE ASSEMBLY-FUEL ----- ATTACHING PARTS -----	1			
-37	AN815-4D	UNION -----	1			
	MS29512-4	GASKET ----- *-----	1			

CONTINUED ON NEXT PAGE

FIGURE AND INDEX NO.	PART NUMBER	DESCRIPTION	UNITS PER ASSY	USABLE ON CODE
107 -38	1200406-66	LINE ASSEMBLY-FUEL ----- ATTACHING PARTS -----	1	
-39	AN921-8D MS29512-8 AN924-8D	ELBOW ----- GASKET ----- NUT ----- ---*---	1 1 1	
-40	1200406-67	LINE ASSEMBLY-FUEL ----- ATTACHING PARTS -----	1	
-41	AN921-8D MS29512-8 AN924-8D	ELBOW ----- GASKET ----- NUT ----- ---*---	1 1 1	
-42	MS35489-36	GROMMET -----	1	
-43	1200406-69	LINE ASSEMBLY ----- ATTACHING PARTS -----	1	
-44	AN921-4D MS29512-4 AN924-4D	ELBOW ----- GASKET ----- NUT ----- ---*---	1 1 1	
-45	1216600-200	SHAFT ASSEMBLY-FUEL SELECTOR -----	1	A
-46	NAS561-2-10	ROLL PIN -----	1	A
-47	NAS561-2-10	ROLL PIN -----	1	
-48	0716610-1	CUP-FUEL SELECTOR ----- ATTACHING PARTS -----	1	
-49	S102174-6	SCREW ----- ---*---	4	
-50	1216015-9	PLACARD -----	1	
-51	C716612-201	HANDLE-FUEL SELECTOR -----	1	A
-52	1216608-200	SHAFT ASSEMBLY-FUEL SELECTOR -----	1	B
-53	C716623-2	HANDLE-FUEL SELECTOR ----- ATTACHING PARTS -----	1	B
-54	AN525-8R6	SCREW -----	1	B
-55	AN936A8	WASHER ----- ---*---	1	B
-56	0716624-1	CAP -----	1	B
<p>A---210 SERIAL 21058819 THRU 21058936 T210 SERIAL T210-0198 THRU T210-0307 B---210 SERIAL 21058937 THRU 21059061 T210 SERIAL T210-0308 THRU T210-0392 C---210 SERIAL 21058819 THRU 21059061 T210 SERIAL T210-0198 THRU T210-0392</p>				

FIGURE AND INDEX NO.	PART NUMBER	DESCRIPTION	UNITS PER ASSY	USABLE ON CODE
		1 2 3 4 5 6 7		
107A-	PE764	FUEL SELECTOR VALVE INSTALLATION -----	NP	A
- 1	AN4-16A	VALVE ASSEMBLY-FUEL SELECTOR HEAC -----	1	
- 2	AN960-416D	ATTACHING PARTS -----		
		BOLT ----- 210 SERIAL -----	2	
		WASHER ----- 21059062 & ON -----	2	
		-----*-----		
- 3	HE1328	YOKE HEAC -----	1	
		ATTACHING PARTS -----		
- 4	NAS561P3-6	PIN ----- T210 SERIAL -----	1	
		-----*-----		
- 5	HE194	WASHER HEAC ----- T210-0393 & ON -----	1	
- 6	HE189	SPRING HEAC -----	2	
- 7		STEEL BALL 1/4 IN DIA HEAC -----	NP	
- 8	MS29513-10	O-RING -----	2	
- 9		COVER HEAC -----	NP	
		ATTACHING PARTS -----		
-10	AN500-8-6	SCREW -----	4	
-11	AN935-8	LOCKWASHER -----	4	
		-----*-----		
-12	MS29513-130	O-RING -----	1	
-13		RCTCR HEAC -----	NP	
		ATTACHING PARTS -----		
-14	NAS516P3-11	PIN -----	1	
		-----*-----		
		CONTINUED ON NEXT PAGE		

Fuel System (Cont)



210 SERIAL 21059062 & ON
T210 SERIAL T210-0393 & ON

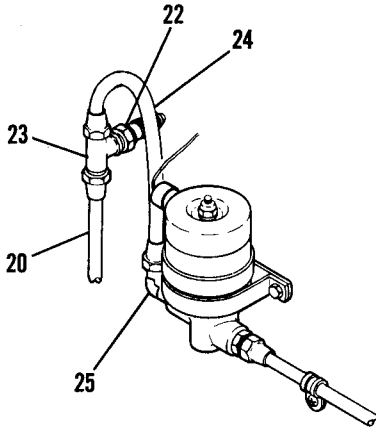
Figure 107A. Fuel Selector Valve Installation

FIGURE AND INDEX NO.	PART NUMBER	DESCRIPTION	UNITS PER ASSY	USABLE ON CODE
		1 2 3 4 5 6 7		
107A-15	HE1331	SEAL HEAC -----	2	
-16	MS29513-11	O-RING -----	2	
-17	HE1332	WASHER HEAC -----	2	
-18	HE191	SPRING HEAC -----	2	
-19		BODY HEAC -----	NP	
-20	HE1251	SPRING -----	2	
-21	HE1285	WASHER -----	2	
-22	MS29513-14	O-RING -----	2	
-23	HE1286	SEAL HEAC -----	2	
-24		ROTOR HEAC -----	NP	
-25	MS29513-133	O-RING -----	1	
-26		PLATE-SUMP HEAC -----	NP	
		ATTACHING PARTS		
-27	AN507-832R6	SCREW -----	4	
		*-----		
-28	1200406-95	LINE ASSEMBLY-FUEL -----	1	
		ATTACHING PARTS		
-29	AN837-8D	ELBOW -----	1	
-30	AN924-8C	NUT -----	1	
	MS29512-8	GASKET -----	1	
		*-----		
-31	1200406-94	LINE ASSEMBLY-FUEL VENT -----	1	
		ATTACHING PARTS		
	AN815-4D	UNION -----	1	
	MS29512-4	GASKET -----	1	
		*-----		
-32	MS35489-36	GROMMET -----	1	
-33	1200406-97	LINE ASSEMBLY-FUEL -----	1	
		ATTACHING PARTS		
-34	AN921-4D	ELBOW -----	1	
	MS29512-4	GASKET -----	1	
	AN924-4D	NUT -----	1	
		*-----		
-35	MS35489-36	GROMMET -----	1	
-36	1200406-98	LINE ASSEMBLY-FUEL -----	1	
		ATTACHING PARTS		
-37	AN815-8D	UNION -----	1	
	MS29512-8	GASKET -----	1	
		*-----		
-38	1200406-93	LINE ASSEMBLY-FUEL VENT -----	1	
		ATTACHING PARTS		
-39	AN815-4D	UNION -----	1	
	MS29512-4	GASKET -----	1	
		*-----		
-40	MS35489-36	GROMMET -----	1	
-41	S1236-8-*	HOSE ASSEMBLY-FUEL -----	1	
		ATTACHING PARTS		
-42	AN921-8D	ELBOW -----	1	
	MS29512-8	GASKET -----	1	
-43	AN924-8D	NUT -----	1	
		*-----		
-44	S1399-1-7.0	SLEEVE -----	1	
-45	S1050-2-3.96	GROMMET -----	1	
-46	S1050-1-3.50	GROMMET -----	1	
-47	1216608-200	SHAFT ASSEMBLY-FUEL SELECTOR -----	1	
-48	0716623-2	HANDLE-FUEL SELECTOR -----	1	
		ATTACHING PARTS		
-49	AN525-8R6	SCREW -----	1	
-50	AN936A8	WASHER -----	1	
		*-----		
-51	0716624-1	CAP -----	1	
-52	SEE FIG 2	PLACARD ASSEMBLY-FUEL SELECTOR VALVE -----	1	

NOTE. *LENGTH TO BE ADDED LATER.

A---210 SERIAL 21059062 & ON
T210 SERIAL T210-0393 & ON

Fuel System (Cont)



PRIMER SYSTEM WITH OIL DILUTION

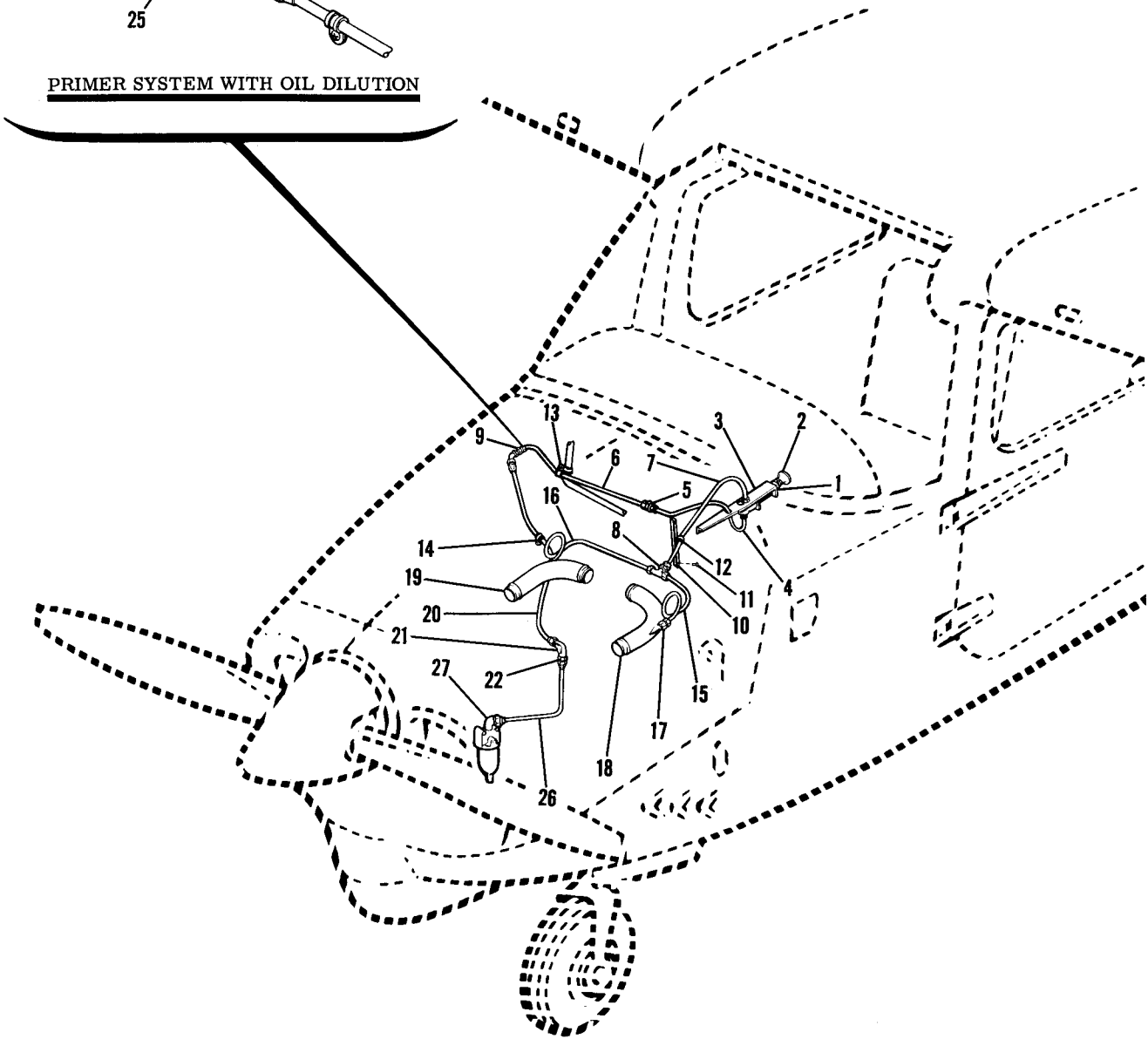


Figure 108. Engine Primer System Installation

FIGURE AND INDEX NO.	PART NUMBER	DESCRIPTION	UNITS PER ASSY	USABLE ON CODE
108 -		ENGINE PRIMER SYSTEM INSTALLATION -----	NP	
- 1	0311538-12	PRIMER ASSEMBLY WHEN EXHAUSTED USE C291502-0101 -----	1	C
	C291502-0101	PRIMER ASSEMBLY -----	1	D
- 2	S1240-5	KNOB-PRIMER -----	1	C
	S1752-1	KNOB-PRIMER -----	1	D
- 3	1216613-1	BRACKET ASSEMBLY -----	1	E
	1216613-7	BRACKET ASSEMBLY -----	1	F
- 4	1200106-131	LINE ASSEMBLY -----	1	
- 5	AN919-1D	REDUCER -----	1	
- 6	1200106-128	LINE ASSEMBLY -----	1	
- 7	1200106-88	LINE ASSEMBLY -----	1	
- 8	AN834-2D	TEE -----	1	
	AN924-2D	ATTACHING PARTS		
		NUT -----	1	
		---*---		
- 9	AN837-4D	ELBOW -----	1	
	AN924-4D	NUT -----	2	
	AN960PD716	WASHER -----	1	
-10	1216612-4	ANGLE ATTACH TO PEDESTAL -----	1	
		ATTACHING PARTS		
-11	AN515-6R7	SCREW -----	2	
	NAS43DD1-9	SPACER -----	2	
	NAS679A06	NUT -----	2	
		---*---		
-12	AN742D2	CLAMP -----	1	
		ATTACHING PARTS		
	AN520-10R8	SCREW -----	1	
	NAS679A3	NUT -----	1	
		---*---		
-13	MS21919DG5	CLAMP -----	1	
	MS21919DG8	CLAMP -----	1	
		ATTACHING PARTS		
	AN525-10R8	SCREW -----	1	
	NAS679A3	NUT -----	1	
		---*---		
-14	MS21919DG7	CLAMP -----	1	
		ATTACHING PARTS		
	NAS68CA08K	NUTPLATE -----	1	
	AN515-8R6	SCREW -----	1	
		---*---		
-15	1200106-89	LINE ASSEMBLY LH -----	1	
-16	1200106-90	LINE ASSEMBLY RH -----	1	
		ATTACHING PARTS		
-17	AN4022-1	NIPPLE -----	1	
		---*---		
-18	1250653-1	MANIFOLD INTAKE LH -----	1	A
	1250655-1	MANIFOLD INTAKE LH -----	1	B
-19	1250654-1	MANIFOLD INTAKE RH -----	1	A
	1250655-2	MANIFOLD INTAKE RH -----	1	B
-20	S1236-4-0234	HOSE ASSEMBLY -----	1	
-21	AN833-4D	ELBOW -----	1	
-22	AN924-4D	NUT -----	1	
	AN960PD716L	WASHER -----	1	
-23	AN834D4	TEE -----	1	
-24	S1236-4-*	HOSE ASSEMBLY -----	1	
		ATTACHING PARTS		
-25	MS20822-4D	ELBOW -----	1	
		---*---		
-26	1200106-111	LINE ASSEMBLY -----	1	
		ATTACHING PARTS		
-27	MS20822-4D	ELBOW -----	1	
		---*---		
NOTE. *LENGTHS TO BE DETERMINED LATER				
NOTE. %USED ONLY ON AIRPLANES THAT ARE EQUIPPED WITH CIL DILUTION SYSTEM.				
A---210 SERIAL 21058819 & ON				
B---T210 SERIAL T210-0198 & ON				
C---210 SERIAL 21058819 THRU 21058936				
T210 SERIAL T210-0198 THRU T210-0307				
D---210 SERIAL 21058937 & ON				
T210 SERIAL T210-0308 & ON				
E---210 SERIAL 21058819 THRU 21059061				
T210 SERIAL T210-0198 THRU T210-0392				
F---210 SERIAL 21059062 & ON				
T210 SERIAL T210-0393 & ON				

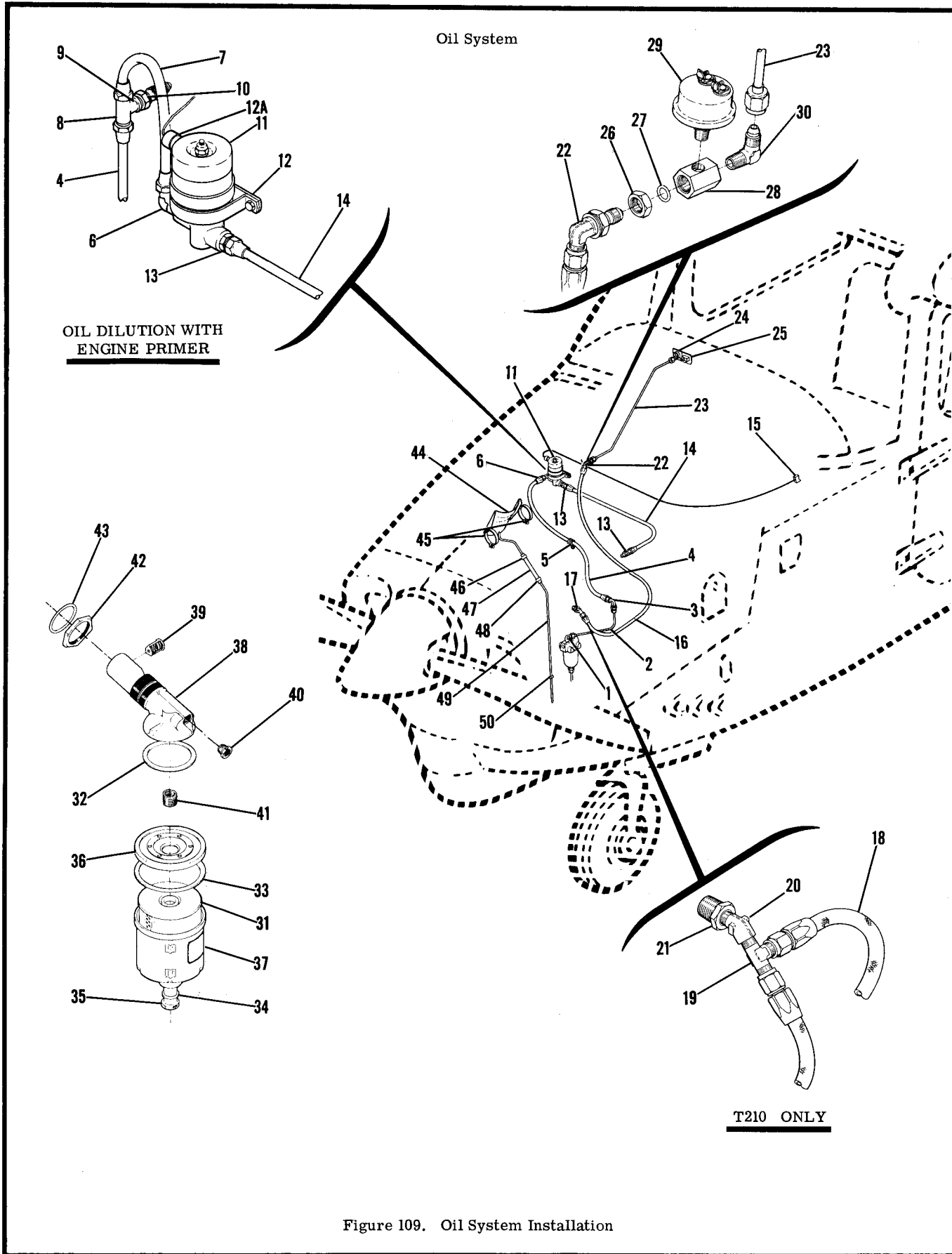


Figure 109. Oil System Installation

FIGURE AND INDEX NO.	PART NUMBER	DESCRIPTION	UNITS PER ASSY	USABLE ON CODE
		1 2 3 4 5 6 7		
109 -		OIL SYSTEM INSTALLATION -----	NP	
		DILUTION SYSTEM-OIL -----	NP	
- 1	MS20822-4D	ELBOW -----	1	
- 2	12C0109-11	LINE ASSEMBLY -----	1	
- 3	AN833-4D	ELBOW -----	1	
	AN924-4D	NUT -----	1	
	AN960PD716L	WASHER -----	1	
- 4	S1236-4-0234	HOSE ASSEMBLY USED WITH PRIMER INSTALLATION ONLY -----	1	
	S1236-4-0260	HOSE ASSEMBLY USED WHEN PRIMER IS NOT INSTALLED -----	1	
- 5	MS21919DG7	CLAMP -----	1	
		ATTACHING PARTS		
	AN515-8R6	SCREW -----	1	
	NAS680A08K	NUTPLATE -----	1	
		-----*		
- 6	MS20822-4D	ELBOW -----	1	
- 7	S1236-4-0100	HOSE ASSEMBLY USED WITH PRIMER INSTALLATION ONLY -----	1	
- 8	AN834D4	TEE USED WITH PRIMER INSTALLATION ONLY -----	1	
- 9	AN960PD716	WASHER USED WITH PRIMER INSTALLATION ONLY -----	1	
-10	AN924-4D	NUT USED WITH PRIMER INSTALLATION ONLY -----	1	
-11	AN4078-1	VALVE ASSEMBLY-OIL DILUTION -----	1	
		ATTACHING PARTS		
-12	AN742D32	CLAMP -----	2	
	AN3-5A	BOLT -----	2	
	AN960D10L	WASHER -----	2	
	NAS679A3	NUT -----	2	
		-----*		
-12A	MS3057-4A	CLAMP -----	1	
-13	AN816-4D	NIPPLE -----	2	
-14	S1236-4-0234	HOSE ASSEMBLY -----	1	
-15	S1158-1-1	SWITCH-OIL DILUTION -----	1	
		ATTACHING PARTS		
	AN507-632R3	SCREW -----	2	
		-----*		
-16	S1236-4-0380	HOSE ASSEMBLY-OIL PRESSURE -----	1	A
-17	0752037-1	ELBOW ASSEMBLY -----	1	A
	AN912-3	BUSHING -----	1	A
-18	S1236-4-0450	HOSE ASSEMBLY-OIL PRESSURE -----	1	B
-19	1250908-1	TEE -----	1	B
-20	AN915-1	ELBOW -----	1	B
-21	AN912-3	BUSHING -----	1	B
-22	AN837-4D	ELBOW -----	1	A
	AN833-4D	ELBOW -----	1	B
	AN960D716	WASHER -----	2	
	AN924-4D	NUT -----	1	
-23	12C0106-127	LINE ASSEMBLY-OIL PRESSURE -----	1	
	12C0106-138	LINE ASSEMBLY-OIL PRESSURE USED WITH HOURMETER ONLY -----	1	
-24	G444619	GAGE-OIL PRESSURE SW -----	1	
-25	G442786	GAGE-OIL TEMPERATURE SW -----	1	
-26	AN924-4D	NUT USED WITH HOURMETER ONLY -----	1	C
-27	MS28778-4	O RING USED WITH HOURMETER ONLY -----	1	C
-28	1213158-1	ADAPTER USED WITH HOURMETER ONLY -----	1	C
-29	S1711-1	SWITCH-OIL PRESSURE USED WITH HOURMETER ONLY -----	1	C
-30	MS20822-4D	ELBOW USED WITH HOURMETER ONLY -----	1	C
		OIL FILTER INSTALLATION-FULL FLOW -----	NP	
		OIL FILTER ASSEMBLY -----	1	
-31	C294505-0101	FILTER ELEMENT KIT -----	1	
-32	6436635	GASKET AC -----	1	
-33	6436637	GASKET AC -----	1	
-34	5579654	METAL GASKET AC -----	1	
-35	6436916	STUD-CENTER AC -----	1	
-36	6436989	LID-OIL FILTER AC -----	1	
-37	125C410-3	PLACARD-OIL FILTER -----	1	
	125C922-1	ADAPTER ASSEMBLY-OIL FILTER -----	1	
-38	125C921-2	ADAPTER -----	1	
-39	0756022-1	VALVE-BY PASS -----	1	
-40	AN932C4	PLUG-PIPE -----	1	
-41	MS124663	INSERT -----	1	
-42	125C405-1	NUT-ADAPTER -----	1	
-43	AN123883	PACKING-ADAPTER NUT -----	1	
	SE709	WRENCH-OIL FILTER ADAPTER -----	1	

CONTINUED ON NEXT PAGE

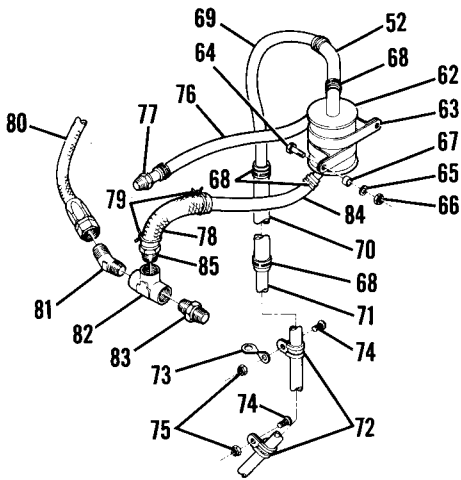
FIGURE AND INDEX NO.	PART NUMBER	DESCRIPTION	UNITS PER ASSY	USABLE ON CODE
109 -44	1250931-1	DEFLECTOR ASSEMBLY-OIL FILTER ----- ATTACHING PARTS	1	B
-45	AN735D36	CLAMP -----	2	B
	AN525-10R8	SCREW -----	2	B
	AN960-10L	WASHER -----	2	B
	NAS679A3	NUT -----	2	B
		---*---		
-46	NAS397-8	CLAMP -----	1	B
-47	S1495-4	HOSE-6.00 IN LG BULK ITEM REF S1495-4-6.00 -----	1	B
-48	NAS397-8	CLAMP -----	1	B
-49	120C106-137	TUBE-DRAIN -----	1	B
-50	MS35489-6	GROMMET -----	1	B
		A---210 SERIAL 21058819 & ON		
		B---T210 SERIAL T210-0198 & ON		
		C---210 SERIAL 21058936 & ON		
		T210 SERIAL T210-0304 & ON		



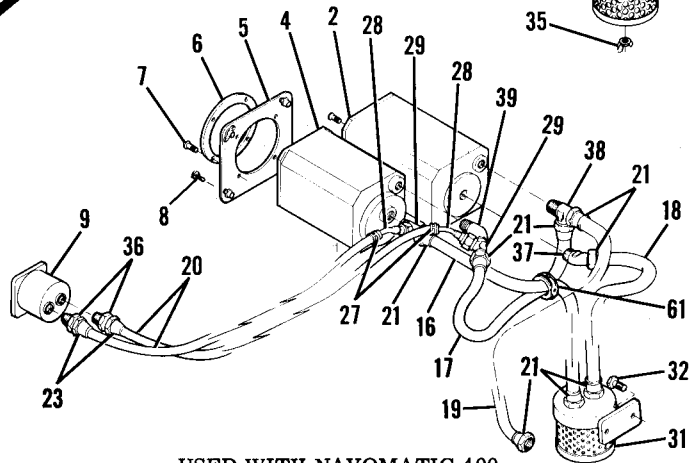
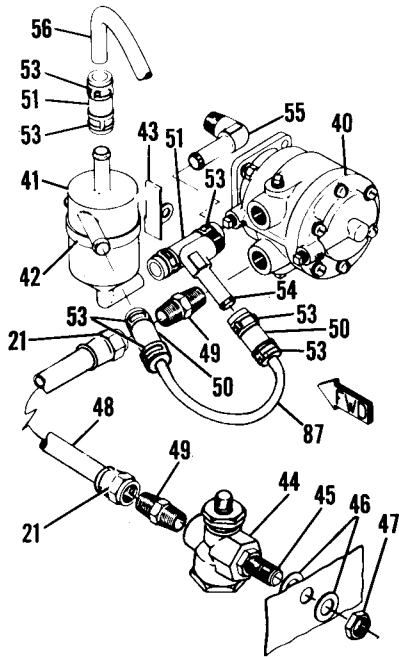
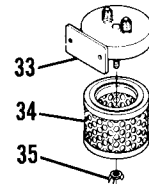
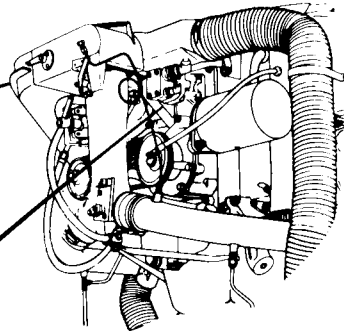
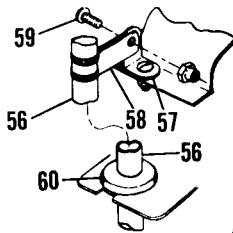
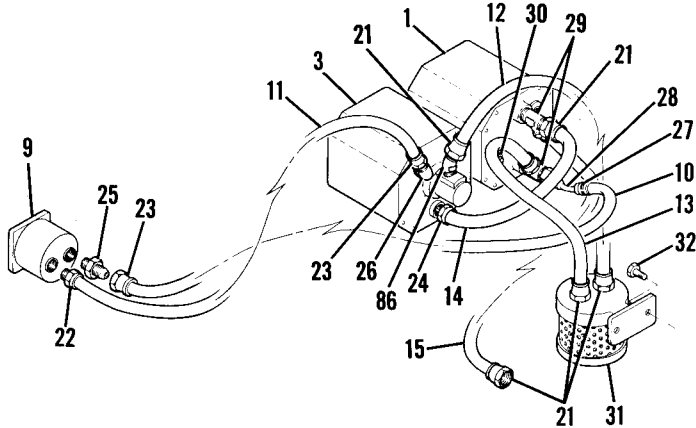
FIGURE AND INDEX NO.	PART NUMBER	DESCRIPTION	UNITS PER ASSY	USABLE ON CODE
		1 2 3 4 5 6 7		
110 -		VACUUM SYSTEM INSTALLATION-ENGINE DRIVEN -----	NP	C
- 1	C661002-0201	GYRO-DIRECTIONAL NEW -----	1	
	C661002-0201R	GYRO-DIRECTIONAL RECONDITIONED -----	1	
- 2	30370-0100	GYRO-DIRECTIONAL ARC -----	1	
- 3	C661001-0201	GYRO-HORIZON NEW -----	1	
	C661001-0201R	GYRO-HORIZON RECONDITIONED -----	1	
- 4	30475-0100	GYRO-HORIZON ARC -----	1	
- 5	0713749-6	PLATE ASSEMBLY -----	1	
	NAS697A3	NUTPLATE -----	4	
- 6	2104	RING ARC -----	1	
		ATTACHING PARTS		
- 7	AN515-6R12	SCREW -----	4	
- 8	AN507-10R6	SCREW -----	4	
		-----*-----		
- 9	S1414N1	GAGE-SUCTION -----	1	
-10	S1495-4	HOSE 36.00 IN LG BULK ITEM REF S1691-1-36.00 -----	1	
-11	S1495-4	HOSE 32.00 IN LG BULK ITEM REF S1499-4AJ32.00 -----	1	
-12	S1495-6	HOSE 19.25 IN LG BULK ITEM REF S1499-6LL19.25 -----	1	
-13	S1495-6	HOSE 12.75 IN LG BULK ITEM REF S1499-6LL12.75 -----	1	
-14	S1495-6	HOSE 4.50 IN LG BULK ITEM REF S1499-6CL4.50 -----	1	
-15	S1495-6	HOSE 12.75 IN LG BULK ITEM REF S1499-6LL12.75 -----	1	
-16	S1495-6	HOSE 11.00 IN LG BULK ITEM REF S1499-6LL11.00 -----	1	
-17	S1495-6	HOSE 19.25 IN LG BULK ITEM REF S1499-6LL19.25 -----	1	
-18	S1615-6	HOSE 10.00 IN LG BULK ITEM REF S1616-6LL10.00 -----	1	
-19	S1615-6	HOSE 11.00 IN LG BULK ITEM REF S1616-6LL11.00 -----	1	
-20	S1495-4	HOSE * IN LG BULK ITEM REF S1691-1-* -----	2	
-21	S1497-6	FITTING-SOCKETLESS -----	7	
-22	S1496-4	FITTING-SOCKETLESS -----	1	
-23	S1497-4	FITTING-SOCKETLESS -----	4	
-24	S1496-6	FITTING-SOCKETLESS -----	1	
-25	AN816-4C	NIPPLE -----	1	
-26	MS20823-4D	ELBOW -----	1	
-27	NAS397-8	CLAMP -----	3	
-28	1713039-1	ELBOW -----	3	
-29	MS20826-6D	TEE -----	2	
-30	MS20913-1D	PLUG -----	1	
-31	C294501-0101	FILTER ASSEMBLY -----	1	
		ATTACHING PARTS		
-32	AN3-3A	BOLT -----	2	
		-----*-----		
-33	C294501-0102	BRACKET -----	1	
-34	C294501-0103	FILTER ELEMENT -----	1	
-35	P2274	NUT-WING -----	1	
-36	AN816-4D	NIPPLE -----	2	
-37	MS20823-6D	ELBOW -----	1	
-38	MS20826-6D	TEE -----	1	
-39	AN915-2D	ELBOW -----	1	
-40	C431001-0101	PUMP-VACUUM -----	1	
-41	C165001-0101	SEPARATOR-OIL -----	1	A
		ATTACHING PARTS		
-42	AN735D36	CLAMP -----	1	A
	AN520-10R8	SCREW -----	1	A
	NAS679A3	NUT -----	1	A
		-----*-----		

CONTINUED ON NEXT PAGE

Vacuum System



T210 ONLY



USED WITH NAVOMATIC 400

**210 SERIAL 21058819 THRU 21058936
T210 SERIAL T210-0198 THRU T210-0307**

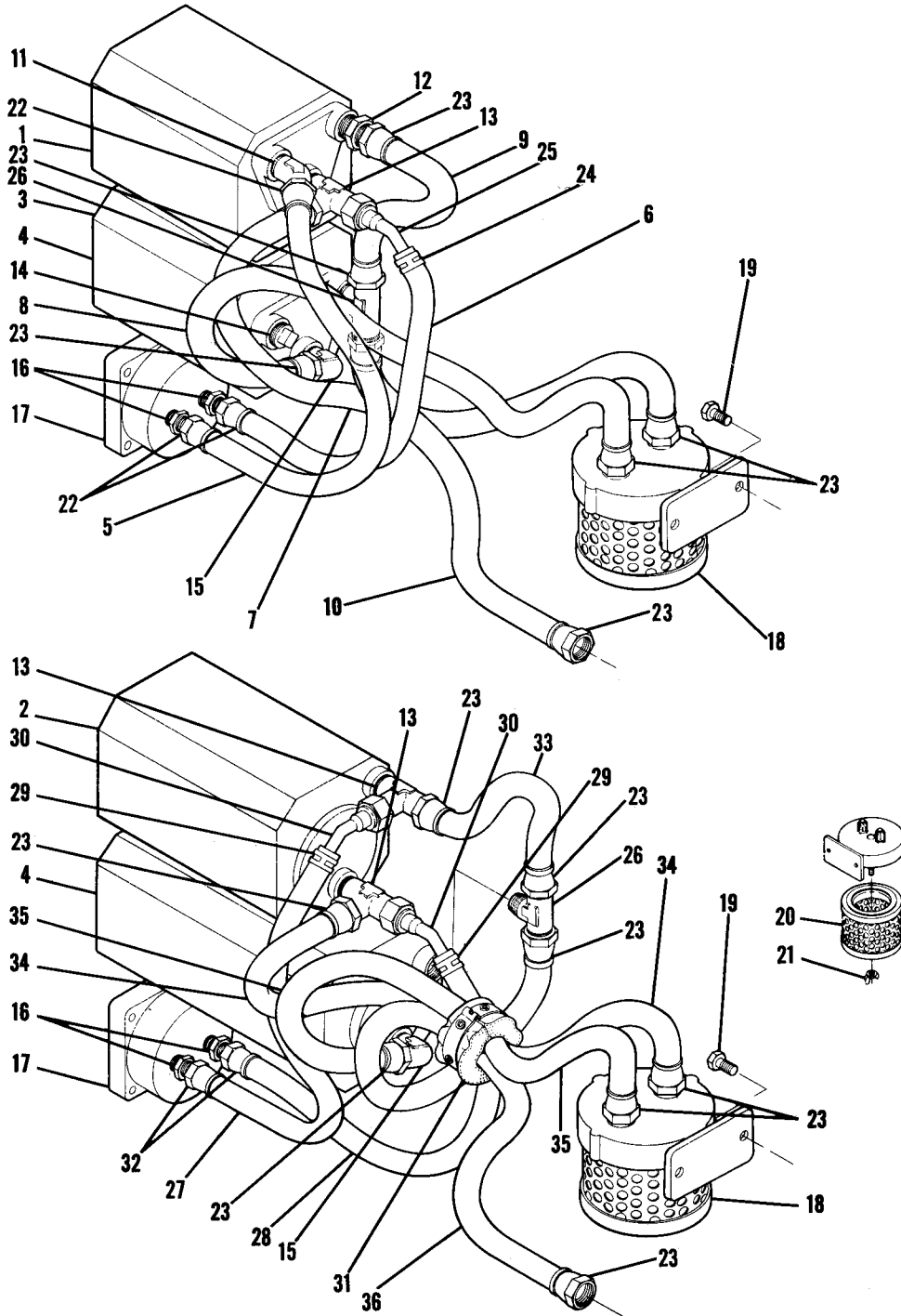
Figure 110. Vacuum System Installation

FIGURE AND INDEX NO.	PART NUMBER	DESCRIPTION	UNITS PER ASSY	USABLE ON CODE
110 -43	125C002-1	BRACKET -----	1	A
-44	C482C01-0101	VALVE-AIR PUMP -----	1	A
	C482001-0102	VALVE-AIR PUMP -----	1	B
		ATTACHING PARTS		
-45	055C177-1	FITTING-BULKHEAD -----	1	
-46	AN960D916	WASHER -----	2	
-47	AN924-6D	NUT -----	1	
		---*---		
-48	S1495-6	HOSE-9.00 IN LG BULK ITEM REF S1499-6LL-9 -----	1	
		ATTACHING PARTS		
-49	AN816-6-6	NIPPLE -----	2	
		---*---		
-50	S1495-8	HOSE 3.00 IN LG BULK ITEM REF S1495-8-3.00 -----	2	A
-51	S1495-8	HOSE 2.75 IN LG BULK ITEM REF S1495-8-2.75 -----	1	A
-52	S1495-8	HOSE 2.75 IN LG BULK ITEM REF S1495-8-2.75 -----	1	B
-53	NAS397-16	CLAMP -----	8	A
-54	AN842-8	ELBOW -----	1	A
-55	125C003-1	ELBOW -----	1	A
-56	12C0106-41	TUBE-VENT -----	1	A
		ATTACHING PARTS		
-57	MS27404-12	BRACKET -----	1	
-58	MS21919DG8	CLAMP -----	1	
-59	AN520-10R8	SCREW -----	1	
	NAS679A3	NUT -----	1	
-60	MS35489-14	GROMMET -----	1	
		---*---		
-61	NAS437-4B	CLAMP -----	1	
-62	C165001-0102	SEPARATOR -----	1	B
		ATTACHING PARTS		
-63	AN742D36	CLAMP -----	2	B
-64	AN3-6A	BOLT -----	2	B
-65	AN960-10L	WASHER -----	2	B
-66	NAS679A3	NUT -----	2	B
-67	NAS43HT3-12	SPACER -----	2	B
		---*---		
-68	NAS397-12	CLAMP -----	8	B
-69	12C0106-124	TUBE-VENT -----	1	B
-70	S1495-8	HOSE 9.00 IN LG BULK ITEM REF S1495-8-9.00 -----	1	B
-71	12C0106-126	TUBE-VENT -----	1	B
		ATTACHING PARTS		
-72	MS21919DG8	CLAMP -----	2	B
-73	055C100-6	BRACKET -----	1	B
-74	AN520-10R8	SCREW -----	2	B
-75	NAS679A3	NUT -----	2	B
		---*---		
-76	S1495-8	HOSE 10.00 IN LG BULK ITEM REF S1495-8-10.00 -----	1	B
-77	AN840-8	ADAPTOR -----	1	B
-78	S1127-8	SLEEVE 5.00 IN LG BULK ITEM REF S1127-8-5.00 -----	1	B
-79	S1614-1	LACING BULK ITEM -----	AR	B
-80	S1236-8-13.50	HOSE ASSEMBLY -----	1	B
-81	MS20823-8	ELBOW -----	1	B
-82	AN917-3	TEE -----	1	B
-83	AN911-3	NIPPLE -----	1	B
-84	S1495-8	HOSE 12.25 IN LG BULK ITEM REF S1499-8E12.25 -----	1	B
-85	S1496-8	FITTING-SOCKETLESS -----	1	B
-86	MS20823-6D	ELBOW -----	1	
-87	12C0106-136	LINE -----	1	A

NOTE. *LENGTH TO BE ADDED LATER

A---210 SERIAL 21058819 THRU 21058936
 B---T210 SERIAL T210-0198 THRU T210-0308
 C---210 SERIAL 21058819 THRU 21058936
 T210 SERIAL T210-0198 THRU T210-0308

Vacuum System(Cont)



USED WITH NAVOMATIC 400

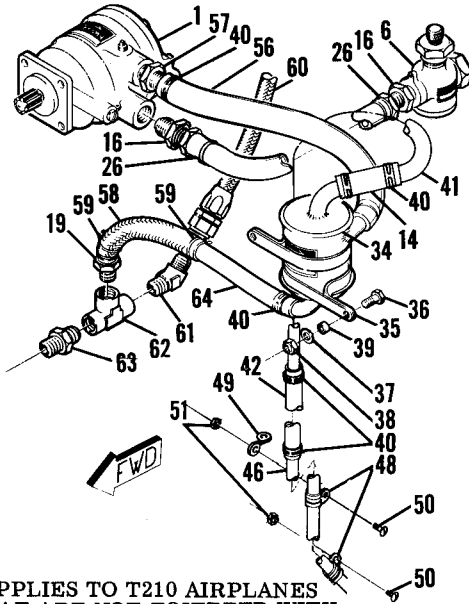
**210 SERIAL 21058937 & ON
T210 SERIAL T210-0308 & ON**

Figure 110A. Gyro's Installation -Engine Driven

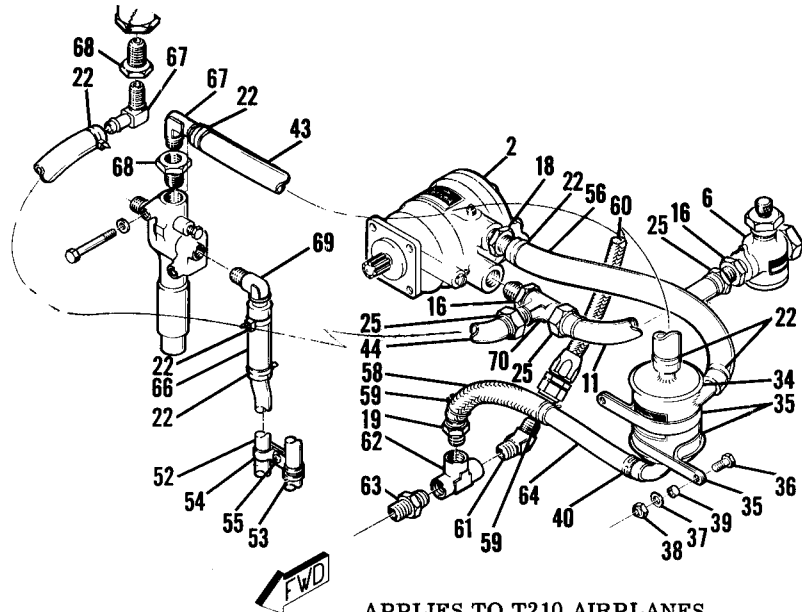


FIGURE AND INDEX NO.	PART NUMBER		DESCRIPTION							UNITS PER ASSY	USABLE ON CODE
			1	2	3	4	5	6	7		
110A-			GYROS INSTALLATION-ENGINE DRIVEN -----							NP	A
- 1	C661001-0501	*	GYRO-HORIZON ----- 210 SERIAL -----							1	
	C661001-0502	*	GYRO-HORIZON ----- 21058937 & ON -----							1	
	C661001-0503	*	GYRO-HORIZON ----- 21058937 & ON -----							1	
	C661001-0504	*	GYRO-HORIZON ----- 21058937 & ON -----							1	
- 2	37570-CC01		GYRO-HORIZON ARC USE WITH NAVOMATIC 400 -----							1	
- 3	C661002-0501	**	GYRO-DIRECTIONAL ----- T210 SERIAL -----							1	
	C661002-0503	**	GYRO-DIRECTIONAL ----- T210 SERIAL -----							1	
	C661002-0504	**	GYRO-DIRECTIONAL ----- T210-0308 & ON -----							1	
	C661002-0301	**	GYRO-DIRECTIONAL ----- T210-0308 & ON -----							1	
- 4	3C370-0100		GYRO-DIRECTIONAL ARC USED WITH NAVOMATIC 300 & 400 -----							1	
- 5	S1495-4		HOSE 16.00 IN LG BULK ITEM REF S1499-4JJ-16.00 -----							1	
			SUCTION GAGE TO GAGE PORT IN HORIZON GYRO								
- 6	S1495-4		HOSE 15.25 IN LG BULK ITEM REF S1691-1-L-15.25 -----							1	
- 7	S1495-6	#	HOSE 15.15 IN LG BULK ITEM REF S1499-6LL-15.15 -----							1	
- 8	S1495-6	#	HOSE 9.50 IN LG BULK ITEM REF S1499-6LL-9.50 -----							1	
			FILTER TO AIR INLET PORT IN DIRECTIONAL GYRO								
- 9	S1495-6		HOSE 11.65 IN LG BULK ITEM REF S1499-6LL-11.65 -----							1	
			TEE TO VACUUM PORT IN HORIZON GYRO								
-10	S1495-6	#	HOSE 10.00 IN LG BULK ITEM REF S1499-6LL-10.00 -----							1	
-11	MS20823-4D		ELBOW -----							1	
-12	AN816-6D		NIPPLE -----							1	
-13	MS20826-6D		TEE -----							3	
-14	MS20913-1D		PLUG -----							1	
	MS20913-2D		PLUG USED ON C661001-0502 ONLY -----							1	
-15	MS20823-6D		ELBOW -----							1	
-16	AN816-4D		NIPPLE -----							2	
-17	S1414N1		GAGE-SUCTION -----							1	
-18	C294501-0101		FILTER ASSEMBLY -----							1	
			ATTACHING PARTS								
-19	AN3-3A		BOLT -----							2	
			*-----								
	C294501-0102		BRACKET -----							1	
-20	C294501-0103		FILTER ELEMENT -----							1	
-21	P2274		NUT-WING DCI -----							1	
-22	S1497-4		FITTING-SOCKETLESS -----							3	
-23	S1497-6		FITTING-SOCKETLESS -----							8	
-24	NAS397-8		CLAMP -----							1	
-25	1713039-1		ELBOW -----							1	
-26	MS20825-6D		TEE -----							2	
-27	S1495-5		HOSE 16.25 IN LG BULK ITEM REF S1691-1-L-16.125 -----							1	
-28	S1495-4		HOSE 14.75 IN LG BULK ITEM REF S1691-1-L-14.75 -----							1	
-29	NAS397-8		CLAMP -----							2	
-30	1713039-1		ELBOW -----							2	
-31	S1590-6		BAND-HARNES -----							1	
-32	S1497-4		FITTING SOCKETLESS -----							2	
-33	S1495-6		HOSE 11.65 IN LG BULK ITEM REF S1499-6LL-11.65 -----							1	
-34	S1495-6	#	HOSE 15.15 IN LG BULK ITEM REF S1499-6LL-15.15 -----							1	
-35	S1495-6	#	HOSE 9.50 IN LG BULK ITEM REF S1499-6LL-9.50 -----							1	
-36	S1495-6	#	HOSE 10.00 IN LG BULK ITEM REF S1499-6LL-10.00 -----							1	
<p>NOTE. *C661001-0501, C661001-0502, C661001-0503 & C661001-0504 ARE PHYSICALLY & FUNCTIONALLY INTERCHANGEABLE.</p> <p>NOTE. **C661002-0501, C661002-0503, C661002-0504 & C661002-0301 ARE PHYSICALLY INTERCHANGEABLE.</p> <p>NOTE. #NOT USED ON AIRPLANES EQUIPPED WITH WING LEVELER. REFER TO FIGURE 96B FOR CORRECT HOSES.</p> <p>A---210 SERIAL 21058937 & ON T210 SERIAL T210-0308 & ON</p>											

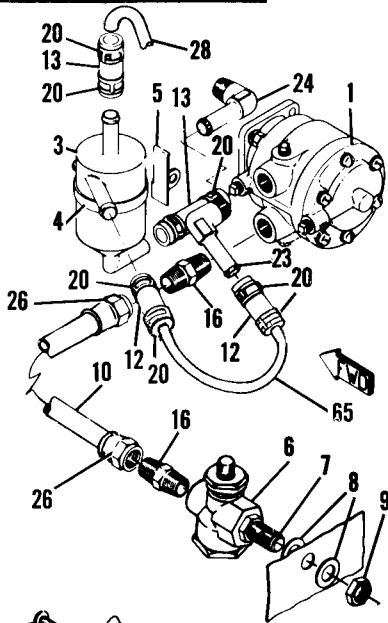
Vacuum System (Cont)



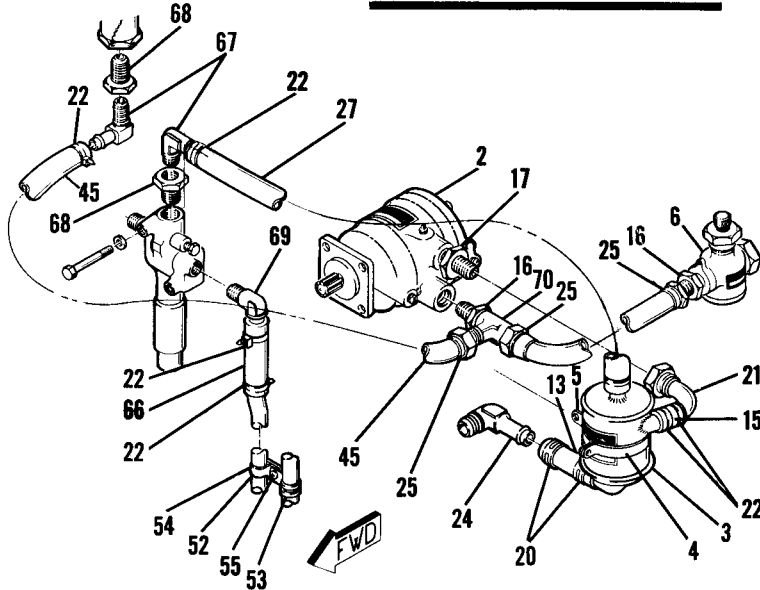
APPLIES TO T210 AIRPLANES THAT ARE NOT EQUIPPED WITH DE-ICE SYSTEM.



APPLIES TO T210 AIRPLANES THAT ARE EQUIPPED WITH DE-ICE SYSTEM.



APPLIES TO 210 AIRPLANES THAT ARE NOT EQUIPPED WITH DE-ICE SYSTEM.



APPLIES TO 210 AIRPLANES THAT ARE EQUIPPED WITH DE-ICE SYSTEM.

**210 SERIAL 21058937 & ON
T210 SERIAL T210-0308 & ON**

Figure 110B. Vacuum System Installation



FIGURE AND INDEX NO.	PART NUMBER		DESCRIPTION							UNITS PER ASSY	USABLE ON CODE
			1	2	3	4	5	6	7		
110B-			VACUUM SYSTEM INSTALLATION-ENGINE DRIVEN							NP	A
- 1	C431001-0101	**	PUMP-VACUUM							1	
- 2	A505-CDD	%	PUMP-VACUUM ARD							1	
- 3	C165001-0101		SEPARATOR-OIL							1	B
			ATTACHING PARTS								
- 4	AN735D36		CLAMP							1	B
	AN520-10R8		SCREW							1	B
	NAS679A3		NUT							1	B
			-----*								
- 5	125C002-1		BRACKET							1	B
- 6	C482001-0101		VALVE-AIR PUMP							1	B
	C482001-0102		VALVE-AIR PUMP							1	C
			ATTACHING PARTS								
- 7	O550177-1		FITTING-BULKHEAD							1	
- 8	AN960D916		WASHER							2	
- 9	AN924-6D		NUT							1	
			-----*								
-10	S1495-6	**	HOSE 9.00 IN LG BULK ITEM REF S1499-6LL-9							1	
-11	S1495-8	%	HOSE 9.00 IN LG BULK ITEM REF S1499-8NN-9							1	
-12	S1495-8	**	HOSE 3.00 IN LG BULK ITEM REF S1495-8-3.00							2	B
-13	S1495-8		HOSE 2.75 IN LG BULK ITEM REF S1495-8-2.75							1	B
-14	S1495-8	**	HOSE 2.75 IN LG BULK ITEM REF S1495-8-2.75							1	C
-15	S1495-8	%	HOSE 1.50 IN LG BULK ITEM REF S1495-8-0.150							1	B
-16	AN816-6-6		NIPPLE							4	
-17	S1854-1	%	NIPPLE							1	B
-18	S1496-8A	%	FITTING-SOCKETLESS							1	C
-19	S1496-8		FITTING-SOCKETLESS							1	C
-20	NAS397-16		CLAMP							AR	B
-21	1280506-143		TUBE ASSEMBLY							1	B
-22	S1693-2	%	STRAP-STA.							AR	
-23	AN842-8		ELBOW							1	B
-24	125C003-1		ELBOW							1	B
-25	S1497-8	%	FITTING-SOCKETLESS							3	
-26	S1497-6	**	FITTING-SOCKETLESS							2	
-27	S1495-8	%	HOSE * IN LENGTH BULK ITEM REF S1495-8-*							1	B
-28	1200106-41	**	TUBE-VENT							1	B
			ATTACHING PARTS								
-29	MS27404-12	**	BRACKET							1	B
-30	MS21919DG8	**	CLAMP							1	B
-31	AN520-10R8	**	SCREW							1	B
-32	NAS679A3	**	NUT							1	B
-33	MS35489-14	**	GROMMET							1	B
			-----*								
-34	C165001-0102		SEPARATOR-OIL							1	C
			ATTACHING PARTS								
-35	AN742D36		CLAMP							2	C
-36	AN3-6A		BOLT							2	C
-37	AN960-10L		WASHER							2	C
-38	NAS679A3		NUT							2	C
-39	NAS43HT3-12		SPACER							2	C
			-----*								
-40	NAS397-12		CLAMP							AR	C
-41	1200106-124	**	TUBE-VENT							1	C
-42	S1495-8	**	HOSE 9.00 IN LG BULK ITEM REF S1495-8-9.00							1	C
-43	S1495-8	%	HOSE * IN LG BULK ITEM REF S1495-8-*							1	C
-44	S1495-8	%	HOSE * IN LG BULK ITEM REF S1495-8-*							1	C
-45	S1495-8	%	HOSE 26.50 IN LG BULK ITEM REF S1495-8-26.50							1	B
-46	1200106-126	**	TUBE-VENT							1	C
			ATTACHING PARTS								
-47			DELETED NEVER USED								
-48	MS21919DG8	**	CLAMP							2	C
-49	O550100-6	**	BRACKET							1	C
-50	AN520-10R8	**	SCREW							2	C
-51	NAS679A3	**	NUT							2	C
			-----*								

CONTINUED ON NEXT PAGE

FIGURE AND INDEX NO.	PART NUMBER		DESCRIPTION							UNITS PER ASSY	USABLE ON CODE
			1	2	3	4	5	6	7		
1108-52	1280506-41	%	TUBE-DRAIN	-----	-----	-----	-----	-----	-----	1	
			ATTACHING PARTS	-----	-----	-----	-----	-----	-----		
-53	AN742D12	%	CLAMP	-----	-----	-----	-----	-----	-----	1	
-54	S1485D10L	%	CLAMP	-----	-----	-----	-----	-----	-----	1	
-55	S1021Z8-8C	%	SCREW	-----	-----	-----	-----	-----	-----	1	
			---*---	-----	-----	-----	-----	-----	-----		
-56	S1495-8		HOSE 21.25 IN LG	BULK ITEM	REF S1495-8-21.25	-----	-----	-----	-----	1	C
-57	AN840-8	**	ADAPTER	-----	-----	-----	-----	-----	-----	1	C
-58	S1127-8		SLEEVE 5.00 IN LG	BULK ITEM	REF S1127-8-5.00	-----	-----	-----	-----	1	C
-59	S1614-1		LACING	BULK ITEM	-----	-----	-----	-----	-----	AR	C
-60	S1236-8-13.50		HOSE ASSEMBLY	-----	-----	-----	-----	-----	-----	1	C
-61	MS20823-8		ELBOW	-----	-----	-----	-----	-----	-----	1	C
-62	AN917-3		TEE	-----	-----	-----	-----	-----	-----	1	C
-63	AN911-3		NIPPLE	-----	-----	-----	-----	-----	-----	1	C
-64	S1495-8		HOSE 12.25 IN LG	BULK ITEM	REF S1499-8E12.25	-----	-----	-----	-----	1	C
-65	1200106-136	**	TUBE	-----	-----	-----	-----	-----	-----	1	B
-66	S1495-8	%	HOSE 3.00 IN LG	BULK ITEM	REF S1495-8-3.00	-----	-----	-----	-----	1	
-67	AN842-8D		ELBOW	-----	-----	-----	-----	-----	-----	2	
-68	AN912-4D	%	BUSHING	-----	-----	-----	-----	-----	-----	3	
-69	AN842-10D	%	ELBOW	-----	-----	-----	-----	-----	-----	1	
-70	MS20826-8	%	TEE	-----	-----	-----	-----	-----	-----	1	
			NOTE. %THESE PARTS ARE USED ON AIRPLANES EQUIPPED WITH WING & STABILIZER DE-ICE SYSTEM ONLY								
			NOTE. *LENGTH TO BE DETERMINED LATER								
			NOTE. **THESE PARTS ARE USED ON AIRPLANES THAT ARE NOT EQUIPPED WITH WING & STABILIZER DE-ICE SYSTEM.								
			A---210 SERIAL 21058937 & ON T210 SERIAL T210-0308 & ON								
			B---210 SERIAL 21058937 & ON								
			C---T210 SERIAL T210-0308 & ON								

FIGURE AND INDEX NO.	PART NUMBER	DESCRIPTION	UNITS PER ASSY	USABLE ON CODE
111 -		1 2 3 4 5 6 7		
- 1	SEE FIG 112	HYDRAULIC POWER PACK INSTALLATION ----- UNIT ASSEMBLY-HYDRAULIC POWERPACK ----- ATTACHING PARTS	NP 1	
- 2	1261441-2	STUD -----	1	
- 3	1261441-1	STUD -----	1	
- 4	1261441-3	STUD -----	1	
- 5	AN960-416L	WASHER -----	1	
- 6	AN4-4A	BOLT ----- -----*	1	
- 7	1280506-107	LINE ASSEMBLY-PUMP SUCTION ----- ATTACHING PARTS	1	
- 8	AN815-8D	NIPPLE -----	1	
	MS28778-8	GASKET -----	1	
- 9	AN515-8R16	SCREW -----	1	
-10	NAS433DD3-32	SPACER -----	1	
-11	MS21919DG8	CLAMP -----	1	
-12	MS21919DG8	CLAMP AP ----- CLAMP AP ----- -----*	1	
CONTINUED ON NEXT PAGE				

Hydraulic System

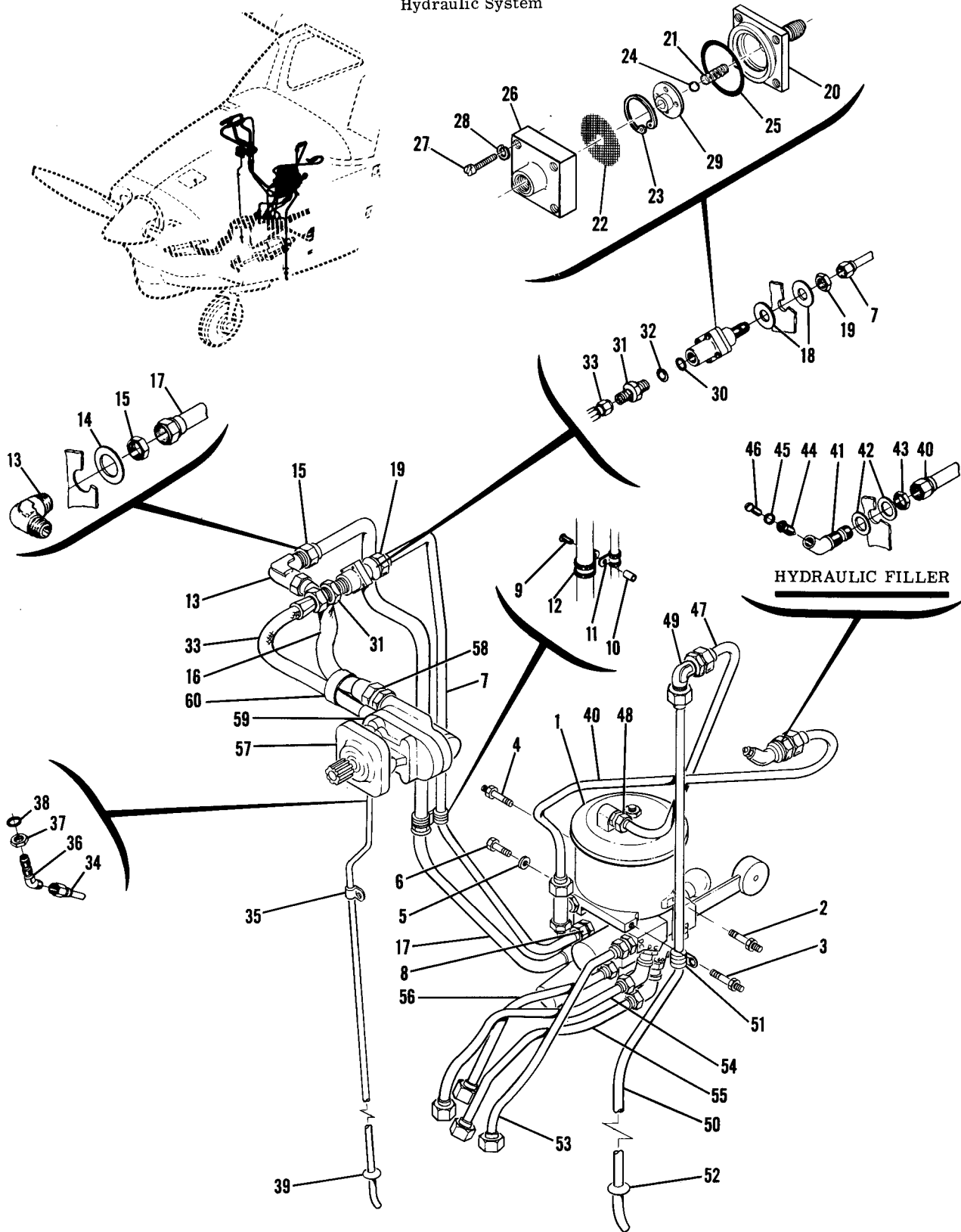


Figure 111. Hydraulic Power Pack Installation

FIGURE AND INDEX NO.	PART NUMBER	DESCRIPTION	UNITS PER ASSY	USABLE ON CODE
		1 2 3 4 5 6 7		
111 -13	AN837-8D	ELBOW -----	1	
-14	AN960PD1216	WASHER -----	1	
-15	AN924-8D	NUT -----	1	
-16	S1236-8-0174	HOSE ASSEMBLY -----	1	
-17	S1167-4-0324	HOSE ASSEMBLY-PUMP PRESSURE -----	1	
-18	AN970-7	WASHER -----	2	
-19	AN924-4D	NUT -----	1	
	1280505-2	FILTER ASSEMBLY -----	1	
-20	HE1646-1	BODY ELE -----	1	
-21	HE1091-1	SPRING ELE -----	1	
-22	HE1649-1	FILTER DISC ELE -----	1	
-23	MS16625-106	SNAP RING -----	1	
-24	1/4 DIA.	BALL-STEEL -----	1	
-25	AN6227824	O-RING -----	1	
-26	HE1648-1	END FITTING ELE -----	1	
-27	AN501-10-14	SCREW -----	4	
-28	AN935-10	LOCK WASHER -----	4	
-29	HE1647	SPIDER -----	1	
-30	MS28778-4	GASKET -----	1	
-31	AN815-4D	UNION -----	1	
-32	MS28778-4	GASKET -----	1	
-33	S1236-4-0150	HOSE ASSEMBLY -----	1	
-34	1280506-76	LINE ASSEMBLY-PUMP DRAIN -----	1	
		ATTACHING PARTS		
-35	MS9025-02	CLAMP -----	1	
-36	AN837-3D	ELBOW -----	1	
-37	AN924-3D	NUT -----	1	
-38	MS28778-3	GASKET -----	1	
-39	MS35489-134	GROMMET -----	1	
		---*---		
-40	1280506-115	LINE ASSEMBLY-FILLER -----	1	
	1280506-142	LINE ASSEMBLY-FILLER USED WITH AIRPLANE EQUIPPED WITH DE-ICE SYSTEM ONLY -----	1	
		ATTACHING PARTS		
-41	1280607-1	FITTING-HYDRAULIC FILLER -----	1	
-42	AN960PD916	WASHER -----	2	
-43	AN924-6D	NUT -----	1	
-44	AN620481	VALVE -----	1	
-45	AN960-10L	WASHER -----	1	
-46	AN520-10R6	SCREW -----	1	
		---*---		
-47	1280506-92	LINE ASSEMBLY-PACK VENT -----	1	
		ATTACHING PARTS		
-48	AN815-6D	UNION -----	1	
	MS28778-6	GASKET -----	1	
-49	AN833-6D	ELBOW -----	2	
	AN960PD916	WASHER -----	1	
	AN924-6D	NUT -----	1	
	MS35489-12	GROMMET -----	1	
		---*---		
-50	1280506-114	LINE ASSEMBLY-PACK VENT -----	1	
		ATTACHING PARTS		
-51	MS21919-6	CLAMP -----	1	
	AN520-8R6	SCREW -----	1	
-52	MS35489-11	GROMMET -----	1	
		---*---		
-53	1280506-112	LINE ASSEMBLY-DOOR CLOSE -----	1	A
	1280506-137	LINE ASSEMBLY-DOOR CLOSE -----	1	B
-54	1280506-111	LINE ASSEMBLY-DOOR OPEN -----	1	A
	1280506-136	LINE ASSEMBLY-DOOR OPEN -----	1	B
-55	1280506-110	LINE ASSEMBLY-GEAR DOWN -----	1	
-56	1280506-109	LINE ASSEMBLY-GEAR UP -----	1	A
	1280506-140	LINE ASSEMBLY-GEAR UP -----	1	B
-57	SEE FIG 116	PUMP ASSEMBLY-HYDRAULIC -----	1	
-58	AN815-8D	UNION -----	1	
	MS28778-8	GASKET -----	1	
-59	AN837-4D	ELBOW -----	1	
	AN6289-4D	NUT -----	1	
	MS9058-04	BACKUP RING -----	1	
	MS28778-4	GASKET -----	1	
-60	S1590-4A	BAND-HARNESS -----	1	
		A---210 SERIAL 21058819 THRU 21059061		
		T210 SERIAL T210-0198 THRU T210-0392		
		B---210 SERIAL 21059062 & ON		
		T210 SERIAL T210-0393 & ON		

Hydraulic System (Cont)

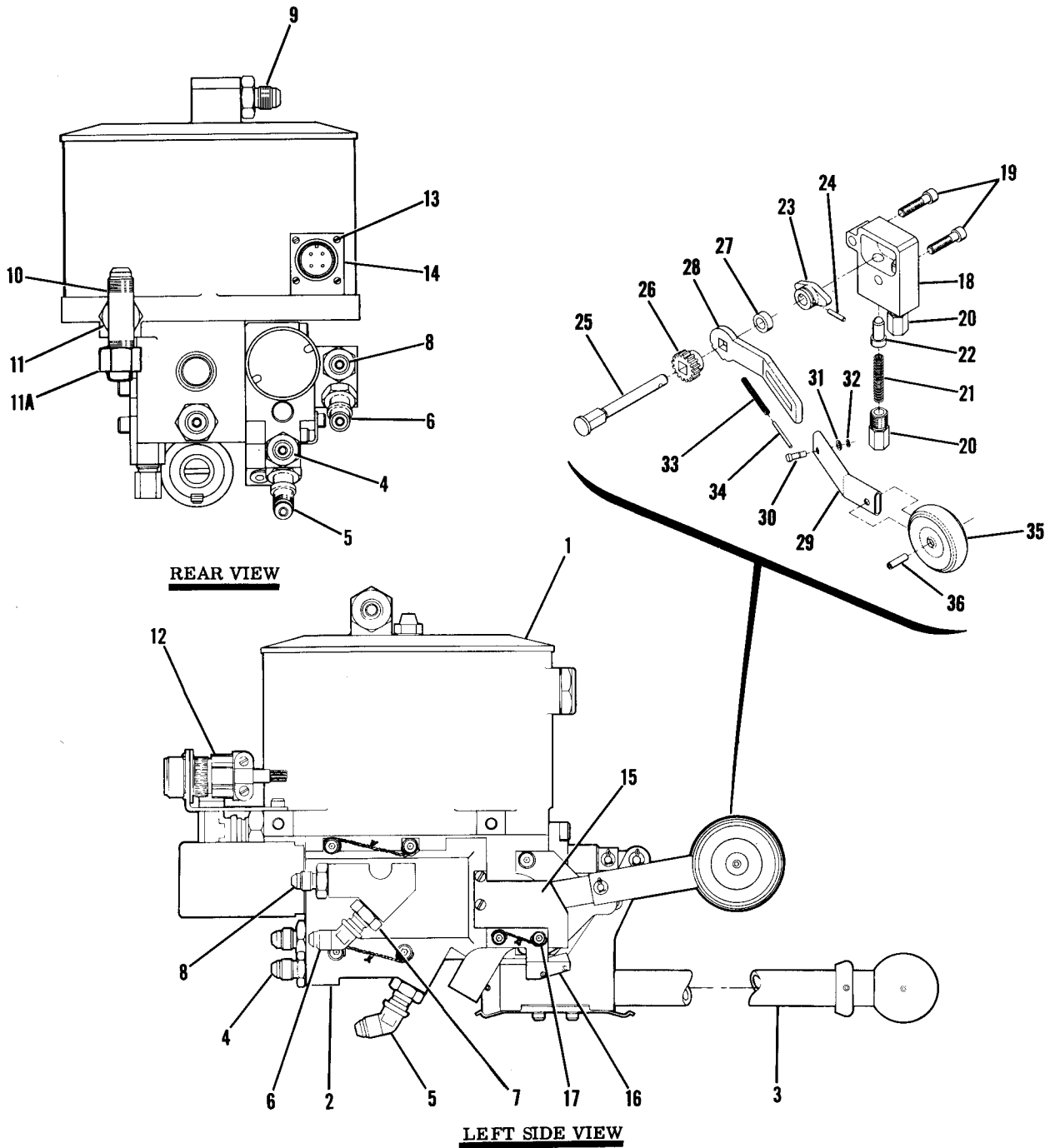


Figure 112. Hydraulic Power Pack Unit Assembly

FIGURE AND INDEX NO.	PART NUMBER	DESCRIPTION	UNITS PER ASSY	USABLE ON CODE
112 -	1280510-1	HYDRAULIC POWER PACK UNIT ASSEMBLY WHEN EXHAUSTED ----- USE 1280510-3 OR -4	1	A
	1280510-3	HYDRAULIC POWER PACK UNIT ASSEMBLY -----	1	B
	1280510-4	HYDRAULIC POWER PACK UNIT ASSEMBLY REMANUFACTURED -----	1	B
- 1	SEE FIG 113	BODY ASSEMBLY-POWER PACK -----	1	
- 2	SEE FIG 114	MANIFOLD ASSEMBLY-POWER PACK -----	1	
- 3	SEE FIG 115	HAND PUMP-EMERGENCY -----	1	
- 4	AN815-4D	UNION -----	1	
- 5	AN837-4D	ELBOW -----	1	
	MS28778-4	PACKING -----	1	
- 6	AN837-4D	ELBOW -----	1	
- 7	AN9289-4D	NUT -----	2	
	MS28778-4	PACKING -----	2	
	MS28777-4	BACK-UP -----	1	
- 8	AN815-4D	UNION -----	1	
	MS28778-4	PACKING -----	1	
- 9	AN815-6D	UNION -----	1	
	MS28778-6	PACKING -----	1	
-10	AN834-6D	TEE -----	1	
-11	AN6289D6	NUT -----	1	
-11A	AN929-6	CAP -----	1	
	MS28778-6	PACKING -----	1	
	MS28777-6	BACK-UP -----	1	
-12	MS3100A14S2P	CONNECTOR -----	1	
	MS3057-6A	CABLE CLAMP -----	1	
-13	NAS609-448-4	SCREW -----	4	
-14	294074-1	PLATE-MOUNTING OAC ----- ATTACHING PARTS	1	
	NAS608C3H6	SCREW ----- *-----	2	
-15	294082-1	COVER OAC ----- ATTACHING PARTS	1	
	AN500AD6-3	SCREW -----	2	
	MS122028	WASHER ----- *-----	2	
-16	294070-1	SWITCH-LIMIT OAC -----	1	
	294069-1	BRACKET-LIMIT SWITCH OAC ----- ATTACHING PARTS	1	
-17	NAS608C3H6	SCREW ----- *-----	2	
-18	294005-1	HOUSING OAC ----- ATTACHING PARTS	1	
-19	NAS608C4H16	SCREW ----- *-----	2	
-20	294008-1	PLUG ASSEMBLY OAC -----	2	
-21	294017-1	SPRING OAC -----	2	
-22	294006-1	PLUNGER OAC -----	2	
-23	294009-1	CAM OAC ----- ATTACHING PARTS	1	
-24	MS171528	PIN-SPRING ----- *-----	1	
-25	294067-1	SHAFT OAC -----	1	
-26	294063-1	GEAR OAC -----	1	
-27	294068-1	SPACER OAC -----	1	
-28	294024-1	HANDLE OAC -----	1	
-29	294027-1	SLEEVE-HANDLE OAC ----- ATTACHING PARTS	1	
-30	294054-1	PIN OAC -----	1	
-31	294079-1	WASHER OAC -----	1	
-32	CS18	SNAP RING -----	1	
-33	294026-1	SPRING OAC -----	1	
-34	MS9105-41	PIN ----- *-----	1	
-35	294078-1	KNOB-HANDLE OAC -----	1	A
	294078-3	KNOB-HANDLE OAC ----- ATTACHING PARTS	1	B
-36	MS171586	PIN-SPRING ----- *-----	1	

A---210 SERIAL 21058819 THRU 21058936
T210 SERIAL T210-0198 THRU T210-0307

B---210 SERIAL 21058937 & ON
T210 SERIAL T210-0308 & ON

Hydraulic System (Cont)

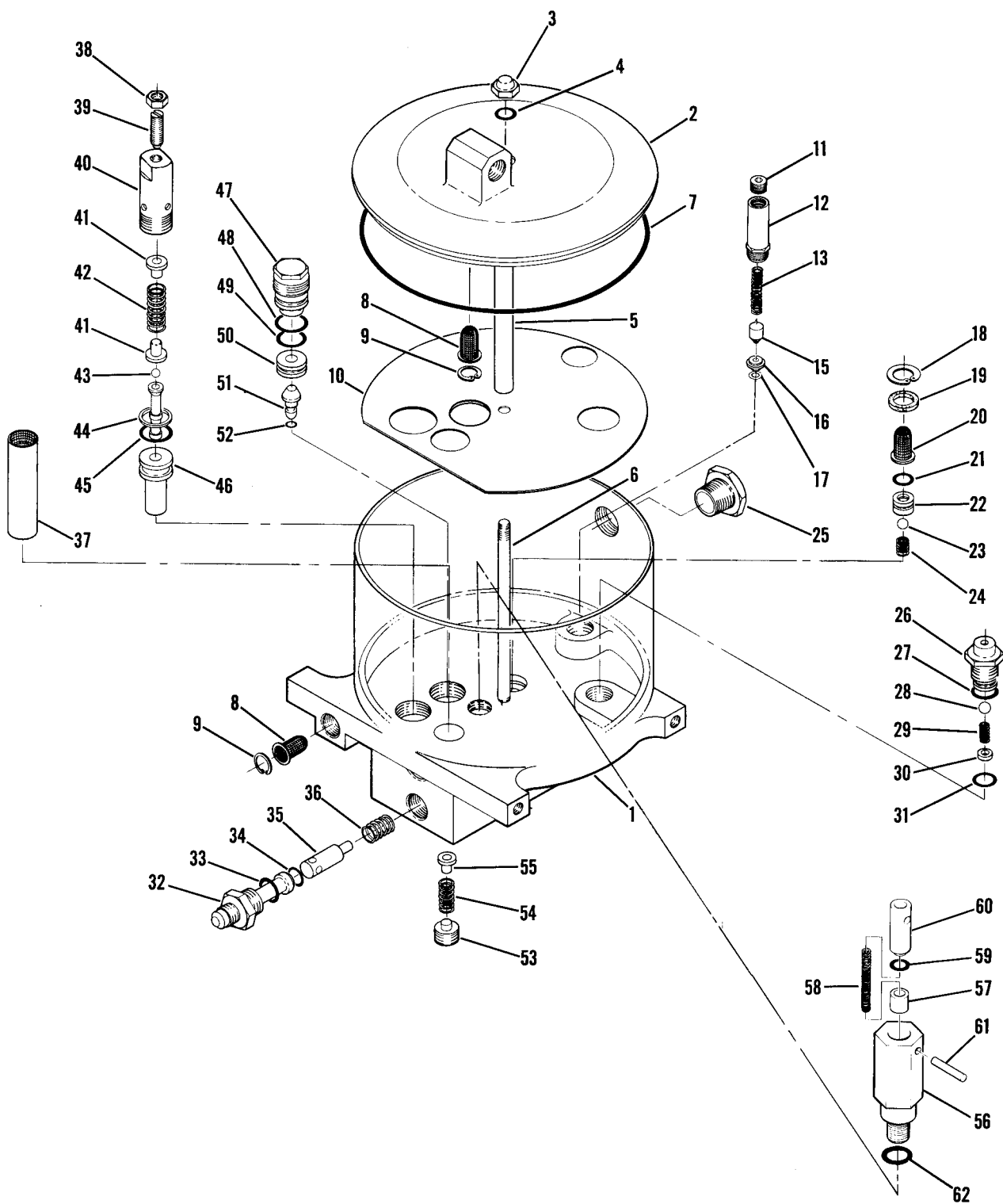


Figure 113. Hydraulic Power Pack Body Assembly



FIGURE AND INDEX NO.	PART NUMBER		DESCRIPTION							UNITS PER ASSY	USABLE ON CODE
			1	2	3	4	5	6	7		
113 -			HYDRAULIC POWER PACK BODY ASSEMBLY -----							NP	
- 1	294001-1	*	RESERVOIR ASSEMBLY OAC -----							1	
	294095-1	**	RESERVOIR ASSEMBLY OAC -----							1	
- 2	294003-1		COVER-RESERVOIR OAC -----							1	
			ATTACHING PARTS								
- 3	294081-1		NUT OAC -----							1	
- 4	MS28775-010		PACKING -----							1	
- 5	294044-1		SPACER OAC -----							1	
- 6	294046-1		ROD OAC -----							1	
- 7	MS28775-257		PACKING -----							1	
			*-----								
- 8	294061-1		FILTER ASSEMBLY OAC -----							2	
			ATTACHING PARTS								
- 9	CR50		SNAP RING -----							1	
			*-----								
-10	294042-1		BAFFLE OAC -----							1	
-11	MS28775-011	*	RETAINER ASSEMBLY-SECONDARY RELIEF VALVE OAC -----							1	
-12	MS28775-013	*	BCDY-SECONDARY RELIEF VALVE OAC -----							1	
-13	294087-1	*	SPRING OAC -----							1	
-14			DELETED NOT PROCURABLE -----								
-15	294091-1	*	PCPPET -----							1	
-16	294092-1	*	SEAT-SECONDARY RELIEF VALVE OAC -----							1	
-17	294029-1	*	PACKING -----							1	
-18	CR62		SNAP RING -----							1	
-19	294062-1		SPACER -----							1	
-20	294061-1		FILTER ASSEMBLY OAC -----							1	
-21	MS28775-011		PACKING -----							1	
-22	294051-1		SEAT OAC -----							1	
-23	MS150457		BALL -----							1	
-24	294018-1		SPRING OAC -----							1	
-25	4C40		GAUGE-OIL -----							1	
-26	294020-1		RETAINER-TIME DELAY VALVE OAC -----							1	
-27	MS28775-016		PACKING -----							1	
-28	MS134356		BALL -----							1	
-29	294018-1		SPRING OAC -----							1	
-30	294019-1		SPACER OAC -----							1	
-31	MS28775-012		PACKING -----							1	
-32	294066-1		FITTING-CHECK VALVE OAC -----							1	
-33	MS28778-6		PACKING -----							1	
-34	MS28775-011		PACKING -----							1	
-35	294065-1		PLUNGER-CHECK VALVE OAC -----							1	
-36	294072-1		SPRING OAC -----							1	
-37	294031-1		FILTER ASSEMBLY OAC -----							1	
-38	NAS509-4		NUT-CHECK -----							1	
-39	294032-1		SCREW OAC -----							1	
-40	294033-1		RETAINER-PRIMARY RELIEF VALVE OAC -----							1	
-41	294034-1		BUTTON OAC -----							2	
-42	294035-1		SPRING OAC -----							1	
-43	MS134354		BALL -----							1	
-44	MS28774-15		BACK-UP -----							1	
-45	MS28775-015		PACKING -----							1	
-46	294007-1		SEAT & POPPET ASSEMBLY-PRIMARY RELIEF VALVE OAC -----							1	
-47	294036-1		RETAINER ASSEMBLY-PRIORITY VALVE OAC -----							1	
-48	MS28775-015		PACKING -----							1	
-49	MS28775-014		PACKING -----							1	
-50	294037-1		SEAT-PRIORITY VALVE OAC -----							1	
-51	294038-1		POPPET-PRIORITY VALVE OAC -----							1	

CONTINUED ON NEXT PAGE

FIGURE AND INDEX NO.	PART NUMBER	DESCRIPTION	UNITS PER ASSY	USABLE ON CODE
113 -52	MS28775-006	PACKING -----	1	
-53	294041-1	RETAINER ASSEMBLY-PRIORITY VALVE OAC -----	1	
-54	294040-1	SPRING OAC -----	1	
-55	294039-1	BUTTON OAC -----	1	
	CAS2925	VALVE ASSEMBLY-VENT OAC -----	1	
-56	292501-1	BODY OAC -----	1	
-57	292502-1	POPPET CAC -----	1	
-58	292503-1	SPRING OAC -----	1	
-59	MS28775-009	PACKING -----	1	
-60	292504-1	RETAINER OAC -----	1	
		ATTACHING PARTS		
-61	MS171527	PIN -----	1	
		---*---		
-62	MS28778-3	PACKING -----	1	
		NOTE. *THESE PARTS ARE REQUIRED ONLY ON AIRPLANES THAT ARE EQUIPPED WITH THE 1280510-1 POWER PACK UNIT ASSEMBLY.		
		NOTE. **THIS PART IS REQUIRED ONLY ON AIRPLANES EQUIPPED WITH THE 1280510-3 OR -4 POWER PACK UNIT ASSEMBLY.		

Hydraulic System (Cont)

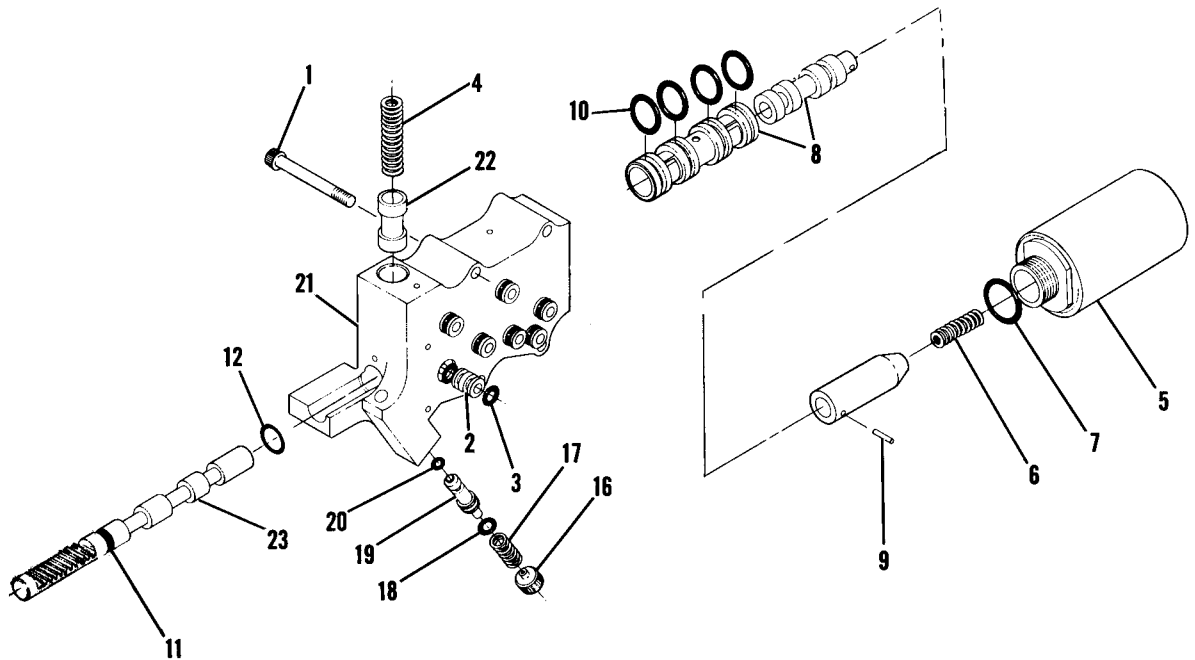


Figure 114. Powerpack Manifold Assembly

FIGURE AND INDEX NO.	PART NUMBER	DESCRIPTION	UNITS PER ASSY	USABLE ON CODE
114 -		POWER PACK MANIFOLD ASSEMBLY -----	NP	
		ATTACHING PARTS		
- 1	NAS608C3H24	SCREW -----	4	
- 2	294076-1	TRANSFER TUBE OAC -----	7	
- 3	MS28775-011	PACKING -----	14	
		-----*		
- 4	294017-1	SPRING-TIME DELAY CAC -----	1	
- 5	294013-1	SOLENOID OAC -----	1	
- 6	294014-1	SPRING OAC -----	1	
- 7	MS28775-018	PACKING -----	1	
- 8	294016-1	SLEEVE & SPOOL OAC -----	1	
		ATTACHING PARTS		
- 9	294015-1	PIN OAC -----	1	
		-----*		
-10	MS28775-016	PACKING -----	4	
-11	MS28775-011	PACKING -----	1	
-12	MS28775-013	PACKING -----	1	
-13		DELETED NOT PROCURABLE -----		
-14		DELETED NOT PROCURABLE -----		
-15		DELETED NOT PROCURABLE -----		
-16	294030-1	RETAINER ASSEMBLY CAC -----	1	
-17	294029-1	SPRING OAC -----	1	
-18	MS28775-008	PACKING -----	1	
-19	294028-1	PCPET OAC -----	1	
-20	MS28775-006	PACKING -----	1	
-21	294002-3	MANIFOLD HOUSING ASSEMBLY OAC -----	1	
-22		PLUNGER OAC -----	NP	
-23		SPOOL OAC -----	NP	

Hydraulic System (Cont)

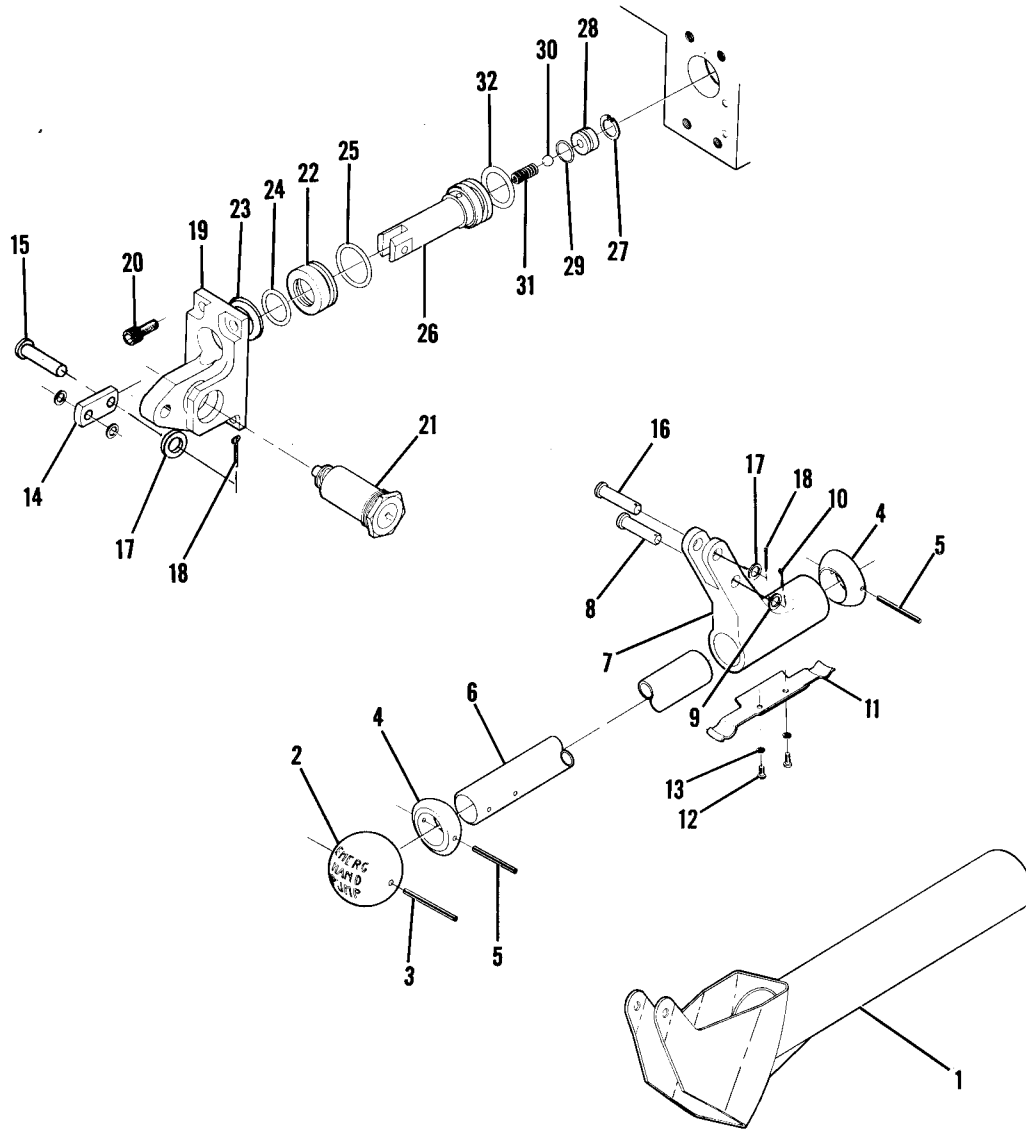


Figure 115. Emergency Hand Pump Installation

FIGURE AND INDEX NO.	PART NUMBER	DESCRIPTION	UNITS PER ASSY	USABLE ON CODE
115 -		1 2 3 4 5 6 7		
- 1	1280619-1	EMERGENCY HAND PUMP INSTALLATION ----- GUARD ASSEMBLY-HANDLE ----- ATTACHING PARTS -----	NP 1	
	AN520-10R8	SCREW -----	1	
	AN960-10L	WASHER -----	1	
	AN735D22	CLAMP ----- -----*	1	
- 2	294077-1	GRIP-HANDLE OAC ----- ATTACHING PARTS -----	1	
- 3	MS171534	PIN-SPRING ----- -----*	1	
- 4	294059-1	STOP-HANDLE OAC ----- ATTACHING PARTS -----	2	
- 5	MS171534	PIN-SPRING ----- -----*	1	
- 6	294058-1	HANDLE OAC -----	1	
- 7	294056-1	LEVER ASSEMBLY OAC ----- ATTACHING PARTS -----	1	
- 8	294025-5	PIN OAC -----	1	
- 9	294079-1	WASHER OAC -----	1	
-10	MS24665-151	COTTER PIN ----- -----*	1	
-11	294057-1	SPRING-HANDLE LATCH OAC ----- ATTACHING PARTS -----	1	
-12	AN5C0AD6-3	SCREW -----	2	
-13	MS122028	WASHER ----- -----*	2	
-14	294055-1	LINK OAC ----- ATTACHING PARTS -----	1	
-15	294025-3	PIN OAC -----	1	
-16	294025-1	PIN OAC -----	1	
-17	294079-1	WASHER OAC -----	2	
-18	MS24665-151	COTTER PIN ----- -----*	2	
-19	294004-1	BRACKET ASSEMBLY-HAND PUMP OAC ----- ATTACHING PARTS -----	1	
-20	NAS608C4-8	SCREW ----- -----*	4	
-21	294075-1	SOLENOID OAC -----	1	
-22	294050-1	GLAND-HAND PUMP OAC -----	1	
-23	MS28776-3	SCRAPER -----	1	
-24	MS28775-114	PACKING -----	1	
-25	MS28775-021	PACKING -----	1	
-26	294053-1	PLUNGER-HAND PUMP OAC -----	1	
-27	CR43	SNAP RING -----	1	
-28	294051-1	SEAT OAC -----	1	
-29	MS28775-011	PACKING -----	1	
-30	MS134356	BALL -----	1	
-31	294018-1	SPRING OAC -----	1	
-32	MS28775-115	PACKING -----	1	

Hydraulic System (Cont)

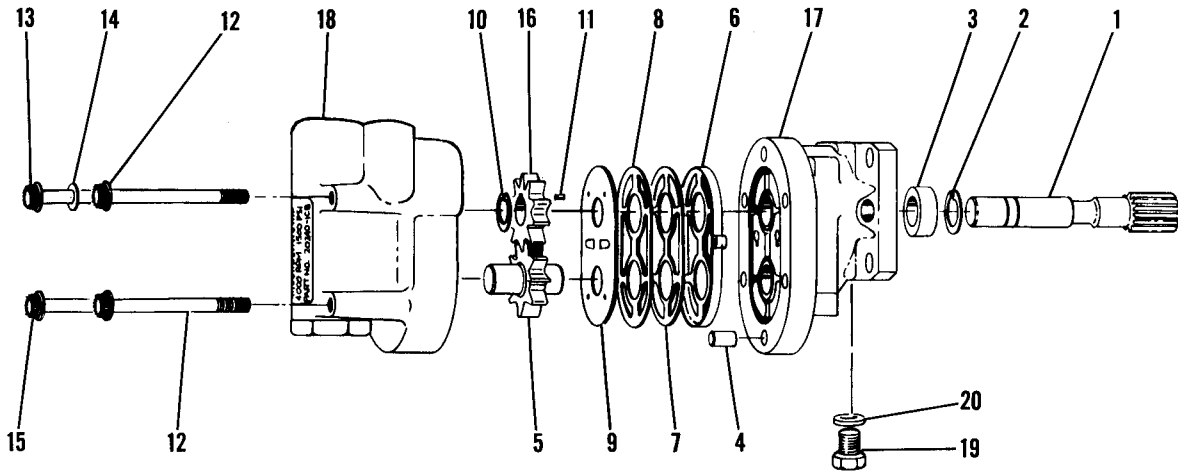
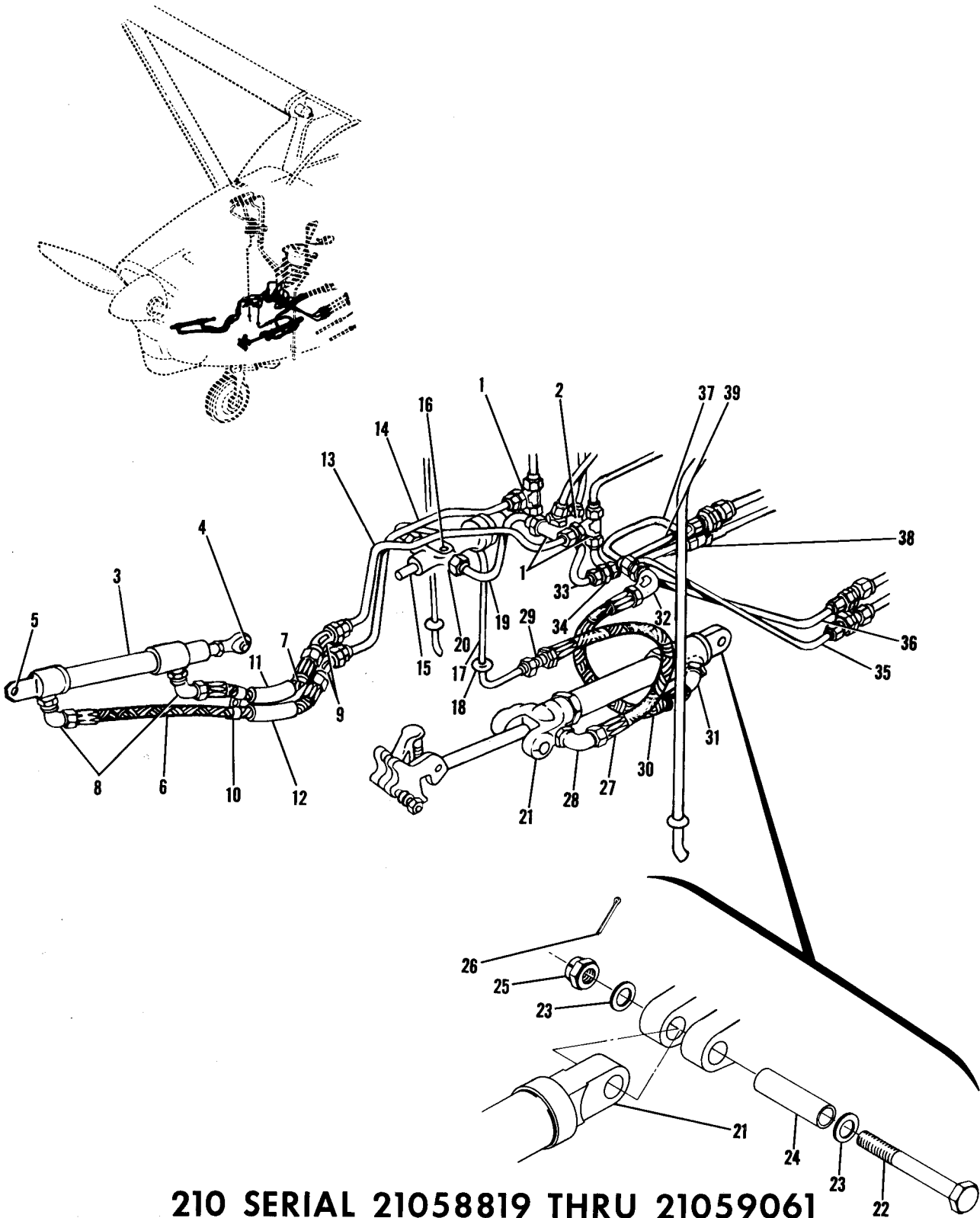


Figure 116. Hydraulic Pump Assembly



FIGURE AND INDEX NO.	PART NUMBER	DESCRIPTION							UNITS PER ASSY	USABLE ON CODE
		1	2	3	4	5	6	7		
116 -	1280103-8	HYDRAULIC PUMP ASSEMBLY 20240-1CF -----							1	
- 1	20240-18	DRIVE SHAFT CESH -----							1	
- 2	16077-14	*	SNAP RING CESH -----						1	
- 3	20240-73	*	SEAL-SHAFT CESH -----						1	
- 4	16028-404	PIN-DOWEL CESH -----							2	
- 5	20246-5	GEAR ASSEMBLY-IDLER CESH -----							1	
	20246-4	SHAFT-IDLER CESH -----							1	
	20246-3	GEAR CESH -----							1	
	20240-9	*	SNAP RING CESH -----						2	
	20246-7	KEY CESH -----							1	
- 6	20240-14	*	SEAL-DIAPHRAGM CESH -----						1	
- 7	20240-15	*	GASKET-PROTECTOR CESH -----						1	
- 8	20240-16	*	GASKET-BACK UP CESH -----						1	
- 9	20240-17	*	DIAPHRAGM CESH -----						1	
-10	20240-9	SNAP RING CESH -----							2	
-11	20240-25	*	KEY CESH -----						1	
-12	16119-422	SCREW-CAP CESH -----							2	
-13	16119-416	SCREW-CAP CESH -----							1	
-14	20240-22	*	WASHER CESH -----						1	
-15	16119-410	SCREW-CAP CESH -----							1	
-16	20246-3	GEAR CESH -----							1	
	20240-21	*	MOUNTING PAD GASKET CESH -----						1	
-17	20240-53	FRONT PLATE ASSEMBLY CESH -----							1	
-18	20240-76	REAR HOUSING ASSEMBLY CESH -----							1	
	20240-77	KIT-MAJOR SEAL REPAIR CESH CONSISTS OF ALL PARTS -----							1	
		MARKED *.								
-19	MS21913D3	PLUG -----							1	
-20	MS28775-010	O RING -----							1	

Hydraulic System (Cont)



210 SERIAL 21058819 THRU 21059061
T210 SERIAL T210-0198 THRU T210-0392

Figure 117. Nose Gear & Nose Gear Doors Hydraulic System Installation

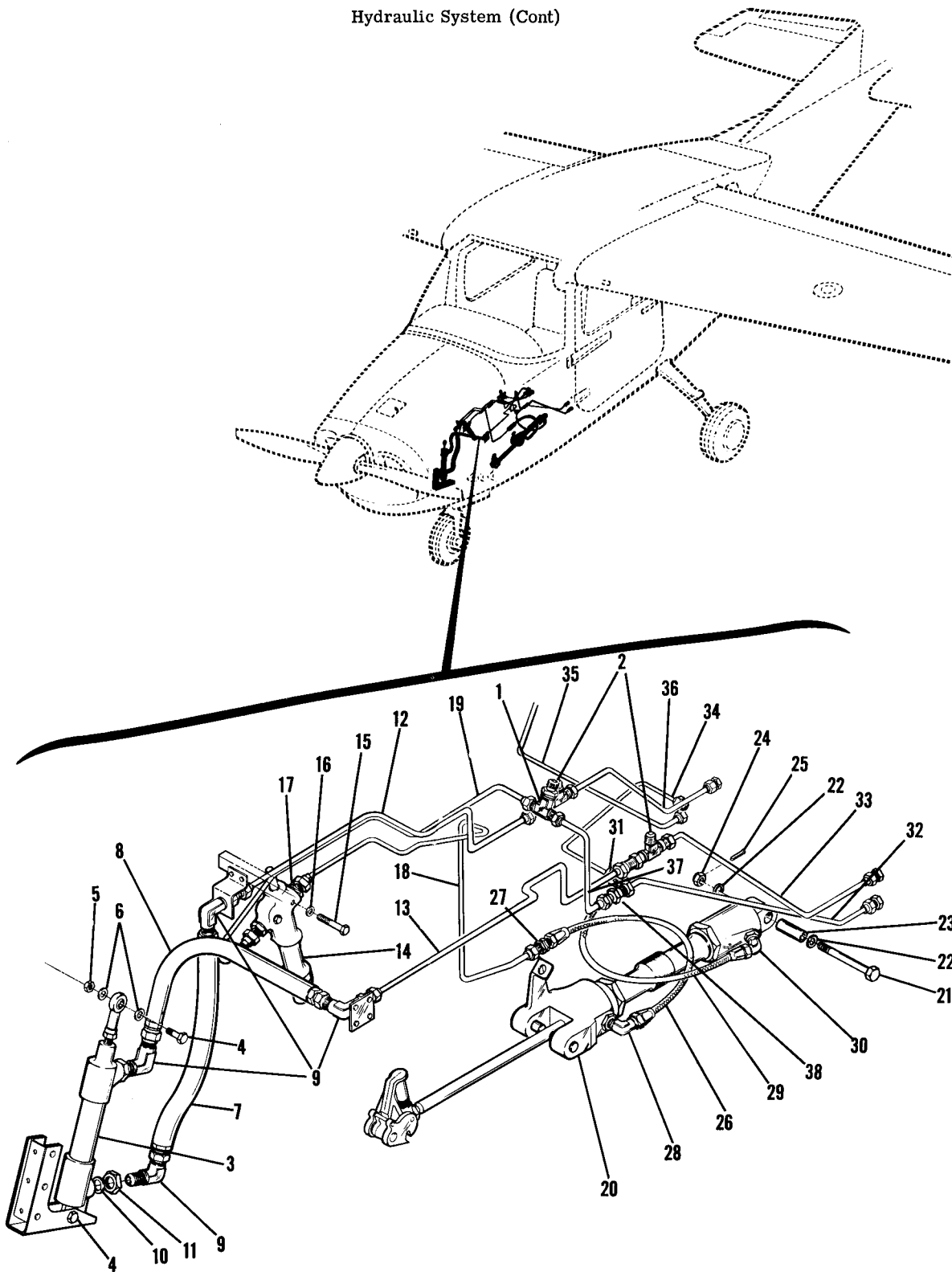
FIGURE AND INDEX NO.	PART NUMBER	DESCRIPTION	UNITS PER ASSY	USABLE ON CODE
		1 2 3 4 5 6 7		
117 -		NOSE GEAR & NOSE GEAR DOORS HYDRAULIC SYSTEM INSTALLATION -----	NP	A
- 1	AN834-4D	TEE-BULKHEAD -----	3	
	AN960PD716	WASHER -----	2	
	AN924-4D	NUT -----	1	
- 2	AN833-4D	ELBOW -----	1	
	AN960PD716	WASHER -----	1	
	AN924-4D	NUT -----	1	
- 3	SEE FIG 124	ACTUATOR-WHEEL DOOR -----	1	
		ATTACHING PARTS		
- 4	AN23-13	BOLT -----	1	
	AN320-3	NUT -----	1	
	MS24665-134	PIN-COTTER -----	1	
- 5	AN3-13	BOLT -----	1	
	AN960-10L	WASHER -----	1	
	AN320-3	NUT -----	1	
	MS24665-134	PIN-COTTER -----	1	
		-----*		
- 6	S1167-4-0180	HOSE ASSEMBLY-DOOR OPEN -----	1	
- 7	S1167-4-0110	HOSE ASSEMBLY-DOOR CLOSE -----	1	
		ATTACHING PARTS		
- 8	AN921-4D	ELBOW -----	1	
	AN6289D4	NUT -----	1	
	MS9058-04	RING-BACKUP -----	1	
- 9	AN837-4D	ELBOW -----	1	
	AN960PD716	WASHER -----	1	
	AN924-4D	NUT -----	1	
-10	S1485D8U	CLAMP -----	1	
	AN742D8	CLAMP -----	1	
	S1021Z8-6	SCREW -----	1	
		-----*		
-11	S292-15	SLEEVING 10.0 IN LG BULK ITEM S292-15-10.00 -----	1	
-12	S292-15	SLEEVING 17.0 IN LG BULK ITEM S292-15-17.00 -----	1	
-13	1280506-60	LINE ASSEMBLY-DOOR CLOSE -----	1	
-14	1280506-63	LINE ASSEMBLY-DOOR OPEN -----	1	
-15	1280504-1	ACTUATOR-UNLOCK -----	1	
		ATTACHING PARTS		
-16	AN509-416R29	SCREW -----	2	
	AN960-416L	WASHER -----	2	
	NAS679A4	NUT -----	2	
		-----*		
-17	1280506-58	LINE ASSEMBLY-GEAR DOWN -----	1	
-18	MS35489-34	GROMMET -----	1	
-19	1280506-57	LINE ASSEMBLY-GEAR DOWN -----	1	
-20	AN919-2D	REDUCER -----	1	
	MS28778-4	GASKET -----	1	
-21	SEE FIG 118	ACTUATOR ASSEMBLY-NOSE GEAR -----	1	
		ATTACHING PARTS		
-22	NAS464P5-42	BOLT -----	1	
-23	AN916-516L	WASHER -----	2	
-24	1280608-1	BUSHING-ACTUATOR -----	1	
-25	AN320-5	NUT -----	1	
-26	MS24665-136	PIN-COTTER -----	1	
		-----*		
-27	S1167-3-01414	HOSE ASSEMBLY -----	1	
		ATTACHING PARTS		
-28	AN833-3D	ELBOW -----	1	
	MS28778-3	GASKET -----	1	
	AN6289D3	NUT -----	1	
	MS9058-03	RING-BACK UP -----	1	
-29	AN832-3D	UNION-BULKHEAD -----	1	
	AN960PD616	WASHER -----	1	
	AN924-3D	NUT -----	1	
		-----*		

CONTINUED ON NEXT PAGE

FIGURE AND INDEX NO.	PART NUMBER	DESCRIPTION	UNITS PER ASSY	USABLE ON CODE
			1 2 3 4 5 6 7	
117 -30	S1167-3-0122	HOSE ASSEMBLY ----- ATTACHING PARTS -----	1	
-31	AN837-3D	ELBOW -----	1	
	MS28778-3	GASKET -----	1	
	MS9058-03	RING-BACKUP -----	1	
	AN6289D3	NUT -----	1	
-32	AN833-3D	ELBOW -----	1	
	AN960PD616	WASHER -----	2	
	AN9243D	NUT -----	1	
		-----*-----		
-33	1280506-55	LINE ASSEMBLY-GEAR DOWN ----- ATTACHING PARTS -----	1	
-34	AN832-4D	UNION-BULKHEAD -----	1	
	AN960PD716	WASHER -----	1	
	AN924-4D	NUT -----	1	
		-----*-----		
-35	1280506-56	LINE ASSEMBLY-GEAR DOWN -----	1	
-36	1280506-59	LINE ASSEMBLY-DCOR CLOSE -----	1	
-37	1280506-54	LINE ASSEMBLY-GEAR UP -----	1	
-38	1280506-53	LINE ASSEMBLY-GEAR UP -----	1	
-39	1280506-64	LINE ASSEMBLY-DCOR OPEN -----	1	
		A---210 SERIAL 21058819 THRU 21059061 T210 SERIAL T210-0198 THRU T210-0392		

FIGURE AND INDEX NO.	PART NUMBER	DESCRIPTION	UNITS PER ASSY	USABLE ON CODE
		1 2 3 4 5 6 7		
117A-		NOSE GEAR & NOSE GEAR DOCRS HYDRAULIC SYSTEM INSTALLATION -----	NP	A
- 1	AN834-4D	TEE-BULKHEAD -----	1	
	AN960PD716	WASHER -----	2	
	AN924-4D	NUT -----	1	
- 2	AN804-D4	TEE -----	2	
	AN960PD716	WASHER -----	4	
	AN924-4D	NUT -----	2	
- 3	SEE FIGURE 124	ACTUATOR-WHEEL DOCR -----		
		ATTACHING PARTS -----		
- 4	AN3-13A	BOLT -----	1	
	AN960-10L	WASHER -----	2	
	NAS43HT3-19	SPACER -----	1	
- 5	NAS679A3	NUT -----	2	
	AN3-7A	BOLT -----	1	
- 6	AN960-10	WASHER -----	AR	
		-----*		
- 7	S1167C4-0095	HOSE ASSEMBLY-DOCR OPEN -----	1	
		CONTINUED ON NEXT PAGE		

Hydraulic System (Cont)



210 SERIAL 21059062 & ON
T210 SERIAL T210-0393 & ON

Figure 117A. Nose Gear & Nose Gear Doors Hydraulic System Installation



FIGURE AND INDEX NO.	PART NUMBER	DESCRIPTION							UNITS PER ASSY	USABLE ON CODE
		1	2	3	4	5	6	7		
117A- 8	S1167C4-0126	HOSE ASSEMBLY-DOOR CLOSE -----							1	
	AN833-3D	ELBOW -----							2	
	AN960PD616	WASHER -----							4	
	AN924-3D	NUT -----							2	
- 9	AN833-4D	ELBOW -----							2	
-10	MS9058D4	RING-BACKUP -----							2	
-11	AN6289D4	NUT -----							2	
-12	1280506-126	LINE ASSEMBLY-DOOR OPEN -----							1	
-13	1280506-125	LINE ASSEMBLY-DOOR CLOSE -----							1	
-14	1280504-1	ACTUATOR ASSEMBLY -----							1	
		ATTACHING PARTS								
-15	AN4-14A	BOLT -----							2	
-16	AN960-416	WASHER -----							2	
	NAS679A4	NUT -----							2	
		*-----								
-17	AN919-2D	REDUCER -----							1	
	MS28778-4	GASKET -----							1	
-18	1280506-128	LINE ASSEMBLY GEAR DOWN -----							1	
-19	1280506-127	LINE ASSEMBLY-GEAR DOWN -----							1	
-20	SEE FIGURE 118	ACTUATOR ASSEMBLY-NOSE GEAR -----							1	
		ATTACHING PARTS								
-21	NAS464P5-42	BOLT -----							1	
-22	AN960-516L	WASHER -----							1	
-23	1280608-1	BUSHING-ACTUATOR -----							2	
-24	AN320-5	NUT -----							1	
-25	MS24665-136	PIN-COTTER -----							1	
		*-----								
-26	S1167-3-	*	HOSE ASSEMBLY-GEAR DOWN -----						1	
			ATTACHING PARTS							
-27	AN832-3D	UNION-BULKHEAD -----							1	
	AN960PD616	WASHER -----							1	
	AN924-3D	NUT -----							1	
-28	AN833-3D	ELBOW -----							1	
	AN960PD616	WASHER -----							1	
	AN924-3D	NUT -----							1	
		*-----								
-29	S1167-3-	*	HOSE ASSEMBLY GEAR UP -----						1	
			ATTACHING PARTS							
-30	AN837-3D	ELBOW -----							1	
	MS28778-3	GASKET -----							1	
	MS9058-03	RING-BACKUP -----							1	
	AN6289D3	NUT -----							1	
-31	AN833-3D	ELBOW -----							1	
	AN960PD616	WASHER -----							2	
	AN924-3D	NUT -----							1	
		*-----								
-32	1280506-135	LINE ASSEMBLY-GEAR DOWN -----							1	
-33	1280506-138	LINE ASSEMBLY-DOOR CLOSE -----							1	
-34	1280506-54	LINE ASSEMBLY-GEAR UP -----							1	
-35	1280506-140	LINE ASSEMBLY-GEAR UP -----							1	
-36	1280506-139	LINE ASSEMBLY-DOOR OPEN -----							1	
-37	1280506-134	LINE ASSEMBLY-GEAR DOWN -----							1	
		ATTACHING PARTS								
-38	AN832-4D	UNION-BULKHEAD -----							1	
	AN960PD716	WASHER -----							1	
	AN924-4D	NUT -----							1	
		*-----								
NOTE. *LENGTH TO BE DETERMINED LATER.										
A---210 SERIAL 21059C62 & ON T210 SERIAL T210-0393 & ON										

Hydraulic System (Cont)

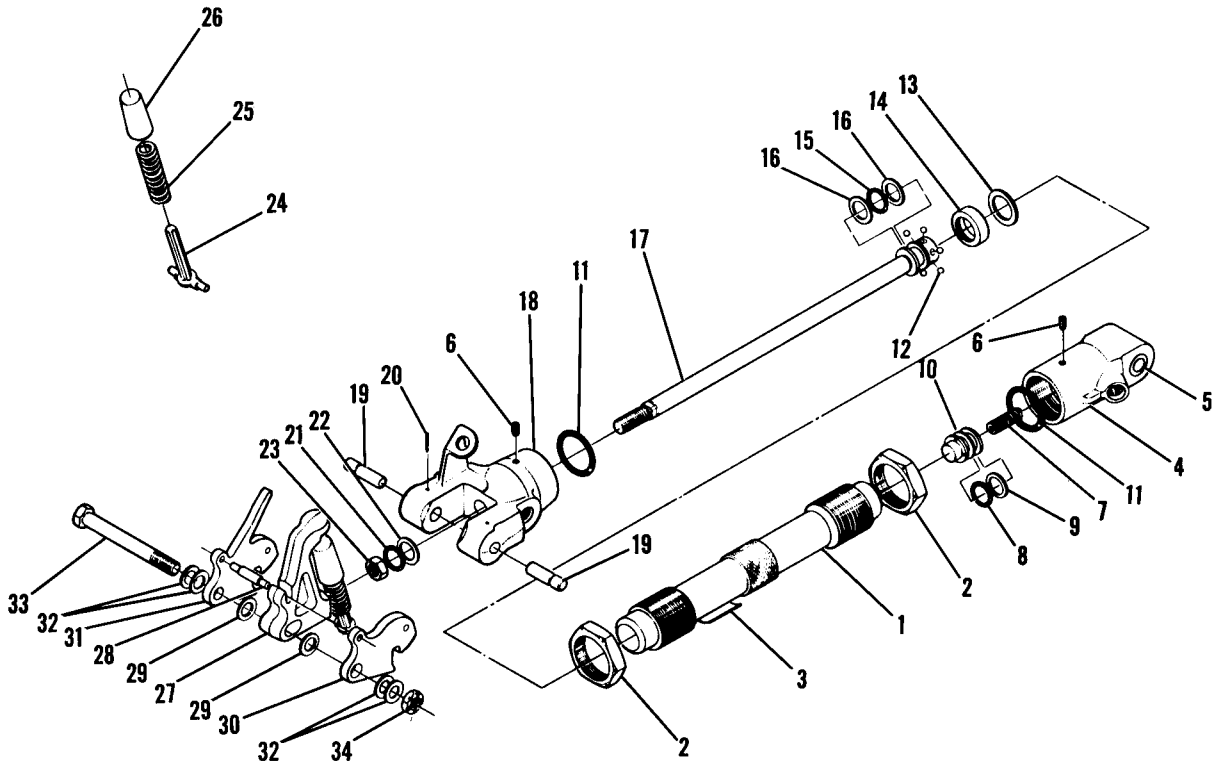


Figure 118. Nose Gear Retraction & Drag Strut Actuator

FIGURE AND INDEX NO.	PART NUMBER	DESCRIPTION	UNITS PER ASSY	USABLE ON CODE
		1 2 3 4 5 6 7		
118 -	1280512-1	NOSE GEAR RETRACTION & DRAG STRUT ACTUATOR -----	1	
- 1	294710-1	BARREL OAC -----	1	
- 2	1280211-2	NUT OAS -----	2	
- 3	OAS200-1	NAMEPLATE OAS -----	1	
- 4	294717-1	HEAD OAS -----	1	
- 5	294714-1	BUSHING OAS -----	1	
- 6	M75FS1024-5CR	SETSCREW -----	2	
- 7	294715-1	SPRING OAS -----	1	
- 8	AN6227B10	PACKING -----	1	
- 9	MS28774-112	PACKING-BACKUP -----	1	
-10	294716-1	PLUNGER OAS -----	1	
-11	AN6227B19	PACKING -----	2	
-12	MS150455	BALL -----	6	
-13	294713-1	WASHER-STOP OAS -----	1	
-14	294712-1	RACE OAS -----	1	
-15	AN6227B11	PACKING -----	1	
-16	MS28774-113	PACKING-BACKUP -----	2	
-17	294709-1	PISTON & ROD OAS -----	1	
-18	294708-1	BEARING END OAS -----	1	
-19	294702-1	PIN OAS -----	2	
-20	MS16562-18	ROLL PIN -----	2	
-21	AN6227B9	PACKING -----	1	
-22	MS28774-111	PACKING-BACK UP -----	1	
-23	1280612-1	NUT OAS -----	1	
-24	1280206-1	GUIDE-SPRING OAS -----	1	
-25	1280231-1	SPRING OAS -----	1	
-26	1280207-1	SHIELD OAS -----	1	
-27	1280234-2	ROD END OAS -----	1	
-28	1280210-1	CROSS BAR OAS -----	1	
-29	AN960-616	WASHER -----	3	
-30	1280602-1	HOOK OAS -----	1	
-31	1280602-2	HOOK OAS -----	1	
-32	AN960-616L	WASHER -----	5	
-33	NAS464P6-44	BOLT -----	1	
-34	AN320-6	NUT -----	1	

Hydraulic System (Cont)

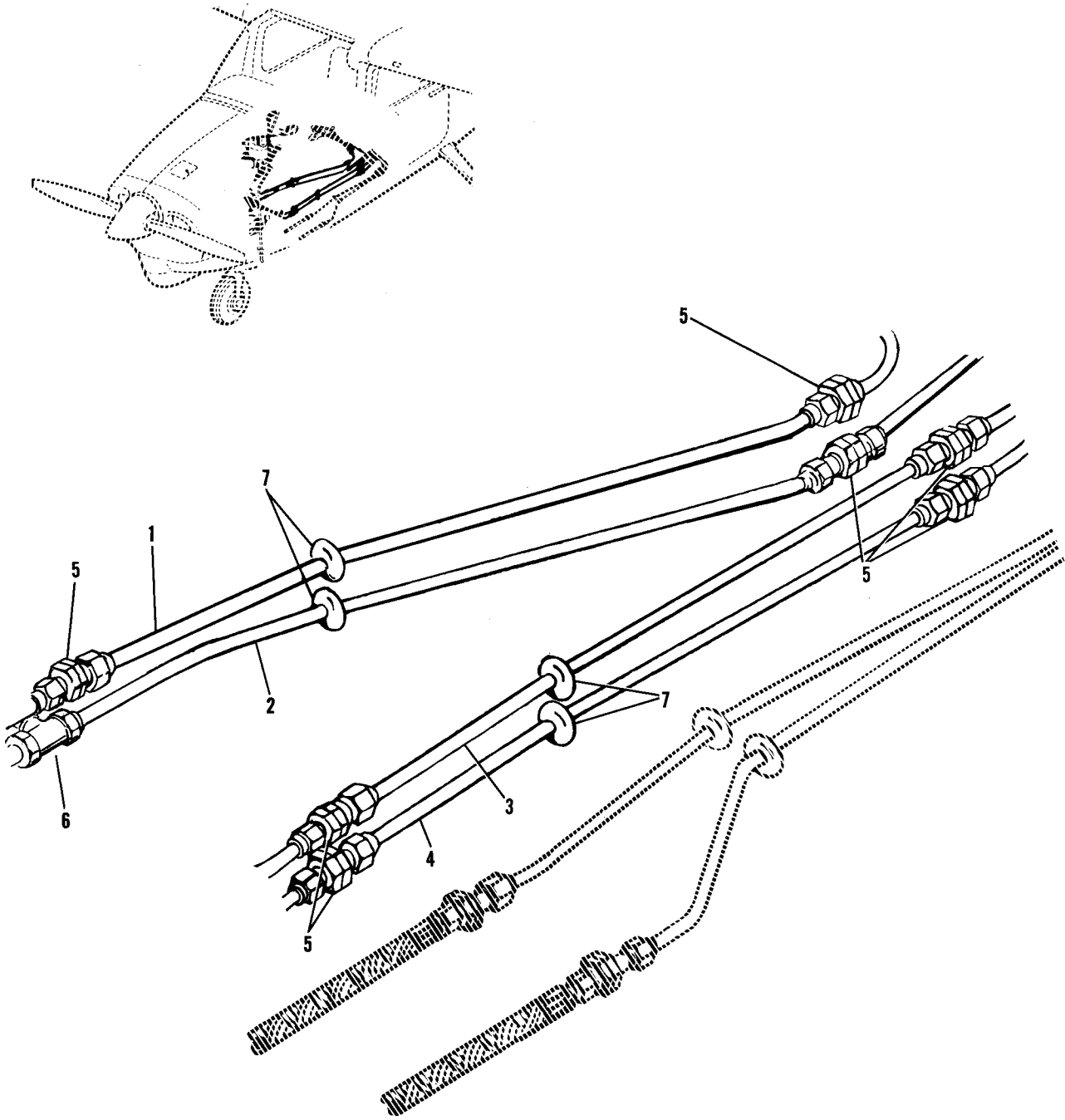


Figure 119. Hydraulic System Installation- Sta. 18.00 to 44.00



FIGURE AND INDEX NO.	PART NUMBER	DESCRIPTION	UNITS PER ASSY	USABLE ON CODE
119 -		HYDRAULIC SYSTEM INSTALLATION—STA. 18.00 TO 44.00 -----	NP	
- 1	1280506-35	LINE ASSEMBLY—DOOR OPEN -----	1	
- 2	1280506-23	LINE ASSEMBLY—GEAR UP -----	1	
- 3	1280506-33	LINE ASSEMBLY—DOOR CLOSED -----	1	
- 4	1280506-28	LINE ASSEMBLY—GEAR DOWN -----	1	
- 5	AN832-4D	UNION—BULKHEAD -----	7	
	AN960PD716	WASHER -----	7	
	AN924-4D	NUT -----	7	
- 6	AN78304	TEE—INTERNAL THREAD -----	1	
	AN912-2D	REDUCER—EXTERNAL THREAD -----	1	
	AN960PD716	WASHER -----	1	
	MS28778-3	GASKET -----	1	
	AN924-4D	NUT—BULKHEAD -----	1	
- 7	MS35489-7	GROMMET -----	1	

Hydraulic System (Cont)

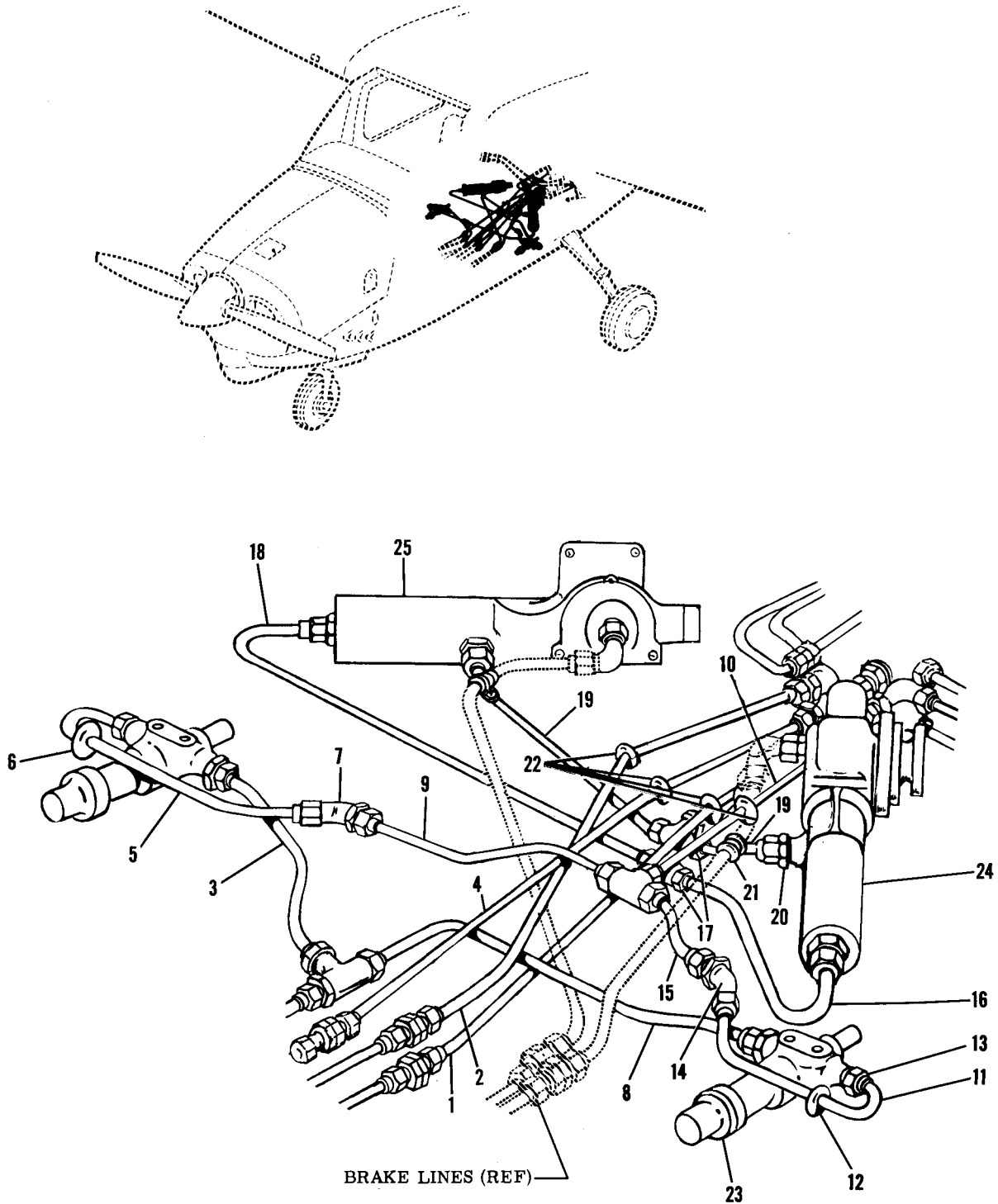


Figure 120. Hydraulic System Installation - Sta. 44.00 to 68.00



FIGURE AND INDEX NO.	PART NUMBER	DESCRIPTION	UNITS PER ASSY	USABLE ON CODE
120 -		HYDRAULIC SYSTEM INSTALLATION—STA. 44.00 TO 68.33 -----	NP	
- 1	1280506-29	LINE ASSEMBLY—GEAR DOWN -----	1	
- 2	1280506-34	LINE ASSEMBLY—DOOR CLOSED -----	1	
- 3	1280506-36	LINE ASSEMBLY—DOOR OPEN -----	1	
- 4	1280506-24	LINE ASSEMBLY—GEAR UP -----	1	
- 5	1280506-37	LINE ASSEMBLY—DOOR OPEN -----	1	
		ATTACHING PARTS		
- 6	MS35489-6	GROMMET -----	1	
- 7	AN837-4D	ELBOW -----	2	
	AN960PD716	WASHER -----	2	
	AN924-4D	NUT -----	2	
		---*---		
- 8	1280506-38	LINE ASSEMBLY—DOOR OPEN -----	1	
- 9	1280506-78	LINE ASSEMBLY—DOOR OPEN -----	1	
-10	1280506-77	LINE ASSEMBLY—DOOR OPEN -----	1	
-11	1280506-39	LINE ASSEMBLY—DOOR OPEN -----	1	
		ATTACHING PARTS		
-12	MS35489-6	GROMMET -----	1	
-13	AN15D	UNION -----	1	
	MS28778-4	GASKET -----	1	
-14	AN837-4D	ELBOW -----	1	
	AN960PD716	WASHER -----	2	
	AN924-4D	NUT -----	1	
		---*---		
-15	1280506-40	LINE ASSEMBLY—DOOR OPEN -----	1	
-16	1280506-101	LINE ASSEMBLY—GEAR UP LH -----	1	
-17	AN834-4D	TEE -----	2	
	AN960PD716	WASHER -----	2	
	AN924-4D	NUT -----	2	
-18	1280506-102	LINE ASSEMBLY—GEAR UP RH SIDE -----	1	
-19	1280506-113	LINE ASSEMBLY—GEAR DOWN LH SIDE -----	2	
		ATTACHING PARTS		
-20	AN815-4D	UNION -----	1	
	MS28778-4	GASKET -----	1	
		---*---		
-21	755AE4-2-6	CLAMP AP -----	1	
	MS21919DG3	CLAMP AP -----	1	
	AN815-8R8	SCREW -----	1	
-22	MS35489-7	GROMMET -----	4	
-23	SEE FIG 125	ACTUATOR ASSEMBLY—UNLOCK -----	2	
-24	SEE FIG 121	ACTUATOR—MAIN GEAR ROTARY LH -----	1	
-25	SEE FIG 121	ACTUATOR—MAIN GEAR ROTARY RH -----	1	
		ATTACHING PARTS		
	MKN1304-4H	BOLT KNM -----	4	
		---*---		

Hydraulic System (Cont)

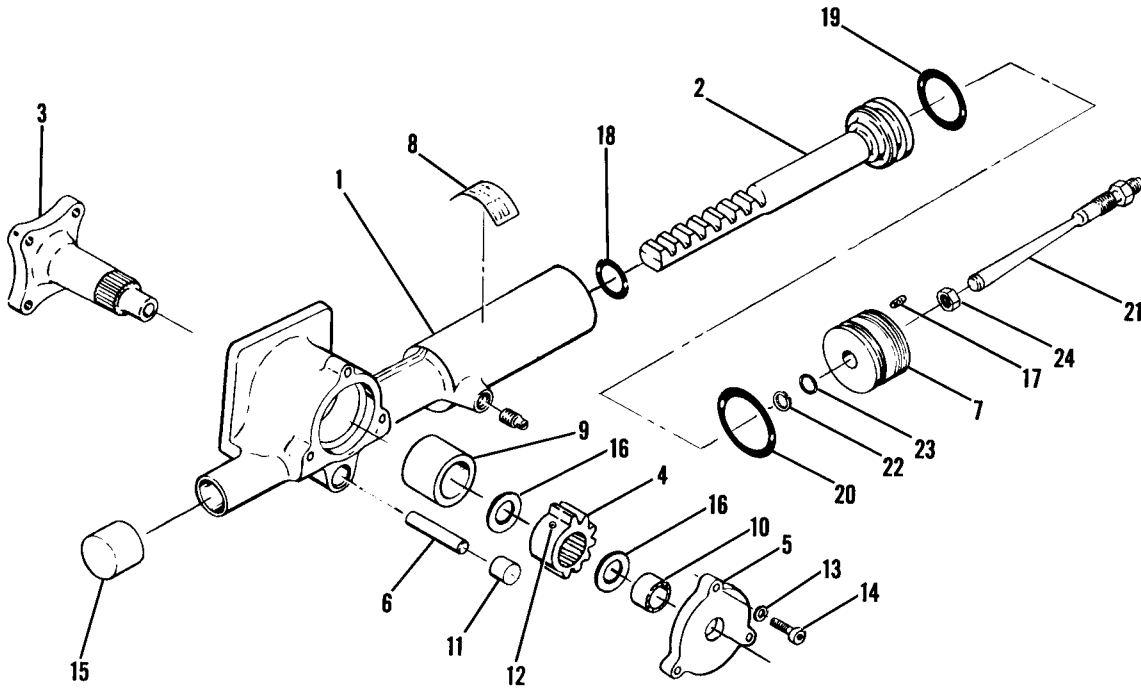


Figure 121. Main Gear Rotary Actuator Assembly

FIGURE AND INDEX NO.	PART NUMBER	DESCRIPTION	UNITS PER ASSY	USABLE ON CODE
		1 2 3 4 5 6 7		
121 -	1280511-5	MAIN GEAR ROTARY ACTUATOR ASSEMBLY LH -----	1	
	1280511-6	MAIN GEAR ROTARY ACTUATOR ASSEMBLY RH -----	1	
- 1	294401-041	BODY ASSEMBLY-LH ONLY OAC -----	1	
	294401-051	BODY ASSEMBLY-RH ONLY OAC -----	1	
- 2	294402-103	PISTON OAC -----	1	
- 3	294405-101	SHAFT OAC -----	1	
- 4	294406-101	SECTOR OAC -----	1	
- 5	294407-101	CAP OAC -----	1	
- 6	294408-101	ROLLER OAC -----	1	
- 7	294414-101	GLAND OAC -----	1	
- 8	200-1	NAMEPLATE OAC LH ACTUATOR -----	1	
	200-2	NAMEPLATE OAC LH ACTUATOR -----	1	
- 9	B1612X	BEARING TOR -----	1	
-10	B128X	BEARING TOR -----	1	
-11	M781X	BEARING TCR -----	2	
-12	294412-101	SET SCREW OAC -----	1	
-13	AN960PD10	WASHER -----	3	
-14	NAS608-3-10	SCREW -----	3	
-15	1 1/4SC	CAP PLUG -----	1	
-16	294411-101	WASHER OAC -----	2	
-17	NAS1081-3A4	SET SCREW -----	1	
-18	MS28-77S213	PACKING -----	1	
-19	MS28775-327	PACKING -----	1	
-20	MS28775-135	PACKING -----	1	
-21	294413-101	METERING PIN OAC -----	1	
-22	CS43	SNAP RING OAC -----	1	
-23	MS28775-013	PACKING -----	1	
-24	294409-101	NUT OAC -----	1	

Hydraulic System (Cont)

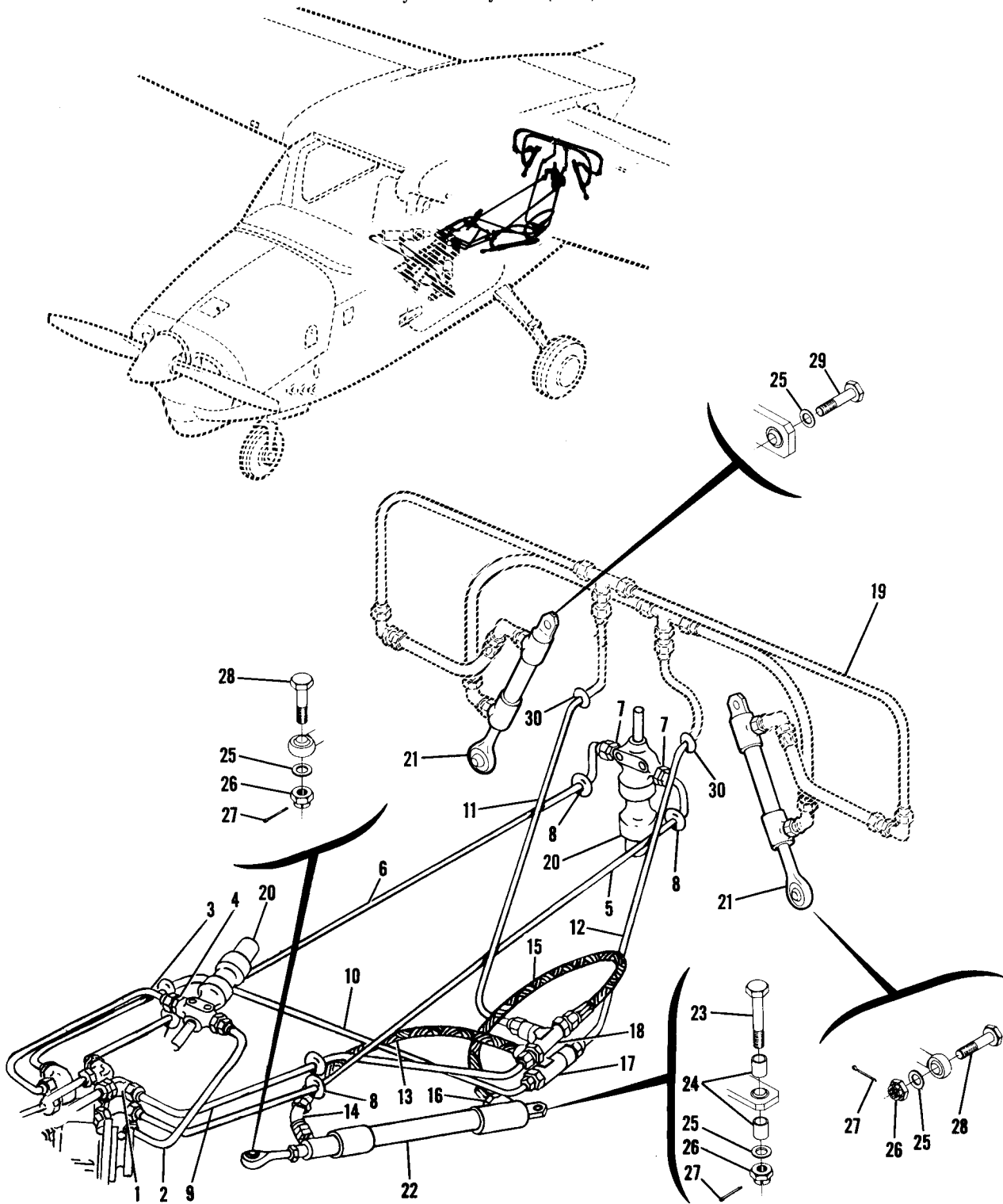


Figure 122. Hydraulic System Installation Sta. 68.00 to 98.00

FIGURE AND INDEX NO.	PART NUMBER	DESCRIPTION	UNITS PER ASSY	USABLE ON CODE
		1 2 3 4 5 6 7		
122 -		HYDRAULIC SYSTEM INSTALLATION—STA 68.33 TO 98.00 -----	NP	
- 1	AN833-4D	ELBOW -----	6	
	AN960PD716	WASHER -----	12	
	AN924-4D	NUT -----	6	
- 2	1280506-48	LINE ASSEMBLY—GEAR UP -----	1	
- 3	1280506-47	LINE ASSEMBLY—GEAR UP -----	1	
		ATTACHING PARTS		
- 4	AN815-4D	UNION -----	1	
	MS28778-4	GASKET -----	1	
		-----*		
- 5	1280506-49	LINE ASSEMBLY—GEAR DOWN -----	1	
- 6	1280506-50	LINE ASSEMBLY—GEAR DOWN -----	1	
		ATTACHING PARTS		
- 7	AN815-4D	UNION -----	1	
	MS28778-4	GASKET -----	1	
- 8	MS35487-7S	GROMMET -----	4	
		-----*		
- 9	1280506-45	LINE ASSEMBLY—DOOR OPEN -----	1	
-10	1280506-46	LINE ASSEMBLY—DOOR CLOSE -----	1	
-11	1280506-9	LINE ASSEMBLY—DOOR OPEN -----	1	
-12	1280506-95	LINE ASSEMBLY—DOOR CLOSED -----	1	
-13	S1167-4-0124	HOSE ASSEMBLY -----	1	
		ATTACHING PARTS		
-14	AN837-4D	ELBOW -----	1	
	MS28778-4	GASKET -----	1	
	MS9058-4	RING-BACK UP -----	1	
	AN6289D4	NUT -----	1	
		-----*		
-15	S1167-4-0140	HOSE ASSEMBLY -----	1	
		ATTACHING PARTS		
-16	AN815-4D	UNION -----	1	
	MS28778-4	GASKET -----	1	
		-----*		
-17	AN804D4	TEE -----	1	
	AN924-4D	NUT -----	1	
	MS28778-4	GASKET -----	2	
	AN960PD716	WASHER -----	1	
-18	AN804D4	TEE -----	1	
	AN894D4-3	BUSHING -----	1	
	AN919-2D	REDUCER -----	1	
	MS28778-4	GASKET -----	2	
	AN960PE716	WASHER -----	1	
-19	SEE FIG 123	LINES INSTALLATION—MG WHEEL DOOR ACTUATOR AFT OF -----	1	
		BULKHEAD STA 98.0		
-20	SEE FIG 125	ACTUATOR—UNLOCK -----	2	
		ATTACHING PARTS		
	AN4-16A	BOLT -----	2	
	AN960-416L	WASHER -----	2	
	NAS679A4	NUT -----	2	
		-----*		
-21	SEE FIG 124	ACTUATOR—MAIN GEAR DOORS -----	2	
-22	SEE FIG 124	ACTUATOR—MAIN GEAR STRUT DOORS -----	1	
		ATTACHING PARTS		
-23	AN3-16	BOLT -----	1	
-24	NAS43HT3-24	SPACER -----	2	
-25	AN960-10	WASHER -----	1	
-26	AN310-3	NUT -----	1	
-27	MS24665-134	PIN-COTTER -----	1	
-28	AN3-7	BOLT -----	1	
-29	AN3-10A	BOLT -----	1	
-30	MS35487-5S	GROMMET -----	2	
		-----*		



Hydraulic System (Cont)

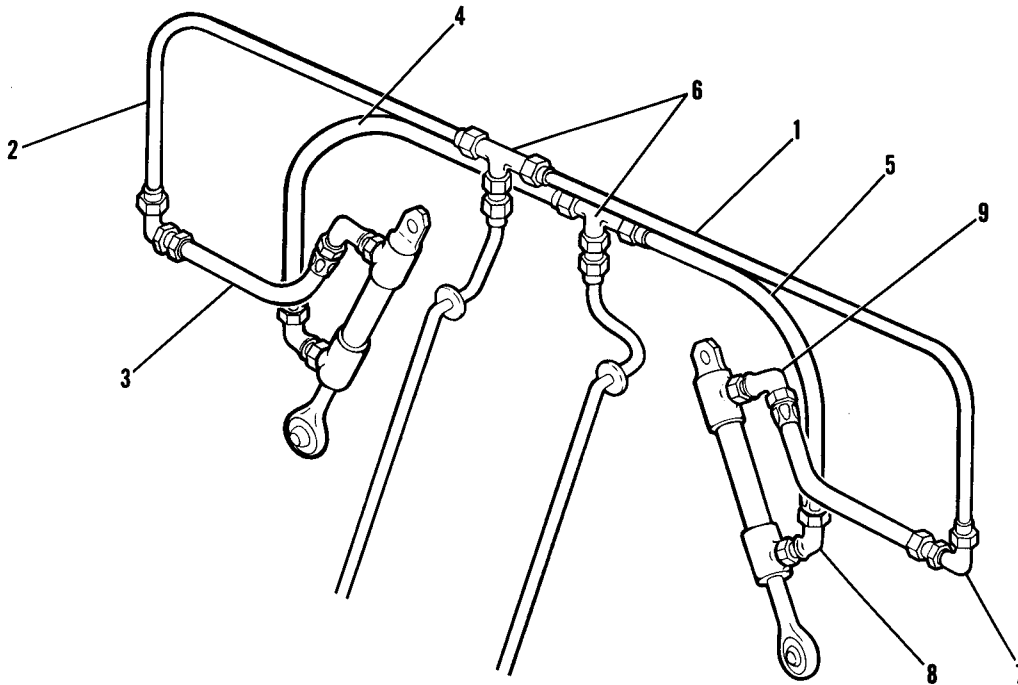


Figure 123. Main Gear Wheel Door Actuator Lines Installation Aft of Sta. 98.00

FIGURE AND INDEX NO.	PART NUMBER	DESCRIPTION	UNITS PER ASSY	USABLE ON CODE
123 -		1 2 3 4 5 6 7 MAIN GEAR WHEEL DOOR ACTUATOR LINES INSTALLATION ----- AFT OF BULKHEAD STA 98.0	NP	
- 1	1280506-97	LINE ASSEMBLY-DOOR OPEN LH -----	1	
- 2	1280506-98	LINE ASSEMBLY-DOOR OPEN RH -----	1	
- 3	S1167-4-0074	HOSE ASSEMBLY-DOOR OPEN -----	2	
- 4	S1167-4-0146	HOSE ASSEMBLY-DOOR CLOSE RH -----	1	
- 5	S1167-4-0172	HOSE ASSEMBLY-DOOR CLOSE LH -----	1	
- 6	AN834-4D	TEE -----	2	
	AN960-716	WASHER -----	2	
	AN924-4D	NUT -----	2	
- 7	AN833-4D	ELBOW-90 DEGREE -----	2	
	AN960-716	WASHER -----	2	
	AN924-4D	NUT -----	2	
- 8	AN837-4D	ELBOW-45 DEGREE -----	2	
	MS9058-04	RING-BACK UP -----	2	
	MS28778-4	O RING -----	2	
	AN6289D4	NUT -----	2	
- 9	AN833-4D	ELBOW-90 DEGREE -----	2	
	MS9058-04	RING-BACK UP -----	2	
	MS28778-4	O RING -----	2	
	AN6289D4	NUT -----	2	

Hydraulic System (Cont)

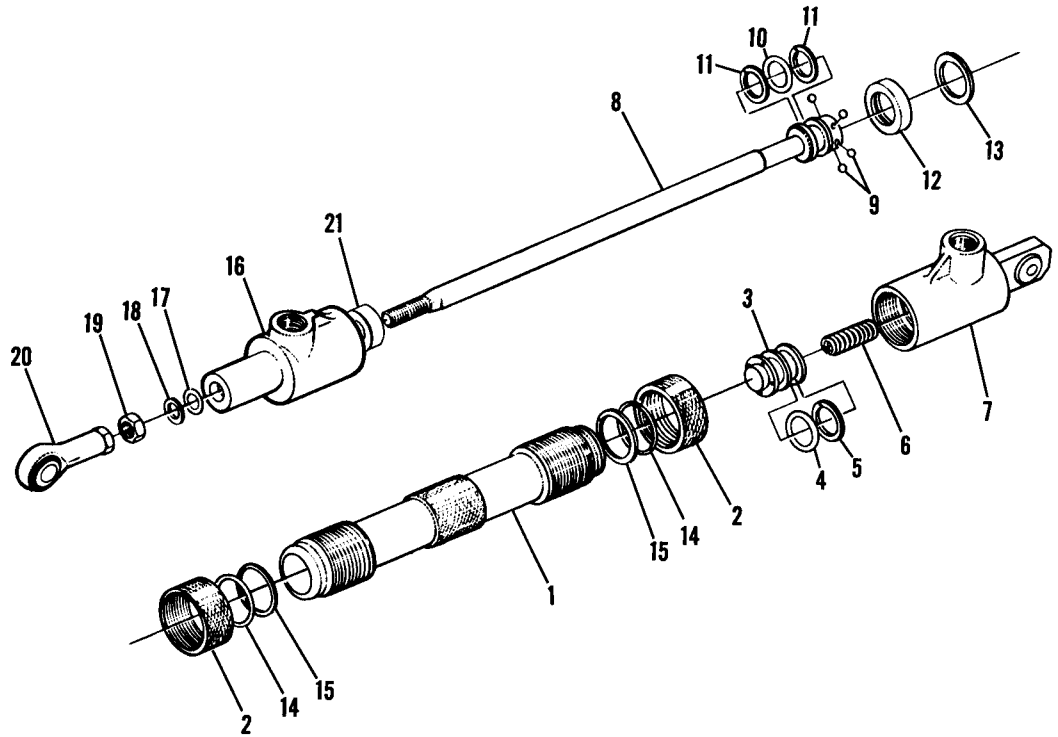


Figure 124. Nose Gear Doors & Main Gear Strut Doors Actuator Assembly

FIGURE AND INDEX NO.	PART NUMBER	DESCRIPTION	UNITS PER ASSY	USABLE ON CODE
		1 2 3 4 5 6 7		
124 -	1280513-1	MAIN GEAR STRUT DOORS ACTUATOR ASSEMBLY -----	2	
	1280513-2	MAIN GEAR DOORS ACTUATOR ASSEMBLY -----	2	
	1280513-1	NOSE GEAR DOOR ACTUATOR ASSEMBLY -----	1	A
	1280513-6	NOSE GEAR DOOR ACTUATOR ASSEMBLY -----	1	B
- 1	294902-101	BARREL OAC USED ON 1280513-1 & 1280513-2 ASSEMBLIES ONLY	1	
	294902-104	BARREL OAC USED ON 1280513-6 ASSEMBLY ONLY	1	
- 2	294909-101	NUT OAC -----	2	
- 3	294906-101	PLUNGER OAC -----	1	
- 4	MS28775-112	C RING -----	1	
- 5	MS28774-112	RING-BACKUP -----	1	
- 6	294715-1	SPRING -----	1	
- 7	294908-041	CLEVIS ASSEMBLY-END OAC -----	1	
- 8	294903-101	PISTON ROD OAC USED ON 1280513-1 & 1280513-2	1	
	294903-104	PISTON ROD OAC USED ON 1280513-6 ASSEMBLY ONLY	1	
		ASSEMBLIES ONLY		
- 9	MS150453	BALL -----	6	
-10	MS28775-111	C RING -----	1	
-11	MS28774-111	RING-BACKUP -----	2	
-12	294904-101	RACE OAC -----	1	
-13	294905-101	WASHER OAC -----	1	
-14	MS28775-018	C RING -----	2	
-15	MS28774-18	RING-BACKUP -----	2	
-16	294901-101	END-GLAND OAC -----	1	
-17	MS28775-011	C RING -----	1	
-18	MS28774-11	RING-BACKUP -----	1	
-19	AN316-4R	NUT -----	1	
-20	F34-14	ROD END HEC -----	1	
-21	294907-101	SPACER OAC USED ON 1280513-2 ASSEMBLY ONLY	1	
	294907-106	SPACER OAC USED ON 1280513-6 ASSEMBLY ONLY	1	
		A---210 SERIAL 21058918 THRU 21059061 T210 SERIAL T210-0198 THRU T210-0392		
		B---210 SERIAL 21059062 & ON T210 SERIAL T210-0393 & ON		

Hydraulic System (Cont)

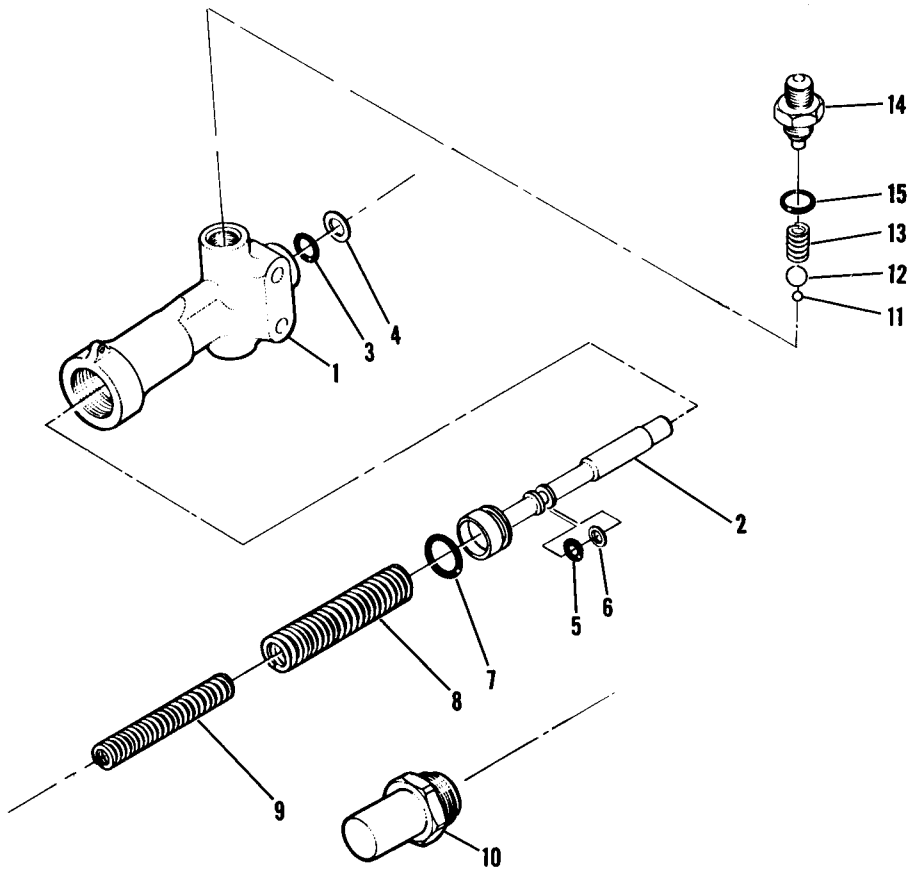


Figure 125. Unlock & Sequence Actuator Assembly

FIGURE AND INDEX NO.	PART NUMBER	DESCRIPTION	UNITS PER ASSY	USABLE ON CODE
125 -	1280504-1	UNLOCK & SEQUENCE ACTUATOR ASSEMBLY -----	3	
- 1	1280609-3	BARREL & VALVE BODY -----	1	
- 2	1280610-1	PISTON & ROD -----	1	
- 3	S1120-363	O RING -----	1	
- 4	S1121-389	RING-BACKUP -----	1	
- 5	S1120-181	O RING -----	1	
- 6	S1121-207	RING-BACKUP -----	1	
- 7	AN6227B11	O RING -----	1	
- 8	1280222-1	SPRING-OUTER -----	1	
- 9	1280222-3	SPRING-INNER -----	1	
-10	1280611-1	PLUG -----	1	
-11	S272-5	BALL -----	1	
-12	S272-9	BALL -----	1	
-13	1280222-2	SPRING -----	1	
-14	1280223-1	FITTING ASSEMBLY -----	1	
-15	MS28778-4	GASKET -----	1	
	S1440-1	NAMEPLATE -----	1	

Hydraulic System (Cont)

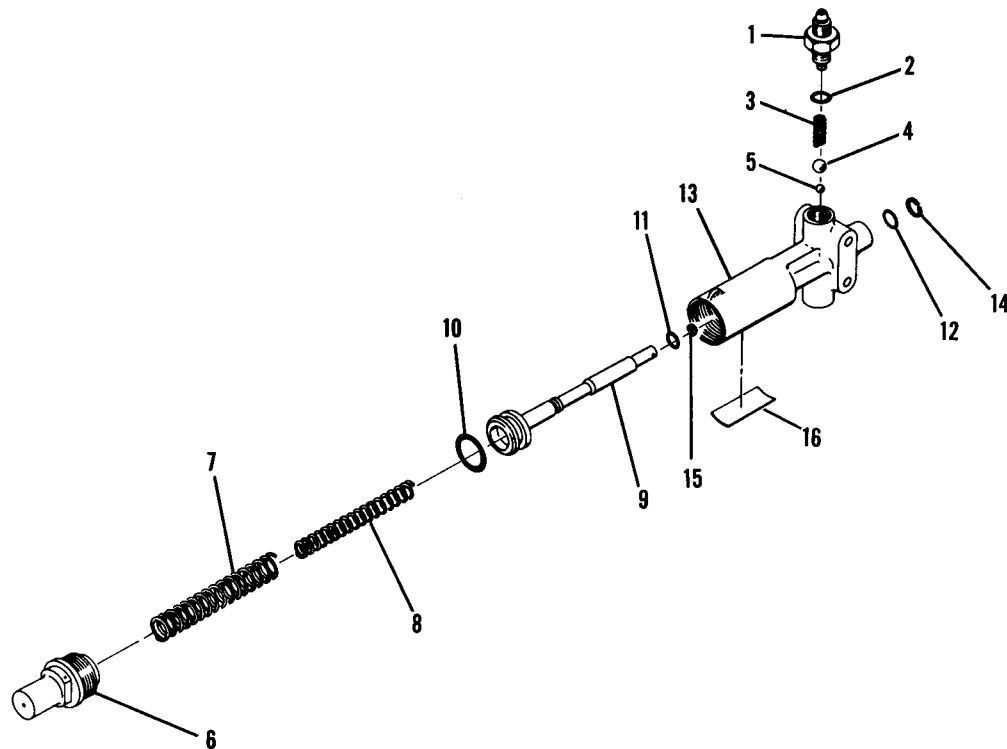
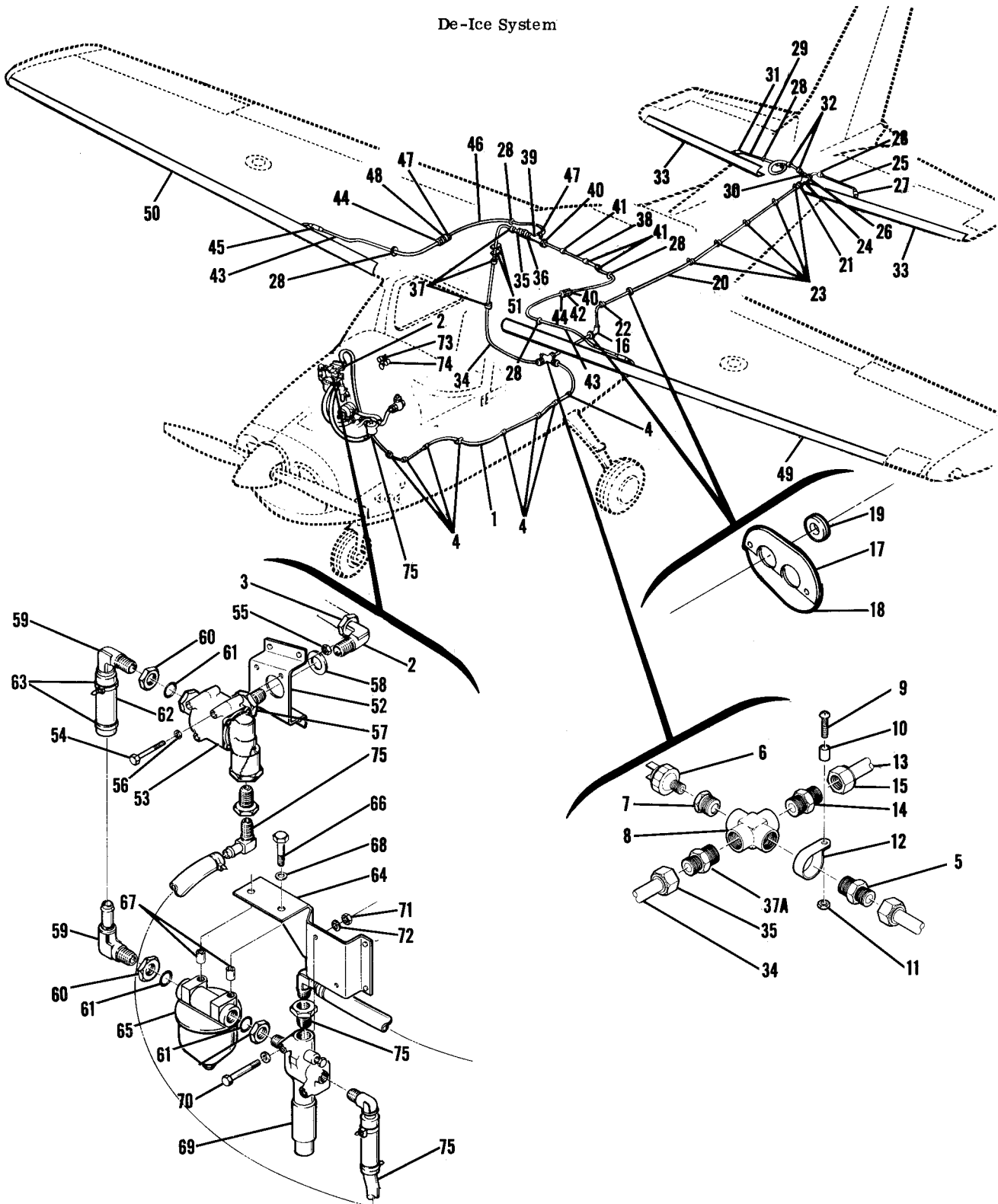


Figure 126. Lock Cylinder Assembly

FIGURE AND INDEX NO.	PART NUMBER	DESCRIPTION	UNITS PER ASSY	USABLE ON CODE
		1 2 3 4 5 6 7		
126 -	1280109-3	LOCK CYLINDER ASSEMBLY -----	2	
- 1	1280223-1	FITTING ASSEMBLY-LOCK CYLINDER -----	1	
- 2	MS28778-4	GASKET -----	1	
- 3	1280222-2	SPRING-LOCK CYLINDER -----	1	
- 4	S272-9	BALL -----	1	
- 5	S272-5	BALL -----	1	
- 6	1280221-1	END PLUG-LOCK CYLINDER -----	1	
- 7	1280222-1	SPRING-LOCK CYLINDER -----	1	
- 8	1280222-3	SPRING-LOCK CYLINDER -----	1	
- 9	1280220-3	PISTON & ROD-LOCK CYLINDER -----	1	
-10	AN6227B15	O RING -----	1	
-11	S1120-181	O RING -----	1	
-12	S1120-363	O RING -----	1	
-13	1280219-3	BARREL & VALVE BODY-LOCK CYLINDER -----	1	
-14	S1121-389	RING-BACKUP -----	1	
-15	S1121-207	RING-BACKUP -----	1	
-16	S1440-1	NAMEPLATE -----	1	

De-Ice System



210 SERIAL 21058937 & ON
T210 SERIAL T210-0308 & ON

Figure 126A. De-Ice System-Wing & Stabilizer

FIGURE AND INDEX NO.	PART NUMBER	DESCRIPTION	UNITS PER ASSY	USABLE ON CODE
		1 2 3 4 5 6 7		
126A-		DE-ICE SYSTEM INSTALLATION-WING & STABILIZER	NP	A
- 1	S1071-4	TUBE * IN LG BULK ITEM REF S1071-4-*	1	
		ATTACHING PARTS		
- 2	270N.50T0.375	ELBOW IB	1	
- 3	S1130-4	NUT	2	
	S1131-4	INSERT	2	
- 4	49166-21	HARNESS BAND UC	8	
- 5	S1133-6	CONNECTOR	1	
		-----*		
- 6	1C1194-1	SWITCH-PRESSURE GD	1	
- 7	AN912-3D	BUSHING	1	
- 8	AN918-3D	CROSS	1	
		ATTACHING PARTS		
- 9	AN520-10R16	SCREW	1	
-10	NAS430D3-32	SPACER	1	
-11	NAS679A3	NUT	1	
-12	AN742D14	CLAMP	1	
		-----*		
-13	S1071-3	TUBE * IN LG BULK ITEM REF S1071-3-*	1	
		ATTACHING PARTS		
-14	S1133-5	CONNECTOR	1	
-15	S1130-3	NUT	2	
	S1131-3	INSERT	2	
-16	332152	ELBOW	1	
	332280	INSERT	2	
		-----*		
-17	1211462-4	COVER PLATE	2	
-18	1211462-5	COVER PLATE	2	
-19	MS35489-12	GROMMET	2	
-20	S1071-3	TUBE * IN LG BULK ITEM REF S1071-3-*	1	
		ATTACHING PARTS		
-21	S1130-3	NUT	1	
	S1131-3	INSERT	1	
-22	S1486DG6U	CLAMP	1	
-23	S1155-6	CLAMP	5	
-24	S1137-3	TEE	1	
		-----*		
-25	S1071-3	TUBE * IN LG BULK ITEM REF S1071-3-*	1	
		ATTACHING PARTS		
-26	S1130-3	NUT	1	
	S1131-3	INSERT	1	
-27	332154	COUPLING APC	1	
	332280	INSERT APC	1	
	332281	INSERT APC	1	
		-----*		
-28	MS35489-11	GROMMET	6	
-29	S1071-3	TUBE * IN LG BULK ITEM REF S1071-3-*	1	
		ATTACHING PARTS		
-30	S1130-3	NUT	1	
	S1131-3	INSERT	1	
-31	332154	COUPLING APC	1	
	332280	INSERT APC	1	
	332281	INSERT APC	1	
-32	S1155-6	CLAMP	2	
	S1021Z8-8	SCREW	2	
	NAS446-4-3	NUT	2	
		-----*		
-33	23S2038-3-1	BOOT-DE-ICER GD	2	
-34	S1071-4	TUBE * IN LG BULK ITEM REF S1071-4-*	1	
		ATTACHING PARTS		
-35	S1130-4	NUT	2	
	S1131-4	INSERT	2	
-36	266-N50X375	CONNECTOR-FEMALE IB	1	
-37	S1155-8	CLAMP	3	
-37A	S1133-6	CONNECTOR-FEMALE	1	
		-----*		
-38	S1071-3	TUBE * IN LG BULK ITEM REF S1071-3-*	1	
		ATTACHING PARTS		
-39	S1139-5	TEE	1	
-40	S1130-3	NUT	2	
	S1130-3	INSERT	2	
-41	S1155-6	CLAMP	3	
	S1021A8-6	SCREW	3	
-42	S1132-3	UNION	1	
		-----*		

CONTINUED ON NEXT PAGE

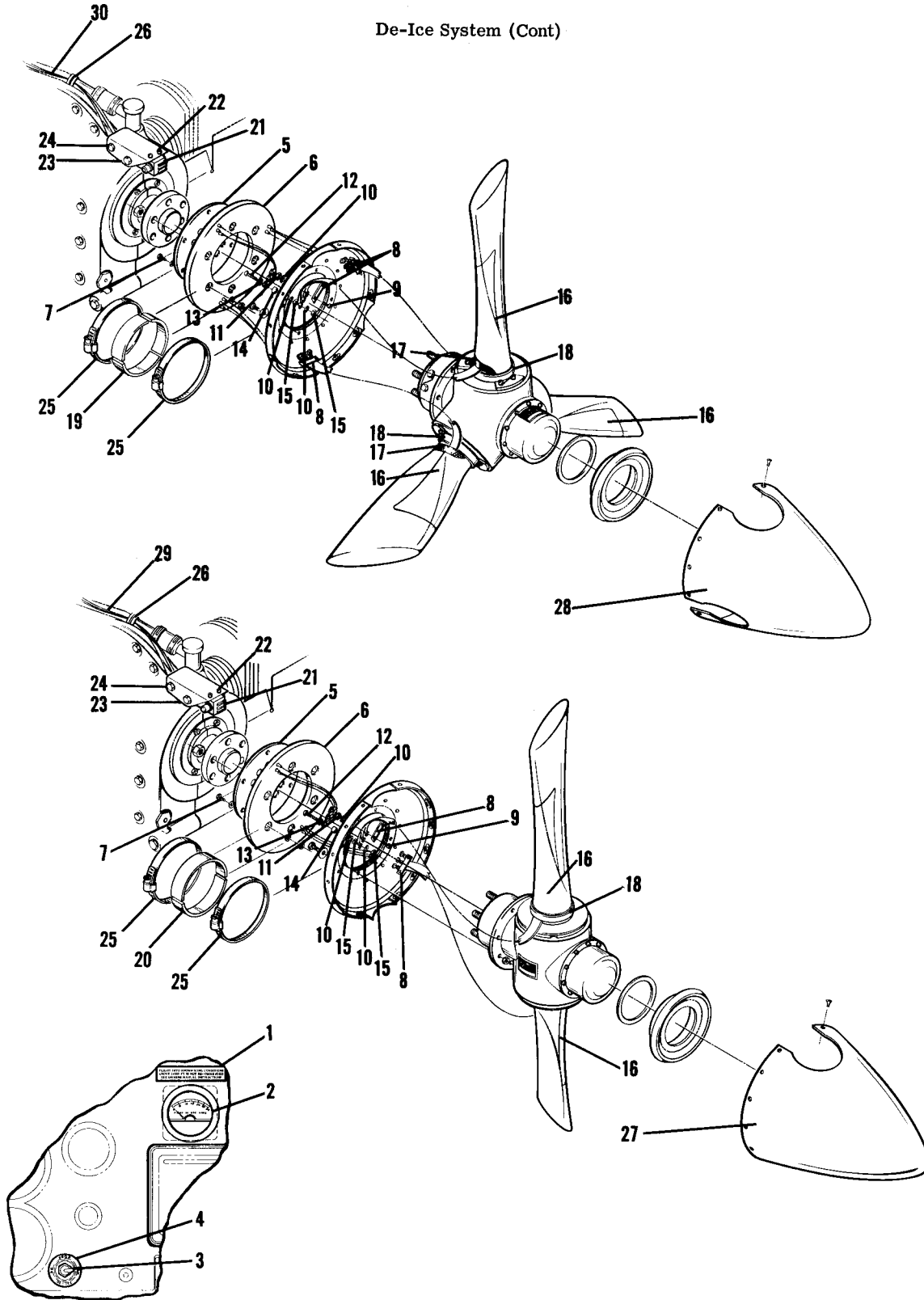
FIGURE AND INDEX NO.	PART NUMBER	DESCRIPTION	UNITS PER ASSY	USABLE ON CODE
126A-43	S1071-3	TUBE * IN LG BULK ITEM REF S1071-3-* ATTACHING PARTS	2	
-44	S1130-3	NUT	1	
	S1131-3	INSERT	1	
-45	332154	CCOUPLING APC	1	
	332280	INSERT APC	1	
	332281	INSERT APC	1	
-46	S1071-3	TUBE * IN LG BULK ITEM REF S1071-3-* ATTACHING PARTS	1	
-47	S1130-3	NUT	2	
	S1131-3	INSERT	2	
-48	S1132-3	UNION	1	
-49	23S2038-5-1	BOOT-DE-ICER LH GD	1	
-50	23S2038-5-2	BOOT-DE-ICER RH GD	1	
-51	S1C50-1	GROMMET 2.67 IN LG BULK ITEM REF S1050-1-2.67	2	
-52	1253048-1	BRACKET-SUPPORT	1	
-53	3D1549-02A-3	VALVE-SHUTTLE GD ATTACHING PARTS	1	
-54	AN3-21A	BOLT	3	
-55	NAS679A3	NUT	3	
-56	AN960-10L	WASHER	3	
-57	S1855-1	NIPPLE	1	
-58	S354-3	GROMMET	1	
-59	AN838-10	ELBOW	2	
-60	AN924-100	NUT	3	
-61	MS28778-10	O RING	3	
-62	S1495-8	HOSE 3.00 IN LG BULK ITEM S1495-8-3.00	1	
-63	S1693-2	STRAP-STAY	3	
-64	1253047-1	SUPPORT	1	
-65	140C075-13	FILTER ATTACHING PARTS	1	
-66	AN4H12A	BOLT	2	
-67	NAS43DD4-32	SPACER	2	
-68	AN960-416L	WASHER	2	
-69	3D1726	VALVE-CONTROL GD ATTACHING PARTS	1	
-70	AN3-20A	BOLT	2	
-71	NAS679A3	NUT	2	
-72	AN960-10L	WASHER	2	
-73	3D1772	SWITCH-TIMER & CONTROL GD	1	
-74	MS25041-3	LIGHT-PRESS TO TEST	1	
	MS25237-330	BULB	1	
-75	SEE FIG 110B	VACUUM SYSTEM INSTALLATION	1	

NOTE. *LENGTH TO BE DETERMINED LATER.

A---210 SERIAL 21058937 & ON
T210 SERIAL T210-0308 & ON

This page intentionally left blank.

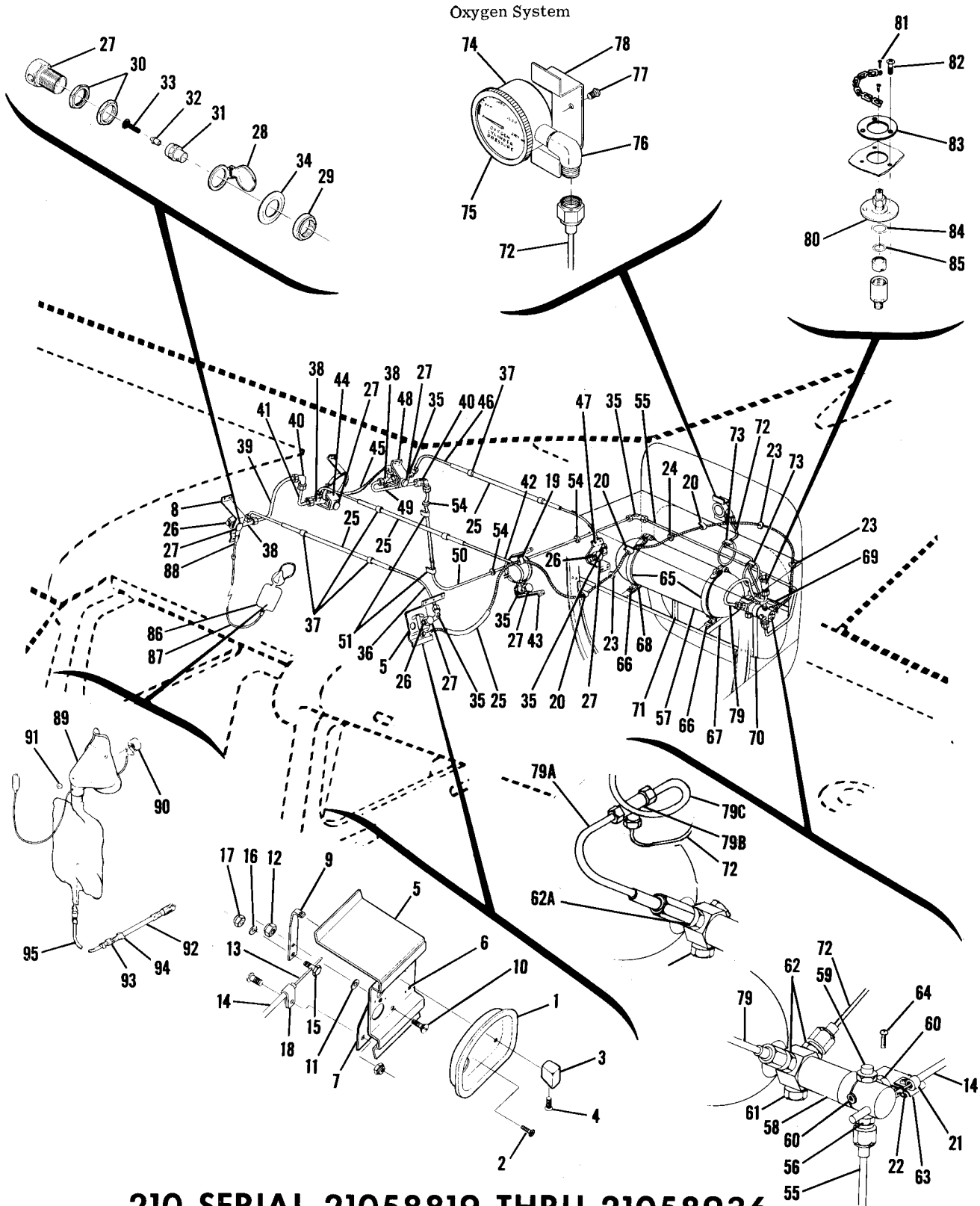
De-Ice System (Cont)



210 SERIAL 21058937 & ON
T210 SERIAL T210-0308 & ON

Figure 126B. Propeller De-Ice System

FIGURE AND INDEX NO.	PART NUMBER	DESCRIPTION	UNITS PER ASSY	USABLE ON CODE
		1 2 3 4 5 6 7		
126B-		PROPELLER DE-ICE SYSTEM INSTALLATION -----	NP	A
- 1	SEE FIG 2	PLACARD -----	1	
- 2	3E1219-6	AMMETER USED ON TWO BLADE INSTALLATION GDA -----	1	
	3E1219-7	AMMETER USED ON THREE BLADE INSTALLATION GDA -----	1	
- 3	1E1140	SWITCH USED ON TWO BLADE INSTALLATION GDA -----	1	
	1E1324	SWITCH USED ON THREE BLADE INSTALLATION GDA -----	1	
	3E1540-1	TIMER GDA -----	1	
- 4	1213188-1	CUP -----	1	
- 5	4E1645	MOUNTING PLATE GDA -----	1	
- 6	4E1708	RING ASSEMBLY-SLIP GDA TWO BLADE -----	1	
	4E1706	RING ASSEMBLY-SLIP GDA THREE BLADE -----	1	
		210 SERIAL 21058937		
		& ON		
- 7	AN4-7A	BOLT -----	6	
	AN960C416L	WASHER -----	12	
	H10-4	NUT -----	6	
		T210 SERIAL T210-0308		
		& ON		
- 8	3E1271-2	CLIP ASSEMBLY-LEAD USED ON THREE BLADE INSTALLATION GDA -----	3	
	3E1271-2	CLIP ASSEMBLY-LEAD USED ON TWO BLADE INSTALLATION GDA -----	2	
		ATTACHING PARTS		
- 9	AN526C632R8	SCREW -----	2	
-10	AN960C6	WASHER -----	2	
-11	MS20365-632C	NUT -----	2	
		-----*		
-12	632X.75	SCREW-BRASS USED ON TWO BLADE INSTALLATION -----	6	
	632X.75	SCREW-BRASS USED ON THREE BLADE INSTALLATION -----	9	
-13	AN936A6	WASHER USED ON TWO BLADE INSTALLATION -----	18	
	AN936A6	WASHER USED ON THREE BLADE INSTALLATION -----	27	
-14	2E1260	BUSHING USED ON TWO BLADE INSTALLATION -----	12	
	2E1260	BUSHING USED ON THREE BLADE INSTALLATION -----	18	
-15	AN340B6	NUT USED ON TWO BLADE INSTALLATION -----	12	
	AN340B6	NUT USED ON THREE BLADE INSTALLATION -----	18	
-16	4E1214-3	DE-ICER-PROP USED ON TWO BLADE INSTALLATION GDA -----	2	
	4E1214-3	DE-ICER-PROP USED ON THREE BLADE INSTALLATION GDA -----	3	
-17	2E1290	RESTRAINER-STRAP USED ON THREE BLADE INSTALLATION GDA -----	3	
-18	2E1291	RESTRAINER-STRAP USED ON TWO BLADE INSTALLATION GDA -----	2	
	2E1291	RESTRAINER-STRAP USED ON THREE BLADE INSTALLATION GDA -----	3	
-19	2E1301	SPACER-RUBBER USED ON THREE BLADE INSTALLATION GDA -----	3	
-20	2E1303	SPACER-RUBBER USED ON TWO BLADE INSTALLATION GDA -----	2	
-21	4E1387-4	BRUSH BLOCK ASSEMBLY GDA -----	1	
		ATTACHING PARTS		
-22	AN526C832R28	SCREW -----	2	
	AN960C8	WASHER -----	4	
	1E1157	SHIM GDA -----	1	
	1250935-1	SPACER -----	1	
	NAS679A08	NUT -----	2	
		-----*		
-23	3E1531	MOUNTING BRACKET GDA -----	1	
		ATTACHING PARTS		
-24	AN5-26A	BOLT -----	2	
	1E1297	SPACER GDA -----	4	
		-----*		
-25	QS-200-M805	CLAMP GDA -----	2	
-26	MS21919-5	CLAMP -----	2	
		ATTACHING PARTS		
	S1021Z-8-8	SCREW -----	1	
		-----*		
-27	1250415-8	SPINNER DOME ASSY-TWO BLADED -----	1	
-28	1250419-6	SPINNER DOME ASSY-THREE BLADED -----	1	
-29	1201013-5	CABLE ASSEMBLY USED ON TWO BLADED PROP -----	1	
-30	1201013-6	CABLE ASSEMBLY USED ON THREE BLADED PROP -----	1	
		A---210 SERIAL 21058937 & ON T210 SERIAL T210-0308 & ON		



**210 SERIAL 21058819 THRU 21058936
T210 SERIAL T210-0198 THRU T210-0307**

Figure 127. Oxygen System Installation

FIGURE AND INDEX NO.	PART NUMBER	DESCRIPTION	UNITS PER ASSY	USABLE ON CODE
		1 2 3 4 5 6 7		
127 -		OXYGEN SYSTEM INSTALLATION -----	NP	J
- 1	1200536-1	COVER-LH ONLY -----	1	
- 2	AN515-6R6	ATTACHING PARTS 210 SERIAL 21058819 -----	2	
- 3	0813808-2	SCREW THRU 21058936 -----	1	
- 4	S102274-8	KNOB -----	1	
- 5	1200738-1	ATTACHING PARTS -----	1	
- 6	NAS697A06L	SCREW -----	1	
- 7	C700729-10	BRACKET ASSEMBLY-OXYGEN CONTROL & OUTLET LH -----	2	
- 8	1200738-3	NUTPLATE T210 SERIAL T210-0198 -----	1	
- 9	C700732-1	SUPPORT THRU T210-0307 -----	1	
-10	AN525-10R7	BRACKET-OXYGEN OUTLET RH -----	1	
-11	AN960-10	LEVER -----	1	
-12	NAS679A3	ATTACHING PARTS -----	1	
-13	S1398-1	SCREW -----	1	
-14	S1398-2	WASHER -----	1	
-15	0450311-5	NUT -----	1	
-16	AN960-10	WIRE-PUSH PULL CONTROL 124.0 IN LG BULK ITEM -----	1	
-17	NAS679A3	REF S1398-1-124.0 -----		
-18	AN742D3	CASING-PUSH PULL CONTROL 119.0 IN LG BULK ITEM -----	1	
-19	AN515-8R8	REF S1398-2-119.0 -----		
-20	NAS679A08	ATTACHING PARTS -----		
-21	MS21919DG3	CLAMP -----	1	AR
-22	AN520-10R10	WASHER -----	1	
-23	NAS679A3	NUT -----	1	
-24	S1155-3	CLAMP -----	1	
-25	S1021Z6-6	SCREW -----	3	
-26	AN960-8L	WASHER -----	3	
-27	AN742D3	CLAMP -----	1	
-28	AN515-8R8	SCREW -----	1	
-29	AN960-8L	WASHER -----	1	
-30	NAS679A08	NUT -----	1	
-31	1200416-4	CLAMP -----	1	
-32	AN520C5-4	SCREW -----	1	
-33	NAS557-4A	-----		
-34	MS35489-7	GROMMET -----	3	
-35	S1399-1	GROMMET -----	1	
-36	AN932D4	SLEEVE-*IN LG BULK ITEM REF S1399-1-* -----	4	
-37	C166006-0101	PLUG -----	4	
-38	Z651-1	VALVE OUTLET ASSEMBLY-OXYGEN -----	6	
-39	Z651-3	COVER ASSEMBLY ZEPA -----	1	
-40	Z651-13	LOCK RING ZEPA -----	1	
-41	Z687-1	NUT-JAMB ZEPA -----	2	
-42	Z687-2	CORE ZEPA -----	1	
-43	Z687-3	POPPET ZEPA -----	1	
-44	1200415-7	SPRING ZEPA -----	1	
-45	AN821-4D	ESCUTCHEON -----	5	
-46	1200417-33	ELBOW -----	4	
-47	S1591-2A	LINE ASSEMBLY -----	1	
-48	MS20826-4D	BAND-WIRE HARNESS -----	6	
-49	1200417-34	TEE -----	3	
-50	AN833-4D	LINE ASSEMBLY -----	1	
-51	AN924-4D	ELBOW -----	2	
-52	1200417-35	NUT -----	2	
-53	1200417-32	LINE ASSEMBLY -----	1	
-54	1200757-3	LINE ASSEMBLY -----	1	
-55	1200757-4	BRACKET-LH -----	1	
-56	1200417-30	BRACKET-RH -----	1	
-57	1200417-31	LINE ASSEMBLY -----	1	
-58	1200757-1	LINE ASSEMBLY -----	1	
-59	1200757-2	BRACKET-LH -----	1	
-60		BRACKET-RH -----	1	

CONTINUED ON NEXT PAGE

FIGURE AND INDEX NO.	PART NUMBER	DESCRIPTION	1 2 3 4 5 6 7							UNITS PER ASSY	USABLE ON CODE
127 -49	120C417-36	LINE ASSEMBLY -----								1	
	AN816-4D	NIPPLE -----								1	
-50	1200417-29	LINE ASSEMBLY -----								1	
	1200417-37	LINE ASSEMBLY -----								1	
-51	MS21919DG4	CLAMP -----								2	B
		ATTACHING PARTS									
	S1021Z6-6	SCREW -----								1	
	NAS446-2-3	NUT -----								1	
		---*---									
-52		DELETED NEVER USED -----									
-53		DELETED NEVER USED -----									
-54	MS35489-7	GROMMET -----								3	
-55	1200417-28	LINE ASSEMBLY -----								1	
-56	C8CC045-11	NIPPLE -----								1	
-57	C166C01-0106	CYLINDER & REGULATOR ASSEMBLY-OXYGEN -----								1	C
	C166001-0501	CYLINDER & REGULATOR ASSEMBLY-OXYGEN -----								1	E
	C166001-0201	CYLINDER & REGULATOR ASSEMBLY-OXYGEN -----								1	D
	C166C01-0207	CYLINDER & REGULATOR ASSEMBLY-OXYGEN -----								1	F
-58	C166002-0101	REGULATOR ASSEMBLY -----								1	
-59	C166002-0104	RELIEF VALVE-LOW PRESSURE -----								1	
-60	AN932S2	PLUG-PIPE -----								AR	
-61	C166002-0103	RELIEF VALVE-HIGH PRESSURE -----								1	
-62	C8CC045-11	NIPPLE -----								2	
-62A	ZF604	ADAPTOR -----								1	G
-63	120C415-5	CLAMP -----								1	H
		ATTACHING PARTS									
-64	AN520-10R10	SCREW -----								1	
	NAS679A3	NUT -----								1	
		---*---									
-65	S1664-1	CLAMP -----								2	B
	S1664-2	CLAMP -----								1	A
-66	120C428-1	SUPPORT ASSEMBLY-OXYGEN CYLINDER -----								2	
		ATTACHING PARTS									
	AN3-5A	BOLT -----								2	
	AN960-10	WASHER -----								2	
	NAS679A3	NUT -----								2	
		---*---									
-67	120C405-7	SUPPORT-OXYGEN CYLINDER LH -----								1	
-68	120C405-8	SUPPORT-OXYGEN CYLINDER RH -----								1	
		ATTACHING PARTS									
	AN3-5A	BOLT -----								3	
	AN960-10	WASHER -----								3	
	NAS679A3	NUT -----								3	
		---*---									
-69	120C405-5	SUPPORT-OXYGEN CYLINDER LH -----								1	
	120C405-6	SUPPORT-OXYGEN CYLINDER RH -----								1	
-70	120C405-3	SUPPORT-OXYGEN CYLINDER LH -----								1	
-71	120C405-4	SUPPORT-OXYGEN CYLINDER RH -----								1	
-72	C166010-0105	LINE ASSEMBLY-OXYGEN PRESSURE -----								1	
		ATTACHING PARTS									
-73	S1155-2	CLAMP -----								2	
	AN515-8R8	SCREW -----								2	
	AN960-8L	WASHER -----								2	
	NAS679A08	NUT -----								2	
		---*---									
	C166010-0101	GAGE ASSEMBLY-OXYGEN PRESSURE -----								1	
-74	C166010-0102	GAGE -----								1	
-75	C166010-0103	BEZEL -----								1	
-76	S1529-1	ELBOW -----								1	
-77	AN515-6R5	SCREW -----								1	
-78	C700735-2	SUPPORT-GAGE -----								1	
-79	C8CC045-44	LINE ASSEMBLY-OXYGEN -----								1	
-79A	S1723-5	LINE ASSEMBLY-OXYGEN -----								1	G
-79B	S1724-1	TEE -----								1	H
-79C	S1721-12	LINE ASSEMBLY-OXYGEN -----								1	E
	S1721-16	LINE ASSEMBLY-OXYGEN -----								1	F
-80	C166008-0101	VALVE ASSEMBLY-OXYGEN FILLER -----								1	
		ATTACHING PARTS									
-81	S1021Z4-6	SCREW -----								1	
-82	AN515-8R8	SCREW -----								3	
	NAS679A08	NUT -----								3	
-83	12CC054-2	RETAINER -----								1	
		---*---									
	S1520-1	CAP & CHAIN ASSEMBLY -----								1	

CONTINUED ON NEXT PAGE

FIGURE AND INDEX NO.	PART NUMBER	DESCRIPTION	UNITS PER ASSY	USABLE ON CODE
		1 2 3 4 5 6 7		
127 -84	2-15	O RING PKSC -----	1	
-85	2-11	O RING PKSC -----	1	
	C166005-0501	MASK & LINE ASSEMBLY-PASSENGER WHEN EXHAUSTED ----- USE C166005-0204	5	A
	C166005-0204	MASK & LINE ASSEMBLY-PASSENGER -----	5	A
	C166005-0502	MASK & LINE ASSEMBLY-PASSENGER WHEN EXHAUSTED ----- USE C166005-0202	5	B
	C166005-0202	MASK & LINE ASSEMBLY-PASSENGER -----	5	B
-86	C166009-0501	MASK ASSEMBLY -----	1	
	C166005-0504	LINE & FITTING ASSEMBLY-PASSENGER 8,000-14,000 FT -----	1	A
	C166005-0505	LINE & FITTING ASSEMBLY-PASSENGER 14,000-22,000 FT -----	1	B
-87	ZH716	HOSE ASSEMBLY ZEPA -----	1	
-88	ZH727-8	LINE & FITTING ASSEMBLY-8,000-14,000 FT ZEPA -----	1	A
	ZH727-14	LINE & FITTING ASSEMBLY-14,000-22,000 FT ZEPA -----	1	B
	C166005-0402	MASK & LINE ASSEMBLY-PILOT WITH MICROPHONE -----	1	A
	C166005-0401	MASK & LINE ASSEMBLY-PILOT WITH MICROPHONE -----	1	B
-89	C166009-0401	MASK ASSEMBLY -----	1	
-90	ANB-MC1	MICROPHONE -----	1	
-91	Z736	NUT ZEPA -----	1	
	C166005-0505	LINE & FITTING ASSEMBLY 14,000-22,000 FT -----	1	A
	C166005-0506	LINE & FITTING ASSEMBLY 22,000-33,000 FT -----	1	B
-92	ZH727-14	LINE & FITTING ASSEMBLY-14,000-22,000 FT ZEPA -----	1	A
	ZH727-22	LINE & FITTING ASSEMBLY-22,000-33,000 FT ZEPA -----	1	B
-93	Z340-3	FLOW INDICATOR ZEPA -----	1	
-94	Z730-7	CLAMP ZEPA -----	1	
-95	ZH716	HOSE ASSEMBLY ZEPA -----	1	
	08CC030-35	CASE-OXYGEN MASKS NOT ILLUSTRATED -----	1	
NOTE. *LENGTH TO BE DETERMINED LATER				
NOTE. □THIS PART NUMBER MUST HAVE A SECOND DASH NUMBER ADDED TO DENOTE COLOR. REFER TO HOW TO ORDER INTERIOR PARTS-PAGE VI.				
A---210 SERIAL 21058819 THRU 21058936				
B---T210 SERIAL T210-0198 THRU T210-0307				
C---210 SERIAL 21058819 THRU 21058885				
D---T210 SERIAL T210-0198 THRU T210-0271				
E---210 SERIAL 21058886 THRU 21058936				
F---T210 SERIAL T210-0272 THRU T210-0307				
G---210 SERIAL 21058819 THRU 21058885				
T210 SERIAL T210-0198 THRU T210-0271				
H---210 SERIAL 21058886 THRU 21058936				
T210 SERIAL T210-0272 THRU T210-0307				
J---210 SERIAL 21058819 THRU 21058936				
T210 SERIAL T210-0198 THRU T210-0307				

Oxygen System (Cont)

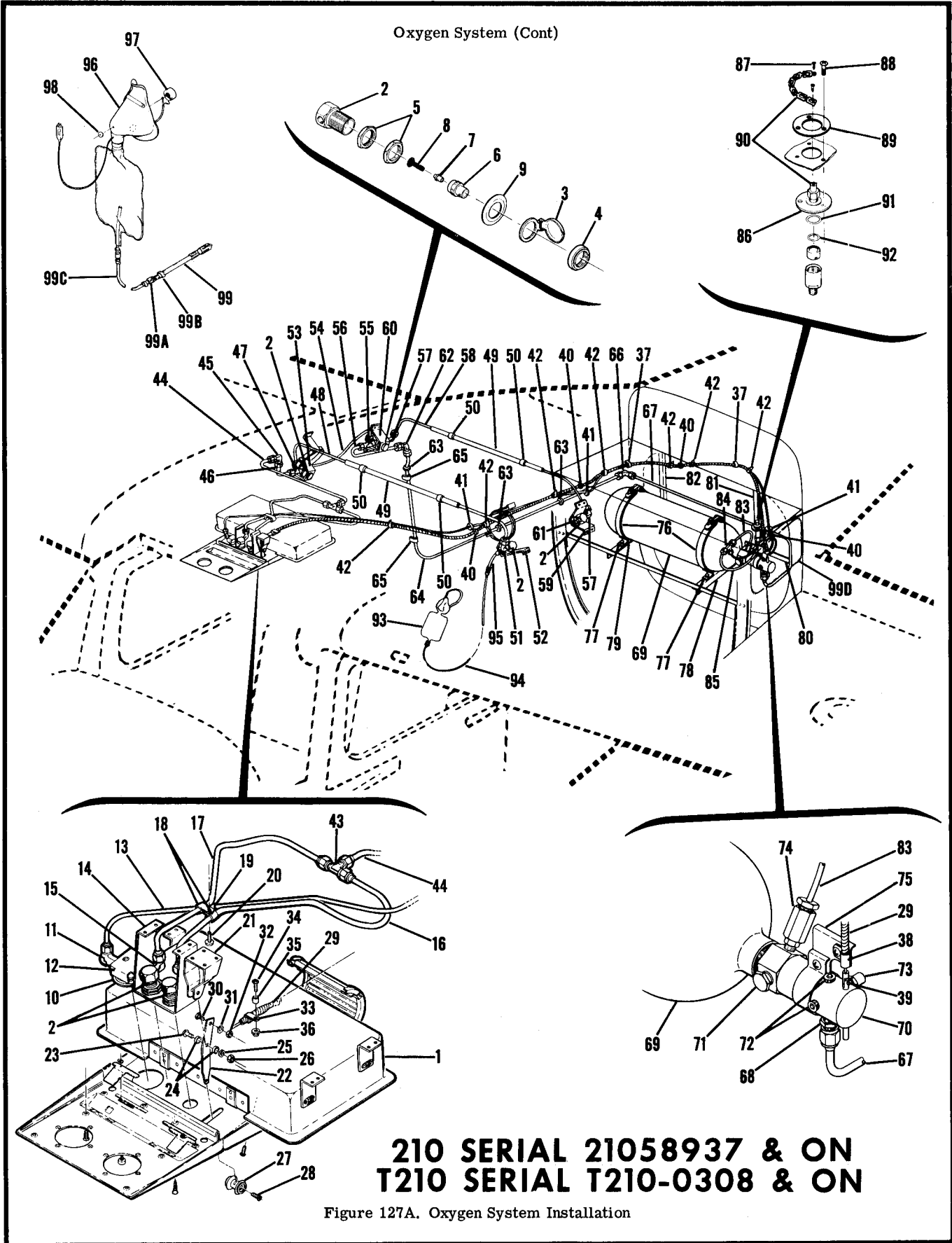


FIGURE AND INDEX NO.	PART NUMBER	DESCRIPTION	UNITS PER ASSY							USABLE ON CODE	
			1	2	3	4	5	6	7		
127A-		OXYGEN SYSTEM INSTALLATION -----								1	A
- 1	SEE FIG 129A	INSTRUMENT PANEL LIGHT & OXYGEN CONSOLE INSTALLATION -----								1	D
	SEE FIG 129B	INSTRUMENT PANEL LIGHT & OXYGEN CONSOLE INSTALLATION -----								1	E
- 2	C166006-0101	VALVE OUTLET ASSEMBLY-OXYGEN -----								6	
- 3	Z651-1	COVER ASSEMBLY ZEPA -----								1	
- 4	Z651-3	LOCK RING ZEPA -----								1	
- 5	Z651-13	NUT-JAMB ZEPA -----								2	
- 6	Z687-1	CORE ZEPA -----								1	
- 7	Z687-2	POPPET ZEPA -----								1	
- 8	Z687-3	SPRING ZEPA -----								1	
- 9	1200415-7	ESCUTCHEON -----								4	
-10	C166010-0101	GAGE ASSEMBLY-OXYGEN PRESSURE -----								1	
	AN515-6R5	ATTACHING PARTS -----								1	
	C166010-0102	SCREW -----								1	
	C166010-0103	GAGE -----								1	
-11	S1529-1	BEZEL -----								1	
-12	1211048-1	ELBOW -----								1	
-13	S1722-140	SUPPORT-GAGE -----								1	
-14	1211047-1	LINE ASSEMBLY-PRESSURE GAGE -----								1	
	1211047-2	BRACKET-OXYGEN OUTLET SUPPORT WHEN EXHAUSTED USE 1211047-2 -----								1	D
-15	AN821-4D	BRACKET-OXYGEN OUTLET SUPPORT -----								1	E
-16	1200417-43	ELBOW -----								2	
-17	1200417-42	LINE ASSEMBLY-LH -----								1	
-18	S1155-4	LINE ASSEMBLY-RH -----								1	
-19	S1155-2	CLAMP -----								2	
		CLAMP -----								1	
		ATTACHING PARTS -----								1	
-20	AN515-8R10	SCREW -----								1	
-21	1211018-1	BRACKET-OXYGEN CONTROL LEVER -----								1	
-22	1211017-1	LEVER -----								1	
		ATTACHING PARTS -----								1	
-23	AN525-10R7	SCREW -----								1	
-24	NAS43DD3-7	SPACER -----								2	
-25	AN960-10	WASHER -----								1	
-26	NAS679A3	NUT -----								1	
		-----*									
-27	1211016-1	KNCB -----								1	
-28	AN507DD440R8	SCREW -----								1	
-29	S1489-4	CONTROL ASSEMBLY -----								1	
		ATTACHING PARTS -----								1	
-30	C450311-5	CLAMP -----								1	
-31	AN960-10	WASHER -----								AR	
-32	NAS679A3	NUT -----								1	
-33	AN742D3	CLAMP -----								1	
-34	AN515-832R10	SCREW -----								1	
-35	NAS43DD3-21	SPACER -----								1	
-36	NAS679A08	NUT -----								1	
-37	S1155-3	CLAMP -----								2	
	S102176-6	SCREW -----								2	
	AN960-8L	WASHER -----								2	
-38	AN742D4	CLAMP -----								1	
	AN515-8R8	SCREW -----								1	
	AN960-8L	WASHER -----								1	
	NAS679A08	NUT -----								1	
-39	MS24665-132	PIN-COTTER -----								1	
		-----*									
-40	NAS557-6A	GROMMET -----								4	
-41	MS35489-2	GROMMET -----								3	
-42	S1693-1	STRAP -----								7	
-43	AN824-4D	TEE -----								1	
-44	1200417-44	LINE ASSEMBLY -----								1	
-45	AN833-4D	ELBOW -----								1	
	AN924-4D	NUT -----								1	
-46	1200417-35	LINE ASSEMBLY -----								1	
-47	MS20826-4D	TEE -----								1	
-48	1200417-32	LINE ASSEMBLY -----								1	
-49	S1399-1*	SLEEVE-* IN LG BULK ITEM REF S1399-1-* -----								2	
-50	S1591-2A	BAND-WIRE HARNESS -----								4	
-51	AN821-4D	ELBOW -----								1	

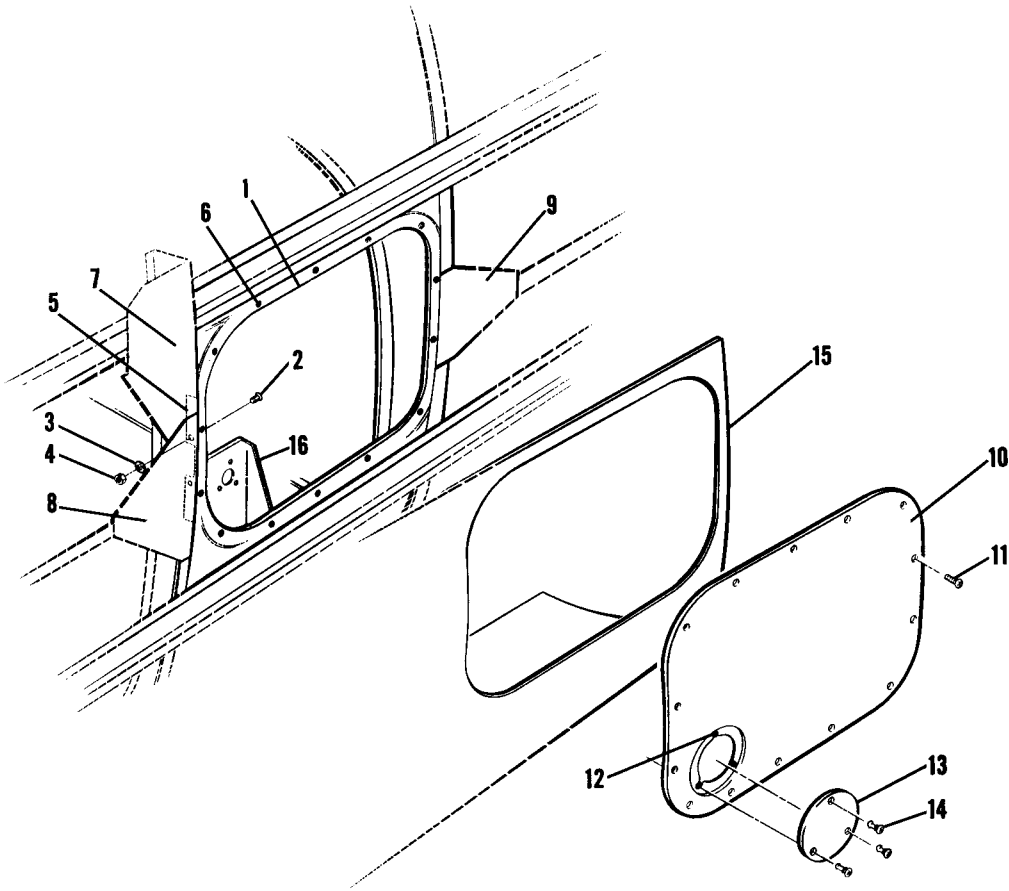
CONTINUED ON NEXT PAGE

FIGURE AND INDEX NO.	PART NUMBER	DESCRIPTION	UNITS PER ASSY	USABLE ON CODE
				1 2 3 4 5 6 7
127A-52	12C0757-3	BRACKET-LH -----	1	
-53	12C0757-4	BRACKET-RH -----	1	
-54	12C0417-30	LINE ASSEMBLY -----	1	
-55	MS20826-4D	TEE -----	1	
-56	12C0417-36	LINE ASSEMBLY -----	1	
-57	AN821-4D	ELBOW -----	2	
-58	12C0417-31	LINE ASSEMBLY -----	1	
-59	12C0757-1	BRACKET-LH -----	1	
-60	12C0757-2	BRACKET-RH -----	1	
-61	AN932D2	PLUG-PIPE -----	2	
-62	AN833-4D	ELBOW -----	1	
	AN924-4D	NUT -----	1	
-63	MS35489-7	GRGMMET -----	3	
-64	12C0417-29	LINE ASSEMBLY -----	1	B
	12C0417-37	LINE ASSEMBLY -----	1	C
-65	MS21919DG4	CLAMP -----	2	
		ATTACHING PARTS		
	S1021Z6-6	SCREW -----	1	
	NAS446-2-3	NUT -----	1	
		-----*		
-66	AN821-4D	ELBOW -----	1	
-67	12C0417-28	LINE ASSEMBLY -----	1	
-68	C8CC045-11	NIPPLE -----	1	
-69	C166001-0501	CYLINDER & REGULATOR ASSEMBLY-OXYGEN -----	1	B
	C166001-0207	CYLINDER & REGULATOR ASSEMBLY-OXYGEN -----	2	C
-70	C166002-0101	REGULATOR ASSEMBLY -----	1	
-71	C166002-0103	RELIEF VALVE-HIGH PRESSURE -----	1	
-72	AN932S2	PLUG-PIPE -----	3	
-73	C166002-0104	RELIEF VALVE-LOW PRESSURE -----	1	
-74	ZF604	ADAPTOR ZEPA -----	1	
-75	12C0415-5	CLAMP -----	1	
		ATTACHING PARTS		
	AN520-10R10	SCREW -----	1	
	NAS679A3	NUT -----	1	
		-----*		
-76	S1664-2	CLAMP -----	2	B
	S1664-1	CLAMP -----	2	C
-77	12C0428-1	SUPPORT ASSEMBLY-OXYGEN CYLINDER -----	2	
		ATTACHING PARTS		
	AN3-5A	BOLT -----	2	
	AN960-10	WASHER -----	2	
	NAS679A3	NUT -----	2	
		-----*		
-78	12C0405-7	SUPPORT-OXYGEN CYLINDER LH -----	1	
-79	12C0405-8	SUPPORT-OXYGEN CYLINDER RH -----	1	
		ATTACHING PARTS		
	AN3-5A	BOLT -----	2	
	AN960-10	WASHER -----	2	
	NAS679A3	NUT -----	2	
		-----*		
-80	12C0405-5	SUPPORT-OXYGEN CYLINDER LH -----	1	
	12C0405-6	SUPPORT-OXYGEN CYLINDER RH -----	1	
-81	12C0405-9	SUPPORT-OXYGEN CYLINDER LH -----	1	
-82	12C0405-10	SUPPORT-OXYGEN CYLINDER RH -----	1	
		ATTACHING PARTS		
	AN3-5A	BOLT -----	1	
	AN960-10	WASHER -----	1	
	NAS679A3	NUT -----	1	
		-----*		
-83	S1723-5	LINE ASSEMBLY -----	1	
-84	S1724-1	TEE -----	1	
-85	S1721-12	LINE ASSEMBLY -----	1	B
	S1721-16	LINE ASSEMBLY -----	1	C
-86	C166008-0101	VALVE ASSEMBLY-OXYGEN FILLER -----	1	
		ATTACHING PARTS		
	S1021Z4-6	SCREW -----	1	
-87	S1021Z4-6	SCREW -----	3	
-88	AN515-8R8	NUT -----	3	
	NAS679A08	RETAINER -----	1	D
-89	12C0054-2	-----*		

CONTINUED ON NEXT PAGE

FIGURE AND INDEX NO.	PART NUMBER	DESCRIPTION	UNITS PER ASSY	USABLE ON CODE
		1 2 3 4 5 6 7		
127A-90	S1520-1	CAP & CHAIN ASSEMBLY -----	1	
-91	2-15	O RING PKSC -----	1	
-92	2-11	O RING PKSC -----	1	
	C166005-0204	MASK & LINE ASSEMBLY-PASSENGER -----	5	B
	C166005-0202	MASK & LINE ASSEMBLY-PASSENGER -----	5	C
-93	C166009-0501	MASK ASSEMBLY -----	1	
	C166005-0504	LINE & FITTING ASSEMBLY-PASSENGER 8,000-14,000 FT -----	1	B
	C166005-0505	LINE & FITTING ASSEMBLY-PASSENGER 14,000-22,000 FT -----	1	C
-94	ZH716	HOSE ASSEMBLY ZEPA -----	1	
-95	ZH727-8	LINE & FITTING ASSEMBLY-8,000-14,000 FT ZEPA -----	1	B
	ZH727-14	LINE & FITTING ASSEMBLY-14,000-22,000 FT ZEPA -----	1	B
	C166005-0402	MASK & LINE ASSEMBLY-PILOT WITH MICROPHONE -----	1	B
	C166005-0401	MASK & LINE ASSEMBLY-PILOT WITH MICROPHONE -----	1	C
-96	C166009-0401	MASK ASSEMBLY -----	1	
-97	ANB-MC1	MICROPHONE -----	1	
-98	Z736	NUT ZEPA -----	1	
	C166005-0505	LINE & FITTING ASSEMBLY 14,000-22,000 FT -----	1	B
	C166005-0506	LINE & FITTING ASSEMBLY 22,000-33,000 FT -----	1	C
-99	ZH727-14	LINE & FITTING ASSEMBLY-14,000-22,000 FT ZEPA -----	1	B
	ZH727-22	LINE & FITTING ASSEMBLY-22,000-33,000 FT ZEPA -----	1	C
-99A	Z340-3	FLOW INDICATOR ZEPA -----	1	
-99B	Z730-7	CLAMP ZEPA -----	1	
-99C	ZH716	HOSE ASSEMBLY ZEPA -----	1	
-99D	SEE FIG 127B	DOOR INSTALLATION-OXYGEN BOTTLE ACCESS -----	1	E
<p>NOTE. *LENGTH TO BE DETERMINED LATER</p> <p>A---210 SERIAL 21058937 & ON T210 SERIAL T210-0308 & ON</p> <p>B---210 SERIAL 21058937 & ON</p> <p>C---T210 SERIAL T210-0308 & ON</p> <p>D---210 SERIAL 21058937 THRU 21059061 T210 SERIAL T210-0308 THRU T210-0392</p> <p>E---210 SERIAL 21059062 & ON T210 SERIAL T210-0393 & ON</p>				

Oxygen System (Cont)



**210 SERIAL 21059062 & ON
T210 SERIAL T210-0393 & ON**

Figure 127B. Oxygen Bottle Access Door Installation



FIGURE AND INDEX NO.	PART NUMBER	DESCRIPTION	UNITS PER ASSY	USABLE ON CODE
127B-		1 2 3 4 5 6 7 OXYGEN BOTTLE ACCESS DOOR INSTALLATION ----- FRAME ASSEMBLY-ACCESS COOR ----- ATTACHING PARTS ----- SCREW --- WASHER -- 210 SERIAL 21059062 & ON --- NUT ----- -----*----- REINFORCEMENT - ----- NUTPLATE ----- T210 SERIAL T210-0393 ----- GUSSET ----- GUSSET ----- & ON ----- GUSSET ----- DOOR ASSEMBLY-ACCESS ----- ATTACHING PARTS ----- SCREW ----- -----*----- RECEPTACLE ----- DOOR ASSEMBLY-ACCESS ----- STUD ----- RING ----- SKIN-LOWER AFT-LH STA. 90.00 TO 138.00 ----- BRACKET ASSEMBLY-OXYGEN FILLER VALVE -----	NP 1	A
- 1	1212104-1		1	
- 2	AN515-8R8		2	
- 3	AN960-8L		2	
- 4	NAS679A08		2	
- 5	1212106-1		1	
- 6	NAS68CA08		14	
- 7	1211732-3		1	
- 8	1212103-2		1	
- 9	1212103-1		1	
-10	1212101-1		1	
-11	AN525-8R7		14	
-12	S1115-19		3	
-13	1212102-1		1	
-14	S1115-30		3	
-15	S1115-9		3	
-16	1212100-2		1	
	1212105-1		1	
		A---210 SERIAL 21059062 & ON T210 SERIAL T210-0393 & ON		

Electrical Equipment

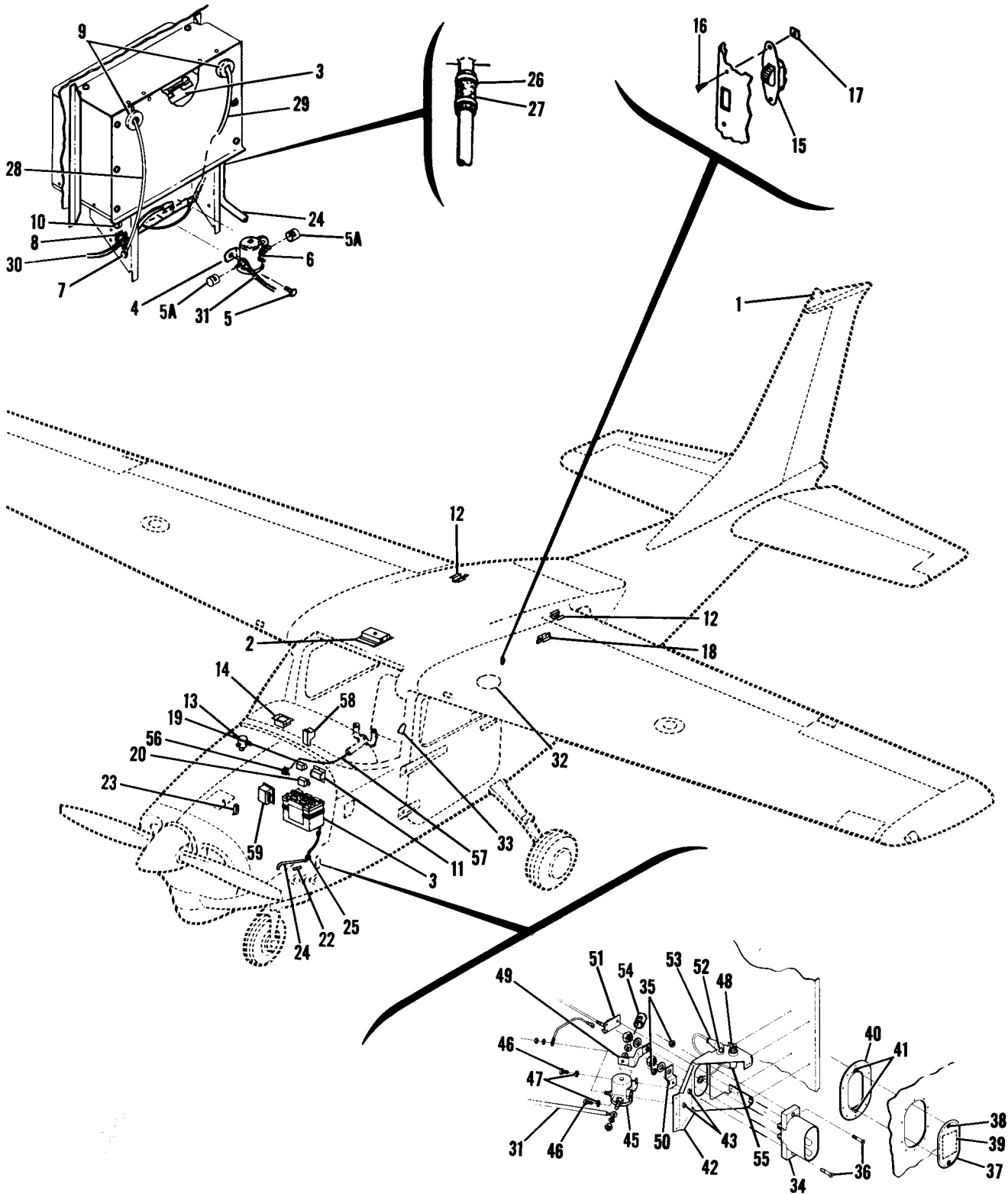


Figure 128. Electrical Equipment Installation

FIGURE AND INDEX NO.	PART NUMBER	DESCRIPTION	UNITS PER ASSY	USABLE ON CODE
		1 2 3 4 5 6 7		
128 -		ELECTRICAL EQUIPMENT INSTALLATION -----	NP	
- 1	SEE FIG 132	FLASHING BEACON INSTALLATION -----	1	
- 2	SEE FIG 129	INSTRUMENT PANEL LIGHTS INSTALLATION -----	1	
- 3	0712605-201 *	BATTERY KIT -----	1	
- 4	S1579-1	CONTACTOR ASSEMBLY-BATTERY -----	1	
		ATTACHING PARTS -----		
- 5	AN3-3A	BOLT -----	2	
		-----*		
- 5A	S1807-2	COVER-TERMINAL -----	2	
		ATTACHING PARTS -----		
	S1693-2	STA-STRAP -----	2	
		-----*		
- 6	0770728-1	DIODE ASSEMBLY -----	1	
- 7	AN4-4A	BOLT -----	1	
	AN960-416	WASHER -----	1	
	NAS679A4	NUT -----	1	
- 8	S1050-1-3.10	GROMMET -----	1	
- 9	MS35489-135	GROMMET -----	2	
- 10	S1090-22	FUSEHOLDER -----	1	
	S1090-23	CAP-1 AMP -----	1	
	S1091-1	FUSE-CLOCK 1 AMP -----	1	
- 11	C611001-0101	REGULATOR-VOLTAGE -----	1	
		ATTACHING PARTS -----		
	AN520-416R8	SCREW -----	2	
		-----*		
	1250211-4	PLUG ASSEMBLY-VOLTAGE REGULATOR -----	1	
- 12	181522	LIGHT ASSEMBLY-DCME UCTE -----	2	
	90	BULB GE -----	1	
	0700629-1	RETAINER-HEADLINER UCTE -----	2	
		ATTACHING PARTS -----		
	S1022A4-6	SCREW -----	4	
		-----*		
- 13	S1673-1	CONTACTOR-STARTER -----	1	
		ATTACHING PARTS -----		
	AN3-4A	BOLT -----	2	
	NAS679A3	NUT -----	2	
		-----*		
	S1807-2	COVER-TERMINAL RH STARTER CONTACTOR -----	1	
	S1807-1	COVER-TERMINAL LH STARTER CONTACTOR -----	1	
		ATTACHING PARTS -----		
	S1693-2	STA-STRAP -----	1	
		-----*		
- 14	1213242-1	WARNING UNIT-DUAL STALL -----	1	
		ATTACHING PARTS -----		
	AN515-8R6	SCREW -----	4	
	NAS679A08	NUT -----	4	
		-----*		
- 15	0713029	SWITCH-DOME LIGHT -----	1	
		ATTACHING PARTS -----		
- 16	S1021Z6-8	SCREW -----	2	
- 17	NAS446-2-3	NUT -----	2	
		-----*		
- 18	E13-00M	SWITCH CRYE BAGGAGE DCOR-FLAP CIRCUIT INTERRUPT -----	1	
		ATTACHING PARTS -----		
	AN507-632R16	SCREW -----	2	
	NAS679A06	NUT -----	2	
		-----*		
- 19	0770038-2	FILTER-NOISE -----	1	
		ATTACHING PARTS -----		
	AN515-8R8	SCREW -----	2	
		-----*		
- 20	S1629-1	FILTER-NOISE -----	1	
		ATTACHING PARTS -----		
	AN515-8R8	SCREW -----	2	
		-----*		
- 21	MCR-20-2	DELETED NOT PROCURABLE -----		
- 22		RESISTOR TRAT -----	1	
		ATTACHING PARTS -----		
	AN515-4R7	SCREW -----	2	
		-----*		
- 23	1250706-1	LIMIT SWITCH ASSEMBLY-THROTTLE MOUNTED ON AIRBOX -----	1	
		ATTACHING PARTS -----		
	AN515-6R8	SCREW -----	2	
	NAS679A06	NUT -----	2	
		-----*		
	USM5B	SWITCH UMX -----	1	
	AAM20	ACTUATOR UMX -----	1	

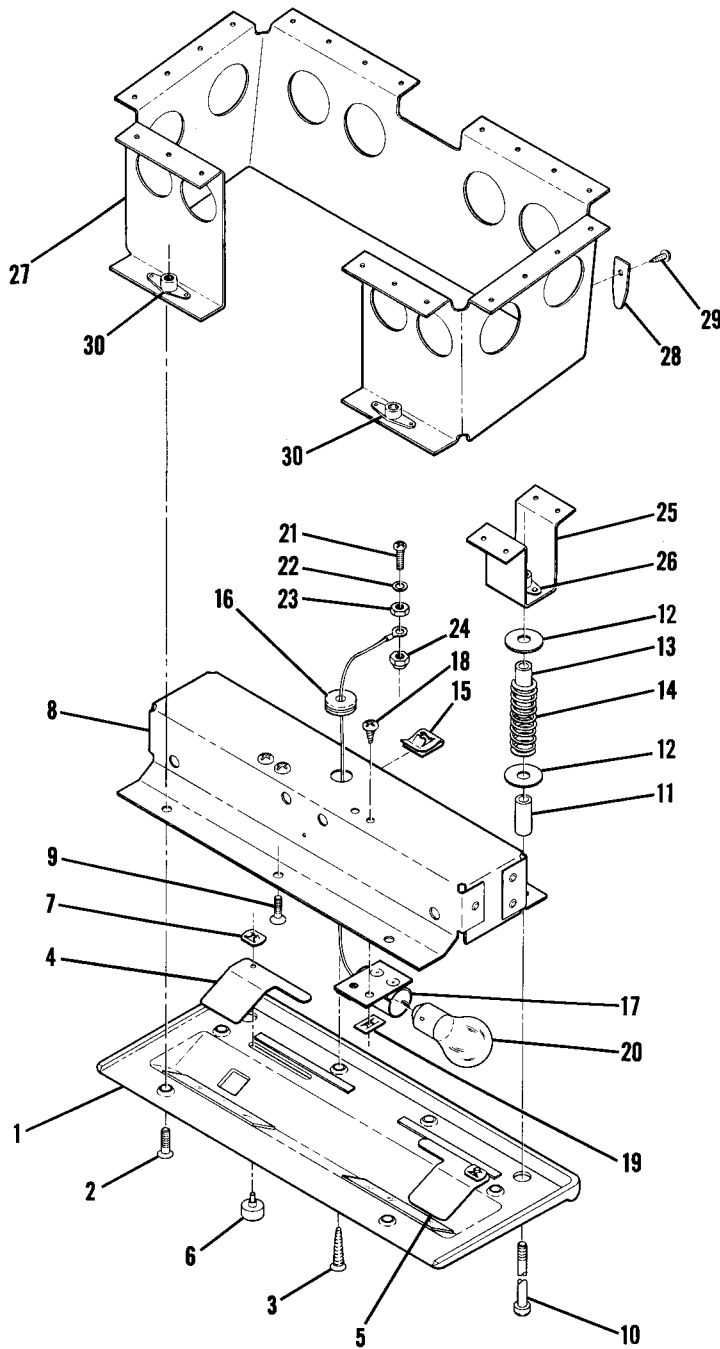
CONTINUED ON NEXT PAGE

FIGURE AND INDEX NO.	PART NUMBER	DESCRIPTION	UNITS PER ASSY	USABLE ON CODE
128 -24	12CC106-132	LINE ASSEMBLY-BATTERY DRAIN ----- ATTACHING PARTS -----	1	
-25	MS21919DG6	CLAMP -----	2	
	S1021Z8-6	SCREW -----	2	
-26	NAS397-10	CLAMP ----- -----*	2	
-27	S1495-6	HOSE-2.00 IN LG BULK ITEM REF S1495-6-2.00 -----	1	
-28	1270625PA1	CABLE-BATTERY GROUND -----	1	
-29	1270625PA16	CABLE-BATTERY BATTERY TO CONTACTOR -----	1	
-30	1270625PA15	CABLE-CONTACTOR TO CONTACTOR -----	1	
-31	1270625PA18	CABLE-CONTACTOR TO GROUND SERVICE PLUG -----	1	
	1270625PA12	CABLE-CONTACTOR TO STARTER -----	1	
-32	SEE FIG 131	COURTESY LIGHT INSTALLATION -----	1	
-33	SEE FIG 134	MAP LIGHT INSTALLATION -----	1	
	SEE FIG 130	ALTERNATOR INSTALLATION -----	1	
	SEE FIG 59	SWITCH PANEL SWITCHES & CIRCUIT BREAKERS -----	1	
	SEE FIG 60	INSTRUMENTS PANEL POST LIGHTING -----	1	
	SEE FIG 100	FLAP MOTOR-ELECTRIC -----	1	
-34	AN2552-3A	RECEPTACLE INSTALLATION-GROUND SERVICE PLUG ----- RECEPTACLE -----	NP 1	
		ATTACHING PARTS -----		
-35	NAS679A3	NUT -----	2	
-36	A509-10R14	SCREW ----- -----*	2	
-37	C752611-1	DOOR ASSEMBLY -----	1	
-38	S1115-10	STUD -----	2	
	S1115-9	RING -----	2	
-39	1213535-1	PLACARD -----	1	B
	12C5024-1	PLACARD -----	1	C
-40	C752610-1	DOUBLER ASSEMBLY -----	1	
-41	S1115-9	RECEPTACLE -----	2	
-42	1270656-1	SUPPORT ASSEMBLY -----	1	
-43	NAS697A4	NUTPLATE -----	2	
-44		DELETED NEVER USED -----		
-45	S1660-1	CONTACTOR ----- ATTACHING PARTS -----	1	
-46	AN520-416R8	SCREW -----	2	
-47	AN960-416L	WASHER ----- -----*	2	
-48	S1090-2	FUSEHOLDER ASSEMBLY -----	1	
	S1090-11	CAP -----	1	
	S1091-5	FUSE -----	1	
-49	1270653-1	STRAP-BUS BAR -----	1	
-50	C312155-10	STRAP-GROUND -----	1	
-51	157C043-3	BOARD-DIODE -----	1	
-52	20H3P	DIODE SATA -----	1	
-53	S1488-1	NIPPLE -----	1	
-54	S1807-1	COVER-TERMINAL ----- ATTACHING PARTS -----	1	
	S1693-2	STA-STRAP ----- -----*	1	
-55	X26263	RESISTOR TRTA -----	1	
-56	8-171	BLOCK-TERMINAL CONTROL WHEEL MAP LIGHT ----- ATTACHING PARTS -----	1	A
	AN515-4R6	SCREW -----	2	
	AN936A4	WASHER -----	2	
	AN340-4	NUT ----- -----*	2	
-57	12C5006-1	PLACARD-TERMINAL IDENTIFICATION -----	1	A
	SF1030-26BX	CABLE-SPECTASTRIP ----- ATTACHING PARTS -----	1	A
	S1693-1	STA-STRAP -----	1	
	S1693-2	STA-STRAP ----- -----*	1	
-58	C613001-0201	POWER SUPPLY-ELECTROLUMINESCENT PANEL ----- ATTACHING PARTS -----	1	C
	AN520-10R8	SCREW -----	2	
	AN960-10	WASHER -----	2	
	NAS679A3	NUT ----- -----*	2	
-59	1213242-1	DUAL WARNING-STALL & GEAR DOWN -----	1	C

A---210 SERIAL 21058937 & ON
T210 SERIAL T210-0308 & ON
B---210 SERIAL 21058819 THRU 21059061
T210 SERIAL T210-0198 THRU T210-0392
C---210 SERIAL 21059062 & ON
T210 SERIAL T210-0393 & ON

This page intentionally left blank.

Electrical Equipment (Cont)



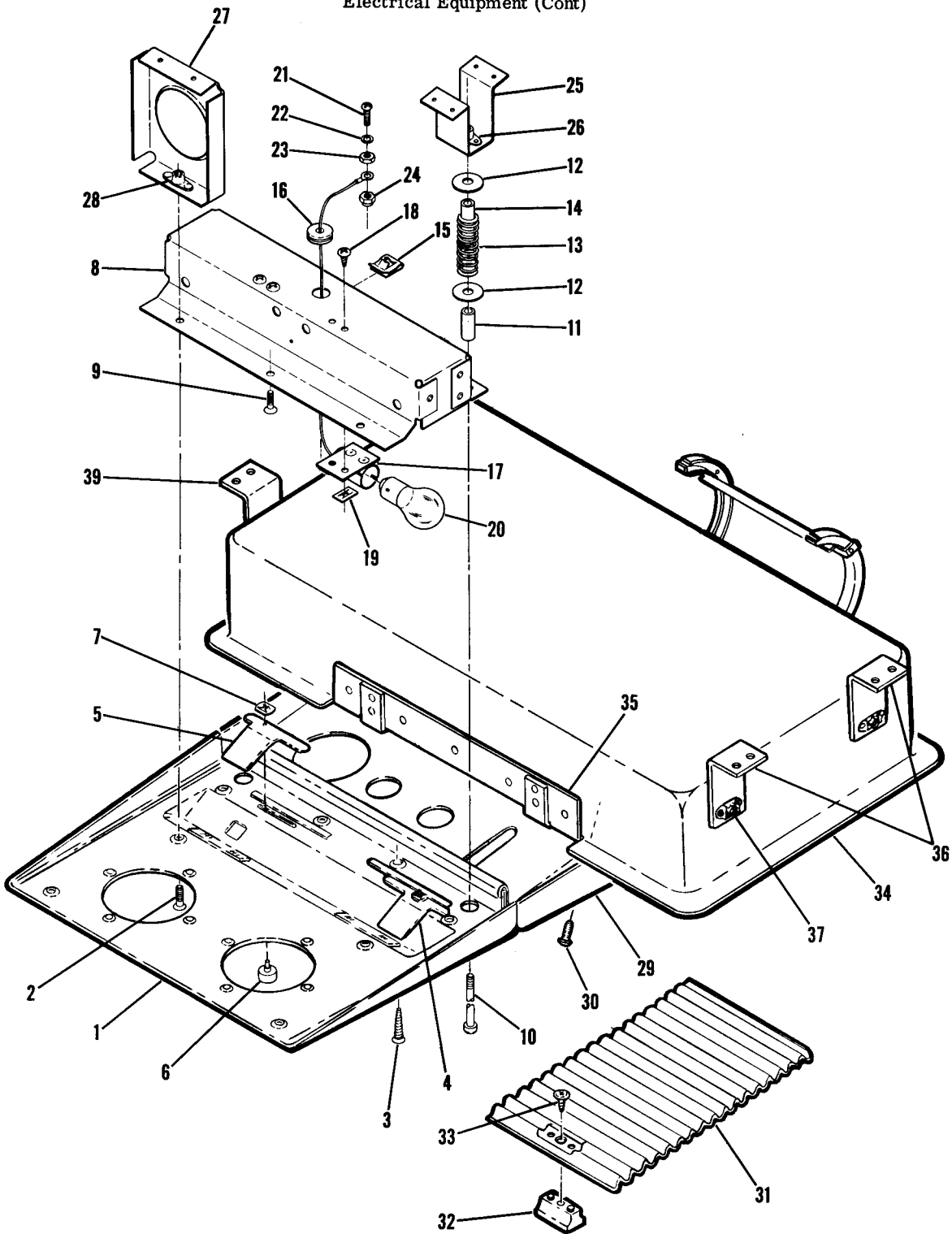
**210 SERIAL 21058819 THRU 21058936
T210 SERIAL T210-0198 THRU T210-0307**

Figure 129. Instrument Panel Light Installation



FIGURE AND INDEX NO.	PART NUMBER	DESCRIPTION	UNITS PER ASSY	USABLE ON CODE
129 -		1 2 3 4 5 6 7		
- 1	1213153-1	INSTRUMENT PANEL LIGHT INSTALLATION ----- COVER ASSEMBLY-PANEL LIGHT ----- ATTACHING PARTS -----	NP 1	A
- 2	AN509-8R8	SCREW -----	2	
- 3	S1022Z8-14	SCREW -----	4	
		-----*----- 210 SERIAL 21058819 THRU 21058936		
- 4	1213152-1	COVER SLIDE LH -----	1	
- 5	1213152-2	COVER SLIDE RH -----	1	
		ATTACHING PARTS -----		
- 6	C700628-5	SLIDE -----	1	
- 7	S1278-1	CLIP-PUSH ON -----	1	
		-----*----- T210 SERIAL T210-0198 THRU T210-0307		
- 8	C700623-14	HOUSING ASSEMBLY-PANEL LIGHT ----- ATTACHING PARTS -----	1	
- 9	AN509-8R7	SCREW -----	1	
-10	NAS602-40	SCREW -----	2	
-11	NAS43DD3-48	SPACER -----	2	
-12	S1074-1	WASHER -----	4	
-13	NAS43DD3-70	SPACER -----	2	
-14	0713124-1	SPRING -----	2	
		-----*-----		
-15	NAS396-4-3	NUT -----	4	
-16	MS35489-6	GROMMET -----	1	
-17	C700623-11	SOCKET ASSEMBLY LH -----	1	
	C700623-12	SOCKET ASSEMBLY RH -----	1	
		ATTACHING PARTS -----		
-18	S1021Z6-6	SCREW -----	2	
-19	NAS446-2-3	NUT -----	2	
		-----*-----		
-20	94	LAMP GE -----	2	
-21	AN515-6R8	SCREW -----	1	
-22	AN936A6	WASHER -----	1	
-23	AN340-6	NUT -----	1	
-24	NAS679A06	NUT -----	1	
-25	1213144-1	BRACKET ASSEMBLY-PANEL LIGHT -----	2	
-26	NAS680A08	NUTPLATE -----	1	
-27	1213157-1	BRACKET ASSEMBLY-UPHOLSTERY -----	1	
-28	C511176	CLIP-UPHOLSTERY -----	2	
		ATTACHING PARTS -----		
-29	S1021A4-6	SCREW -----	1	
		-----*-----		
-30	NAS680A08	NUTPLATE -----	2	
		A-----210 SERIAL 21058819 THRU 21058936 T210 SERIAL T210-0198 THRU T210-0307		

Electrical Equipment (Cont)

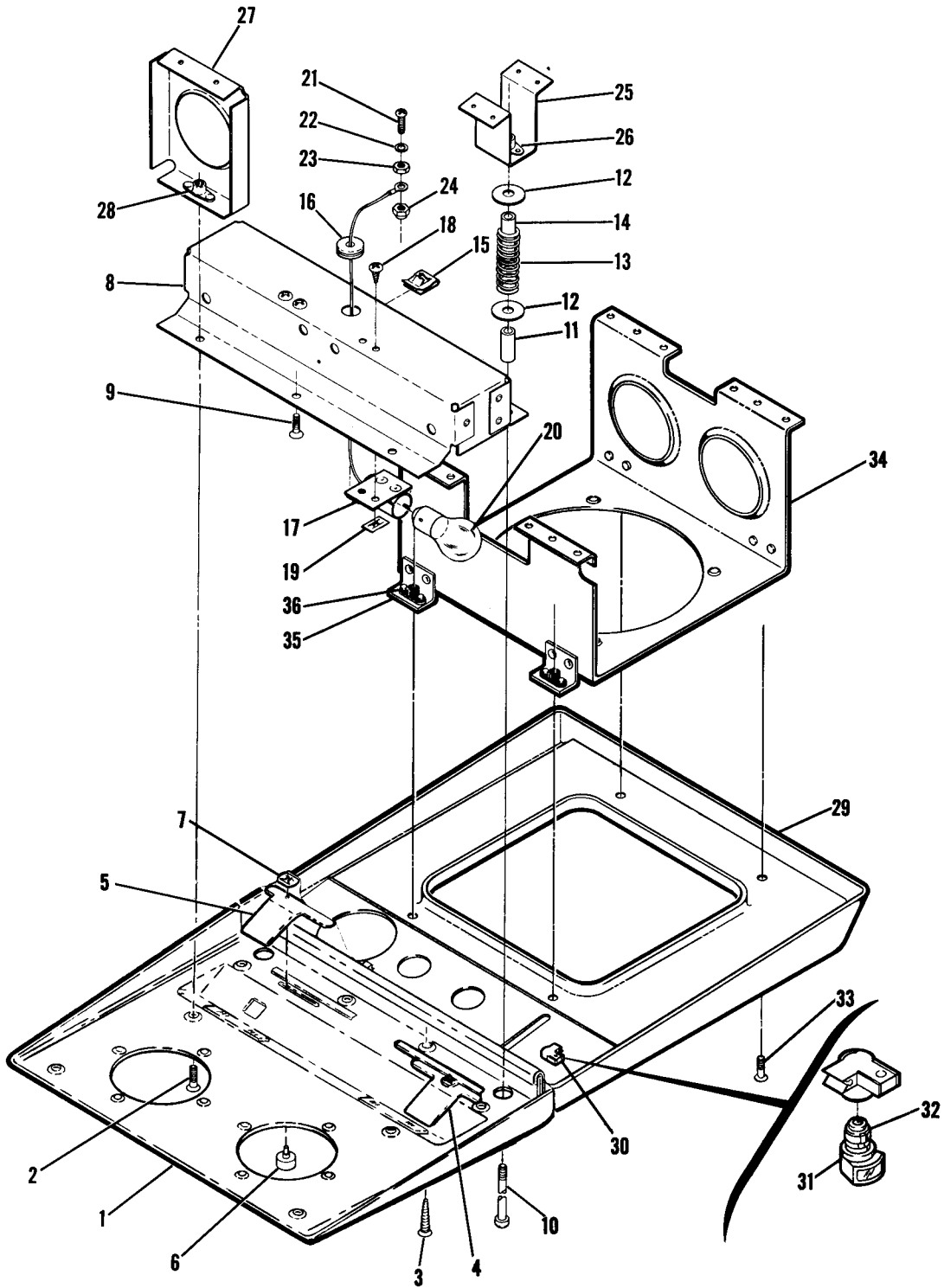


**210 SERIAL 21058937 THRU 21059061
T210 SERIAL T210-0308 THRU T210-0392**

Figure 129A. Instrument Panel Light & Oxygen Console Installation

FIGURE AND INDEX NO.	PART NUMBER		DESCRIPTION	UNITS PER ASSY	USABLE ON CODE
			1 2 3 4 5 6 7		
129A-			INSTRUMENT PANEL LIGHT INSTALLATION -----	NP	A
- 1	1211012-1	□	CONSOLE ASSEMBLY-FRONT -----	1	
			ATTACHING PARTS -----		
- 2	AN5C9-8R7		SCREW -----	2	
- 3	S1022Z8-14		SCREW -----	4	
			*-----		
- 4	1213152-1		COVER SLIDE-LH -----	1	
- 5	1213152-2		COVER SLIDE-RH -----	1	
			ATTACHING PARTS -----		
- 6	07C0628-5		SLIDE -----	1	
- 7	S1278-1		CLIP-PUSH ON -----	1	
			*-----		
- 8	07C0623-14		HOUSING ASSEMBLY-PANEL LIGHT -----	1	
			ATTACHING PARTS -----		
- 9	AN5C9-8R7		SCREW -----	1	
-10	NAS602-40		SCREW -----	2	
-11	NAS43DD3-48		SPACER -----	2	
-12	S1074-1		WASHER -----	4	
-13	0713124-1		SPRING -----	2	
-14	NAS43DD3-70		SPACER -----	2	
			*-----		
-15	NAS396-4-3		NUT -----	4	
-16	MS35489-6		GROMMET -----	1	
-17	07C0623-11		SOCKET ASSEMBLY LH -----	1	
	07C0623-12		SOCKET ASSEMBLY RH -----	1	
			ATTACHING PARTS -----		
-18	S1021Z6-6		SCREW -----	2	
-19	NAS446-2-3		NUT -----	2	
			*-----		
-20	94		LAMP GE -----	2	
-21	AN515-6R8		SCREW -----	1	
-22	AN936A6		WASHER -----	1	
-23	AN340-6		NUT -----	1	
-24	NAS679A06		NUT -----	1	
-25	1213144-1		BRACKET ASSEMBLY-PANEL LIGHT -----	2	
-26	NAS680A08		NUTPLATE -----	1	
-27	1211049-1		SUPPORT ASSEMBLY-PANEL LIGHT -----	2	
-28	NAS680A08		NUTPLATE -----	1	
			OXYGEN CONSOLE INSTALLATION -----	NP	A
-29	1211013-2	□	CONSOLE ASSEMBLY-REAR -----	1	
			ATTACHING PARTS -----		
-30	AN525-8R7		SCREW -----	4	
			*-----		
-31	1211019-2	□	DOOR -----	1	
-32	S1759		KNOB -----	1	
			ATTACHING PARTS -----		
-33	S1022Z8-5		SCREW -----	1	
			*-----		
-34	1211044-1		COMPARTMENT ASSEMBLY -----	1	
			ATTACHING PARTS -----		
	S1021Z8-8		SCREW -----	4	
			*-----		
-35	1211043-1		HANGER ASSEMBLY-CONSOLE UPHOLSTERY SUPPORT -----	1	
	NAS680A08		NUTPLATE -----	4	
	S1485D4U		CLAMP -----	4	
			ATTACHING PARTS -----		
	S1021Z8-6		SCREW -----	1	
			*-----		
-36	1211014-1		HANGER ASSEMBLY -----	4	
-37	NAS686A08		NUTPLATE -----	1	
			*-----		
			NOTE. □THIS PART NUMBER MUST HAVE A SECOND DASH		
			NUMBER ADDED TO DENOTE COLOR. REFER TO		
			HOW TO ORDER INTERIOR PARTS-PAGE VI.		
			A---210 SERIAL 21058937 THRU 21059061		
			T210 SERIAL T210-0308 THRU T210-0392		

Electrical Equipment (Cont)

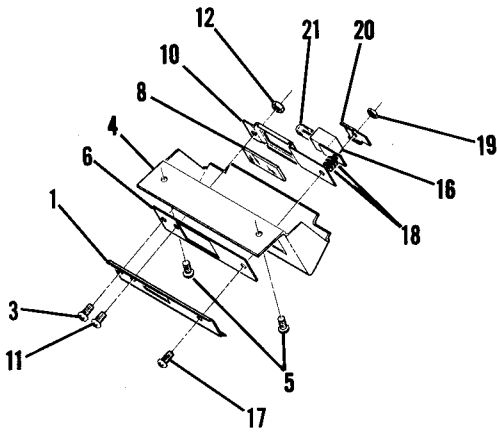


210 SERIAL 21059062 & ON
T210 SERIAL T210-0393 & ON

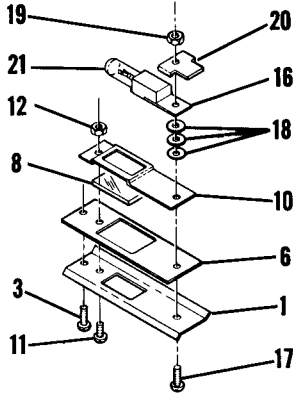
Figure 129B. Instrument Panel Light & Oxygen Console Installation

FIGURE AND INDEX NO.	PART NUMBER		DESCRIPTION	UNITS PER ASSY	USABLE ON CODE
129B-			1 2 3 4 5 6 7		
- 1	1211012-1	□	INSTRUMENT PANEL LIGHT & OXYGEN CONSOLE INSTALLATION ----- CONSOLE ASSEMBLY-FRONT ----- ATTACHING PARTS -----	NP 1	A
- 2	AN5C9-8R7		SCREW -----	2	
- 3	S102278-14		SCREW -----	4	
- 4	1213152-1		COVER SLIDE-LH -----	1	
- 5	1213152-2		COVER SLIDE-RH -----	1	
- 6	C70C628-5		ATTACHING PARTS -----		
- 7	S1278-1		SLIDE -----	1	
			CLIP-PUSH ON -----	1	
- 8	C70C623-14		HOUSING ASSEMBLY-PANEL LIGHT ----- ATTACHING PARTS -----	1	
- 9	AN509-8R7		SCREW -----	1	
-10	NAS602-40		SCREW -----	2	
-11	NAS43DD3-48		SPACER -----	2	
-12	S1074-1		WASHER -----	4	
-13	0713124-1		SPRING -----	2	
-14	NAS43DD3-70		SPACER -----	2	
-15	NAS396-4-3		NUT -----	4	
-16	MS35489-6		GROMMET -----	1	
-17	C70C623-11		SOCKET ASSEMBLY-LH -----	1	
	C70C623-12		SOCKET ASSEMBLY-RH -----	1	
			ATTACHING PARTS -----		
-18	S102176-6		SCREW -----	2	
-19	NAS446-2-3		NUT -----	2	
-20	94		LAMP GE -----	2	
-21	AN515-6R8		SCREW -----	1	
-22	AN936A6		WASHER -----	1	
-23	AN340-6		NUT -----	1	
-24	NAS679A06		NUT -----	1	
-25	1213144-1		BRACKET ASSEMBLY-PANEL LIGHT -----	2	
-26	NAS680A08		NUTPLATE -----	1	
-27	1211049-1		SUPPORT ASSEMBLY-PANEL LIGHT -----	2	
-28	NAS680A08		NUTPLATE -----	1	
-29	1211085-4	□	COVER-AFT OVERHEAD CONSOLE NO CUT OUTS. -----	1	
	1211085-1	□	COVER-AFT OVERHEAD CONSOLE CUT OUT FOR RADIO SPEAKER ONLY -	1	
	1211085-6	□	COVER ASSEMBLY-OVERHEAD CONSOLE POST LIGHTED CUT OUT -- FOR OXYGEN EQUIPMENT ONLY -----	1	
	1211085-3	□	COVER ASSEMBLY-OVERHEAD CONSOLE POST LIGHTED CUT OUT FOR RADIO SPEAKER & OXYGEN EQUIPMENT -----	1	
-30	5952-3RH-R-14		LIGHT ASSEMBLY-TAB MCUNT GBN -----	2	
-31	C65-2R12		CAP & PRISM ASSEMBLY GBN -----	1	
-32	MS25237-330		LAMP -----	1	
-33	S102178-8		SCREW -----	4	
-34	1211084-1		SUPPORT ASSEMBLY-SPEAKER -----	1	
-35	1211087-1		BRACKET ASSEMBLY -----	4	
-36	NAS697A08		NUTPLATE -----	1	
<p>NOTE. □ THIS PART NUMBER MUST HAVE A SECOND DASH NUMBER ADDED TO DENOTE COLOR. REFER TO HOW TO ORDER INTERIOR PARTS-PAGE VI.</p> <p>A---210 SERIAL 21059C62 & ON T210 SERIAL T210-0393 & ON</p>					

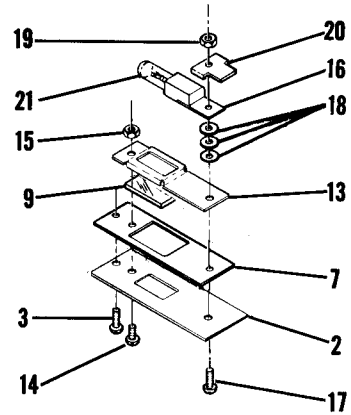
Electrical Equipment (Cont)



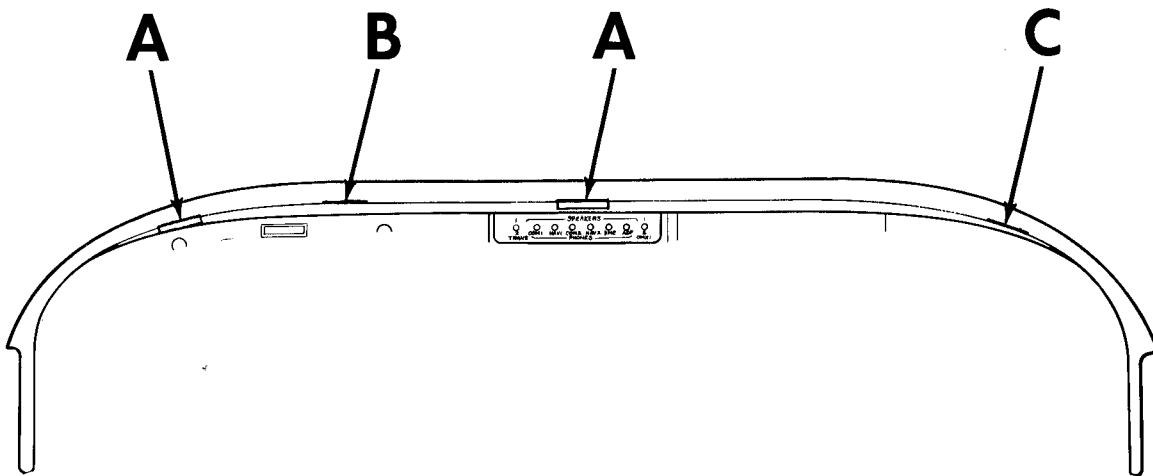
DETAIL A



DETAIL B



DETAIL C



210 SERIAL 21059062 & ON
T210 SERIAL T210-0393 & ON

Figure 129C. Instrument Panel Brow Lights Installation

FIGURE AND INDEX NO.	PART NUMBER	DESCRIPTION	UNITS PER ASSY	USABLE ON CODE
129C-		1 2 3 4 5 6 7		
- 1	1713083-1	INSTRUMENT PANEL BROW LIGHTS INSTALLATION	NP	A
- 2	1213259-1	COVER	3	
- 3	AN5-5-4R6	COVER 210 SERIAL	1	
	NAS696A04L	SCREW 21059062 & ON	2	
- 4	1213861-1	NUTPLATE	2	
	1213861-2	LIGHT FITTING ASSEMBLY RH	1	
		LIGHT FITTING ASSEMBLY LH	1	
- 5	AN515-4R6	ATTACHING PARTS T210 SERIAL	2	
	NAS698A04L	SCREW T210-0393 & ON	1	
- 6	1713080-3	* NUTPLATE	3	
- 7	1213199-1	GASKET	1	
- 8	1713084-1	GASKET	1	
- 9	1213198-1	LENS	3	
-10	1713082-1	LENS	1	
		BRACKET	3	
		ATTACHING PARTS		
-11	AN515-4R4	SCREW	1	
-12	AN340-4	NUT	1	
		*-----		
-13	1213258-1	BRACKET	1	
		ATTACHING PARTS		
-14	AN515-4R4	SCREW	1	
-15	AN340-4	NUT	1	
		*-----		
-16	S1910-1	LIGHT ASSEMBLY	4	
		ATTACHING PARTS		
-17	AN515-4R6	SCREW	1	
-18	AN560PD4	WASHER	3	
-19	AN340-4	NUT	1	
		*-----		
-20	1713085-1	RETAINER	4	
-21	S1901-1	BULB	4	
		A---210 SERIAL 21059062 & ON T210 SERIAL T210-0393 & ON		

Electrical Equipment (Cont)

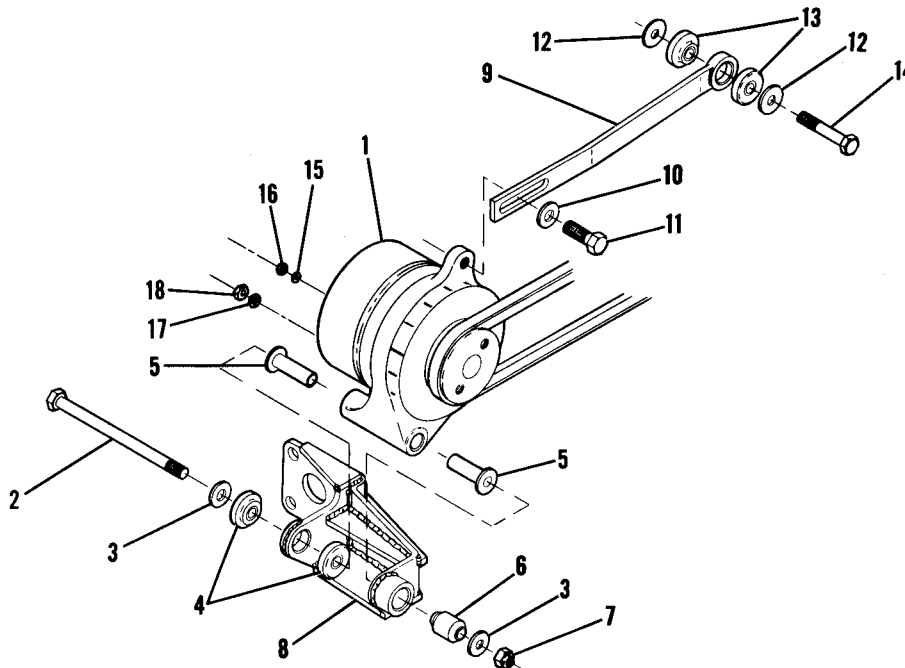


Figure 130. Shock Mounted Alternator Installation 60 Amp - 14 Volt

FIGURE AND INDEX NO.	PART NUMBER	DESCRIPTION	UNITS PER ASSY	USABLE ON CODE
130 -		SHOCK MOUNTED ALTERNATOR INSTALLATION-60 AMP-14 VOLT -----	NP	
- 1	C611501-0101	ALTERNATOR ASSEMBLY -----	1	
		ATTACHING PARTS -----		
- 2	AN5-52A	BOLT -----	1	
- 3	S1450-5H14-063	WASHER -----	2	
- 4	J9534-20	BUSHING-RUBBER LC -----	2	
- 5	1250214-1	BUSHING -----	2	
- 6	J2005-2	BUSHING-BONDED LC -----	2	
- 7	NAS679A5	NUT -----	1	
		-----*		
- 8	1250213-1	SUPPORT ASSEMBLY -----	1	
- 9	1250215-1	ARM ASSEMBLY-ADJUSTING -----	1	
		ATTACHING PARTS -----		
-10	S1450-6-14-080	WASHER -----	1	
-11	0750220-1	BOLT -----	1	
-12	S14505H14-040	WASHER -----	2	
-13	J9534-20	BUSHING-RUBBER LC -----	2	
-14	MS20074-05-13	BCLT -----	1	
		-----*		
-15	AN936A416	WASHER-CONNECT BATTERY -----	1	
-16	AN315-4R	NUT-CONNECT BATTERY -----	1	
-17	AN935-10	WASHER -----	1	
-18	S1505-3	NUT -----	1	

This page intentionally left blank.

Electrical Equipment (Cont)

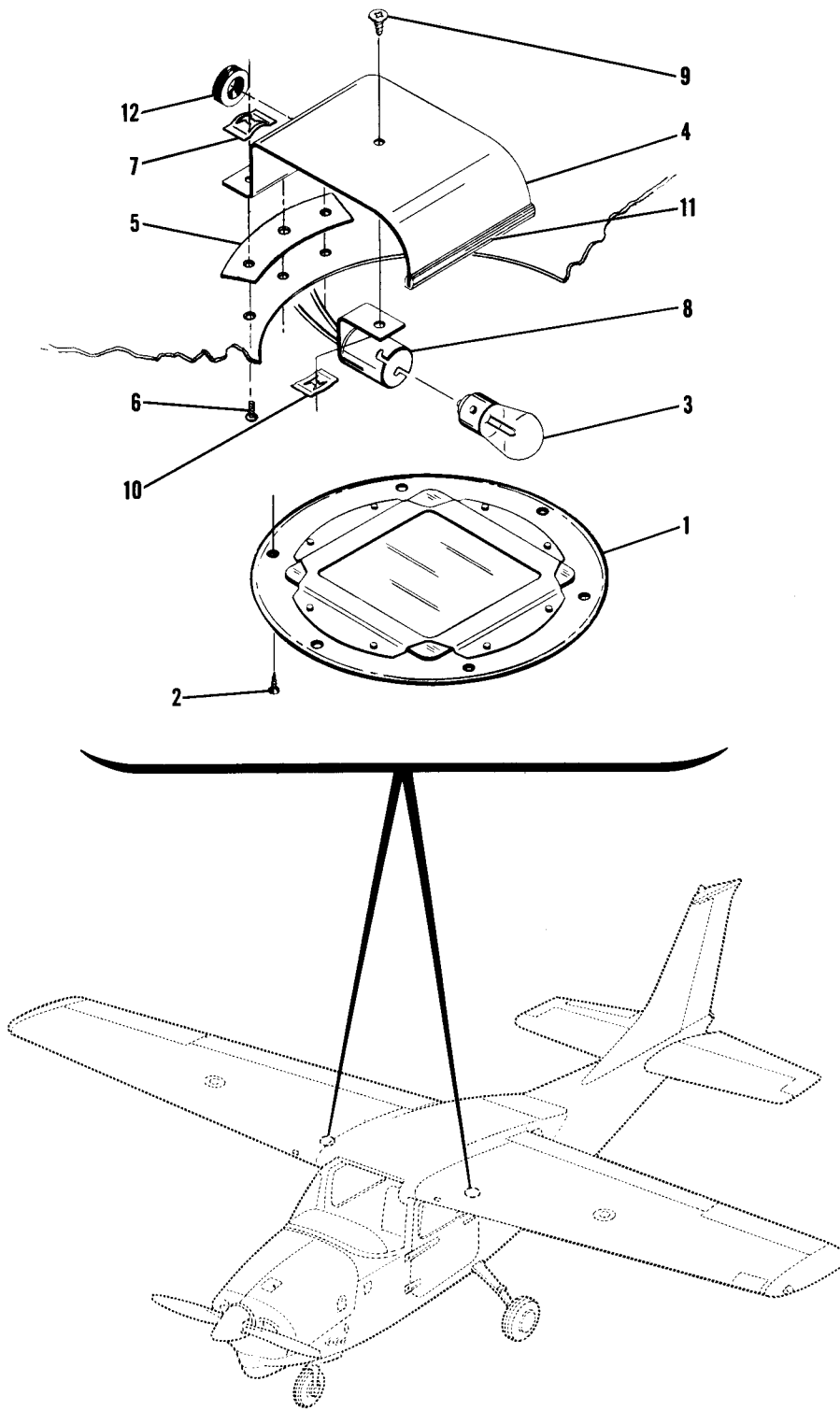


Figure 131. Courtesy Light Installation

FIGURE AND INDEX NO.	PART NUMBER	DESCRIPTION	UNITS PER ASSY	USABLE ON CODE
		1 2 3 4 5 6 7		
131 -		COURTESY LIGHT INSTALLATION -----	NP	
- 1	1270432-2	COVER ASSEMBLY -----	2	
		ATTACHING PARTS -----		
- 2	S102178-8	SCREW -----	6	
		-----*		
- 3	MS15584-2	LAMP -----	2	
- 4	0700616-1	SHIELD ASSEMBLY-COURTESY LIGHT -----	2	
		ATTACHING PARTS -----		
- 5	0700617-1	SPACER-SHIELD ASSEMBLY -----	1	
- 6	S102176-8	SCREW -----	2	
- 7	NAS446-2-3	NUT -----	2	
		-----*		
- 8	0513208-1	SOCKET-COURTESY LIGHT -----	1	
		ATTACHING PARTS -----		
- 9	S102176-6	SCREW -----	1	
-10	NAS446-2-3	NUT -----	1	
		-----*		
-11	S1055-1	CHANNEL-2.25 IN LG BULK ITEM REF S1055-1-2.25 -----	1	
-12	MS35489-134	GROMMET -----	1	



FIGURE AND INDEX NO.	PART NUMBER	DESCRIPTION	UNITS PER ASSY	USABLE ON CODE
132 -	C621001-0103	FLASHING BEACON INSTALLATION ----- LIGHT ASSEMBLY-FLASHING BEACON ----- ATTACHING PARTS ----- SCREW ----- -----*	NP 1 2	
- 1	AN515-8R8			
- 2	C17325	DOME AEFS -----	1	
- 3	C17330	GASKET AEFS -----	1	
- 4	C17312-3	LAMP AEFS -----	1	
- 5	C17326	CLAMP ASSEMBLY AEFS -----	1	
- 6	C17331-3	PLATE-MOUNTING AEFS -----	1	
- 7	C17313	SOCKET ASSEMBLY AEFS -----	1	
- 8	S1638-1	HOUSING-PLUG -----	1	
- 9	0731607-1	BAFFLE -----	1	
-10	0731606-3	TIP ASSEMBLY-FLASHING BEACON FIN -----	1	
-11	NAS680A8R8	NUTPLATE -----	2	
-12	0731606-8	PLATE-FIN TIP -----	1	
-13	AN742D4	CLAMP -----	1	
-14	AN515-6R8	SCREW -----	1	
-15	C594501-0101	FLASHER ASSEMBLY-BEACON LIGHT WHEN EXHAUSTED ----- USE C594501-0201	1	A
-16	C594501-0201	FLASHER ASSEMBLY-BEACON LIGHT ----- ATTACHING PARTS -----	1	B
-17	N233-2	SPACER NYLO -----	4	A
-18	NAS43HT3-8	SPACER -----	4	B
-19	S1676-8	SCREW -----	4	A
	AN515-8R10	SCREW ----- -----*	4	B
-20	S1638-2	HOUSING-CAP -----	1	
-21	S1158-2-1	SWITCH ASSEMBLY-FLASHING BEACON -----	1	
-22	S1360-10	CIRCUIT BREAKER-FLASHING BEACON -----	1	
<p>A---210 SERIAL 21058819 THRU 21058937 T210 SERIAL T210-0198 THRU T210-0307</p> <p>B---210 SERIAL 21058938 & ON T210 SERIAL T210-0308 & ON</p>				

Electrical Equipment (Cont)

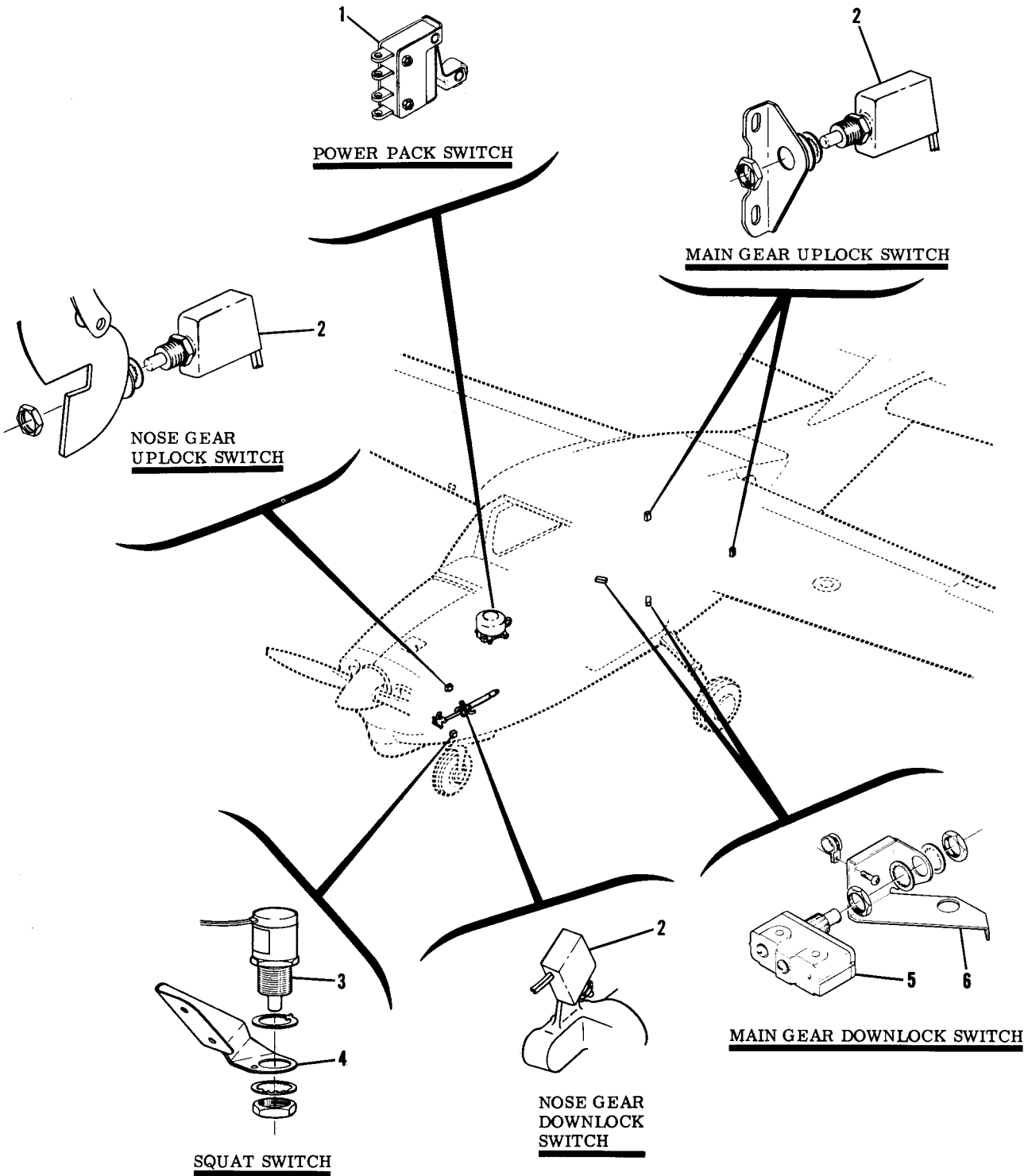


Figure 133. Landing Gear Switches Installation

FIGURE AND INDEX NO.	PART NUMBER	DESCRIPTION	UNITS PER ASSY	USABLE ON CODE
		1 2 3 4 5 6 7		
133 -		LANDING GEAR SWITCHES INSTALLATION -----	NP	
- 1	294070	SWITCH ASSEMBLY-LIMIT OAC -----	1	
- 2	S1377-1	SWITCH -----	4	
- 3	127C034-1	SWITCH -----	1	
	127C034-4	SWITCH ALTERNATE -----	1	
		ATTACHING PARTS		
- 4	1243019-2	BRACKET -----	1	
		-----*		
- 5	10-300017	SWITCH LITW -----	2	
	YZ2RQIT	SWITCH MCS ALTERNATE -----	2	
- 6	1241416-3	BRACKET-LH -----	1	
	1241416-4	BRACKET-RH -----	1	

Electrical Equipment (Cont)

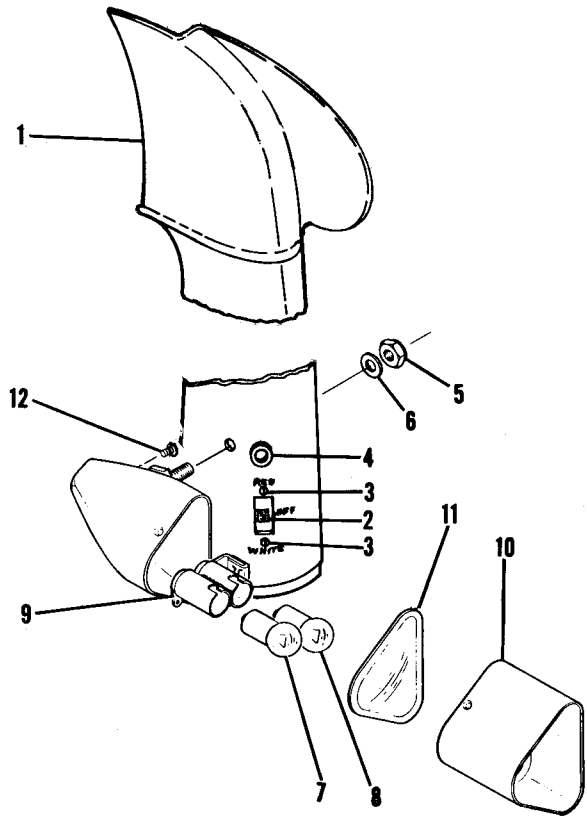


Figure 134. Map Light Installation

FIGURE AND INDEX NO.	PART NUMBER	DESCRIPTION	UNITS PER ASSY	USABLE ON CODE
		1 2 3 4 5 6 7		
I34 -		MAP LIGHT INSTALLATION	NP	C
- 1	12C0736-3	COVER-FRONT DOOR POST LH	1	A
	12C0736-7	COVER-FRONT DOOR POST LH	1	B
	12C0736-4	COVER-FRONT DOOR POST RH	1	A
	12C0736-8	COVER-FRONT DOOR POST RH	1	B
- 2	S1501-1	SWITCH-MAP LIGHT	2	
		ATTACHING PARTS		
- 3	AN515-3R6	SCREW	2	
	AN340-3	NUT	2	
	AN935-3L	WASHER	2	
- 4	MS35489-4	GROMMET	2	
	1470089-14	MAP LIGHT ASSEMBLY	2	
		ATTACHING PARTS		
- 5	NAS679A3	NUT	1	
- 6	AN970-3	WASHER	2	
- 7	1816	LAMP-WHITE GE	1	
- 8	1816TR	LAMP-RED GE	1	
- 9	IC1757	SOCKET ASSEMBLY ISES	1	
-10	0700148-1	HOOD ASSEMBLY	1	
-11	147C089-8	LENS	1	
-12	AN520-6-8	SCREW-ADJUSTMENT	1	
		NOTE. □ THIS PART NUMBER MUST HAVE A SECOND DASH NUMBER ADDED TO DENOTE COLOR. REFER TO HOW TO ORDER INTERIOR PARTS-PAGE VI.		
		A---210 SERIAL 21058819 THRU 21058936 T210 SERIAL T210-0198 THRU T210-0307		
		B---210 SERIAL 21058937 THRU 21059061 T210 SERIAL T210-0308 THRU T210-0392		
		C---210 SERIAL 21058819 THRU 21059061 T210 SERIAL T210-0198 THRU T210-0392		

 **NUMERICAL INDEX**



PART NUMBER	FIGURE AND INDEX NO.
AAM20	77 -24
AAM20	128 -23
ANB-MC1	127 -90
ANB-MC1	127A-97
AN123883	109 -43
AN15D	120 -13
AN155-32S	95 -60
AN155-32S	100 - 9
AN155B16S	100 -14
AN155B16S	100A- 6
AN155B32S	96 - 2
AN155B32S	96 -10
AN155B32S	97 - 6
AN155B32S	100A- 3
AN155R32S	101 - 2
AN155R8S	98 -28
AN155R8S	98A-63
AN165-22RS	97 - 7
AN173-5A	14 - 9
AN173-6A	14 - 6
AN173-6A	22 - 4
AN173-6A	22 -10
AN173-6A	22 -12
AN176-21A	31 - 2
AN21-10	97 - 3
AN227-13B	47 - 3
AN23-10	97 - 8
AN23-10	101 - 3
AN23-10	101 - 9
AN23-11	96 - 4
AN23-11	96 - 7
AN23-11	96A-20
AN23-11	100 - 7
AN23-11	100A-11
AN23-11	102 - 2
AN23-11	102 - 8
AN23-12	101 - 3
AN23-12	101A-20
AN23-12	102 - 3
AN23-13	96 -33
AN23-13	117 - 4
AN23-15A	39 -37
AN23-15A	52 -23
AN23-15A	53 -20
AN23-16A	52 -70
AN23-16A	53 -48
AN23-16A	55 -54
AN23-19A	52 - 2
AN23-19A	52 -36
AN23-19A	53 - 2
AN23-19A	54 -45
AN23-19A	55 - 2
AN23-19A	57 -31
AN23-20	55 -26
AN23-23A	102 -23
AN23-9A	92 -46
AN23A	3 - 7
AN24-13	52 -27
AN24-13	52 -28
AN24-14	97 -28
AN24-16	52 -29
AN24-21A	55 -22
AN24-21A	97 -22
AN2552-3A	128 -34
AN256F10	19 -29
AN256F8	98A- 6
AN3-10A	4 -84
AN3-10A	8 - 7
AN3-10A	38 - 7
AN3-10A	38 -37
AN3-10A	38A-22
AN3-10A	57 - 3
AN3-10A	72 -14
AN3-10A	87 -14
AN3-10A	93 -28

PART NUMBER	FIGURE AND INDEX NO.
AN3-10A	98 -58
AN3-10A	98A-44
AN3-10A	100B-22
AN3-10A	122 -29
AN3-11A	8 - 5
AN3-11A	39 -35
AN3-11A	56 - 2
AN3-11A	93 -11
AN3-11A	98 -16
AN3-11A	98 -22
AN3-11A	100 -28
AN3-11A	100 -51
AN3-11A	100 -70
AN3-11A	100A-23
AN3-11A	100A-42
AN3-11A	100A-61
AN3-12A	73 -42
AN3-13	117 - 5
AN3-13A	87 -24
AN3-13A	87 -32
AN3-13A	92 -43
AN3-13A	93 -35
AN3-13A	100B-29
AN3-13A	100B-36
AN3-13A	117A- 4
AN3-14A	87 -19
AN3-14A	100 -26
AN3-14A	100A-21
AN3-15	83 -17
AN3-15A	12 -61
AN3-15A	93 -34
AN3-16	122 -23
AN3-16A	42 -27
AN3-16A	98 - 3
AN3-16A	100B-36
AN3-17A	41 -22
AN3-17A	101A- 6
AN3-20	79 -49
AN3-20A	17 - 4
AN3-20A	126A-70
AN3-21A	126A-54
AN3-23A	77 -18
AN3-27A	78 -19
AN3-3A	4 -94
AN3-3A	5 -36
AN3-3A	15 -51
AN3-3A	19 - 1
AN3-3A	19 - 7
AN3-3A	19 -13
AN3-3A	19 -31
AN3-3A	20 -62
AN3-3A	20 -68
AN3-3A	29 -14
AN3-3A	92 -24
AN3-3A	93 -20
AN3-3A	96B-28
AN3-3A	96B-53
AN3-3A	98 -29
AN3-3A	98A-62
AN3-3A	100A-66
AN3-3A	101A- 2
AN3-3A	101A-18
AN3-3A	104 -11
AN3-3A	104A-18
AN3-3A	105 - 8
AN3-3A	110 -32
AN3-3A	110A-19
AN3-3A	128 - 5
AN3-33A	97 -48
AN3-33A	98 -43
AN3-33A	101 -26
AN3-4A	15 -51
AN3-4A	16 -38
AN3-4A	16 -50
AN3-4A	16A-42

PART NUMBER	FIGURE AND INDEX NO.
AN3-4A	19 - 1
AN3-4A	19 -17
AN3-4A	31 -24
AN3-4A	31 -28
AN3-4A	40A-17
AN3-4A	52 -61
AN3-4A	53 -40
AN3-4A	57 -35
AN3-4A	57 -45
AN3-4A	71 -24
AN3-4A	72 -23
AN3-4A	74 -54
AN3-4A	77 - 9
AN3-4A	80 - 4
AN3-4A	83 -15
AN3-4A	84 - 4
AN3-4A	84 -13
AN3-4A	95 -28
AN3-4A	100 -34
AN3-4A	100 -41
AN3-4A	100A-27
AN3-4A	128 -13
AN3-5	38 -24
AN3-5	38A- 7
AN3-5A	16 -37
AN3-5A	16A-41
AN3-5A	20 -63
AN3-5A	28 - 1
AN3-5A	29 -29
AN3-5A	40A-20
AN3-5A	42 -32
AN3-5A	46 - 6
AN3-5A	49 -22
AN3-5A	71 -46
AN3-5A	86 -13
AN3-5A	96A-14
AN3-5A	102 -13
AN3-5A	102 -27
AN3-5A	106 -25
AN3-5A	109 -12
AN3-5A	127 -66
AN3-5A	127 -68
AN3-5A	127A-77
AN3-5A	127A-79
AN3-5A	127A-82
AN3-53A	98 -10
AN3-6A	15 -28
AN3-6A	38 - 3
AN3-6A	38A-18
AN3-6A	40 -15
AN3-6A	65 - 8
AN3-6A	66 - 9
AN3-6A	71 -19
AN3-6A	71 -47
AN3-6A	72 -21
AN3-6A	92 -25
AN3-6A	92 -29
AN3-6A	98 -52
AN3-6A	100 -49
AN3-6A	100 -56
AN3-6A	100 -67
AN3-6A	100 -80
AN3-6A	100 -85
AN3-6A	100A-40
AN3-6A	100A-47
AN3-6A	100A-58
AN3-6A	100B-18
AN3-6A	101A-13
AN3-6A	101A-25
AN3-6A	110 -64
AN3-6A	110B-36
AN3-62A	85 -45
AN3-7	39 -24
AN3-7	122 -28
AN3-7A	38A-37

PART NUMBER	FIGURE AND INDEX NO.
AN3-7A	71 -14
AN3-7A	71 -37
AN3-7A	71 -57
AN3-7A	72 -13
AN3-7A	72 -25
AN3-7A	100A-77
AN3-7A	117A- 5
AN3-71A	85 -40
AN3-71A	85 -42
AN3-77A	86 -38
AN3H3A	33 -31
AN3H5A	20 -64
AN310-3	33 -62
AN310-3	38 -29
AN310-3	38A-12
AN310-3	39 -26
AN310-3	83 -20
AN310-3	95 -58
AN310-3	95 -68
AN310-3	96 - 1
AN310-3	96 - 5
AN310-3	96 - 8
AN310-3	96 -34
AN310-3	96A-20
AN310-3	97 - 9
AN310-3	100 - 8
AN310-3	100A-12
AN310-3	101 - 4
AN310-3	101 -10
AN310-3	101A-21
AN310-3	122 -26
AN310-4	33 -51
AN310-4	33 -58
AN310-5	31 -13
AN310-5	95 -37
AN310-5	95 -52
AN310-6	100 -36
AN310-6	100A-28
AN315-3R	71 -22
AN315-3R	71 -34
AN315-3R	72 -19
AN315-3R	72 -29
AN315-3R	101 -38
AN315-4R	130 -16
AN316-4R	32 -20
AN316-4R	38 -41
AN316-4R	38A-39
AN316-4R	42 -20
AN316-4R	87 -13
AN316-4R	87 -17
AN316-4R	94 - 2
AN316-4R	96 -21
AN316-4R	100 -54
AN316-4R	100 -61
AN316-4R	100 -73
AN316-4R	100A-45
AN316-4R	100A-52
AN316-4R	100A-64
AN316-4R	100B-20
AN316-4R	100B-39
AN316-4R	124 -19
AN316C4R	39 -41
AN316C5R	39 -42
AN320-1	97 - 4
AN320-3	38 -26
AN320-3	38A- 9
AN320-3	102 - 5
AN320-3	102 -10
AN320-3	117 - 4
AN320-3	117 - 5
AN320-4	97 -26
AN320-5	117 -25
AN320-5	117A-24
AN320-6	118 -34
AN320C3	98 -68

PART NUMBER	FIGURE AND INDEX NO.
AN340-2	77 -26
AN340-3	134 - 3
AN340-4	100 -90
AN340-4	100A-85
AN340-4	100B-15
AN340-4	128 -56
AN340-4	129C-12
AN340-4	129C-15
AN340-4	129C-19
AN340-6	58 -33
AN340-6	129 -23
AN340-6	129A-23
AN340-6	129B-23
AN340-8	82 -11
AN340B6	58A-12
AN340B6	58B-14
AN340B6	96B- 1
AN340B6	96B-29
AN340B6	126B-15
AN340B6	126B-15
AN340B8	58 -15
AN340B8	58 -34
AN340B8	58A-24
AN340B8	58A-84
AN340B8	58B-26
AN340B8	58B-87
AN345-10	6 -18B
AN345-10	41 - 9
AN345-10	42 -47
AN356-1032	71 -35
AN356-1032	72 -20
AN356-1032	72 -29
AN4-10A	38A-33
AN4-10A	80 - 6
AN4-10A	96 -36
AN4-10A	97 -37
AN4-10A	97 -71
AN4-10A	97 -74
AN4-10A	97 -77
AN4-10A	101 -34
AN4-11A	7 - 1
AN4-11A	10 - 1
AN4-11A	11 - 1
AN4-11A	12 - 1
AN4-11A	38 -33
AN4-11A	74 -28
AN4-12A	100 -33
AN4-14A	54 -13
AN4-14A	100 -75
AN4-14A	100A-70
AN4-14A	117A-15
AN4-16A	29 -16
AN4-16A	97 -12
AN4-16A	97 -33
AN4-16A	107 - 1
AN4-16A	107A- 1
AN4-16A	122 -20
AN4-17A	29 -21
AN4-20A	97 -66
AN4-20A	101 -13
AN4-22A	34 - 5
AN4-23A	33 -69
AN4-24A	40 - 2
AN4-27A	100A-26
AN4-3A	15 -15
AN4-30A	100 -43
AN4-30A	100 -63
AN4-30A	100A-34
AN4-30A	100A-54
AN4-31A	33 -50
AN4-31A	33 -55
AN4-33A	97 -52
AN4-33A	98 -37
AN4-34A	97 -40
AN4-34A	98 -47

PART NUMBER	FIGURE AND INDEX NO.
AN4-34A	101 -30
AN4-36A	97 -57
AN4-36A	98 -32
AN4-36A	101 -20
AN4-4A	71 -49
AN4-4A	72 -37
AN4-4A	111 - 6
AN4-4A	128 - 7
AN4-40A	96 -12
AN4-47A	3 - 1
AN4-5A	24 -15
AN4-5A	52 -57
AN4-5A	53 -36
AN4-5A	56 - 9
AN4-6A	55 -4E
AN4-6A	56 -10
AN4-6A	57 -47
AN4-6A	77 - 1
AN4-7A	12 -85
AN4-7A	33 -75
AN4-7A	71 - 5
AN4-7A	72 - 5
AN4-7A	96 -16
AN4-7A	96 -19
AN4-7A	126B- 7
AN4C6A	79 - 9
AN4H12A	126A-66
AN4H5A	31 -21
AN4022-1	108 -17
AN407B-1	109 -11
AN42B-10	38A-11
AN42B10	38 -28
AN481-1P	98 -70
AN486-4	100B-37
AN5-12A	96 -41
AN5-12A	100 -18
AN5-12A	100A-15
AN5-13A	96 -30
AN5-14A	100 -20
AN5-14A	100A-82
AN5-17A	96 -26
AN5-22A	36 -25
AN5-26A	126B-24
AN5-32A	33 -22
AN5-33A	33 - 2
AN5-35A	37 - 4
AN5-47	31 - 8
AN5-5-4R6	129C- 3
AN5-52A	130 - 2
AN5-55A	40A- 2
AN5-6A	9 - 1
AN5-6A	9A- 1
AN5-6A	80 -25
AN5-7A	62 -23
AN500-10-10	72 -40B
AN500-8-6	107 -10
AN500-8-6	107A-10
AN500AD6-3	112 -15
AN500AD6-3	115 -12
AN500A10-8	82 - 2
AN500A4-4	25 -41
AN500A8-4	98A-31
AN500A8-6	98A-16
AN501-10-14	111 -27
AN503-8-12	82 - 8
AN503-8-16	82 -10
AN503-8-8	82 - 5
AN505-4-12	100 -90
AN505-4-12	100A-85
AN507-10R6	110 - 8
AN507-1032R10	21 -27
AN507-1032R12	50 - 9
AN507-1032R6	95 -24
AN507-1032R6	95 -26B
AN507-1032R7	3 -16

PART NUMBER	FIGURE AND INDEX NO.
AN507-1032R7	3 -17
AN507-1032R7	3 -18
AN507-1032R7	3 -20
AN507-1032R7	5 -23
AN507-1032R7	5 -26
AN507-1032R7	5 -26B
AN507-1032R8	43 -15
AN507-1032R8	44 -14
AN507-440R5	98A-26
AN507-6R6	27 - 7
AN507-632	70 -26
AN507-632R12	3 -34
AN507-632R12	3 -34G
AN507-632R12	45 - 6
AN507-632R12	58 -33
AN507-632R16	128 -18
AN507-632R3	59 - 6
AN507-632R3	60 -10
AN507-632R3	60A-10
AN507-632R3	60B-10
AN507-632R3	109 -15
AN507-632R4	59A- 6
AN507-632R4	59B- 5
AN507-632R4	103 -37
AN507-632R6	38A-15
AN507-632R6	69 -26
AN507-632R8	3 -14
AN507-640R4	103 -31
AN507-832-32	59A-17
AN507-832-32	59B-18
AN507-832-8	59 -18
AN507-832R14	52 - 7
AN507-832R14	53 - 7
AN507-832R6	15 -32
AN507-832R6	19 - 6
AN507-832R6	19 -14
AN507-832R6	107 -27
AN507-832R6	107A-27
AN507-832R7	38 -21
AN507-832R7	38A- 4
AN507-832R8	43 -15
AN507-832R8	44 -14
AN507-832R8	95 -35
AN507B632-6	58A-23
AN507B632-6	58B-25
AN507B632R12	58 -53
AN507B632R12	58 -55
AN507B632R12	58A-22
AN507B632R12	58B-24
AN507B632R4	59 - 5
AN507B632R7	58A-46
AN507B632R7	58B- 7
AN507B832R24	58 -34
AN507B832R24	58A-24
AN507B832R24	58B-26
AN507B832R8	64 - 5
AN507DD440R8	127A-28
AN509-10R10	3 -59
AN509-10R10	69 -39
AN509-10R10	70 -39
AN509-10R14	43 - 1
AN509-10R14	44 - 1
AN509-10R16	43 - 2
AN509-10R16	44 - 2
AN509-10R31	10 -23
AN509-10R34	12 -61
AN509-10R7	70 -40
AN509-10R7	70 -40
AN509-10R8	3 -57
AN509-10R8	43 -57
AN509-10R8	44 -46
AN509-10R9	69 -45
AN509-416R13	11 -54
AN509-416R29	117 -16
AN509-416R34	42 -52

PART NUMBER	FIGURE AND INDEX NO.
AN509-8RT	52 -74
AN509-8R6	98A- 7
AN509-8R7	23 -45
AN509-8R7	53 -52
AN509-8R7	55 -58
AN509-8R7	129 - 9
AN509-8R7	129A- 2
AN509-8R7	129A- 9
AN509-8R7	129B- 2
AN509-8R7	129B- 9
AN509-8R8	129 - 2
AN515-10R8	94 -19
AN515-2R12	77 -26
AN515-2R6	95 -26B
AN515-3R6	134 - 3
AN515-4R12	100B-14
AN515-4R4	129C-11
AN515-4R4	129C-14
AN515-4R5	96A- 7
AN515-4R6	128 -56
AN515-4R6	129C- 5
AN515-4R6	129C-17
AN515-4R7	128 -22
AN515-6R10	77 -15
AN515-6R10	90 -14
AN515-6R10	91 -14
AN515-6R12	110 - 7
AN515-6R5	127 -77
AN515-6R5	127A-10
AN515-6R6	12 -83
AN515-6R6	17 -37
AN515-6R6	44 -25
AN515-6R6	101A- 4
AN515-6R6	127 - 2
AN515-6R7	78 -21
AN515-6R7	108 -11
AN515-6R8	3 -70
AN515-6R8	10 -29
AN515-6R8	43 -24
AN515-6R8	95 -15
AN515-6R8	128 -23
AN515-6R8	129 -21
AN515-6R8	129A-21
AN515-6R8	129B-21
AN515-6R8	132 -14
AN515-8-10	89 - 9
AN515-8-8	83 - 7
AN515-8-8	84 -10
AN515-8R10	7 -44
AN515-8R10	58 -95
AN515-8R10	95 -49
AN515-8R10	127A-20
AN515-8R10	132 -19
AN515-8R16	111 - 9
AN515-8R18	104 -30
AN515-8R18	104A-42
AN515-8R20	58 - 7
AN515-8R24	3 -27
AN515-8R4	31 -16
AN515-8R4	36 -33
AN515-8R6	3 -44
AN515-8R6	3 -54
AN515-8R6	12 -83
AN515-8R6	24 -36
AN515-8R6	28 -31
AN515-8R6	32 - 3
AN515-8R6	58 -99
AN515-8R6	58A-87
AN515-8R6	58A-91
AN515-8R6	58B-76
AN515-8R6	58B-80
AN515-8R6	61 -14
AN515-8R6	74 -25
AN515-8R6	77 -21
AN515-8R6	80 -27

PART NUMBER	FIGURE AND INDEX NO.
AN515-8R6	90 -11
AN515-8R6	91 -11
AN515-8R6	96B-25
AN515-8R6	96B-50
AN515-8R6	104 -49
AN515-8R6	104A-58
AN515-8R6	108 -14
AN515-8R6	109 - 5
AN515-8R6	128 -14
AN515-8R7	12 - 6
AN515-8R7	20 -42
AN515-8R7	23 -14
AN515-8R7	39 -17
AN515-8R7	61 - 7
AN515-8R7	91 -37
AN515-8R7	98A-12
AN515-8R7	98A-36
AN515-8R7	98A-38
AN515-8R7	100B-33
AN515-8R8	3 -70
AN515-8R8	7 - 8
AN515-8R8	10 -29
AN515-8R8	14 -12
AN515-8R8	23 - 9
AN515-8R8	73 -25
AN515-8R8	74 -31
AN515-8R8	85 -35
AN515-8R8	86 - 3
AN515-8R8	92 -11
AN515-8R8	99 - 9
AN515-8R8	104 - 8
AN515-8R8	104A-16
AN515-8R8	127 -18
AN515-8R8	127 -21
AN515-8R8	127 -73
AN515-8R8	127 -82
AN515-8R8	127A-38
AN515-8R8	127A-88
AN515-8R8	127B- 2
AN515-8R8	128 -19
AN515-8R8	128 -20
AN515-8R8	132 - 1
AN515-832R10	127A-34
AN515B6R12	58 -24
AN515B6R12	58 -25
AN515B6R12	58 -28
AN515B6R12	58 -31
AN515B6R12	58 -32
AN515B6R12	58A- 6
AN515B6R12	58A-12
AN515B6R12	58A-15
AN515B6R12	58A-16
AN515B6R12	58A-18
AN515B6R12	58A-20
AN515B6R12	58A-21
AN515B6R12	58B- 8
AN515B6R12	58B-14
AN515B6R12	58B-17
AN515B6R12	58B-18
AN515B6R12	58B-20
AN515B6R12	58B-22
AN515B6R12	58B-23
AN515B6R12	96B-54
AN515B6R16	58 -17
AN515B6R16	58 -22
AN515B6R16	58 -23
AN515B6R16	58A-11
AN515B6R16	58A-12
AN515B6R16	58A-17
AN515B6R16	58B-13
AN515B6R16	58B-14
AN515B6R16	58B-19
AN515B6R16	96B- 1
AN515B6R16	96B-29
AN515B6R6	58 -11

PART NUMBER	FIGURE AND INDEX NO.
AN515B6R6	58 -29
AN515B6R6	58 -29A
AN515B6R6	58 -30
AN520-10R10	62 -18
AN520-10R10	90 -31
AN520-10R10	91 -30
AN520-10R10	127 -19
AN520-10R10	127 -64
AN520-10R10	127A-75
AN520-10R12	3 -37
AN520-10R12	3 -37
AN520-10R12	19 -20
AN520-10R12	79 -21
AN520-10R14	103 -47
AN520-10R16	126A-9
AN520-10R6	78 -4
AN520-10R6	88 -5
AN520-10R6	111 -46
AN520-10R8	41 -18
AN520-10R8	54 -17
AN520-10R8	98 -64
AN520-10R8	108 -12
AN520-10R8	110 -42
AN520-10R8	110 -59
AN520-10R8	110 -74
AN520-10R8	110B-4
AN520-10R8	115 -1
AN520-10R8	128 -58
AN520-10R8	110B-31
AN520-10R8	110B-50
AN520-10R9	45 -27
AN520-416R8	128 -11
AN520-416R8	128 -46
AN520-6-8	134 -12
AN520-6R10	58A-13
AN520-6R10	58A-14
AN520-6R10	58B-15
AN520-6R10	58B-16
AN520-8R5	86 -7
AN520-8R6	111 -51
AN520C5-4	127 -22
AN523-10R22	90 -30
AN523-10R22	91 -29
AN525-10R14	36 -5
AN525-10R16	50 -12
AN525-10R18	45 -13
AN525-10R6	87 -21
AN525-10R7	127 -10
AN525-10R7	127A-23
AN525-10R8	17 -20
AN525-10R8	20 -44
AN525-10R8	43 -42
AN525-10R8	46 -33
AN525-10R8	98A-1
AN525-10R8	104A-24
AN525-10R8	108 -13
AN525-10R8	109 -45
AN525-416R9	23 -46
AN525-8R6	107 -54
AN525-8R6	107A-49
AN525-8R7	127B-11
AN525-8R7	129A-30
AN525-8R8	5 -52
AN525-832R26	41 -19
AN525-832R6	25 -27
AN525-832R7	9 -44
AN525-832R7	9A-42
AN525-832R7	43 -65
AN525-832R7	44 -54
AN525-832R8	23 -40
AN525-832R8	23 -40
AN526C632R8	126B-9
AN526C832R28	126B-22
AN530-6R10	30 -4
AN535-2-3	2 -21

PART NUMBER	FIGURE AND INDEX NO.
AN535-2-3	7 -46
AN565B4-2	95 -26B
AN565B4-2	95 -26B
AN565D1032H10	42 -55
AN565D6-3	94 -18
AN565D8H5	36 -13
AN6-13A	14 -28
AN6-16	100 -36
AN6-16A	100A-28
AN6-23A	36 -26
AN6-26A	42 -8
AN6-7A	9 -2
AN6-7A	9A-2
AN6195-8Z3	20 -14
AN6204B1	111 -44
AN6227B10	35 -5
AN6227B10	118 -8
AN6227B11	118 -15
AN6227B11	125 -7
AN6227B12	36 -17
AN6227B15	126 -10
AN6227B19	118 -11
AN6227B22	35 -7
AN6227B24	111 -25
AN6227B26	33 -7
AN6227B27	37 -18
AN6227B3	35 -14
AN6227B32	33 -45
AN6227B5	33 -8
AN6227B5	62 -15
AN6227B5	99 -11
AN6227B8	94 -9
AN6227B9	118 -21
AN6230B3	33 -23
AN6230B6	33 -48
AN6289-4D	111 -59
AN6289D3	117 -28
AN6289D3	117 -31
AN6289D3	117A-30
AN6289D4	117 -8
AN6289D4	117A-11
AN6289D4	122 -14
AN6289D4	123 -8
AN6289D4	123 -9
AN6289D6	112 -11
AN665-21R	41 -10
AN665-21R	42 -46
AN7-40A	71 -2
AN7-40A	72 -2
AN735D22	115 -1
AN735D36	109 -45
AN735D36	110 -42
AN735D36	110B-4
AN737TW91	72 -40
AN737TW91	104A-22
AN737TW91	105 -6
AN741-18P	73 -42
AN742D12	110B-53
AN742D14	126A-12
AN742D17	104 -11
AN742D17	104A-18
AN742D2	74 -25
AN742D2	108 -12
AN742D3	90 -25
AN742D3	90 -26
AN742D3	91 -25
AN742D3	91 -26
AN742D3	106 -24
AN742D3	127 -18
AN742D3	127 -21
AN742D3	127A-33
AN742D32	109 -12
AN742D36	79 -45
AN742D36	110 -63
AN742D36	110B-35

PART NUMBER	FIGURE AND INDEX NO.
AN742D4	71 -56
AN742D4	79 -20
AN742D4	127A-38
AN742D4	132 -13
AN742D5	87 -27
AN742D5	100B-35
AN742D6	3 -44
AN742D6	104 -48
AN742D6	104A-57
AN742D6	117 -10
AN742D8	103 -46
AN742D9	119 -6
AN783D4	117A-2
AN804-D4	122 -17
AN804D4	122 -18
AN804D4	107 -34
AN815-4D	107 -37
AN815-4D	107A-31
AN815-4D	107A-39
AN815-4D	111 -31
AN815-4D	112 -4
AN815-4D	112 -8
AN815-4D	120 -20
AN815-4D	122 -4
AN815-4D	122 -7
AN815-4D	122 -16
AN815-6D	3 -39
AN815-6D	104 -20
AN815-6D	104 -29
AN815-6D	104 -32
AN815-6D	104 -40
AN815-6D	104 -45
AN815-6D	104A-32
AN815-6D	104A-41
AN815-6D	104A-44
AN815-6D	104A-51
AN815-6D	104A-54
AN815-6D	111 -48
AN815-6D	112 -9
AN815-8D	107 -28
AN815-8D	107 -30
AN815-8D	107A-37
AN815-8D	111 -8
AN815-8D	111 -58
AN815-8R8	120 -21
AN816-2D	71 -44
AN816-2D	72 -41
AN816-2D	72 -54
AN816-2D	73 -19
AN816-2D	74 -23
AN816-2D	74 -25
AN816-4D	73 -10
AN816-4D	74 -17D
AN816-4D	109 -13
AN816-4D	110 -25
AN816-4D	110 -36
AN816-4D	110A-16
AN816-4D	127 -49
AN816-6-6	110 -49
AN816-6-6	110B-16
AN816-6D	110A-12
AN816-8D	104A-10
AN821-4D	127 -35
AN821-4D	127A-15
AN821-4D	127A-51
AN821-4D	127A-57
AN821-4D	127A-66
AN821-8D	80 -46
AN824-4D	73 -8
AN824-4D	74 -15
AN824-4D	74 -17B
AN824-4D	127A-43
AN832-2D	72 -52
AN832-3D	92 -3
AN832-3D	92 -7

PART NUMBER	FIGURE AND INDEX NO.
AN832-3D	117 -29
AN832-3D	117A-27
AN832-4D	104A-60
AN832-4D	107 -31
AN832-4D	117 -34
AN832-4D	117A-38
AN832-4D	119 - 5
AN832-6D	104 -22
AN832-6D	104 -24
AN832-6D	104 -27
AN832-6D	104 -36
AN832-6D	104 -38
AN832-6D	104A-34
AN832-6D	104A-36
AN832-6D	104A-39
AN832-6D	104A-47
AN832-6D	104A-49
AN833-2D	71 -41
AN833-2D	72 -42
AN833-3D	117 -28
AN833-3D	117 -32
AN833-3D	117A- 8
AN833-3D	117A-28
AN833-3D	117A-31
AN833-4D	36 -23
AN833-4D	79 -35
AN833-4D	92 -17
AN833-4D	104 -13
AN833-4D	104A-20
AN833-4D	108 -21
AN833-4D	109 - 3
AN833-4D	109 -22
AN833-4D	117 - 2
AN833-4D	117A- 9
AN833-4D	122 - 1
AN833-4D	123 - 7
AN833-4D	123 - 9
AN833-4D	127 -40
AN833-4D	127A-45
AN833-4D	127A-62
AN833-6D	80 -28
AN833-6D	111 -49
AN833-8D	104 - 5
AN833-8D	104A- 4
AN833-8D	104A-11
AN833-8D	105 -12
AN834-2D	108 - 8
AN834-4D	117 - 1
AN834-4D	117A- 1
AN834-4D	120 -17
AN834-6D	123 - 6
AN834-6D	112 -10
AN834D4	109 - 8
AN834D4	108 -23
AN837-3D	92 - 3
AN837-3D	111 -36
AN837-3D	117 -31
AN837-3D	117A-30
AN837-4D	71 -51
AN837-4D	108 - 9
AN837-4D	109 -22
AN837-4D	111 -59
AN837-4D	112 - 5
AN837-4D	112 - 6
AN837-4D	117 - 9
AN837-4D	120 - 7
AN837-4D	120 -14
AN837-4D	122 -14
AN837-4D	123 - 8
AN837-6D	80 -23
AN837-8D	107A-29
AN837-8D	111 -13
AN838-10	126A-59
AN840-8	110 -77
AN840-8	110B-57

PART NUMBER	FIGURE AND INDEX NO.
AN842-10D	110B-69
AN842-8	110 -54
AN842-8	110B-23
AN842-8D	110B-67
AN894D4-3	122 -18
AN894D8-6	80 -47
AN900-10	73 -41
AN900-6	73 -22
AN900-6	74 -33
AN901-4A	80 -16
AN901-6A	80 - 9
AN910-1D	103 -43
AN911-3	80 -41
AN911-3	110 -83
AN911-3	110B-63
AN912-2D	119 - 6
AN912-3	73 -33
AN912-3	79 -31
AN912-3	109 -17
AN912-3	109 -21
AN912-3D	126A- 7
AN912-4D	79 -52
AN912-4D	110B-68
AN914-1D	92 -19C
AN914-4D	79 -51
AN915-1	79 -30
AN915-1	109 -20
AN915-2D	110 -39
AN916-416L	32 -17
AN916-516L	117 -23
AN917-3	80 -42
AN917-3	110 -82
AN917-3	110B-62
AN918-3D	126A- 8
AN919-1D	108 - 5
AN919-12D	104A- 7
AN919-12D	105 - 4
AN919-12D	105 -10
AN919-2D	117 -20
AN919-2D	117A-17
AN919-2D	122 -18
AN921-4D	94 -12
AN921-4D	107 -44
AN921-4D	107A-34
AN921-4D	117 - 8
AN921-8D	80 -35
AN921-8D	107 -39
AN921-8D	107 -41
AN921-8D	107A-42
AN924	104A-34
AN924-10D	126A-60
AN924-2D	71 -43
AN924-2D	71 -61
AN924-2D	72 -44
AN924-2D	72 -49
AN924-2D	72 -54
AN924-2D	108 - 8
AN924-3D	92 - 7
AN924-3D	111 -37
AN924-3D	117 -29
AN924-3D	117A- 8
AN924-3D	117A-27
AN924-3D	117A-28
AN924-3D	117A-31
AN924-4D	71 -53
AN924-4D	79 -37
AN924-4D	92 -19
AN924-4D	94 -14
AN924-4D	104 -13
AN924-4D	104A-20
AN924-4D	104A-60
AN924-4D	107 -31
AN924-4D	107 -44
AN924-4D	107A-34
AN924-4D	108 - 9

PART NUMBER	FIGURE AND INDEX NO.
AN924-4D	108 -22
AN924-4D	109 - 3
AN924-4D	109 -10
AN924-4D	109 -22
AN924-4D	109 -26
AN924-4D	111 -19
AN924-4D	117 - 1
AN924-4D	117 - 2
AN924-4D	117 - 9
AN924-4D	117 -34
AN924-4D	117A- 1
AN924-4D	117A- 2
AN924-4D	117A-38
AN924-4D	119 - 5
AN924-4D	119 - 6
AN924-4D	120 - 7
AN924-4D	120 -14
AN924-4D	120 -17
AN924-4D	122 - 1
AN924-4D	122 -17
AN924-4D	123 - 6
AN924-4D	123 - 7
AN924-4D	127 -40
AN924-4D	127A-45
AN924-4D	127A-62
AN924-6D	80 -23
AN924-6D	80 -28
AN924-6D	104 -22
AN924-6D	104 -24
AN924-6D	104 -27
AN924-6D	104 -36
AN924-6D	104 -38
AN924-6D	104A-36
AN924-6D	104A-39
AN924-6D	104A-47
AN924-6D	104A-49
AN924-6D	110 -47
AN924-6D	110B- 9
AN924-6D	111 -43
AN924-6D	111 -49
AN924-6D	79 -43
AN924-8D	80 -35
AN924-8D	104 - 5
AN924-8D	104A- 4
AN924-8D	104A-11
AN924-8D	105 -14
AN924-8D	107 -39
AN924-8D	107 -41
AN924-8D	107A-30
AN924-8D	107A-43
AN924-8D	111 -15
AN9243D	117 -32
AN9289-4D	112 - 7
AN929-6	112 -11A
AN932C4	109 -40
AN932D2	127A-61
AN932D4	127 -26
AN932S2	127 -60
AN932S2	127A-72
AN934-3D	92 - 3
AN935-10	111 -28
AN935-10	130 -17
AN935-3L	134 - 3
AN935-416	38A-34
AN935-8	107 -11
AN935-8	107A-11
AN936A10	55 -27
AN936A10	89 -25
AN936A10	100 -41
AN936A10	106 - 2
AN936A2	77 -26
AN936A4	128 -56
AN936A416	31 -32
AN936A416	52 -29
AN936A416	55 -22

PART NUMBER	FIGURE AND INDEX NO.
AN936A416	64 -17
AN936A416	87 -17
AN936A416	130 -15
AN936A6	3 -70
AN936A6	10 -29
AN936A6	58 -33
AN936A6	126B-13
AN936A6	126B-13
AN936A6	129 -22
AN936A6	129A-22
AN936A6	129B-22
AN936A616	52 -30
AN936A616	55 -22
AN936A616	55 -28
AN936A8	3 -70
AN936A8	10 -29
AN936A8	36 -33
AN936A8	58 -16
AN936A8	58A-83
AN936A8	58B-86
AN936A8	107 -55
AN936A8	107A-50
AN936R10	73 -42
AN936B8	31 -17
AN936D6	58 -33
AN944-101A	33 -53
AN944-101A	33 -65
AN96-8	38 -22
AN96C10	42 -24
AN960-10	10 -24
AN960-10	11 -57
AN960-10	17 - 5
AN960-10	20 -68
AN960-10	22 -12
AN960-10	28 - 3
AN960-10	29 -29
AN960-10	31 -19
AN960-10	33 -38
AN960-10	38 - 4
AN960-10	38 -25
AN960-10	38 -38
AN960-10	38A- 8
AN960-10	38A-20
AN960-10	38A-36
AN960-10	39 -25
AN960-10	39 -38
AN960-10	40 - 9
AN960-10	40A-10
AN960-10	41 -14
AN960-10	42 -27
AN960-10	42 -29
AN960-10	42 -32
AN960-10	42 -42
AN960-10	46 -33
AN960-10	54 -20
AN960-10	56 - 3
AN960-10	83 -19
AN960-10	87 -15
AN960-10	89 -40
AN960-10	95 -28
AN960-10	98 -67
AN960-10	98A-62
AN960-10	100 -28
AN960-10	100 -52
AN960-10	100 -69
AN960-10	100A-23
AN960-10	100A-43
AN960-10	100A-60
AN960-10	100B-30
AN960-10	100B-36
AN960-10	117A- 6
AN960-10	122 -25
AN960-10	127 -11
AN960-10	127 -16
AN960-10	127 -66

PART NUMBER	FIGURE AND INDEX NO.
AN960-10	127 -68
AN960-10	127A-25
AN960-10	127A-31
AN960-10	127A-77
AN960-10	127A-79
AN960-10	127A-82
AN960-10	128 -58
AN960-10L	3 -48
AN960-10L	3 -52
AN960-10L	4 -84
AN960-10L	12 -61
AN960-10L	16 -39
AN960-10L	16A-43
AN960-10L	19 - 8
AN960-10L	19 -13
AN960-10L	19 -32
AN960-10L	20 -65
AN960-10L	31 -19
AN960-10L	31 -25
AN960-10L	31 -29
AN960-10L	32 -10
AN960-10L	32 -18
AN960-10L	33 -37
AN960-10L	33 -61
AN960-10L	38A-23
AN960-10L	40 - 8
AN960-10L	40 -13
AN960-10L	40A-11
AN960-10L	40A-18
AN960-10L	41 - 6
AN960-10L	41 - 7
AN960-10L	41 -24
AN960-10L	43 - 3
AN960-10L	44 - 3
AN960-10L	46 -33
AN960-10L	50 -13
AN960-10L	52 - 9
AN960-10L	52 -37
AN960-10L	53 - 9
AN960-10L	54 -18
AN960-10L	54 -46
AN960-10L	55 - 8
AN960-10L	57 -11
AN960-10L	57 -32
AN960-10L	57 -36
AN960-10L	63 - 5
AN960-10L	71 -17
AN960-10L	71 -20
AN960-10L	71 -25
AN960-10L	71 -46
AN960-10L	71 -47
AN960-10L	72 -17
AN960-10L	72 -22
AN960-10L	72 -23
AN960-10L	74 -54
AN960-10L	86 -13
AN960-10L	87 -34
AN960-10L	87 -36
AN960-10L	90 -22
AN960-10L	90 -29
AN960-10L	90 -30
AN960-10L	91 -22
AN960-10L	91 -29
AN960-10L	91 -34
AN960-10L	96A-14
AN960-10L	97 -49
AN960-10L	98 - 4
AN960-10L	98 -44
AN960-10L	98A-45
AN960-10L	98A-51
AN960-10L	100 -50
AN960-10L	100 -58
AN960-10L	100 -68
AN960-10L	100A-41
AN960-10L	100A-49

PART NUMBER	FIGURE AND INDEX NO.
AN960-10L	100A-59
AN960-10L	100A-67
AN960-10L	100A-78
AN960-10L	100B-38
AN960-10L	101 -27
AN960-10L	101A- 7
AN960-10L	101A-26
AN960-10L	102 - 4
AN960-10L	102 - 9
AN960-10L	102 -14
AN960-10L	109 -45
AN960-10L	110 -65
AN960-10L	110B-37
AN960-10L	111 -45
AN960-10L	115 - 1
AN960-10L	117 - 5
AN960-10L	117A- 4
AN960-10L	126A-56
AN960-10L	126A-72
AN960-2	15 -42C
AN960-4	3 -50
AN960-4	12 -86
AN960-4	40A-14
AN960-4	92 -35
AN960-4L	15 -40
AN960-4L	57 -39
AN960-4L	100 -30
AN960-416	3 - 5
AN960-416	7 - 2
AN960-416	10 - 2
AN960-416	11 - 2
AN960-416	11 -55
AN960-416	12 - 2
AN960-416	24 -15
AN960-416	29 -17
AN960-416	29 -22
AN960-416	34 - 6
AN960-416	38 -34
AN960-416	71 - 6
AN960-416	72 - 6
AN960-416	95 -20
AN960-416	96 -13
AN960-416	96 -17
AN960-416	96 -37
AN960-416	97 -15
AN960-416	97 -41
AN960-416	98 -17
AN960-416	98 -48
AN960-416	100 -21
AN960-416	100 -33
AN960-416	100 -64
AN960-416	100 -76
AN960-416	100A-26
AN960-416	100A-55
AN960-416	101 -31
AN960-416	106 -21
AN960-416	117A-16
AN960-416	128 - 7
AN960-416D	97 -24
AN960-416D	107A- 2
AN960-416L	32 -14
AN960-416L	33 - 5
AN960-416L	33 -20
AN960-416L	33 -51
AN960-416L	33 -57
AN960-416L	33 -70
AN960-416L	33 -76
AN960-416L	36 -38
AN960-416L	37 -25
AN960-416L	39 -30
AN960-416L	40 - 4
AN960-416L	90 -16
AN960-416L	91 -16
AN960-416L	98A- 7A
AN960-416L	100A-72

PART NUMBER	FIGURE AND INDEX NO.
AN960-416L	106 -22
AN960-416L	111 - 5
AN960-416L	117 -16
AN960-416L	122 -20
AN960-416L	126A-68
AN960-416L	128 -47
AN960-516	9 - 3
AN960-516	9A- 3
AN960-516	37 - 5
AN960-516	80 -25
AN960-516	95 -38
AN960-516	95 -53
AN960-516	96 -30
AN960-516	98 -12C
AN960-516	100 -18
AN960-516	100 -26
AN960-516	100A-16
AN960-516	100A-21
AN960-516	100A-82
AN960-516L	29 -33
AN960-516L	31 -12
AN960-516L	33 - 2
AN960-516L	33 -22
AN960-516L	40A- 6
AN960-516L	96 -42
AN960-516L	117A-22
AN960-6	12 -83
AN960-6	41 - 5
AN960-6	42 -30
AN960-6L	13 -13
AN960-6L	15 -40
AN960-6L	38A-15
AN960-616	9 - 4
AN960-616	9A- 4
AN960-616	31 - 5
AN960-616	100 -36
AN960-616	100A-28
AN960-616	118 -29
AN960-616L	31 - 3
AN960-616L	31 - 5
AN960-616L	31 -21
AN960-616L	42 -13
AN960-616L	54 -31
AN960-616L	118 -32
AN960-716	71 - 2
AN960-716	123 - 6
AN960-716	123 - 7
AN960-716L	40A- 4
AN960-716L	71 - 2
AN960-8	12 -83
AN960-8	38A- 5
AN960-8	58 -99A
AN960-8	58A-92
AN960-8	58B-81
AN960-8	89 -10
AN960-8L	32 - 4
AN960-8L	41 -20
AN960-8L	73 -25
AN960-8L	74 -31
AN960-8L	90 -11
AN960-8L	91 -11
AN960-8L	127 -20
AN960-8L	127 -21
AN960-8L	127 -73
AN960-8L	127A-37
AN960-8L	127A-38
AN960-8L	127B- 3
AN960-816	3 - 8
AN960-816L	42 -37
AN960C10L	42 -23
AN960C10L	79 -23
AN960C1216	79 -13
AN960C416	79 - 9
AN960C416L	57 -28
AN960C416L	62 -14

PART NUMBER	FIGURE AND INDEX NO.
AN960C416L	80 - 6
AN960C416L	126B- 7
AN960C6	126B-10
AN960C616	14 -28
AN960C616	79 -18
AN960C616	79 -40
AN960C616L	14 -28
AN960C616L	36 -15
AN960C616L	79 - 2
AN960C616L	79 -10
AN960C8	126B-22
AN960D10	36 -21
AN960D10	46 - 7
AN960D10	71 -38
AN960D10	72 -27
AN960D10	78 -19
AN960D10	92 -15
AN960D10	103 -48
AN960D10L	45 - 9
AN960D10L	109 -12
AN960D1216	46 -23
AN960D1216L	104 - 5
AN960D1216L	104A- 4
AN960D1216L	104A-11
AN960D1216L	105 -13
AN960D21	78 - 8A
AN960D416L	97 -13
AN960D416L	97 -23
AN960D516	71 -42
AN960D516	71 -60
AN960D516	72 -43
AN960D516	72 -48
AN960D516	72 -53
AN960D516	74 - 7
AN960D516	90 -26
AN960D516	91 -26
AN960D516L	74 - 6
AN960D616	53 -30
AN960D716	71 -52
AN960D716	79 -36
AN960D716	109 -22
AN960D716L	104 -13
AN960D716L	104A-20
AN960D716L	104A-60
AN960D716L	107 -31
AN960D8	64 -12
AN960D916	110 -46
AN960D916	110B- 8
AN960D916L	104 -22
AN960D916L	104 -24
AN960D916L	104 -27
AN960D916L	104 -36
AN960D916L	104 -38
AN960D916L	104A-34
AN960D916L	104A-36
AN960D916L	104A-39
AN960D916L	104A-47
AN960D916L	104A-49
AN960PD10	64 - 6
AN960PD10	74 -28
AN960PD10	92 -25
AN960PD10	121 -13
AN960PD10L	19 -20
AN960PD1216	111 -14
AN960PD2	15 -52
AN960PD2	70 -46
AN960PD2	95 -30
AN960PD21	12 -54
AN960PD3L	70 -52
AN960PD4	129C-18
AN960PD416L	56 -15
AN960PD616	92 - 3
AN960PD616	92 - 7
AN960PD616	96B- 4
AN960PD616	96B-32

PART NUMBER	FIGURE AND INDEX NO.
AN960PD616	117 -29
AN960PD616	117 -32
AN960PD616	117A- 8
AN960PD616	117A-27
AN960PD616	117A-28
AN960PD616	117A-31
AN960PD716	108 - 9
AN960PD716	109 - 9
AN960PD716	117 - 1
AN960PD716	117 - 9
AN960PD716	117 -34
AN960PD716	117A- 1
AN960PD716	117A- 2
AN960PD716	117A-38
AN960PD716	119 - 5
AN960PD716	119 - 6
AN960PD716	120 - 7
AN960PD716	120 -14
AN960PD716	120 -17
AN960PD716	122 - 1
AN960PD716	122 -17
AN960PD716	122 -18
AN960PD716	117 - 2
AN960PD716L	108 -22
AN960PD716L	109 - 3
AN960PD916	111 -42
AN960PD916	111 -49
AN96010L	89 -24
AN960416D	107 - 2
AN970-3	49 -28
AN970-3	49 -31
AN970-3	65 - 9
AN970-3	66 -10
AN970-3	71 -39
AN970-3	72 -26
AN970-3	134 - 6
AN970-5	62 - 9
AN970-5	62 -23
AN970-7	111 -18
A1257A	3 -33
A1257A	3 -34D
A1280-2	3 -31
A1280-2	3 -34E
A1280-3	3 -31
A1280-3	3 -34E
A1580	67 -19
A1580	68 -11
A1633-12	67 -33
A1633-12	68 -28
A1633-13	67 -15
A1633-3	67 - 3
A1633-3	68 - 3
A1633-30	68 -17
A1633-36	82 - 5
A1633-9	67 -40
A1633-9	67 -45
A1633-9	68 -36
A1633-9	68 -41
A1634-5	67 -21
A1634-5	68 -14
A1635-16	67 - 5
A1635-17	67 - 5
A1635-18	67 - 5
A1635-19	67 - 5
A1635-21	67 - 5
A1635-22	67 - 5
A1635-27	67 - 9
A1635-36	68 - 5
A1635-40	68 - 5
A1635-43	67 -29
A1635-43	68 -24
A1635-56	68 - 5
A1635-57	68 - 5
A1635-6	68 -46
A1636-6	67 -12

PART NUMBER	FIGURE AND INDEX NO.
A1636-7	67 -35
A1636-7	68 -30
A1638-15	68 -47
A1638-2	65 - 2
A1638-2	66 - 4
A1638-2	67 - 2
A1638-2	68 - 2
A1638-5	67 -10
A1638-9	67 -30
A1638-9	68 -25
A1639-2	65 - 3
A1639-2	66 - 5
A1639-2	67 - 1
A1639-2	68 - 1
A1934	67 -40
A1935	67 -42
A1936	67 -41
A1937	67 -44
A1937	68 -40
A1938	67 -31
A1938	68 -26
A1958	67 - 7
A1958	68 - 8
A20022	82 -27
A20026	82 -34
A20027	82 -35
A20034	82 - 9
A20037	82 -14
A20039	82 - 7
A20063	82 -23
A20064	82 -24
A20067	82 -13
A20068	82 -19
A20069-1	82 -17
A20070	82 -25
A20071	82 -15
A20072	82 -26
A20076	82 -28
A20078	82 -29
A20079	82 -30
A20081	82 -31
A20083	82 -11
A20084	82 -21
A20086	82 -16
A2108	67 -36
A2108	68 -31
A2109-3	30 - 8
A2230	67 -48
A2230	68 -44
A2351	67 -34
A2351	68 -29
A2356	67 -27
A2356	68 -22
A2423	67 - 4
A3047	65 - 4
A3047	66 - 3
A3047	67 -47
A3047	68 -43
A3047-30	67 -47
A3047-30	68 -43
A3047-45	67 -47
A3047-47	68 -43
A3100	67 -17
A3110	67 -16
A3110	68 -15
A3124	67 -38
A3124	68 -32
A3125	67 -37
A3125	68 -33
A3149	67 -18
A3217	67 -26
A3530	68 - 4
A3543	68 -10
A3547	67 -40
A3549	67 -42

PART NUMBER	FIGURE AND INDEX NO.
A3556	68 -34
A39070	37 -13
A4513-1	30 - 6
A505-CDD	110B- 2
A509-10R14	128 -36
A6052-832-3	83 - 8
A6052-832-3	84 -10
A6162-8Z1	3 -63
A6162-8Z3	4 -93
A6162-8Z3	5 - 7
A6162-8Z3	5 -16
A6162-8Z3	5 -31
A6162-8Z3	13 - 8A
A6162-8Z3	20 -34
A6163-8Z3	4 -89
A6163-8Z3	4 -93
A6163-8Z3	14 -24
A6191-6Z1	16 -64
A6191-6Z1	16 -85
A6191-6Z1	16A-77
A6191-6Z1	16A-88
A6191-6Z3	18 - 3
A6191-6Z3	20 -55
A6191-6Z3	20 -56
A6191-6Z3	29 -24
A6191-8Z3	4 - 5
A6191-8Z3	4 - 7
A6191-8Z3	5 - 3
A6191-8Z3	20 -37
A6191-8Z3	23 -15
A6191-8Z3	25 -46
A6194-8Z3	28 -38
A61948Z3	4 - 9
A6195-10Z1	23 - 6
A6195-8Z1	3 -63
A6195-8Z3	4 -53
A6195-8Z3	9 -31
A6195-8Z3	9A-30
A6195-8Z3	11 - 9
A6195-8Z3	20 -22
A6195-8Z3	20 -24
A6195-8Z3	20 -24
A6195-8Z3	23 - 4
A6195-8Z3	23 -35
A6195-8Z3	28 -39
A6196-10Z1	23 - 6
A6196-8Z3	9 -31
A6196-8Z3	9A-30
A6196-8Z3	11 -10
A6196-8Z3	14 -25
A6196-8Z3	20 -22
A6196-8Z3	25 -21
A6201-8Z3	20 -24
A6201-8Z3	23 -36
A6203-8Z3	21 -22
A7512-12	3 -32
A7512-12	3 -34C
A8002	95 -26
A8006	95 -26
A8580-10Z3	17 -24A
A8580-8Z3	14 -12
A900-10	74 -35
B 59	102 -12
BRA 6	33 -12
BRE3700	39 -40
BS18ATC35	36 -35
B128X	121 -10
B1612X	121 - 9
B1965	67 -32
B20040	82 -18
B20055	82 - 6
B20060	82 -22
B20066	82 -12
B20074	82 - 4
B20077	82 -32

PART NUMBER	FIGURE AND INDEX NO.
B20082	82 -33
B20085-2	82 - 5
B228	95 - 6
B2345	67 -39
B2345	68 -35
B2417	67 - 8
B2420-4	67 -13
B2420-6	67 -13
B2421-10	67 -14
B2421-12	67 -14
B2421-14	67 -14
B2421-16	67 -14
B2421-18	67 -14
B2421-20	67 -14
B2421-8	67 -14
B2422-1	67 -11
B3099	66 - 2
B3099	67 -46
B3099	68 -42
B3216	67 -25
B3470-2	68 -19
B3478	68 -20
B3491	68 - 9
B3503	68 - 6
B3526	67 -32
B3526	68 -27
B3529	68 -38
B3531	68 -36
B3551	68 -21
B3557	68 -37
B59	95 - 3
B610	100 -45
B610	100 -65
B610	100A-36
B610	100A-56
CA2	59 -17
CA2	59A-16
CA2	59B-17
CES1109 CLASSIA	51A- 4
CES1109 CLASSIC	51A- 4
CES1109 CLASSIK	51A- 4
CFS1109 CLASSIV	51A- 4
CES1109CLASSIHI	51A- 4
CM2692-10-1S	25 -29
CM2692-12-3S	20 -99B
CM2692-15H1B	58B-34
CM2692-15H1B	58A-32
CM2692-24-1H	85 -33
CM2692-8H1B	58B-35
CM2692-8H1B	58A-33
CR163-4	43 -54
CR163-4-2	12 -18
CR163-4-2	12 -21
CR163-4-2	44 -37
CR163-4-4	43 -38
CR163-4-4	43 -47
CR163J	44 -43
CR43	115 -27
CR50	113 - 9
CR62	113 -18
CR763-4-2	8 -42
CR763-4-6	46 -13
CR763C4-4	11 -14
CS18	112 -32
CS43	121 -22
C1C2	1 - 1
C161005-0101	67 -
C161005-0102	67 -
C161006-0101	68 -
C161006-0103	68 -
C161006-0104	68 -
C161030-0103	82 -
C163001-0301	37 - 1
C163030-0303	37 -15
C163030-0304	37 -15

PART NUMBER	FIGURE AND INDEX NO.
C165001-0101	110 -41
C165001-0101	110B- 3
C165001-0102	110 -62
C165001-0102	110B-34
C165004-0101	80 -24
C165004-0101R	80 -24
C165004-0501	80 -24A
C165004-0501R	80 -24A
C165006-0101	80 - 5
C165006-0101R	80 - 5
C166001-0106	127 -57
C166001-0201	127 -57
C166001-0207	127 -57
C166001-0207	127A-69
C166001-0501	127 -57
C166001-0501	127A-69
C166002-0101	127 -58
C166002-0101	127A-70
C166002-0103	127 -61
C166002-0103	127A-71
C166002-0104	127 -59
C166002-0104	127A-73
C166005-0202	127 -85
C166005-0202	127A-92
C166005-0204	127 -85
C166005-0204	127A-92
C166005-0401	127 -88
C166005-0401	127A-95
C166005-0402	127 -88
C166005-0402	127A-95
C166005-0501	127 -85
C166005-0502	127 -85
C166005-0504	127 -86
C166005-0504	127A-93
C166005-0505	127 -86
C166005-0505	127 -91
C166005-0505	127A-93
C166005-0505	127A-98
C166005-0506	127 -91
C166005-0506	127A-98
C166006-0101	127 -27
C166006-0101	127A- 2
C166008-0101	127 -80
C166008-0101	127A-86
C166009-0401	127 -89
C166009-0401	127A-96
C166009-0501	127 -86
C166009-0501	127A-93
C166010-0101	127 -73
C166010-0101	127A-10
C166010-0102	127 -74
C166010-0102	127A-10
C166010-0103	127 -75
C166010-0103	127A-10
C166010-0105	127 -72
C17312-3	132 - 4
C17313	132 - 7
C17325	132 - 2
C17326	132 - 5
C17330	132 - 3
C17331-3	132 - 6
C1904	67 -28
C1904	68 -23
C1939	67 -43
C20057	82 - 1
C20073	82 - 3
C20075	82 -21
C253001-0101	43 -10
C253001-0101	46 -21
C262003-0102	37 - 1
C262003-0202	34 -12
C262003-0204	37 - 1
C262023-0101	34 -12
C291502-0101	108 - 1
C292501-0102	59 - 7

PART NUMBER	FIGURE AND INDEX NO.
C292501-0102	59A- 8
C292501-0102	59B- 8
C294501-0101	96B-27
C294501-0101	96B-52
C294501-0101	110 -31
C294501-0101	110A-18
C294501-0102	110 -33
C294501-0102	110A-19
C294501-0103	110 -34
C294501-0103	110A-20
C294505-0101	109 -30
C294505-0102	109 -31
C295001-0101	79 - 1
C2987	67 -20
C2987	68 -12
C2987-1	67 -22
C2987-1	68 -13
C2987-2	67 -23
C2987-2	68 -16
C301001-0203	100 -35
C301001-0204	100 -38
C301001-0204	100A-30
C301001-0205	100 -35
C301001-0205	100A-27
C301001-0206	100 -35
C301001-0206	100A-27
C301001-0208	100 -39
C301001-0208	100A-31
C301001-0210	100 -39
C301001-0210	100A-31
C301001-0211	100 -37
C301001-0211	100A-29
C3054	67 -20
C3092	67 -24
C3111	68 -12
C3493	68 -18
C3498	68 -45
C3548	67 -43
C431001-0101	110 -40
C431001-0101	110B- 1
C482001-0101	110 -44
C482001-0101	110B- 6
C482001-0102	110 -44
C482001-0102	110B- 6
C482002-0101	72 -40A
C590501-0201	100 -40
C592001-0101	3 -69
C592001-0101	10 -28
C592001-0101	12 -83
C594501-0101	132 -15
C594501-0201	132 -16
C611001-0101	76 -14
C611001-0101	128 -11
C61101-0101	75 -13
C611501-0101	130 - 1
C613001-0201	128 -58
C621001-0103	132 -
C622001-0102	30 - 3
C622001-0104	30 - 7
C622001-0202	3 -34A
C65-2CW12	60 - 4
C65-2CW12	60 - 7
C65-2CW12	60 -12
C65-2CW12	60A- 4
C65-2CW12	60A- 7
C65-2CW12	60A-12
C65-2CW12	60B- 5
C65-2CW12	60B- 8
C65-2CW12	60B-12
C65-2CW12	60B-13
C65-2R12	129B-31
C660501-0101	64 - 8
C661001-0201	58 -30
C661001-0201	110 - 3
C661001-0201R	58 -30

PART NUMBER	FIGURE AND INDEX NO.
C661001-0201R	110 - 3
C661001-0501	58A-13
C661001-0501	58B-15
C661001-0501	110A- 1
C661001-0502	58A-13
C661001-0502	58B-15
C661001-0502	110A- 1
C661001-0503	58A-13
C661001-0503	58B-15
C661001-0503	110A- 1
C661001-0504	58A-13
C661001-0504	58B-15
C661001-0504	110A- 1
C661002-0201	58 -29
C661002-0201	110 - 1
C661002-0201R	58 -29
C661002-0201R	110 - 1
C661002-0301	58B-16
C661002-0301	110A- 3
C661002-0501	58A-14
C661002-0501	58B-16
C661002-0501	110A- 3
C661002-0502	58A-14
C661002-0502	58B-16
C661002-0503	58A-14
C661002-0503	58B-16
C661002-0503	110A- 3
C661003-0201	110A-12
C661003-0501	58B-14
C661010-0208	58 -18
C661010-0208	58A- 7
C661010-0208	58B- 9
C661010-0602	58 -17
C661010-0602	58A- 6
C661010-0602	58B- 8
C661011-0105	58 -23
C661011-0105	58A-17
C661011-0105	58B-19
C661011-0106	58 -23
C661011-0106	58A-17
C661011-0106	58B-19
C661011-0201	58 -23
C661011-0201	58A-17
C661011-0201	58B-19
C661011-0202	58 -23
C661011-0202	58A-17
C661011-0202	58B-19
C662001-0101	58A-20
C662001-0102	58 -31
C662001-0103	58 -31
C662001-0105	58A-20
C662001-0202	58B-22
C662001-0203	58B-22
C664501-0101	58 -29A
C664501-0101	58A-23
C664501-0101	58B-25
C668001-0104	58 -33
C668002-0101	3 -51
C668002-0102	3 -51
C668201-0203	58B-24
C668501-0201	58 -54
C668501-0201	58A-22
C668501-0201	58B-24
C668501-0203	58 -54
C668501-0203	58A-22
C668501-0204	73 -60
C668501-0204	74 -36
C668507-0101	64 -10
C668507-0102	64 -10
C669502-0202	58 -34
C669502-0202	58A-24
C669502-0202	58B-26
C7000-632-67	58 -55

PART NUMBER	FIGURE AND INDEX NO.
C7000-632-67	58A-22
C7000-632-67	58B-24
C733001-0101	49 -34
C733001-0103	49 -35
C847CR	58 -66
C847C2G	58 -66
D3223/90AT8	67 - 6
D3496	68 -39
D3521	67 -49
D3522	67 -45
D3541	68 -41
D3542/82NK2	68 - 7
D3546/90AT8	67 - 6
D3663/82NC2	68 - 7
EC1239A-B	1 -10
EC13COL	1 - 3
EC1675A-B	1 -14A
EC776	1 -12
EC880	1 - 2
EQ5914	73 -44
E13-00M	128 -18
E33-10K	100 -90
E33-10K	100B-13
E3497	68 -48
FGD2475-50	63 - 2
FC6446	37 -26
FRL5-2	60 -10
FTC-750J	98A-18
F34-14	124 -20
F391-100-1F	5 -29
F44-14S	95 -22
G03-703-09	36 -35
G442702	58 -37
G442702	58A-27
G442702	58B-29
G442786	109 -25
G444619	58 -38
G444619	58A-28
G444619	58B-30
G444619	109 -24
G818827	58 -39
G818827	58A-29
G818827	58B-31
HE1091-1	111 -21
HE1251	107 -20
HE1251	107A-20
HE1285	107 -21
HE1285	107A-21
HE1286	107 -23
HE1286	107A-23
HE1328	107 - 3
HE1328	107A- 3
HE1331	107 -15
HE1331	107A-15
HE1332	107 -17
HE1332	107A-17
HE1646-1	111 -20
HE1647	111 -29
HE1648-1	111 -26
HE1649-1	111 -22
HE189	107 - 6
HE189	107A- 6
HE191	107 -18
HE191	107A-18
HE194	107 - 5
HE194	107A- 5
HE646-1	79 -24
HE764	107 -
HE764	107A-
HE792-1	5 -29
HS49673P5001	58 - 2
HS49673P5001	58 - 4
HS49673P5001	58A- 2
HS49673P5001	58A- 4
HS49673P5001	60 - 2

PART NUMBER	FIGURE AND INDEX NO.
HS49673P5001	60 - 6
HS49673P5001	60A- 2
HS49673P5001	60A- 6
H10-4	126B- 7
H19000-3	22 - 7
H19000-3	22 -10
ID1757	134 - 9
I0520A	73 -
I0520J	73 -
JV-5	100 -90
JV-5	100A-85
JV-5	100B-16
J12453-1	71 - 9
J12453-1	72 - 8
J12453-2	71 - 9
J12453-2	72 - 8
J2005-2	130 - 6
J2049-1D	58 - 9
J9534-20	130 - 4
J9534-20	130 -13
KM610-51	69 - 8
KM610-51	69 -12
KM610-51	70 - 5
KM610-51	70 -13
KN050809	95 - 3
K19001-3	22 - 7
K19001-3	22 -10
LHSSV9	36 -35
LP4-20AM	37 -28
L4858-1	58 -40
L4858-1	58A-39
L4858-1	58B-42
MKN1304-4H	36 -38
MKN1304-4H	120 -25
MGR-20-2	128 -22
MS100009	81 -16
MS100009	82 -36
MS122028	112 -15
MS122028	115 -13
MS124663	109 -41
MS134354	113 -43
MS134356	113 -28
MS134356	115 -30
MS150453	124 - 9
MS150455	118 -12
MS150457	113 -23
MS15584-2	131 - 3
MS16562-15	57 -25
MS16562-16	90 -20
MS16562-16	91 -20
MS16562-18	118 -20
MS16624-137	95 - 8
MS16624-25	106 - 8
MS16624-81	99 - 5
MS16625-106	111 -23
MS16625-143	35 - 8
MS171527	113 -61
MS171528	112 -24
MS171534	115 - 3
MS171534	115 - 5
MS171586	112 -36
MS20002C6	36 - 3
MS20036-5	79 - 2
MS20036-7	79 - 3
MS20074-03-05	3 -52
MS20074-03-3	71 -16
MS20074-03-3	72 -16
MS20074-03-3	106 - 1
MS20074-03-7	79 -17
MS20074-03-7	79 -39
MS20074-05-13	130 -14
MS20200KP4	12 -87
MS20200KP4	97 -18
MS20220-2	96 -23
MS20220-2	96 -28

PART NUMBER	FIGURE AND INDEX NO.
MS20220-2	96 -39
MS20220-2	100 -16
MS20220-2	100 -19
MS20220-2	100A-14
MS20220-2	100A-81
MS20220-3	96 -22
MS20230B20	85 -19
MS20230B20	85 -27
MS20230B20	86 -17
MS20230B20	86 -24
MS20253-2-2.65	49 -29
MS20253-2-2.65	49 -32
MS20253-2-206	15 -40
MS20253-2-2981	20 -39
MS20253-2-2981	39 - 3
MS20253-2-4.04	69 -15
MS20253-2-4.04	70 - 8
MS20253-2-502	39 - 8
MS20253-2-646	61 -10
MS20364-720C	36 -11
MS20364-832C	43 -62
MS20364-832C	44 -51
MS20365-1032C	38A-28
MS20365-632C	126B-11
MS20365-820C	3 - 9
MS20365B632C	58A-22
MS20365B632C	58B-24
MS20392-1C17	40A- 9
MS20392-1C17	42 -30
MS20392-1C17	54 -21
MS20392-1C17	63 - 4
MS20392-1C19	41 - 4
MS20392-1C21	42 -49
MS20392-1C21	52 - 1
MS20392-1C21	52 -42
MS20392-1C21	53 - 1
MS20392-1C21	55 - 1
MS20392-1C21	55 -33
MS20392-1C21	57 - 1
MS20392-1C33	45 - 2
MS20392-1C39	3 -50
MS20392-1C39	46 - 2
MS20392-1C5	98 -25
MS20392-1C7	15 -40
MS20392-1C7	45 -23
MS20392-1C9	41 - 5
MS20392-1C9	52 -49
MS20392-1C9	55 -39
MS20392-1C9	57 -24
MS20392-2C11	41 - 6
MS20392-2C11	42 -44
MS20392-2C11	100B-38
MS20392-2C15	93 -14
MS20392-2C15	93 -33
MS20392-2C17	40 - 7
MS20392-2C17	41 - 7
MS20392-2C17	42 -24
MS20392-2C17	42 -29
MS20392-2C17	53 -17
MS20392-2C17	54 -15
MS20392-2C19	42 -41
MS20392-2C39	42 -23
MS20392-2C45	3 -47
MS20392-2C45	52 -40
MS20392-2C45	45 - 7
MS20392-3C11	87 -34
MS20392-4C13	92 -40
MS20397-1C17	40A-13
MS20450C8-20	43 -14
MS20450C8-20	44 -13
MS20615-4M10	43 -59
MS20615-4M10	44 -48
MS20822-2D	73 -24
MS20822-4	80 -13
MS20822-4D	73 - 7

PART NUMBER	FIGURE AND INDEX NO.
MS20822-4D	74 -15
MS20822-4D	108 -27
MS20822-4D	109 - 1
MS20822-4D	109 - 6
MS20822-4D	109 -30
MS20822-4D	108 -25
MS20822-8	104A- 5
MS20822-8D	79 -50
MS20823-4D	37 -27
MS20823-4D	110 -26
MS20823-4D	110A-11
MS20823-6D	110 -37
MS20823-6D	110 -86
MS20823-6D	110A-15
MS20823-8	80 -43
MS20823-8	110 -81
MS20823-8	110B-61
MS20823-8D	104 - 3
MS20823-8D	105 - 2
MS20825-6D	110A-26
MS20826-4D	73 -12
MS20826-4D	127 -38
MS20826-4D	127A-47
MS20826-4D	127A-55
MS20826-6D	110 -29
MS20826-6D	110 -38
MS20826-6D	110A-13
MS20826-8	110B-70
MS20913-1	104 -18
MS20913-1	104A-30
MS20913-1D	110 -30
MS20913-1D	110A-14
MS20913-2D	110A-14
MS21042-4	42 -54
MS21045-08	58 -96
MS21045-08	58 -99B
MS21045-08	58A-88
MS21045-08	58A-93
MS21045-08	58B-77
MS21045-08	58B-82
MS21913D3	116 -19
MS21919-5	126B-26
MS21919-6	111 -51
MS21919DGL3	79 -47
MS21919DG3	90 -33
MS21919DG3	91 -32
MS21919DG3	92 - 2B
MS21919DG3	92 -11
MS21919DG3	120 -21
MS21919DG3	127 -19
MS21919DG36	74 -53
MS21919DG4	36 -20
MS21919DG4	90 -31
MS21919DG4	90 -32
MS21919DG4	91 -30
MS21919DG4	91 -31
MS21919DG4	92 -14
MS21919DG4	127 -51
MS21919DG4	127A-65
MS21919DG5	71 -23
MS21919DG5	72 -23
MS21919DG5	72 -35
MS21919DG5	73 -37
MS21919DG5	87 -28
MS21919DG5	87 -29
MS21919DG5	108 -13
MS21919DG6	100B-32
MS21919DG6	103 -19
MS21919DG6	104 -49
MS21919DG6	104A-58
MS21919DG6	128 -25
MS21919DG7	79 -27
MS21919DG7	79 -34
MS21919DG7	108 -14
MS21919DG7	109 - 5

PART NUMBER	FIGURE AND INDEX NO.
MS21919DG8	71 -29
MS21919DG8	73 -25
MS21919DG8	73 -27
MS21919DG8	73 -35
MS21919DG8	73 -38
MS21919DG8	74 -31
MS21919DG8	108 -13
MS21919DG8	110 -58
MS21919DG8	110 -72
MS21919DG8	111 -11
MS21919DG8	111 -12
MS21919DG8	110B-30
MS21919DG8	110B-48
MS21919D7	104 - 8
MS21919D7	104A-16
MS2392-1C11	100 - 6
MS2392-1C11	100 -15
MS2392-1C11	100A- 2
MS2392-1C11	100A- 5
MS24461-4	4 -43
MS24461-4	4 -47
MS24461-4	4 -52
MS24461-4	9 -23
MS24461-4	9A-24
MS24461-4	12 -88
MS24461-4	97 -17
MS24510-3	98A-57
MS24665-131	98A-56
MS24665-132	3 -49
MS24665-132	3 -50
MS24665-132	15 -40
MS24665-132	38 -27
MS24665-132	38A-10
MS24665-132	40 -10
MS24665-132	40A-12
MS24665-132	40A-15
MS24665-132	41 - 4
MS24665-132	41 - 5
MS24665-132	41 - 6
MS24665-132	41 - 7
MS24665-132	42 -23
MS24665-132	42 -24
MS24665-132	42 -29
MS24665-132	42 -30
MS24665-132	42 -43
MS24665-132	42 -49
MS24665-132	45 - 3
MS24665-132	45 - 8
MS24665-132	45 -24
MS24665-132	52 -40
MS24665-132	52 -50
MS24665-132	53 -17
MS24665-132	54 -15
MS24665-132	54 -21
MS24665-132	54 -38
MS24665-132	55 -39
MS24665-132	57 -24
MS24665-132	87 -34
MS24665-132	90 -17
MS24665-132	91 -17
MS24665-132	92 -38
MS24665-132	93 - 5
MS24665-132	93 -15
MS24665-132	93 -33
MS24665-132	96 -34
MS24665-132	97 -31
MS24665-132	97 -44
MS24665-132	97 -55
MS24665-132	97 -62
MS24665-132	98 -25
MS24665-132	98 -35
MS24665-132	98 -40
MS24665-132	98 -49C
MS24665-132	100 - 8
MS24665-132	100 -30

PART NUMBER	FIGURE AND INDEX NO.
MS24665-132	100A-13
MS24665-132	100B-38
MS24665-132	101 -23
MS24665-132	102 - 6
MS24665-132	102 -11
MS24665-132	106 -18
MS24665-132	127A-39
MS24665-134	33 -51
MS24665-134	33 -59
MS24665-134	33 -63
MS24665-134	39 -27
MS24665-134	40 -16
MS24665-134	54 -36
MS24665-134	83 -21
MS24665-134	96 - 5
MS24665-134	96 - 9
MS24665-134	96A-12
MS24665-134	96A-20
MS24665-134	97 -10
MS24665-134	97 -27
MS24665-134	98 -69
MS24665-134	100 - 6
MS24665-134	100 -15
MS24665-134	100A- 2
MS24665-134	100A- 5
MS24665-134	100A-80
MS24665-134	101 - 5
MS24665-134	101 -11
MS24665-134	101 -36
MS24665-134	101A-22
MS24665-134	117 - 4
MS24665-134	117 - 5
MS24665-134	122 -27
MS24665-136	31 -14
MS24665-136	95 -39
MS24665-136	95 -54
MS24665-136	98 -60
MS24665-136	98A-47
MS24665-136	117 -26
MS24665-136	117A-25
MS24665-138	55 - 1
MS24665-140	100 -78
MS24665-143	97 -69
MS24665-143	101 -16
MS24665-151	46 - 3
MS24665-151	52 - 1
MS24665-151	53 - 1
MS24665-151	57 - 1
MS24665-151	63 - 6
MS24665-151	115 -10
MS24665-151	115 -18
MS24665-214	79 -12
MS24665-22	20 -39
MS24665-22	39 - 4
MS24665-24	97 - 5
MS24665-281	92 -41
MS24665-283	97 -79
MS24665-283	100 -36
MS24665-283	100 -83
MS24665-283	100 -88
MS24665-283	100A-28
MS24665-285	31 - 6
MS24665-285	93 - 4
MS24665-285	96 -38
MS24665-285	96 -44
MS24665-285	101A-29
MS24665-292	100A-38
MS24665-294	100 -46
MS24665-295	100 -47
MS24665-295	100A-37
MS24665-351	36 -31
MS24665-355	100A-18
MS24665-360	100 -23
MS24665-360	100 -74
MS24665-5	54 -31

PART NUMBER	FIGURE AND INDEX NO.
MS24665-71	95 -59
MS24665-71	95 -68
MS24665-71	96 - 1
MS25041-3	58A-97
MS25041-3	58B-91
MS25041-3	126A-74
MS25237-330	58B-91
MS25237-330	126A-74
MS25237-330	129B-32
MS25237-336	58A-97
MS25253-1	100 -90
MS25253-1	100A-85
MS25253-1	100B-13
MS27404-12	110 -57
MS27404-12	110B-29
MS28-775213	121 -18
MS28774-11	124 -18
MS28774-111	118 -22
MS28774-111	124 -11
MS28774-112	118 - 9
MS28774-112	124 - 5
MS28774-113	118 -16
MS28774-15	113 -44
MS28774-18	124 -15
MS28775-006	113 -52
MS28775-006	114 -20
MS28775-008	114 -18
MS28775-009	113 -59
MS28775-010	113 - 4
MS28775-010	116 -20
MS28775-011	113 -21
MS28775-011	113 -34
MS28775-011	114 - 3
MS28775-011	114 -11
MS28775-011	115 -29
MS28775-011	124 -17
MS28775-011	113 -11
MS28775-012	113 -31
MS28775-013	114 -12
MS28775-013	121 -23
MS28775-013	113 -12
MS28775-014	113 -49
MS28775-015	113 -45
MS28775-015	113 -48
MS28775-016	113 -27
MS28775-016	114 -10
MS28775-018	114 - 7
MS28775-018	124 -14
MS28775-021	115 -25
MS28775-111	124 -10
MS28775-112	124 - 4
MS28775-113	82 -20
MS28775-114	115 -24
MS28775-115	115 -32
MS28775-135	121 -20
MS28775-257	113 - 7
MS28775-327	121 -19
MS28776-3	115 -23
MS28777-4	112 - 7
MS28777-6	112 -11A
MS28778-10	126A-61
MS28778-3	111 -38
MS28778-3	113 -62
MS28778-3	117 -28
MS28778-3	117 -31
MS28778-3	117A-30
MS28778-3	119 - 6
MS28778-4	80 -16
MS28778-4	80 -23
MS28778-4	92 -18
MS28778-4	92 -19A
MS28778-4	94 -13
MS28778-4	109 -27
MS28778-4	111 -30
MS28778-4	111 -32

PART NUMBER	FIGURE AND INDEX NO.
MS28778-4	111 -59
MS28778-4	112 - 5
MS28778-4	112 - 7
MS28778-4	112 - 8
MS28778-4	117 -20
MS28778-4	117A-17
MS28778-4	120 -13
MS28778-4	120 -20
MS28778-4	122 - 4
MS28778-4	122 - 7
MS28778-4	122 -14
MS28778-4	122 -16
MS28778-4	122 -17
MS28778-4	122 -18
MS28778-4	123 - 8
MS28778-4	123 - 9
MS28778-4	125 -15
MS28778-4	126 - 2
MS28778-6	80 - 9
MS28778-6	80 -28
MS28778-6	111 -48
MS28778-6	112 - 9
MS28778-6	112 -11A
MS28778-6	113 -33
MS28778-8	79 -43
MS28778-8	80 -35
MS28778-8	111 - 8
MS28778-8	111 -58
MS28782-22	35 - 9
MS28889-1	33 -24
MS29512-4	107 -34
MS29512-4	107 -37
MS29512-4	107 -44
MS29512-4	107A-31
MS29512-4	107A-34
MS29512-4	107A-39
MS29512-8	104A- 8
MS29512-8	105 - 4
MS29512-8	105 -11
MS29512-8	107 -30
MS29512-8	107 -39
MS29512-8	107 -41
MS29512-8	107A-30
MS29512-8	107A-37
MS29512-8	107A-42
MS29513-10	106 -16
MS29513-10	107 - 8
MS29513-10	107A- 8
MS29513-11	107 -16
MS29513-11	107A-16
MS29513-111	5 -29
MS29513-111	106 -13
MS29513-130	107 -12
MS29513-130	107A-12
MS29513-133	107 -25
MS29513-133	107A-25
MS29513-138	106 -11
MS29513-14	107 -22
MS29513-14	107A-22
MS29513-338	5 -26D
MS3057-4A	109 -12A
MS3057-6A	112 -12
MS3100A14S2P	112 -12
MS3106A10SL3S	96B- 1
MS3106A10SL3S	96B-29
MS35487-5S	122 -30
MS35487-7S	122 - 8
MS35489-11	72 -56
MS35489-11	111 -52
MS35489-11	126A-28
MS35489-115	26 -11
MS35489-118	14 -12
MS35489-118	26 - 7
MS35489-12	85 -46
MS35489-12	86 -14

PART NUMBER	FIGURE AND INDEX NO.
MS35489-12	86 -19
MS35489-12	111 -49
MS35489-12	126A-19
MS35489-125	3 -40
MS35489-134	106 -27
MS35489-134	106 -29
MS35489-134	111 -39
MS35489-134	131 -12
MS35489-135	128 - 9
MS35489-14	110 -60
MS35489-14	110B-33
MS35489-2	127A-41
MS35489-20	72 -59
MS35489-20	86 -28
MS35489-34	117 -18
MS35489-36	104 -14
MS35489-36	107 -32
MS35489-36	107 -35
MS35489-36	107 -42
MS35489-36	107A-32
MS35489-36	107A-35
MS35489-36	107A-40
MS35489-36S	104A-61
MS35489-4	72 -58
MS35489-4	98A-34
MS35489-4	134 - 4
MS35489-41	104 -25
MS35489-41	104A-37
MS35489-46	62 -11
MS35489-5	85 -20
MS35489-5	86 -23
MS35489-5	92 - 6
MS35489-6	64 - 7A
MS35489-6	72 -57
MS35489-6	85 -47
MS35489-6	103 -21
MS35489-6	109 -50
MS35489-6	120 - 6
MS35489-6	120 -12
MS35489-6	129 -16
MS35489-6	129A-16
MS35489-6	129B-16
MS35489-7	103 -16
MS35489-7	119 - 7
MS35489-7	120 -22
MS35489-7	127 -24
MS35489-7	127 -54
MS35489-7	127A-63
MS35489-9	104A-26
MS35849-11	71 -62
MS35849-20	71 -65
MS35849-4	71 -64
MS35849-6	71 -63
MS9021-038	75 -16
MS9021-038	76 -17
MS9025-02	111 -35
MS9058-03	117 -28
MS9058-03	117 -31
MS9058-03	117A-30
MS9058-04	111 -59
MS9058-04	117 - 8
MS9058-04	123 - 8
MS9058-04	123 - 9
MS9058-4	122 -14
MS9058D4	117A-10
MS9105-41	112 -34
MX25A	1 -14
M31AS832R8C	46 -27
M34-14	39 -39
M75FS1024-5CR	118 - 6
M781X	121 -11
NAS1022A8	42 -38
NAS1054-10-22	6 -12
NAS1054-10-27	6 -11
NAS1054-10-28	6 -12

PART NUMBER	FIGURE AND INDEX NO.
NAS1054-10-33	6 -10
NAS1054-10-33	6 -11
NAS1054-10-39	6 -10
NAS1054-10-44	6 - 9
NAS1054-10-45	6 - 8
NAS1054-10-51	6 - 8
NAS1054-38	6 - 9
NAS1054-6-3	17 -32
NAS1054-6-4	17 -33
NAS1054-6-5	22 -11
NAS1054-6-9	22 - 8
NAS1067A4	20 -38
NAS1080C6	6 -20
NAS1081-3A4	121 -17
NAS1086A3	18 - 7
NAS1303-14H	41 -12
NAS1303-7	14 - 4
NAS1303-7	22 - 6
NAS1303-8	14 - 5
NAS1303-8	22 - 5
NAS1329A06K75	3 -70
NAS1329A06K75	10 -29
NAS1329A08K75	3 -70
NAS1329A08K75	10 -29
NAS1446-4	6 -20
NAS145-31	42 - 4
NAS146-31	42 - 2
NAS146-39	36 - 3
NAS179-6	17 -32
NAS179-6	17 -33
NAS179-6	22 - 8
NAS179-6	22 -11
NAS220-10	49 -54
NAS220-14	95 -41
NAS220-16	43 -61
NAS220-16	44 -50
NAS220-22	95 -65
NAS220-5	25 -24
NAS220-5	25 -42
NAS220-5	43 -12
NAS220-5	44 -11
NAS220-6	9 -43
NAS220-6	9A-40
NAS220-6	10 -27
NAS220-6	25 -39
NAS220-6	25 -47
NAS220-7	6 -35
NAS220-7	87 -28
NAS220-7	87 -29
NAS220-7	96A- 4
NAS220-8	9 - 7
NAS220-8	9A- 7
NAS220-8	10 - 9
NAS220-8	10 -27
NAS220-8	19 - 1
NAS220-8	19 - 3
NAS220-8	19 - 4
NAS220-8	49 -53
NAS220-8	49 -56A
NAS220-9	6 -36
NAS220-9	15 -12
NAS220-9	19 - 5
NAS220-9	96A- 5
NAS221-10	14 -31
NAS221-10	23 -25
NAS221-10	62 - 4
NAS221-13	11 -57
NAS221-15	18 -13
NAS221-15	23 -25
NAS221-16	22 - 7
NAS221-5	15 -49
NAS221-5	18 -16
NAS221-5	93 -40
NAS221-5	95 -12
NAS221-6	15 -15

PART NUMBER	FIGURE AND INDEX NO.
NAS221-6	23 -29
NAS221-6	23 -31
NAS221-6	25 -44
NAS221-8	8 -14
NAS221-8	23 -25
NAS221-8	65 - 6
NAS221-8	66 - 7
NAS221-9	23 -29
NAS221-9	23 -31
NAS221C6	52 -67
NAS222-14	95 -67
NAS222-16	95 -18
NAS295-6	40 -11
NAS295-7	40A- 5
NAS388-10-16P	48 -14
NAS388-10-18P	48 -13
NAS395-11-3	100B-35
NAS395-12-3	11 -63
NAS395-14-3	7 -38
NAS395-14-3	8 -12
NAS395-14-3	11 -12
NAS395-14-3	23 - 5
NAS395-14-3	30 - 3
NAS395-17-3	3 -35
NAS395-6-3	30 - 5
NAS396-4-3	129 -15
NAS396-4-3	129A-15
NAS396-4-3	129B-15
NAS397-10	80 -30
NAS397-10	128 -26
NAS397-12	32 - 5
NAS397-12	74 -58
NAS397-12	80 -33
NAS397-12	110 -68
NAS397-12	110B-40
NAS397-14	80 -21
NAS397-16	74 -60
NAS397-16	104 - 9
NAS397-16	104A-14
NAS397-16	110 -53
NAS397-16	110B-20
NAS397-18	73 -17
NAS397-18	74 -20
NAS397-18	89 - 6
NAS397-2	80 -40
NAS397-28	73 -30
NAS397-28	74 -30
NAS397-28	74 -32
NAS397-28	89 - 2
NAS397-32	90 -36
NAS397-32	91 -43
NAS397-8	109 -46
NAS397-8	109 -48
NAS397-8	110 -27
NAS397-8	110A-24
NAS397-8	110A-29
NAS398-42	89 -35
NAS398-50	73 -44
NAS398-50	90 -40
NAS398-50	90 -42
NAS398-50	91 -45
NAS398-50	91 -48
NAS398-66	78 -27
NAS42HT6-8	93 - 9
NAS427K9	97 -75
NAS428-3-10	6 -18B
NAS428-3-7	6 -18A
NAS428-3-7	101 -37
NAS43DD1-9	108 -11
NAS43DD12-64	58 -47
NAS43DD12-64	58 -48
NAS43DD12-64	58A-41
NAS43DD12-64	58A-42
NAS43DD12-64	58B-43
NAS43DD12-64	58B-44

PART NUMBER	FIGURE AND INDEX NO.
NAS43DD3-12	45 -10
NAS43DD3-12	86 -13
NAS43DD3-12	104 -11
NAS43DD3-12	104A-18
NAS43DD3-14	50 -15
NAS43DD3-14	79 -22
NAS43DD3-14	101A-28
NAS43DD3-16	58 -97
NAS43DD3-16	58A-89
NAS43DD3-16	58B-78
NAS43DD3-16	60A- 6
NAS43DD3-18	58 - 8
NAS43DD3-21	127A-35
NAS43DD3-32	79 -48
NAS43DD3-32	90 -31
NAS43DD3-32	91 -30
NAS43DD3-32	126A-10
NAS43DD3-40	4 -84
NAS43DD3-48	129 -11
NAS43DD3-48	129A-11
NAS43DD3-48	129B-11
NAS43DD3-60	101A- 9
NAS43DD3-7	127A-24
NAS43DD3-70	129 -13
NAS43DD3-70	129A-14
NAS43DD3-70	129B-14
NAS43DD32	71 -58
NAS43DD4-16	58 - 2
NAS43DD4-16	58 - 4
NAS43DD4-16	58A- 2
NAS43DD4-16	58A- 4
NAS43DD4-16	58B- 2
NAS43DD4-16	58B- 4
NAS43DD4-16	60 - 2
NAS43DD4-16	60 - 6
NAS43DD4-16	60A- 2
NAS43DD4-16	60B- 2
NAS43DD4-16	60B- 7
NAS43DD4-20	97 -25
NAS43DD4-25	97 -34
NAS43DD4-30	97 -14
NAS43DD4-32	126A-67
NAS43DD4-47	97 -35
NAS43DD4-53	98A-53
NAS43DD4-7	97 -60
NAS43DD4-7	98A-52
NAS43DD4-9	97 -59
NAS43DD5-4	95 - 3
NAS43DD6-3	95 - 3
NAS43HT3-10	100 -34
NAS43HT3-10	100A-27
NAS43HT3-12	52 - 3
NAS43HT3-12	53 - 3
NAS43HT3-12	55 - 3
NAS43HT3-12	93 -33
NAS43HT3-12	110 -67
NAS43HT3-12	110B-39
NAS43HT3-19	117A- 4
NAS43HT3-20	102 -29
NAS43HT3-24	43 -49
NAS43HT3-24	122 -24
NAS43HT3-40	100 -28
NAS43HT3-40	100A-23
NAS43HT3-6	98 -23
NAS43HT3-64	58 -34
NAS43HT3-64	58A-24
NAS43HT3-64	58B-26
NAS43HT3-72	102 -24
NAS43HT3-8	132 -18
NAS43HT3-80	41 -21
NAS43HT4-10	100A-71
NAS43HT4-18	55 - 5
NAS43HT4-20	52 -58
NAS43HT4-20	53 -37
NAS43HT4-20	55 -49

PART NUMBER	FIGURE AND INDEX NO.
NAS43HT4-20	56 -11
NAS43HT4-20	57 -48
NAS43HT4-41	97 -67
NAS43HT4-41	101 -14
NAS43HT4-80	42 -53
NAS43HT5-147	98 -12A
NAS43003-64	59A-18
NAS43003-64	59B-19
NAS4330D3-32	111 -10
NAS43504	74 -17D
NAS437-4B	110 -61
NAS446-1-3	50 - 3
NAS446-1-3	57 -39
NAS446-2-1	58 -26
NAS446-2-1	58A-30
NAS446-2-1	58B-32
NAS446-2-3	61 - 3
NAS446-2-3	61 - 5
NAS446-2-3	73 -20
NAS446-2-3	73 -55
NAS446-2-3	74 -47
NAS446-2-3	85 -10
NAS446-2-3	85 -15
NAS446-2-3	85 -16
NAS446-2-3	85 -26
NAS446-2-3	85 -30
NAS446-2-3	85 -32
NAS446-2-3	86 - 8
NAS446-2-3	86 -32
NAS446-2-3	86 -45
NAS446-2-3	127 -51
NAS446-2-3	127A-65
NAS446-2-3	128 -17
NAS446-2-3	129 -19
NAS446-2-3	129A-19
NAS446-2-3	129B-19
NAS446-2-3	131 - 7
NAS446-2-3	131 -10
NAS446-4	3 -68
NAS446-4-3	9 -40
NAS446-4-3	49 - 4
NAS446-4-3	58 -83
NAS446-4-3	58A-67
NAS446-4-3	58B-68
NAS446-4-3	73 -39
NAS446-4-3	92 - 2B
NAS446-4-3	126A-32
NAS446-5	6 -16
NAS44603	6 -16
NAS448-5-3	30 - 5
NAS463W0D416	20 -44
NAS464-3A32	33 -36
NAS464-4A58	39 -29
NAS464-6-15	42 -12
NAS464P3-22	33 -60
NAS464P3-8	98 -66
NAS464P3A10	32 -18
NAS464P3A32C	31 -19
NAS464P3A7	32 - 8
NAS464P3A9	32 - 9
NAS464P3A9	33 -40
NAS464P4A10	33 -20
NAS464P4A16	32 -17
NAS464P420	32 -13
NAS464P5-42	117 -22
NAS464P5-42	117A-21
NAS464P6-44	31 - 5
NAS464P6-44	118 -33
NAS464P6LA13	42 -35
NAS488-1-3	3 -25
NAS509-4	113 -38
NAS514-1032-14	43 -49
NAS514P1032-10	38 -12
NAS514P1032-10	38A-28
NAS516P3-11	107 -14

PART NUMBER	FIGURE AND INDEX NO.
NAS516P3-11	107A-14
NAS557-16A	6 -17
NAS557-4A	127 -23
NAS557-6A	26 - 3
NAS557-6A	26 -15
NAS557-6A	127A-40
NAS557-8A	58A-71A
NAS557-8A	100B-34
NAS561-2-10	107 -46
NAS561-2-10	107 -47
NAS561-2-15	42 -11
NAS561-2-8	57 -29
NAS561-3-6	55 -31
NAS561-3-6	57 -19
NAS561-3-8	52 -46
NAS561-4-12	102 -21
NAS561-5-12	92 -34
NAS561-6-18	95 -44
NAS561C2-8	90 - 6
NAS561C2-8	91 - 6
NAS561C3-10	52 -52
NAS561C3-10	53 -33
NAS561C3-10	55 -43
NAS561P3-10	57 -22
NAS561P3-10	77 -13
NAS561P3-6	107 - 4
NAS561P3-6	107A- 4
NAS561P3-8	43 -51
NAS561P3-8	54 -33
NAS561P4-10	54 -24
NAS561P4-10	54 -29
NAS561P4-12	54 -28
NAS561P4-15	45 -19
NAS561P4-18	35 -12
NAS561P4-6	22 -12
NAS561P4-6	45 -22
NAS561P4-8	54 -26
NAS561P4-8	98A-14
NAS561P6-18	54 -11
NAS561P6-22	54 - 9
NAS561P7-16	33 -34
NAS561P8-32	33 -17
NAS563-11	35 - 4
NAS563-29	42 -17
NAS564-29	42 -19
NAS566-81	42 - 6
NAS577-10A	100 -35
NAS578-10	6 -12
NAS601-5	58B-89
NAS602-40	129 -10
NAS602-40	129A-10
NAS602-40	129B-10
NAS608-3-10	121 -14
NAS608C3H24	114 - 1
NAS608C3H6	112 -14
NAS608C3H6	112 -17
NAS608C4-8	115 -20
NAS608C4H16	112 -19
NAS609-448-4	112 -13
NAS620-4	100A-85
NAS620-4	100B-15
NAS679A04	96A- 7
NAS679A06	12 -83
NAS679A06	27 - 7
NAS679A06	38A-15
NAS679A06	43 -26
NAS679A06	44 -27
NAS679A06	58 -12
NAS679A06	58 -55
NAS679A06	69 -26
NAS679A06	70 -26
NAS679A06	77 -15
NAS679A06	77 -22
NAS679A06	78 -22
NAS679A06	90 -15

PART NUMBER	FIGURE AND INDEX NO.
NAS679A06	91 -15
NAS679A06	95 -16
NAS679A06	101A- 4
NAS679A06	108 -11
NAS679A06	128 -18
NAS679A06	128 -23
NAS679A06	129 -24
NAS679A06	129A-24
NAS679A06	129B-24
NAS679A06L	17 -25
NAS679A08	3 -54
NAS679A08	12 -83
NAS679A08	15 -12
NAS679A08	15 -12
NAS679A08	15 -32
NAS679A08	16A-27
NAS679A08	20 -43
NAS679A08	25 -39
NAS679A08	25 -39
NAS679A08	38 -23
NAS679A08	38A- 6
NAS679A08	39 -18
NAS679A08	52 - 8
NAS679A08	53 - 8
NAS679A08	58 -10
NAS679A08	58A-72
NAS679A08	58B-62
NAS679A08	59 -19
NAS679A08	59A-19
NAS679A08	59B-20
NAS679A08	61 -15
NAS679A08	64 - 7
NAS679A08	73 -25
NAS679A08	74 -31
NAS679A08	87 -29
NAS679A08	89 -11
NAS679A08	95 -50
NAS679A08	95 -66
NAS679A08	96B-26
NAS679A08	96B-51
NAS679A08	99 -10
NAS679A08	104 - 8
NAS679A08	104A-16
NAS679A08	126B-22
NAS679A08	127 -18
NAS679A08	127 -21
NAS679A08	127 -73
NAS679A08	127 -82
NAS679A08	127A-36
NAS679A08	127A-38
NAS679A08	127A-88
NAS679A08	127B- 4
NAS679A08	128 -14
NAS679A3	4 -84
NAS679A3	4 -94
NAS679A3	8 - 4
NAS679A3	10 -25
NAS679A3	11 -57
NAS679A3	15 -12
NAS679A3	15 -12
NAS679A3	15 -28
NAS679A3	16 -40
NAS679A3	16 -50
NAS679A3	16A-44
NAS679A3	17 - 6
NAS679A3	17 - 8A
NAS679A3	19 - 1
NAS679A3	19 -17
NAS679A3	20 -44
NAS679A3	20 -68
NAS679A3	22 -12
NAS679A3	28 - 2
NAS679A3	29 -14
NAS679A3	31 -20
NAS679A3	31 -26

PART NUMBER	FIGURE AND INDEX NO.
NAS679A3	31 -30
NAS679A3	32 -11
NAS679A3	32 -18
NAS679A3	33 -39
NAS679A3	36 -22
NAS679A3	38 - 5
NAS679A3	38 -12
NAS679A3	38 -39
NAS679A3	38A-21
NAS679A3	38A-37
NAS679A3	39 -36
NAS679A3	40 -14
NAS679A3	40A-19
NAS679A3	42 -18
NAS679A3	42 -55
NAS679A3	43 - 4
NAS679A3	44 - 4
NAS679A3	52 -23
NAS679A3	52 -63
NAS679A3	53 -20
NAS679A3	53 -42
NAS679A3	56 - 4
NAS679A3	57 - 4
NAS679A3	57 -37
NAS679A3	57 -45
NAS679A3	62 -20
NAS679A3	65 -10
NAS679A3	66 -11
NAS679A3	71 -21
NAS679A3	71 -26
NAS679A3	71 -36
NAS679A3	71 -46
NAS679A3	71 -47
NAS679A3	72 -23
NAS679A3	72 -23
NAS679A3	72 -23
NAS679A3	72 -28
NAS679A3	73 -42
NAS679A3	74 -55
NAS679A3	78 -19
NAS679A3	79 -23
NAS679A3	80 - 4
NAS679A3	83 -16
NAS679A3	84 - 4
NAS679A3	84 -14
NAS679A3	86 -13
NAS679A3	87 -16
NAS679A3	87 -25
NAS679A3	87 -32
NAS679A3	87 -36
NAS679A3	88 - 3
NAS679A3	89 -25
NAS679A3	89 -41
NAS679A3	90 -23
NAS679A3	90 -29
NAS679A3	91 -23
NAS679A3	91 -34
NAS679A3	92 -16
NAS679A3	92 -25
NAS679A3	92 -30
NAS679A3	92 -44
NAS679A3	92 -47
NAS679A3	93 -12
NAS679A3	93 -21
NAS679A3	93 -29
NAS679A3	93 -34
NAS679A3	95 -68
NAS679A3	96A-14
NAS679A3	97 -50
NAS679A3	98 - 6
NAS679A3	98 -12
NAS679A3	98 -19
NAS679A3	98 -24
NAS679A3	98 -30
NAS679A3	98 -38
NAS679A3	98 -45

PART NUMBER	FIGURE AND INDEX NO.
NAS679A3	98 -53
NAS679A3	98 -59
NAS679A3	98A-46
NAS679A3	98A-62
NAS679A3	100 -26
NAS679A3	100 -28
NAS679A3	100 -34
NAS679A3	100 -50
NAS679A3	100 -52
NAS679A3	100 -57
NAS679A3	100 -71
NAS679A3	100 -82
NAS679A3	100 -86
NAS679A3	100A-21
NAS679A3	100A-23
NAS679A3	100A-27
NAS679A3	100A-41
NAS679A3	100A-43
NAS679A3	100A-48
NAS679A3	100A-62
NAS679A3	100A-68
NAS679A3	100A-79
NAS679A3	100B-19
NAS679A3	100B-23
NAS679A3	100B-31
NAS679A3	101 -28
NAS679A3	101A- 2
NAS679A3	101A- 8
NAS679A3	101A-14
NAS679A3	101A-19
NAS679A3	101A-27
NAS679A3	102 -15
NAS679A3	102 -25
NAS679A3	103 -49
NAS679A3	104A-25
NAS679A3	105 - 8
NAS679A3	106 -26
NAS679A3	108 -12
NAS679A3	108 -13
NAS679A3	109 -12
NAS679A3	109 -45
NAS679A3	110 -42
NAS679A3	110 -59
NAS679A3	110 -66
NAS679A3	110 -75
NAS679A3	110B- 4
NAS679A3	110B-38
NAS679A3	117A- 5
NAS679A3	126A-11
NAS679A3	126A-55
NAS679A3	126A-71
NAS679A3	127 -12
NAS679A3	127 -17
NAS679A3	127 -19
NAS679A3	127 -64
NAS679A3	127 -66
NAS679A3	127 -68
NAS679A3	127A-26
NAS679A3	127A-32
NAS679A3	127A-75
NAS679A3	127A-77
NAS679A3	127A-79
NAS679A3	127A-82
NAS679A3	128 -13
NAS679A3	128 -35
NAS679A3	128 -58
NAS679A3	134 - 5
NAS679A3	110B-32
NAS679A3	110B-51
NAS679A4	3 - 4
NAS679A4	10 - 3
NAS679A4	11 - 3
NAS679A4	11 -56
NAS679A4	12 - 3
NAS679A4	12 -86

PART NUMBER	FIGURE AND INDEX NO.
NAS679A4	24 -15
NAS679A4	29 -18
NAS679A4	29 -23
NAS679A4	32 -15
NAS679A4	32 -17
NAS679A4	33 - 6
NAS679A4	33 -20
NAS679A4	33 -73
NAS679A4	34 - 7
NAS679A4	37 -24
NAS679A4	38 -35
NAS679A4	39 -31
NAS679A4	40 - 5
NAS679A4	52 -59
NAS679A4	53 -38
NAS679A4	54 -13
NAS679A4	55 -50
NAS679A4	56 -12
NAS679A4	57 -49
NAS679A4	71 - 7
NAS679A4	71 -50
NAS679A4	72 - 7
NAS679A4	72 -38
NAS679A4	74 -28
NAS679A4	79 - 9
NAS679A4	95 -21
NAS679A4	95 -67
NAS679A4	96 -18
NAS679A4	96 -38
NAS679A4	97 -16
NAS679A4	97 -38
NAS679A4	97 -42
NAS679A4	97 -53
NAS679A4	97 -58
NAS679A4	97 -68
NAS679A4	97 -72
NAS679A4	97 -78
NAS679A4	98 -33
NAS679A4	98 -49
NAS679A4	100 -22
NAS679A4	100 -33
NAS679A4	100 -44
NAS679A4	100 -64
NAS679A4	100 -77
NAS679A4	100A-26
NAS679A4	100A-35
NAS679A4	100A-55
NAS679A4	100A-73
NAS679A4	101 -15
NAS679A4	101 -21
NAS679A4	101 -32
NAS679A4	101 -35
NAS679A4	106 -23
NAS679A4	117 -16
NAS679A4	117A-16
NAS679A4	122 -20
NAS679A4	128 - 7
NAS679A5	9 - 5
NAS679A5	9A- 5
NAS679A5	29 -34
NAS679A5	33 - 2
NAS679A5	33 -22
NAS679A5	36 -27
NAS679A5	37 - 6
NAS679A5	40A- 7
NAS679A5	62 -10
NAS679A5	62 -23
NAS679A5	80 -25
NAS679A5	96 -27
NAS679A5	96 -30
NAS679A5	96 -43
NAS679A5	96A- 2
NAS679A5	100 -18
NAS679A5	100A-17
NAS679A5	100A-82

PART NUMBER	FIGURE AND INDEX NO.
NAS679A5	130 - 7
NAS679A6	9 - 6
NAS679A6	9A- 6
NAS679A6	14 -28
NAS679A6	31 - 4
NAS679A6	31 - 6
NAS679A6	36 - 3
NAS679A6	36 -16
NAS679A6	36 -28
NAS679A6	42 - 8
NAS679A6	42 -14
NAS679A6	42 -36
NAS679A9	42 - 6
NAS679C6	79 -10
NAS680A03	20 -13
NAS680A03	23 -15
NAS680A04K	25 -41
NAS680A06	9A-11
NAS680A08	4 -53
NAS680A08	5 -40
NAS680A08	5 -54
NAS680A08	5 -57
NAS680A08	5 -62
NAS680A08	14 -12
NAS680A08	18 - 6
NAS680A08	20 -12
NAS680A08	23 -12
NAS680A08	25 -27
NAS680A08	89 -14
NAS680A08	127B- 6
NAS680A08	129 -26
NAS680A08	129 -30
NAS680A08	129A-26
NAS680A08	129A-28
NAS680A08	129A-35
NAS680A08	129B-26
NAS680A08	129B-28
NAS680A08K	10 - 7
NAS680A08K	10 - 7
NAS680A08K	23 -32
NAS680A08K	23 -40
NAS680A08K	23 -45
NAS680A08K	25 -24
NAS680A08K	25 -25
NAS680A08K	25 -39
NAS680A08K	25 -42
NAS680A08K	25 -43
NAS680A08K	108 -14
NAS680A08K	109 - 5
NAS680A3	5 -17
NAS680A3	5 -19
NAS680A3	6 -18
NAS680A3	8 -31
NAS680A3	8 -32
NAS680A3	8 -36
NAS680A3	12 -56
NAS680A3	17 -11
NAS680A3	17 -20
NAS680A3	17 -24A
NAS680A3	18 - 5
NAS680A3	18 - 7
NAS680A3	19 -18A
NAS680A3	21 -24
NAS680A3	23 -33
NAS680A3	24 - 4
NAS680A3	24 -37
NAS680A3	28 - 5
NAS680A3	43 -20
NAS680A3	65 -12
NAS680A3	66 -12
NAS680A3	69 -42
NAS680A3	70 -41
NAS680A3	93 -40
NAS680A3K	20 -26
NAS680A3K	20 -27

PART NUMBER	FIGURE AND INDEX NO.
NAS680A3K	20 -33
NAS680A3K	23 -23
NAS680A3K	23 -24
NAS680A3K	23 -25
NAS680A3K	25 -23
NAS680A3K	25 -44
NAS680A3K	25 -45
NAS680A3K	29 -29
NAS680A4	4 -58
NAS680A4	19 -24
NAS680A4	20 -22
NAS680A4	20 -44
NAS680A4	23 -46
NAS680A4	62 -16
NAS680A4K	25 -22
NAS680A8R8	132 -11
NAS681A08K	23 -34
NAS681A3	4 -60
NAS681A3	4 -61
NAS681A3	21 -25
NAS681A3K	4 -59
NAS682A06	5 -21
NAS682A06	5 -23A
NAS682A06	5 -49
NAS682A08	4 - 7A
NAS682A08	5 -62
NAS682A08	43 -30
NAS682A08	44 -19
NAS682A08K	23 -35
NAS682A08K	25 -26
NAS682A3	5 -34
NAS682A3	21 -23
NAS682A3	45 -14
NAS682A3	100B-40
NAS682A3K	25 -28
NAS682A4	7 -26
NAS682A4	7 -29
NAS682A4	7 -32
NAS682A4	7 -35
NAS682A4	20 -25
NAS682A4	23 -50
NAS682A4	23 -52
NAS683A3	21 -26
NAS684A4	29 -36
NAS686A08	5 - 3
NAS686A08	6 -35
NAS686A08	6 -36
NAS686A08	6 -37
NAS686A08	28 -32
NAS686A08	28 -40
NAS686A08	129A-37
NAS686A08K	7 -10
NAS686A3	17 - 8
NAS686A3	18 - 7
NAS686A3	85 -37
NAS696A04L	129C- 3
NAS696A08	5 -47
NAS696A08	5 -60
NAS696A08	14 -29
NAS696A08	15 - 9
NAS696A08	15 -10
NAS696A08	15 -21
NAS696A08	15 -49
NAS696A08	15 -49
NAS696A08	19 -10
NAS696A08	19 -16
NAS696A08	19 -18
NAS696A08	19 -26
NAS696A08	19 -28
NAS696A08	19 -32
NAS696A08	23 - 3
NAS696A08	43 -12
NAS696A08	43 -28
NAS696A08	43 -29
NAS696A08	44 -11

PART NUMBER	FIGURE AND INDEX NO.
NAS696A08	44 -17
NAS696A08	44 -18
NAS696A08	90 - 8
NAS696A08	91 - 8
NAS696A08	91 -37
NAS696A08	95 -12B
NAS696A08	95 -30
NAS696A08	95 -30
NAS696A08	95 -32
NAS696A08	98A-10
NAS696A08K	9 -10
NAS696A08K	9A-10
NAS696A08K	10 - 8
NAS696A3	11 -22
NAS696A3	15 - 9
NAS696A3	15 -49
NAS696A3	19 -19
NAS696A3	19 -29
NAS696A3	19 -32
NAS696A3	29 - 5
NAS696A3	95 -12C
NAS696A4	20 -11
NAS697A04L	16 -29
NAS697A06L	58A-77
NAS697A06L	58A-78
NAS697A06L	58B-54
NAS697A06L	58B-55
NAS697A06L	127 - 6
NAS697A08	3 -13
NAS697A08	3 -13
NAS697A08	12 - 7
NAS697A08	15 - 9
NAS697A08	15 - 9
NAS697A08	15 -10
NAS697A08	15 -10
NAS697A08	15 -49
NAS697A08	15 -49
NAS697A08	16 -28
NAS697A08	16 -67
NAS697A08	16 -69
NAS697A08	16A-45
NAS697A08	16A-47
NAS697A08	17 -24A
NAS697A08	19 -11
NAS697A08	19 -23
NAS697A08	19 -32
NAS697A08	23 - 2
NAS697A08	25 - 2
NAS697A08	25 -28A
NAS697A08	28 -29
NAS697A08	43 -12
NAS697A08	43 -29
NAS697A08	44 -11
NAS697A08	44 -18
NAS697A08	58 -79
NAS697A08	58 -80
NAS697A08	58 -89
NAS697A08	58A-64
NAS697A08	58B-69
NAS697A08	85 -35
NAS697A08	86 - 3
NAS697A08	90 - 9
NAS697A08	91 - 9
NAS697A08	95 -12B
NAS697A08	95 -30
NAS697A08	95 -30
NAS697A08	95 -32
NAS697A08	95 -33
NAS697A08	129B-36
NAS697A08K	5 -63
NAS697A08K	9 -10
NAS697A08K	9A-10
NAS697A08K	10 - 7
NAS697A08K	10 - 8
NAS697A08K	16 -30



PART NUMBER	FIGURE AND INDEX NO.
NAS697A08K	24 -17
NAS697A08K	28 -34
NAS697A08K	28 -42
NAS697A3	11 -23
NAS697A3	15 - 7
NAS697A3	15 - 9
NAS697A3	15 -49
NAS697A3	15 -49
NAS697A3	16 -16
NAS697A3	16 -43
NAS697A3	16A-21
NAS697A3	16A-57
NAS697A3	19 -32
NAS697A3	20 -44
NAS697A3	24 -28
NAS697A3	24 -35
NAS697A3	25 - 2
NAS697A3	58B-58
NAS697A3	58B-73
NAS697A3	77 - 6
NAS697A3	77 - 7
NAS697A3	77 -10
NAS697A3	78 - 5
NAS697A3	87 -20
NAS697A3	95 -12D
NAS697A3	98A-42A
NAS697A3	100B-40
NAS697A3	110 - 5
NAS697A3K	58B-57
NAS697A3K	58B-59
NAS697A4	16 -54
NAS697A4	16A-67
NAS697A4	29 -25
NAS697A4	33 -77
NAS697A4	128 -43
NAS698A04L	129C- 5
NAS698A08	15 - 9
NAS698A08	28 -28
NAS698A08	90 -10
NAS698A08	91 -10
NAS698A08	98A- 9
NAS698A08K	9 -11
NAS698A08K	9A-11
NAS698A08K	10 - 8
NAS698A08K	45 -31
NAS698A3	6 -19
NAS698A3	18 - 4
NAS698A3	22 - 8
NAS698A3	45 -15
NAS698A3	58 -78
NAS698A3	71 -15
NAS698A3	72 -15
NAS698A3	88 - 4
NAS698A4	12 -67
NAS74A-3E004P	38A-19
NAS74A3-004P	38 - 6
NAS75-3-016	100B- 7
NAS75-3-016	100B-23
NAS75-3-019	38 -30
NAS75-3-107	98 - 5
NAS75-3-130	98 -11
NAS75-3-230	98 -12B
NAS75-4-027	100 -33
NAS75-4-216	100A-26
NAS76A3-017	87 -36
NAS76A3-031	41 -15
NAS76A3-108	41 -23
NAS76A3-110	42 -27
NAS76A4-004	98A-28
NAS76A4-006	31 -21
NAS76A4-009	98A-29
NAS77-3-23	33 -53
NAS77-6-88	33 -52
NAS77-6-88	33 -64
NTA2233	95 - 7

PART NUMBER	FIGURE AND INDEX NO.
N233-2	132 -17
OAS2925	113 -55
PC120	61 -12
PC47301	95 -26B
PN3A	99 -13
P2274	110 -35
P2274	110A-21
QS-200-M805	126B-25
QS100M64S	78 -29
REF4TH8	32 -19
RG4	69 -17
RG4	69 -33
RG4	70 -16
RG4	70 -33
R12 1/2-8RS34	59 - 8
R121/2-8RS34	59A- 7
R561	37 -30
SA2883	98A-11
SE709	109 -43
SF1030-26BX	95 -26C
SF1030-26BX	128 -57
SK210-40	33 - 1
SLP-DT10-22	6 -12
SL350	75 -17
SL350C	76 -18
SM2H	95 -25
SM2H	95 -26A
SM3P	95 -25
SM3S	95 -26A
SS51026K2215	20 -99C
S1003-10B	98 -20
S1003-43A	93 -24
S1003-69A	98 - 1
S1003-69A	98 - 7
S1003-69A	98 -13
S1003-84	98A-21
S1004-41A	102 -17
S1004-44A	98A- 5
S1004-44A	98A-32
S1004-45A	33 -15
S1004-46A	33 -13
S1021A10-16	49 -38
S1021A4-6	24 -50
S1021A4-6	44 -41
S1021A4-6	46 -16
S1021A4-6	49 -40
S1021A4-6	49 -56
S1021A4-6	129 -29
S1021A4-6C	56 -16
S1021A4-8	24 -83
S1021A4-8	24 -84
S1021A4-8	24 -85
S1021A6-6	58A-50
S1021A6-6	58A-52
S1021A6-6B	58 -61
S1021A6-6B	58 -65
S1021A6-6B	58A-34
S1021A6-6B	58B-36
S1021A6-6B	58B-46
S1021A6-6C	58A-51
S1021A6-8	96A-19
S1021A6-8B	58 -56
S1021A8-6	126A-41
S1021A8-8	49 -55
S1021A8-8	93 -42
S1021Z-4-8	50 - 3
S1021Z-8-8	126B-26
S1021Z10	73 -27
S1021Z10-10	3 -58
S1021Z10-10	79 -46
S1021Z10-6	80 -12
S1021Z10-8	6 -16
S1021Z10-8	23 -10
S1021Z10-8	72 -35
S1021Z10-8	73 -36

PART NUMBER	FIGURE AND INDEX NO.
S1021Z10-8	80 -19
S1021Z10-8B	47 - 7
S1021Z2-5	58A-94
S1021Z2-5	60A- 9
S1021Z4-4	49 -25
S1021Z4-6	13 -13
S1021Z4-6	43 -55
S1021Z4-6	44 -44
S1021Z4-6	47 -20
S1021Z4-6	48 -15
S1021Z4-6	50 - 5
S1021Z4-6	50 -21
S1021Z4-6	50 -24
S1021Z4-6	89 -29
S1021Z4-6	107 -49
S1021Z4-6	127 -81
S1021Z4-6	127A-87
S1021Z4-6B	47 - 9
S1021Z4-6C	57 -39
S1021Z4-8	58 -62
S1021Z4-8	58A-48
S1021Z6-12C	49 - 9
S1021Z6-4	52 -15
S1021Z6-4	52 -22
S1021Z6-4	53 -23
S1021Z6-4	53 -25
S1021Z6-4	55 -19
S1021Z6-6	16 -90
S1021Z6-6	16A-96
S1021Z6-6	61 - 2
S1021Z6-6	61 - 5
S1021Z6-6	73 -20
S1021Z6-6	73 -54
S1021Z6-6	74 -46
S1021Z6-6	85 - 8
S1021Z6-6	85 -10
S1021Z6-6	85 -15
S1021Z6-6	85 -16
S1021Z6-6	85 -26
S1021Z6-6	85 -30
S1021Z6-6	85 -32
S1021Z6-6	86 - 8
S1021Z6-6	86 -31
S1021Z6-6	86 -45
S1021Z6-6	103 -17
S1021Z6-6	127 -20
S1021Z6-6	127 -51
S1021Z6-6	127A-37
S1021Z6-6	127A-65
S1021Z6-6	129 -18
S1021Z6-6	129A-18
S1021Z6-6	129B-18
S1021Z6-8	131 - 9
S1021Z6-8	3 -24
S1021Z6-8	3 -41
S1021Z6-8	6 -16
S1021Z6-8	49 -13
S1021Z6-8	49 -27
S1021Z6-8	58A-94
S1021Z6-8	60A- 9
S1021Z6-8	128 -16
S1021Z6-8	131 - 6
S1021Z6R6	58A-34
S1021Z6R6	58B-36
S1021Z6R8	30 - 4
S1021Z8-10	49 - 4
S1021Z8-10	79 -28
S1021Z8-6	3 -28
S1021Z8-6	3 -34B
S1021Z8-6	3 -35
S1021Z8-6	3 -67
S1021Z8-6	7 -39
S1021Z8-6	9 -39
S1021Z8-6	11 -61
S1021Z8-6	11 -63

PART NUMBER	FIGURE AND INDEX NO.
S1021Z8-6	11 -66
S1021Z8-6	90 -32
S1021Z8-6	90 -33
S1021Z8-6	91 -31
S1021Z8-6	91 -32
S1021Z8-6	92 - 2B
S1021Z8-6	95 -70
S1021Z8-6	117 -10
S1021Z8-6	128 -25
S1021Z8-6	129A-35
S1021Z8-6C	53 -15
S1021Z8-6C	55 -14
S1021Z8-6C	57 -15
S1021Z8-8	3 -13
S1021Z8-8	3 -68
S1021Z8-8	8 -13
S1021Z8-8	11 -13
S1021Z8-8	13 - 8A
S1021Z8-8	20 -24
S1021Z8-8	23 -16
S1021Z8-8	23 -18
S1021Z8-8	23 -41
S1021Z8-8	26 - 2
S1021Z8-8	26 - 5
S1021Z8-8	26 - 9
S1021Z8-8	26 -13
S1021Z8-8	30 - 2
S1021Z8-8	43 -17
S1021Z8-8	47 - 2
S1021Z8-8	48 - 5
S1021Z8-8	49 -56B
S1021Z8-8	58 -83
S1021Z8-8	58A-67
S1021Z8-8	58B-68
S1021Z8-8	71 -31
S1021Z8-8	73 - 8
S1021Z8-8	73 -39
S1021Z8-8	74 -17D
S1021Z8-8	78 -15
S1021Z8-8	90 -25
S1021Z8-8	91 -25
S1021Z8-8	100B-35
S1021Z8-8	103 -27
S1021Z8-8	126A-32
S1021Z8-8	129A-34
S1021Z8-8	129B-33
S1021Z8-8	131 - 2
S1021Z8-8C	110B-55
S1022A4-6	128 -12
S1022A6-6	58A- 5
S1022A6-6C	58B- 6
S1022Z4-8	127 - 4
S1022Z6-10	54 -34
S1022Z6-10B	58 -26
S1022Z6-8B	58A-30
S1022Z6-8B	58B-32
S1022Z8-14	129 - 3
S1022Z8-14	129A- 3
S1022Z8-14	129B- 3
S1022Z8-5	129A-33
S1022Z8-6	3 -19
S1022Z8-6	3 -62
S1022Z8-8	3 -56
S1022Z8-8	3 -60
S1022Z8-8	3 -61
S1022Z8-8	3 -63
S1022Z8-8	23 -11
S1022Z8-8	23 -42
S1022Z8-8	23 -43
S1022Z8-8	23 -44
S1022Z8-8	90 -26
S1022Z8-8	91 -26
S1023A4-10C	49 -16
S1023A4-6C	50 -22
S1023A6-10C	49 -20

PART NUMBER	FIGURE AND INDEX NO.
S1023A6-10C	49 -21
S1023A6-12	58 -66
S1023A6-6C	89 -21
S1026BG	1 -18
S1026BG	78 - 2
S1026BG10.90X	90 -38
S1026BG10.90X	91 -41
S1026BG13.00X	91 -46
S1042-1	13 - 9
S1042-1	13 -10
S1042-1	13 -11
S1042-1	13 -12
S1042-1	13 -13
S1047-1	1 -20
S1047-1	49 -58
S1047-1	49 -59
S1047-2	1 -20
S1050-1	126A-51
S1050-1-3.10	128 - 8
S1050-1-3.50	107A-46
S1050-1-3.93	14 -22
S1050-1-3.93	89 - 7
S1050-1-320	103 -22
S1050-1-6.10	14 -22
S1050-1-6.28	14 -12
S1050-2-3.96	107A-45
S1050-2-5.50	5 - 3
S1050-3-4.05	98A-17
S1051-1	13 - 8A
S1051-1	13 - 8A
S1053E10T	1 -19
S1053E12T	1 -19
S1053E12T	73 -28
S1053E12T	73 -29
S1053E12T	74 -30
S1053E12T	74 -32
S1053E12T	89 - 1
S1053E16T-*	90 -35
S1053E16T-*	91 -42
S1053E20T	1 -19
S1053E20T	89 -34
S1053E24T	1 -19
S1053E28T	1 -19
S1053E32T	1 -19
S1053E32T	78 -26
S1053E7T	1 -19
S1053E8T	1 -19
S1053E8T	89 - 5
S1053K10T	1 -19
S1053K12T	1 -19
S1053K20T	1 -19
S1053K24T	1 -19
S1053K24T	73 -43
S1053K24T-*	90 -39
S1053K24T-*	90 -41
S1053K24T-*	91 -44
S1053K24T-*	91 -47
S1053K24W	1 -19
S1053K28W	1 -19
S1053K32T	1 -19
S1055-1	1 -21
S1055-1	85 -17
S1055-1	85 -18
S1055-1	131 -11
S1071-1	1 -22
S1071-1	103 - 5
S1071-1	103 - 5
S1071-1	103 - 7A
S1071-1	103 - 7A
S1071-1	103 -10
S1071-1	103 -12
S1071-1	103 -12
S1071-1	103 -13
S1071-1	103 -22
S1071-1	103 -22
S1071-1	103 -27

PART NUMBER	FIGURE AND INDEX NO.
S1071-1	103 -40
S1071-1	103 -41
S1071-1	103 -17
S1071-1	103 -50
S1071-3	1 -22
S1071-3	126A-13
S1071-3	126A-20
S1071-3	126A-25
S1071-3	126A-29
S1071-3	126A-38
S1071-3	126A-43
S1071-3	126A-46
S1071-4	1 -22
S1071-4	126A- 1
S1071-4	126A-34
S1071-5	1 -22
S1071G3	96A-17
S1071G3	96A-24
S1071R3	96A-16
S1071R3	96A-23
S1072-1	20 -34
S1074-1	129 -12
S1074-1	129A-12
S1074-1	129B-12
S1078-1	1 - 7
S1078-2	1 - 8
S1078-3	1 - 9
S1080-4	95 -10
S1080-4	95 -31
S1084-1	1 -23
S1090-11	128 -48
S1090-2	128 -48
S1090-22	128 -10
S1090-23	128 -10
S1091-1	128 -10
S1091-5	128 -48
S1093-1	7 -44A
S1095-3	26 - 1
S1104-3	71 -18
S1104-3	71 -32
S1104-3	72 -18
S1104-3	72 -29
S1106-3	38 -40
S1106-3	38A-38
S1106-3	100 -59
S1106-3	100A-50
S1106-3	100B-17
S11065-20	33 -43
S11065-21	33 -43
S1110ET	1 -24
S1110ET19.5	90 -37
S1110ET19.5	91 -40
S1115-10	25 -30
S1115-10	25 -31
S1115-10	128 -38
S1115-19	25 - 5
S1115-19	25 - 7
S1115-19	127B-12
S1115-19	127B-14
S1115-30	25 -30
S1115-9	25 -31
S1115-9	127B-14
S1115-9	128 -38
S1115-9	128 -41
S1116	1 -43
S1116-1	46 -18
S1117-24	36 -30
S1120-181	125 - 5
S1120-181	126 -11
S1120-363	125 - 3
S1120-363	126 -12
S1121-207	125 - 6
S1121-207	126 -15
S1121-389	125 - 4
S1121-389	126 -14

PART NUMBER	FIGURE AND INDEX NO.
S1127-6	80 -20
S1127-6-10	74 -57
S1127-8	80 -36
S1127-8	110 -78
S1127-8	110B-58
S1127-8-6	74 -59
S1127-8-6.00	104 - 9
S1127-8-6.00	104A-13
S1130-1	103 - 5
S1130-1	103 - 7A
S1130-1	103 -10
S1130-1	103 -12
S1130-1	103 -13
S1130-1	103 -22
S1130-1	103 -27
S1130-1	103 -40
S1130-1	103 -41
S1130-1	103 -50
S1130-3	126A-15
S1130-3	126A-21
S1130-3	126A-26
S1130-3	126A-30
S1130-3	126A-40
S1130-3	126A-40
S1130-3	126A-44
S1130-3	126A-47
S1130-4	126A- 3
S1130-4	126A-35
S1131-1	103 - 5
S1131-1	103 - 7A
S1131-1	103 -10
S1131-1	103 -12
S1131-1	103 -13
S1131-1	103 -17
S1131-1	103 -22
S1131-1	103 -27
S1131-1	103 -40
S1131-1	103 -41
S1131-1	103 -50
S1131-3	126A-15
S1131-3	126A-21
S1131-3	126A-26
S1131-3	126A-30
S1131-3	126A-44
S1131-3	126A-47
S1131-4	126A- 3
S1131-4	126A-35
S1132-1	103 -15
S1132-3	126A-42
S1132-3	126A-48
S1133-1	103 - 7A
S1133-1	103 - 9
S1133-1	103 -42
S1133-2	103 -32
S1133-5	126A-14
S1133-6	126A- 5
S1133-6	126A-37A
S1134-1	103 -10
S1134-1	103 -12
S1135-1	20 -75A
S1135-1	103 - 7
S1135-1	103 -25
S1137-1	103 -39
S1137-3	126A-24
S1138-1	20 -75A
S1138-1	103 -24
S1139-1	103 - 5
S1139-5	126A-39
S1141-3	20 -75
S1145-1	58B-36
S1154-1	3 -65
S1154-1	15 -26
S1154-1	20 -58
S1154-1	28 - 5
S1154-1	28 - 6

PART NUMBER	FIGURE AND INDEX NO.
S1154-1	28 - 7
S1154-1	28 - 8
S1154-1	92 -31
S1154-1	103 -27
S1155-2	127 -73
S1155-2	127A-19
S1155-3	127 -20
S1155-3	127A-37
S1155-4	3 -66
S1155-4	103 -20
S1155-4	103 -26
S1155-4	127A-18
S1155-6	126A-23
S1155-6	126A-32
S1155-6	126A-41
S1155-8	126A-37
S1158-1-1	59 - 6
S1158-1-1	59A- 4
S1158-1-1	109 -15
S1158-2-1	59 - 4
S1158-2-1	59A- 5
S1158-2-1	103 -37
S1158-2-1	132 -21
S1159-1-1	59 - 1
S1159-1-1	59A- 1
S1160-1-1	59 - 5
S1160-1-1	59A- 6
S1160-1-2	59 - 2
S1160-1-2	59A- 2
S1163-2	59 - 8
S1163-2	59A- 7
S1163-2	59B- 6
S1166-1	24 -53
S1166-1	24 -61
S1167-3-	117A-26
S1167-3-	117A-29
S1167-3-0122	117 -30
S1167-3-01414	117 -27
S1167-3-0144	92 - 2
S1167-3-0152	92 - 1
S1167-4-0074	123 - 3
S1167-4-0110	117 - 7
S1167-4-0124	122 -13
S1167-4-0140	122 -15
S1167-4-0146	123 - 4
S1167-4-0172	123 - 5
S1167-4-0180	117 - 6
S1167-4-0324	111 -17
S1167-8	104 - 9
S1167-8	104A-12
S1167-8-0290	79 -44
S1167C4-0095	117A- 7
S1167C4-0126	117A- 8
S1168-2-13	71 -44
S1168-2-13	72 -45
S1193-1	8 -11
S1213-1	93 -44
S1216-3	64 -16
S1220-3	58 -47
S1220-3	71 -10
S1220-3	72 - 9
S1220-8	58A-41
S1220-8	58B-43
S1220-8	58B-47
S1221A6-6B	58 -49
S1222-1	71 -11
S1222-10	72 -10
S1222-10	58A-43
S1222-18	58B-45
S1222-18	58 -48
S1223-4	71 -27
S1223-4	72 -24
S1223-9	58A-42
S1223-9	58B-44
S1235-5	58 -50

PART NUMBER	FIGURE AND INDEX NO.
S1236-4-*	108 -24
S1236-4-0100	109 - 7
S1236-4-0150	104 -12
S1236-4-0150	104A-19
S1236-4-0150	111 -33
S1236-4-0234	79 -25
S1236-4-0234	108 -20
S1236-4-0234	109 - 4
S1236-4-0234	109 -14
S1236-4-0260	109 - 4
S1236-4-029.0	104 - 7
S1236-4-0310	80 -10
S1236-4-0380	73 -31
S1236-4-0380	109 -16
S1236-4-0450	79 -32
S1236-4-0450	109 -18
S1236-4-29.00	104A-15
S1236-6-0550	80 -17
S1236-8-	80 -45
S1236-8-*	80 -44
S1236-8-*	80 -45
S1236-8-*	107A-41
S1236-8-0174	111 -16
S1236-8-13.50	80 -44
S1236-8-13.50	110 -80
S1236-8-13.50	110B-60
S1238-2-1	59 - 3
S1238-2-1	59A- 3
S1238-2-1	60 -10
S1238-2-1	60A-10
S1240-5	108 - 2
S1240-6	58 -40
S1241-10	58 -41
S1241-11	58 -43
S1241-20	58A-38
S1241-20	58B-41
S1241-21	58A-37
S1241-21	58B-39
S1241-22	58A-36
S1241-22	58B-38
S1241-8	58 -44
S1244-21	87 -10
S1244-5	87 -10
S1244-6	87 -11
S1244-9	100B-26
S1264-1	43 -31
S1264-1	44 -28
S1268-2	58 -42
S1268-9	58A-35
S1268-9	58B-37
S1278-1	129 - 7
S1278-1	129A- 7
S1278-1	129B- 7
S1305N10	58 -32
S1305N10	58A-21
S1305N10	58B-23
S1317N1	58 -28
S1317N2	58A-15
S1317N2	58B-17
S1330-1	103 -17
S1346-1	1 -25
S1346-1	43 -31
S1346-1	44 -28
S1356	1 -44
S1358-1	95 - 9A
S1359-3	46 -19
S1359-5	46 -24
S1359-6	46 -24
S1360-10	59 -10
S1360-10	59A- 9
S1360-10	59B-11
S1360-10	132 -22
S1360-15	59 -11
S1360-15	59A-10
S1360-15	59B-12

PART NUMBER	FIGURE AND INDEX NO.
S1360-15	103 -38
S1360-20	59 -12
S1360-20	59A-11
S1360-20	59B-13
S1360-5	59B- 9
S1362-12	50 - 8
S1362-6	50 - 8
S1366-1	1 -26
S1366-2	1 -26
S1366-3	1 -26
S1372-1	73 -22
S1372-1	74 -33
S1377-1	133 - 2
S1378-1	1 -27
S1378-2	1 -27
S1378-2	43 -43
S1389-1	1 -28
S1389-1	24 -68
S1389-2	1 -28
S1389-2	27 - 2
S1389-3	1 -28
S1389-3	27 - 3
S1389-4	1 -28
S1389-5	1 -28
S1389-6	1 -28
S1389-7	1 -28
S1389-7	27 - 4
S1392N1	58 -25
S1392N2	58 -25
S1392N2	58A-18
S1392N2	58B-20
S1397-3	2 - 6
S1397-4	2 - 7
S1397-4	69 -13
S1397-4	70 - 6
S1398-1	1 -29
S1398-1	127 -13
S1398-2	1 -30
S1398-2	127 -14
S1399-1	90 -34
S1399-1	91 -33
S1399-1	127 -25
S1399-1-*	127A-49
S1399-1-7.0	107A-44
S1413N1	58 -24
S1413N1	58A-12
S1414N1	58 -53
S1414N1	58A-16
S1414N1	58B-18
S1414N1	96B-54
S1414N1	110 - 9
S1414N1	110A-17
S1415-1	1 -31
S1426-1	63 - 3
S1430-1	47 -28
S1438-1	55 - 4
S1438-2	93 - 6
S1440-1	125 -15
S1440-1	126 -16
S1441-1	1 -32
S1441-1	43 -31
S1441-1	44 -28
S1441-2	1 -32
S1441-2	24 -42
S1441-2	43 -31
S1441-2	44 -28
S1441-3	1 -32
S1450-3A9-032	102 -28
S1450-4A11-063	64 - 2
S1450-5-14-032	100B-10
S1450-5A15-050	96A- 2
S1450-5H14-063	130 - 3
S1450-6-14-080	130 -10
S14505H14-04C	130 -12
S147	39 - 7

PART NUMBER	FIGURE AND INDEX NO.
S1483-2	43 -50
S1485D10L	110B-54
S1485D3U	90 -25
S1485D3U	91 -25
S1485D36L	72 -34
S1485D36L	73 -26
S1485D36L	73 -34
S1485D4U	129A-35
S1485D8U	117 -10
S1486DG11U	80 -18
S1486DG13U	79 -46
S1486DG4L	73 - 8
S1486DG4U	90 -32
S1486DG4U	91 -31
S1486DG6U	126A-22
S1486DG7U	79 -33
S1486DG7U	80 -11
S1486DG8U	71 -30
S1488-1	128 -53
S1489-4	127A-29
S1494-6	96A-22
S1494-9	96B-20
S1495-10	1 -33
S1495-4	1 -33
S1495-4	96B-55
S1495-4	96B-56
S1495-4	109 -47
S1495-4	110 -10
S1495-4	110 -11
S1495-4	110A- 5
S1495-4	110A- 6
S1495-4	110A-28
S1495-4	110 -20
S1495-5	110A-27
S1495-6	1 -33
S1495-6	80 -29
S1495-6	96B-12
S1495-6	96B-13
S1495-6	96B-14
S1495-6	96B-15
S1495-6	96B-16
S1495-6	96B-17
S1495-6	110 -12
S1495-6	110 -13
S1495-6	110 -14
S1495-6	110 -15
S1495-6	110 -16
S1495-6	110 -17
S1495-6	110 -48
S1495-6	110A- 9
S1495-6	110A-33
S1495-6	128 -27
S1495-6	110A- 7
S1495-6	110A- 8
S1495-6	110A-10
S1495-6	110A-34
S1495-6	110A-35
S1495-6	110A-36
S1495-6	110B-10
S1495-8	1 -33
S1495-8	80 -32
S1495-8	80 -34
S1495-8	80 -38
S1495-8	110 -50
S1495-8	110 -51
S1495-8	110 -52
S1495-8	110 -70
S1495-8	110 -76
S1495-8	110 -84
S1495-8	110B-13
S1495-8	110B-56
S1495-8	110B-64
S1495-8	126A-62
S1495-8	110B-11
S1495-8	110B-15

PART NUMBER	FIGURE AND INDEX NO.
S1495-8	110B-27
S1495-8	110B-43
S1495-8	110B-44
S1495-8	110B-45
S1495-8	110B-66
S1495-8	110B-12
S1495-8	110B-14
S1495-8	110B-42
S1496-4	110 -22
S1496-6	110 -24
S1496-8	80 -39
S1496-8	110 -85
S1496-8	110B-19
S1496-8A	110B-18
S1497-4	96B-57
S1497-4	110 -23
S1497-4	110A-22
S1497-4	110A-32
S1497-6	80 -29
S1497-6	96B-18
S1497-6	110 -21
S1497-6	110A-23
S1497-6	110B-26
S1497-8	110B-25
S1500	2 -65
S1501-1	134 - 2
S1503-1	59 - 9
S1504-3	49 -23
S1505-3	130 -18
S1517-5	106 -19A
S1520-1	127 -83
S1520-1	127A-90
S1529-1	127 -76
S1529-1	127A-11
S1533-2	106 -19
S1533-3	59 - 9
S1570-8-12	64 -12
S1571-8-10	64 - 9
S1571-8-6	64 -13
S1573-3	106 -15
S1579-1	128 - 4
S1586-1	58B- 2A
S1588-1	3 -53
S1588-2	5A-18
S1589-3	69 -41
S1589-3	70 -45
S1589-3	70 -45
S1590-2	6 -16
S1590-3A	6 -16
S1590-4A	111 -60
S1590-6	110A-31
S1591-2A	127 -37
S1591-2A	127A-50
S1592-1A	103 -17
S1592-2A	96A-18
S1592-28	3 -41
S1596-60	59 -13
S1596-60	59A-12
S1596-60	59B-14
S1597-1-30.8	73 -59
S1597-1-30.8	74 -24
S1597-1-30.8	75 -12
S1597-1-30.8	76 -13
S1600	2 -65
S1604-4	80 - 6
S1604-6	79 - 2
S1605-6	71 -40
S1611-1	1 -34
S1613-3-75	43 -52
S1614	1 -45
S1614-1	80 -22
S1614-1	80 -37
S1614-1	110 -79
S1614-1	110B-59
S1615-6	110 -18



PART NUMBER	FIGURE AND INDEX NO.
S1615-6	110 -19
S1618B1	56 - 8
S1618B3	52 -56
S1618B3	53 -35
S1618B3	55 -47
S1618D1	56 - 8
S1618D3	52 -56
S1618D3	53 -35
S1618D3	55 -47
S1618J1	56 - 8
S1618J3	52 -56
S1618J3	53 -35
S1618J3	55 -47
S1618K1	56 - 8
S1618K3	52 -56
S1618K3	53 -35
S1618K3	55 -47
S1618M1	56 - 8
S1618M3	52 -56
S1618M3	53 -35
S1618M3	55 -47
S1622B5	57 -46
S1622J5	57 -46
S1622K5	57 -46
S1622M5	57 -46
S1628-329	33 -44
S1629-1	128 -20
S1635-1	1 -35
S1635-2	1 -35
S1635-2	100 -39
S1635-2	100A-32
S1635-3	1 -35
S1636-1	1 -36
S1636-2	1 -36
S1636-3	1 -36
S1637-1	1 -37
S1637-2	1 -38
S1638-1	1 -39
S1638-1	132 - 8
S1638-2	1 -40
S1638-2	100 -39
S1638-2	100A-32
S1638-2	132 -20
S1640-12	1 -41
S1640-15	1 -41
S1640-6	1 -41
S1640-9	1 -41
S1641-12	1 -42
S1641-15	1 -42
S1641-6	1 -42
S1641-9	1 -42
S1656-9	2 -19
S1656-9	58 -99D
S1660-1	128 -45
S1661-1	58 -45
S1664-1	127 -65
S1664-1	127A-76
S1664-2	127 -65
S1664-2	127A-76
S1668-1	58 -98
S1668-1	58A-90
S1668-1	58B-79
S1672-1	3 -35
S1672-2	3 -35
S1673-1	128 -13
S1674-1	93 -16
S1675-1	93 -17
S1676-8	132 -19
S1693-1	127A-42
S1693-1	128 -57
S1693-2	95 -26D
S1693-2	96B-46
S1693-2	126A-63
S1693-2	128 - 5A

PART NUMBER	FIGURE AND INDEX NO.
S1693-2	128 -13
S1693-2	128 -54
S1693-2	128 -57
S1693-2	110B-22
S1710-1	100 -79
S1710-1	100 -84
S1710-1	100A-75
S1711-1	109 -29
S1713-1	2 -39
S1714-1	2 -38
S1721-12	127 -79C
S1721-12	127A-85
S1721-16	127 -79C
S1721-16	127A-85
S1722-140	127A-13
S1723-5	127 -79A
S1723-5	127A-83
S1724-1	127 -79B
S1724-1	127A-84
S1728-1	89 -16
S1732-1	100 -39
S1732-1	100A-32
S1743-2	92 -19B
S1746B1	56 - 8
S1746B14	57 -46
S1746B2	52 -56
S1746B2	53 -35
S1746B2	55 -47
S1746D1	56 - 8
S1746D14	57 -46
S1746D2	52 -56
S1746D2	53 -35
S1746D2	55 -47
S1746J1	56 - 8
S1746J14	57 -46
S1746J2	52 -56
S1746J2	53 -35
S1746J2	55 -47
S1746K1	56 - 8
S1746K14	57 -46
S1746K2	52 -56
S1746K2	53 -35
S1746K2	55 -47
S1746M1	56 - 8
S1746M14	57 -46
S1746M2	52 -56
S1746M2	53 -35
S1746M2	55 -47
S1746N1	56 - 8
S1746N14	57 -46
S1746N2	52 -56
S1746N2	53 -35
S1746N2	55 -47
S1752-1	108 - 2
S1752-2	58A-39
S1752-6	58B-42
S1759	129A-32
S1760-1	96B- 3
S1760-1	96B-31
S1762-2	58A-47
S1771-1	100B-24
S1776-4	20 -75B
S1791-1	96B- 2
S1791-1	96B-30
S1793-1	96B-22
S1793-1	96B-47
S1793-2	96B-21
S1794-1	96A-21
S1794-1	96B-28A
S1794-1	96B-48
S1800-1	96B- 5
S1800-1	96B- 6
S1800-1	96B- 7
S1800-1	96B- 8
S1800-1	96B- 9

PART NUMBER	FIGURE AND INDEX NO.
S1800-1	96B-10
S1800-1	96B-11
S1800-1	96B-23
S1800-1	96B-33
S1800-1	96B-34
S1800-1	96B-35
S1800-1	96B-36
S1800-1	96B-37
S1800-1	96B-38
S1800-1	96B-39
S1800-1	96B-40
S1800-1	96B-41
S1800-1	96B-42
S1800-1	96B-43
S1807-1	128 -13
S1807-1	128 -54
S1807-2	128 - 5A
S1807-2	128 -13
S1809-1	63 - 2
S1810-1000	92 - 2A
S1819-3	100 -72
S1819-3	100A-63
S1819-4	96 -20
S1819-5	100 -53
S1819-5	100A-44
S1827-1	33 -24
S1844-1-1	59B- 1
S1845-1-1	59B- 4
S1846-1-1	59B- 5
S1846-1-2	59B- 2
S1847-1-1	59B- 3
S1847-1-1	60B-10
S1854-1	110B-17
S1855-1	126A-57
S1867-1	31 -31
S1894-1	58B-31
S1895-1	61 - 4
S1898-1	58B- 2
S1898-1	58B- 4
S1898-1	60B- 2
S1898-1	60B- 7
S1899-1	60B-13
S1899-2	60B-12
S1901-1	129C-21
S1902-1	58B-31
S1910-1	129C-16
S202R	85 -53
S202R	85 -54
S202RB	1 -16
S202RB	73 -51
S202RB	73 -52
S202RB	73 -56
S202RB	74 -43
S202RB	74 -44
S202RB	74 -48
S202RB	85 - 4
S202RB	86 -42
S202RB	86 -51
S202RB	86 -52
S202RB	86 -53
S202VW	1 -16
S225-3	8 -13
S225-4	3 -19
S225-4F	3 -62
S225-4F	23 -43
S225-4F	23 -43
S225-5	23 -16
S225-6	23 -11
S225-7	23 -17
S225-8	7 -39
S226-5F	4 -89
S226-5F	4 -93
S226-5F	5 -31
S237-4	8 -12
S237-6	7 -38

PART NUMBER	FIGURE AND INDEX NO.
S272-5	125 -11
S272-5	126 - 5
S272-9	125 -12
S272-9	126 - 4
S290-1032	3 -57
S290-832	3 -60
S290-832	3 -61
S292-1	1 -17
S292-11	1 -17
S292-12	1 -17
S292-14	1 -17
S292-15	117 -11
S292-15	117 -12
S292-16	1 -17
S292-2	1 -17
S292-28	1 -17
S292-3	1 -17
S292-4	1 -17
S292-5	1 -17
S292-6	1 -17
S292-8	1 -17
S3LP-DT10-27	6 -11
S3LP-DT10-33	6 -10
S3LP-DT10-38	6 - 9
S3LP-DT10-45	6 - 8
S338-5	97 -64
S338-5	101 -17
S338-9	97 -63
S338-9	101 -18
S339-3	20 -25
S339-3	97 -63
S339-3	97 -64
S339-3	101 -18
S339-9	20 -25
S347-1	20 -75A
S350	3 -52
S352	26 - 4
S352	26 - 8
S353-6	26 -12
S354-1	26 - 6
S354-1	26 -10
S354-1	26 -14
S354-3	126A-58
S378-1	92 -45
S378-1	98 -56
S378-1	101A- 5
S378-1	101A-24
S378-1L	96A-13
S378-1L	98 -21
S378-1L	98 -57
S378-1L	98A-43
S378-3L	97 -39
S378-3L	98 -46
S378-3L	101 -29
S378-4	96 -35
S378-4	97 -51
S378-4	97 -56
S378-4	97 -65
S378-4	97 -70
S378-4	97 -73
S378-4	97 -76
S378-4	98 -31
S378-4	98 -36
S378-4	100 -74
S378-4	100A-69
S378-4	101 -12
S378-4	101 -19
S378-4	101 -33
S394	96 -31
S430-1	103 -44
S51-10	1 -15
S51-12	1 -15
S51-12	73 -16
S51-12-12	74 -19
S51-16	1 -15

PART NUMBER	FIGURE AND INDEX NO.
S51-32	1 -15
S51-4	1 -15
S51-6	1 -15
S51-8	1 -15
TF10052	105 -16
TRA2233	95 - 9
TSIO520C	74 -
TSIO520H	74 -
TVA	96B- 1
TVA	96B-29
USM5B	77 -23
USM5B	128 -23
U4211-3.75M	79 -15
VM911M4A	59 -14
VM911M4A	59A-13
VM911M4A	59B-15
VM920M3	59 -15
VM920M3	59A-14
VM920M3	59B-16
V3L-3	100 -90
V3L-3	100B-13
XR6637	59 - 8
XR6637	59A- 7
XR6637	59B- 6
X26263	128 -55
YZ2RQIT	133 - 5
ZF604	127 -62A
ZF604	127A-74
ZH716	127 -87
ZH716	127 -95
ZH716	127A-94
ZH716	127A-99C
ZH727-14	127 -88
ZH727-14	127 -92
ZH727-14	127A-95
ZH727-14	127A-99
ZH727-22	127 -92
ZH727-22	127A-99
ZH727-8	127 -88
ZH727-8	127A-95
Z340-3	127 -93
Z340-3	127A-99A
Z651-1	127 -28
Z651-1	127A- 3
Z651-13	127 -30
Z651-13	127A- 5
Z651-3	127 -29
Z651-3	127A- 4
Z687-1	127 -31
Z687-1	127A- 6
Z687-2	127 -32
Z687-2	127A- 7
Z687-3	127 -33
Z687-3	127A- 8
Z730-7	127 -94
Z730-7	127A-99B
Z736	127 -91
Z736	127A-98
OAS200-1	118 - 3
01	49 -36
03-403-09	36 -35
0310295	99 - 2
0310297-1	99 - 3
0310298-1	99 - 4
0310332	99 - 7
0310362-5	99 -12
0310422-1	99 - 8
0311319-1	24 -36
0311319-2	24 -36
0311538-12	108 - 1
0312155-10	128 -50
0332136-6	11 -67
0400210-1	64 -14
0411030-5	50 - 3
0411030-5	58 -62

PART NUMBER	FIGURE AND INDEX NO.
0411030-5	58A-48
0411030-6	50 - 3
0411030-6	58 -62
0411185-7	43 -37
0411185-9	43 -37
0411307	93 -10
0411491-1	98 -18
0411523	98 -50
0411524	98 -51
0411549	93 -18
0411550	93 -19
0411562	93 -27
0411564	93 -31
0411564-3	93 -32
0411573-1	93 -26
0411680	24 -83
0411778-2	93 - 7
0411778-4	93 - 8
0411783	96 -32
0411783	100 -81
0411783	100 -87
0411783	100A-76
0411851	43 -11
0411875-25	85 - 3
0412007-8	71 -48
0412007-8	72 -36
0412167-1	25 -30
0412496	17 - 7
0413195-5	45 -28
0413247	3 -54
0413247	58 -14
0413317	43 - 9
0413317-1	44 - 9
0413416-4	101A-23
0422344	29 -32
0422358-2	96A- 6
0432126	98 -63
0432138-14	98 - 8
0432138-17	98 -14
0432138-19	98 -61
0433006-7	30 - 3
0441119	36 -19
0441139-5	36 -29
0441139-6	36 -29
0441148	94 -15
0450191-1	73 -42
0450277-10	85 -49
0450277-3	85 -13
0450277-3	86 -29
0450277-6	85 -24
0450277-6	86 -20
0450277-9	85 -12
0450277-9	85 -23
0450277-9	86 -21
0450286-1	15 -41
0450311-3	106 -20
0450311-5	89 -39
0450311-5	90 -21
0450311-5	90 -29
0450311-5	91 -21
0450311-5	91 -34
0450311-5	127 -15
0450311-5	127A-30
0500130-1	2 -35
0500228-2	62 -23
0500228-3	62 -24
0500248-1	2 - 1
0500310-1	64 - 4
0500312-2	64 - 1
0500313-1	64 - 3
0505005-1	2 -10
0505009-1	2 -50
0510111-11	97 -36
0510111-13	97 -36
0511001-131	51 -12

PART NUMBER	FIGURE AND INDEX NO.
0511001-150	47 -14
0511176	24 -32
0511176	129 -28
0511189-1	43 - 8
0511189-1	44 - 8
0511189-2	43 - 7
0511189-2	44 - 7
0511199-20	103 -45
0511233-7	62 - 1
0511301-175	52 -60
0511301-175	53 -39
0511301-176	52 -60
0511301-176	53 -39
0512000-66	24 -83
0513039-7	58 -40
0513039-7	58A-39
0513039-7	58B-42
0513208-1	131 - 8
0522629	96 -14
0522629	100 -44
0522629	100 -64
0522629	100A-35
0523118-1	3 -23
0523615-1	3 -45
0523616-1	3 -46
0523918	8 -14
0523919	8 - 1
0523920	8 - 2
0523921	8 - 6
0523921-1	95 - 3
0526001-1	6A- 3
0526001-1	6A- 4
0526001-6	6A- 2
0541115-4	62 - 8
0541124-1	36 -24
0541138-16	94 -
0541138-3	94 -
0541138-5	94 - 3
0541139	94 - 3
0541140	94 - 1
0541143	94 - 6
0541144	94 - 7
0541148-1	94 -10
0541149	94 -16
0541151	94 -17
0541157-1	36 -29
0541157-2	36 -29
0541184-1	94 -11
0541184-200	94 -11
0543001	31 - 9
0543003	31 -11
0543029	33 -27
0543035-7	33 -49
0543036-1	33 -24
0543037-1	31 -10
0543047-1	33 -51
0543047-1	33 -56
0543048-1	33 -56
0550100-6	110 -73
0550100-6	110B-49
0550100-9	71 -28
0550100-9	104 - 8
0550100-9	104A-16
0550177-1	110 -45
0550177-1	110B- 7
0700105-396	51 - 2
0700148-1	134 -10
0700162-1	58 -21
0700162-1	58A-10
0700162-1	58B-12
0700162-3	58A- 8
0700162-3	58B-10
0700162-4	58A- 8
0700162-4	58B-10
0700162-6	58 -19

PART NUMBER	FIGURE AND INDEX NO.
0700162-6	58A- 8
0700162-6	58B-10
0700162-7	58A- 8
0700162-7	58B-10
0700164-6	63 - 1
0700166-1	2 -31
0700166-1	43 - 6
0700166-2	2 -32
0700166-2	44 - 6
0700178-5	2 -40
0700179-3	2 -36
0700184-1	2 -33
0700189-2	58 -20
0700189-2	58A- 9
0700189-2	58B-11
0700309-2	85 - 5
0700309-3	85 - 7
0700309-6	85 - 2
0700309-7	85 - 1
0700318-7	73 -50
0700318-7	74 -42
0700318-7	85 -52
0700318-8	73 -49
0700318-8	74 -41
0700319-12	2 -24
0700319-12	88 - 6
0700319-13	2 -23
0700319-13	88 - 6
0700616-1	131 - 4
0700617-1	131 - 5
0700623-11	129 -17
0700623-11	129A-17
0700623-11	129B-17
0700623-12	129 -17
0700623-12	129A-17
0700623-12	129B-17
0700623-14	129 - 8
0700623-14	129A- 8
0700623-14	129B- 8
0700628-5	129 - 6
0700628-5	129A- 6
0700628-5	129B- 6
0700629-1	128 -12
0700630-15	53 -
0700630-16	53 -
0700630-210	53 - 1
0700630-216	53 -16
0700631-5	54 -
0700631-6	54 -
0700633-1	54 - 8
0700633-2	54 - 7
0700633-4	54 - 8
0700634-1	54 -14
0700636-1	53 -32
0700638-1	54 -16
0700639-1	54 - 5
0700639-2	54 - 6
0700640-1	54 - 1
0700640-2	54 - 1
0700640-5	54 - 2
0700640-6	54 - 2
0700641-1	54 - 3
0700641-2	54 - 4
0700642-1	54 -30
0700643-1	54 -32
0700644-1	54 -35
0700645-1	54 -40
0700645-2	54 -41
0700645-3	54 -42
0700645-4	54 -43
0700668-5	47 -27
0700685-1	48 - 4
0700688-1	20 -87
0700704-1	18 -11
0700705-1	2 - 5

PART NUMBER	FIGURE AND INDEX NO.
0700707-11	49 -39
0700729-10	127 - 7
0700732-1	127 - 9
0700735-2	127 -78
0700737-10	60A- 9
0700737-12	60A- 9
0700737-2	60 - 9
0700737-3	58A-94
0700737-7	60 - 9
0700737-7	60 - 9
0700737-8	60 - 9
0700742-1	2 - 2
0700745-1	2 - 3
0700745-2	2 - 4
0700756-1	61 -12
0705001-2	2 -49
0710013-2	89 -22
0710013-3	89 -31
0710013-4	89 -15
0710014-8	89 -20
0710014-9	89 -28
0710015-11	89 -27
0710015-12	89 -18
0710015-13	89 -17
0710015-5	89 -26
0710015-6	89 -30
0710015-9	89 -23
0710312-2	53 -28
0710602-19	14 -20
0710602-20	14 -20
0710613-1	21 - 7
0710620-10	44 -15
0710620-11	43 -19
0710620-16	44 -35
0710620-214	44 -14
0710620-215	43 -17
0710620-220	44 -14
0710620-221	43 -17
0710620-28	44 -36
0710620-60	44 -44
0710620-61	43 -55
0710620-81	43 -30
0710620-82	44 -19
0710620-87	43 -18
0710620-88	44 -15
0710620-9	43 -18
0710622-1	43 -21
0710622-2	44 -22
0710623-1	43 -22
0710623-2	44 -23
0710624-1	43 -23
0710624-1	44 -24
0710625-1	43 -13
0710625-1	44 -12
0710625-5	43 -13
0710625-5	44 -12
0710626-11	43 -44
0710626-12	44 -34
0710632-1	52 -62
0710632-1	53 -41
0710637-1	43 -25
0710637-1	44 -26
0710638-1	17 -36
0710638-1	43 -53
0710638-1	44 -43
0711016-1	45 - 4
0711021-1	43 -39
0711021-4	43 -41
0711021-7	43 -16
0711021-9	43 -40
0711027-1	43 - 5
0711027-1	44 - 5
0711033-1	43 -10
0711034-1	43 -27

PART NUMBER	FIGURE AND INDEX NO.
0711034-1	44 -16
0711037-14	44 -29
0711037-15	43 -32
0711037-16	44 -30
0711037-17	43 -33
0711037-18	44 -31
0711037-19	43 -34
0711037-20	44 -32
0711037-21	43 -35
0711038-1	43 -36
0711038-1	44 -33
0711050-15	43 -47
0711050-18	43 -45
0711050-201	43 -44
0711051-9	43 -46
0711063-6	45 -25
0711064-5	43 -28
0711064-5	44 -17
0711065-1	43 -29
0711065-1	44 -18
0711083-1	49 -22
0711111-1	46 -22
0711653-3	45 - 1
0711667-1	52 - 6
0711667-1	53 - 6
0711667-1	55 - 7
0711667-1	57 - 7
0711668-1	52 - 5
0711668-1	53 - 5
0711668-1	57 - 5
0711694-11	18 -17
0711694-12	18 -17
0711695-10	18 -14
0711695-7	18 -15
0711695-8	18 -15
0711695-9	18 -12
0711705-1	46 -25
0711709-1	46 -29
0711709-2	46 -28
0712605-201	128 - 3
0712616-3	29 - 3
0712616-5	29 - 4
0712629-3	29 -30
0712629-4	29 -30
0713019-24	90 -19
0713019-24	91 -19
0713029	128 -15
0713046	47 - 8
0713047	2 -21
0713070-15	92 -28
0713070-19	92 -44
0713070-24	92 -35
0713070-25	92 -26
0713070-32	92 -27
0713070-35	92 -42
0713070-4	92 -21
0713070-5	92 -22
0713070-6	92 -37
0713074-1	52 - 1
0713074-1	53 - 1
0713074-1	55 - 1
0713074-1	57 - 1
0713107-1	15 -34
0713124-1	3 -26
0713124-1	129 -14
0713124-1	129A-13
0713124-1	129B-13
0713134-1	15 -40
0713224-1	2 -30
0713245-200	95 -23
0713250-1	89 -19
0713252-1	58 -68
0713252-2	58 -68
0713254-5	2 -41
0713255-4	2 -42

PART NUMBER	FIGURE AND INDEX NO.
0713256-1	2 -43
0713272-1	92 - 2C
0713276-1	58A-81
0713277-1	58A-65
0713307-1	100B-36
0713307-2	87 -18
0713307-2	90 -30
0713307-2	91 -29
0713307-4	100B-28
0713307-4	100B-36
0713307-4	100B-36
0713307-6	87 -23
0713611-5	17 -17
0713611-6	17 -17
0713625-1	92 -48
0713633-3	17 -19
0713633-4	17 -19
0713701-1	87 -33
0713749-6	110 - 5
0713750-4	2 -22
0713772-1	15 - 7
0713772-1	58 -81
0713774-1	58 -80
0713774-1	58 -84
0713775-1	58A-79
0713775-2	58B-70
0713776-1	58 -92
0713776-1	58A-74
0713776-1	58B-64
0713778-4	61 - 1
0713779-1	58 -89
0713779-1	58A-72
0713779-1	58B-62
0713781-2	58 - 5
0713785-1	61 - 9
0713793-1	58 -56
0713801-2	58 -90
0713801-5	58 -85
0713802-2	58A-69
0713809-1	58A-80
0713809-1	58B-65
0713816-2	58 -33
0713817-7	64 -15
0713820-1	58 -26
0713823-1	58 -33
0713846-2	15 -43
0713847-11	15 -42B
0713847-6	47 - 6
0713854-1	59 -16
0713854-1	59A-12
0713854-1	59B-14
0713854-2	59 -16
0713854-2	59A-12
0713854-2	59B-14
0713856-2	58 -93
0713856-2	58A-85
0713856-2	58B-74
0713859-1	58 -69
0713859-2	58 -72
0713859-3	58 -73
0713859-4	58 -70
0713859-6	58 -69
0713859-7	58 -72
0713859-8	58 -73
0713860-1	61 -11
0713861-1	58 -63
0713861-1	58A-53
0713861-3	58 -64
0713861-3	58A-54
0713865-3	58 - 3
0713865-5	58 - 3
0713865-7	58 - 3
0713874-1	58 -58
0713874-2	58 -58
0713874-5	58 -59

PART NUMBER	FIGURE AND INDEX NO.
0713874-7	58 -57
0713881-1	61 - 6
0713881-2	61 - 6
0713883-1	61 -11
0716610-1	107 -48
0716612-201	107 -51
0716623-2	107 -53
0716623-2	107A-48
0716624-1	107 -56
0716624-1	107A-51
0721105-13	103 -32
0721105-14	103 -30
0721105-15	103 -30
0721105-3	103 -33
0721105-4	103 -34
0721105-5	103 -36
0721105-8	103 -35
0721305-3	5 -24
0731601-1	9 -15
0731602-1	9 -18
0731602-1	9A-18
0731602-2	9 -19
0731602-2	9A-19
0731603-1	9 -20
0731604-3	9 -28
0731604-4	9 -29
0731604-5	9 -30
0731604-5	9A-29
0731604-6	9 -31
0731604-6	9A-30
0731605-1	9 -44
0731606-1-791	9 -41
0731606-1-791	9A-38
0731606-3	132 -10
0731606-3-791	9 -42
0731606-3-791	9A-39
0731606-6-791	10 -27
0731606-8	132 -12
0731607-1	132 - 9
0732100-7	11 -52
0732106-2	11 -19
0732106-3	11 -20
0732600-3	11 - 8
0732601-5	11 -58
0732610-5	11 -38
0732610-6	11 -37
0732611-1	11 -30
0732611-2	11 -29
0732611-3	11 -28
0732611-4	11 -27
0733103	10 -15
0741048-1	36 -32
0741048-8	36 -32
0743622-1	35 - 1
0743623-3	35 -15
0743623-4	35 -13
0743623-6	35 -16
0743623-8	35 -10
0743624-2	35 -
0743627-1	31 -15
0743627-2	31 -15
0743627-3	31 -15
0743627-4	31 -15
075000-1	95 -40
0750101-68	81 -
0750101-71	81 -
0750117-31	85 -44
0750117-31	86 -40
0750121	74 - 5
0750121-1	73 -21
0750128-11	86 -26
0750135-1	85 -36
0750135-3	85 -38
0750135-3	85 -41
0750135-4	85 -43

PART NUMBER	FIGURE AND INDEX NO.
0750138	71 -33
0750139	73 -40
0750139	74 -34
0750152-3	73 -57
0750152-3	74 -49
0750152-3	86 -43
0750152-4	85 - 6
0750220-1	130 -11
0752037-1	73 -32
0752037-1	109 -17
0752608-3	16 -56
0752608-3	16A-69
0752608-4	16 -57
0752608-4	16A-70
0752610-1	128 -40
0752611-1	128 -37
0752620-1	65 -14
0752620-1	66 -14
0752635-1	69 -24
0752635-1	70 -24
0752635-2	69 -25
0752635-2	70 -25
0756005-2	106 - 3
0756005-3	106 -
0756008-1	106 -12
0756009-5	106 - 5
0756009-7	106 - 4
0756010-1	106 - 7
0756011-1	106 -10
0756012-1	106 - 9
0756014-1	106 -17
0756014-2	106 - 6
0756015-1	106 -14
0756022-1	109 -39
0760101-3	95 -69
0760104-1	95 -40
0760104-2	95 -41A
0760104-2	95 -41A
0760118-1	95 -14A
0760121-1	95 -40
0760602-1	17 -20
0760602-2	17 -20
0760610-1	96 -29
0760610-3	96 -40
0760621-1	29 -13
0760621-2	29 -14
0760633-1	95 -48
0760634-3	95 -17
0760642-1	95 -14
0760642-2	95 -13
0760643-1	95 - 5
0760644-1	95 - 4
0760646-2	95 - 2
0760649-3	95 -51
0760651-2	95 -40
0760651-2	95 -40
0760672-1	95 - 3
0760674-1	95 -19
0760681-1	95 -41A
0760681-1	95 -41A
0760681-2	95 -41A
0760682-1	93 -37
0761210-4	98 -15
0770038-2	128 -19
0770719-1	59 - 1
0770719-1	59A- 1
0770719-2	59B- 1
0770728-1	128 - 6
0800030-35	127 -95
0800045-11	127 -56
0800045-11	127 -62
0800045-11	127A-68
0800045-44	127 -79
0800111-2	62 -17
0800153-1	2 -27

PART NUMBER	FIGURE AND INDEX NO.
0811490-75	92 -32
0811751-1	44 -42
0811751-1	46 -17
08125	34 - 8
0812929-1	52 -74
0812929-1	53 -52
0812929-1	55 -58
0812929-2	52 -74
0812929-2	53 -52
0812929-2	55 -58
0812971-4	52 -73
0812971-4	53 -51
0812971-4	55 -57
0812971-5	52 -73
0812971-5	53 -51
0812971-5	55 -57
0813150-54	92 -33
0813150-55	92 -25
0813156-4	92 -36
0813526-6	46 -31
0813526-6	58 -45
0813569-3	58 -27
0813808-2	127 - 3
08231	34 - 2
08231	34 - 4
0841200-15	33 -42
0841200-18	33 -26
0841200-19	33 -25
0841200-21	33 - 4
0841200-25	33 -41
0841200-31	33 -47
0841200-7	33 - 3
0850500-30	77 -12
0851559-1	71 - 8
0851559-1	72 - 3
0851588-1	57 -25
0851700-96	85 -39
0851700-96	85 -42
0851700-96	86 -39
0851700-98	85 -51
1 1/4SC	121 -15
1/4 DIA.	111 -24
1A1002X	52 -54
1A1002X	53 -27
1D1194-1	126A- 6
1E1140	126B- 3
1E1157	126B-22
1E1297	126B-24
1E1324	126B- 3
10-300017	133 - 5
100PDLT44-6	25 -48
1000	61 - 4
10004-98	62 - 5
1007	1 - 4
102PDLN4	58 - 6
10850M3	59 -15
10850M3	59A-14
10850M3	59B-16
10850M4	59 -14
10850M4	59A-13
10850M4	59B-15
1111-517700	104 -10
1111-517700	104A-17
1195-0061	49 -37
12NE2935-064	42 - 2
1200008-8	62 -21
1200017-1	97 -43
1200017-1	97 -54
1200017-1	98 -39
1200017-1	98 -49B
1200017-1	101 -22
1200017-2	97 -61
1200017-2	98 -34
1200018-1	89 -42
1200018-2	89 -42

PART NUMBER	FIGURE AND INDEX NO.
1200028-1	3 -37
1200029-6	3 -37
1200029-9	5 -28
1200054-2	127 -83
1200054-2	127A-89
1200084-21	50 - 4
1200084-22	50 - 4
1200087-15	51 -11
1200106-108	73 -15
1200106-108	74 -18
1200106-111	108 -26
1200106-113	73 -14
1200106-113	74 -21
1200106-118	72 -41
1200106-118	74 -22
1200106-119	72 -51
1200106-119	74 -25
1200106-122	74 -17
1200106-124	110 -69
1200106-124	110B-41
1200106-126	110 -71
1200106-126	110B-46
1200106-127	71 -55
1200106-127	109 -23
1200106-128	108 - 6
1200106-131	108 - 4
1200106-132	128 -24
1200106-133	74 -16
1200106-134	74 -14
1200106-135	74 -15
1200106-136	110 -87
1200106-136	110B-65
1200106-137	109 -49
1200106-138	109 -23
1200106-139	74 -17A
1200106-140	74 -17C
1200106-141	74 -17D
1200106-36	71 -54
1200106-36	72 -50
1200106-36	72 -55
1200106-41	110 -56
1200106-41	110B-28
1200106-49	73 -11
1200106-50	73 - 9
1200106-54	73 -18
1200106-6	73 - 6
1200106-63	107 -33
1200106-7	73 - 5
1200106-77	107 -29
1200106-78	104 - 6
1200106-83	72 -46
1200106-83	73 -23
1200106-83	74 -26
1200106-84	73 -13
1200106-88	108 - 7
1200106-89	108 -15
1200106-90	108 -16
1200109-11	109 - 2
1200136-1	54 -10
1200138-1	54 -23
1200139-1	54 -19
1200141-1	54 -12
1200141-2	54 -12
1200156-1	54 -25
1200159-1	54 -27
1200164-1	54 -34
1200186-1	54 -22
1200190-3	62 - 7
1200190-4	62 -13
1200190-5	62 - 6
1200191-200	88 - 7
1200191-201	88 - 8
1200193-33	51A- 3
1200193-34	51A- 2
1200193-35	51A- 1

PART NUMBER	FIGURE AND INDEX NO.
1200193-36	51A- 4
1200193-37	46 -30
1200405-10	127A-82
1200405-3	127 -70
1200405-4	127 -71
1200405-5	127 -69
1200405-5	127A-80
1200405-6	127 -69
1200405-6	127A-80
1200405-7	127 -67
1200405-7	127A-78
1200405-8	127 -68
1200405-8	127A-79
1200405-9	127A-81
1200406-100	104A- 3
1200406-12	104 -15
1200406-12	104A-59
1200406-19	104 -28
1200406-19	104A-40
1200406-20	104 -37
1200406-20	104A-48
1200406-21	104 -26
1200406-21	104A-38
1200406-22	104 -35
1200406-22	104A-46
1200406-25	104 -23
1200406-25	104A-35
1200406-55	104 -21
1200406-55	104A-33
1200406-61	104 - 4
1200406-63	105 - 9
1200406-65	105 -15
1200406-66	107 -38
1200406-67	107 -40
1200406-68	104 -19
1200406-68	104A-31
1200406-69	107 -43
1200406-70	107 -36
1200406-74	105 - 3
1200406-75	106 -28
1200406-81	104 -31
1200406-81	104A-43
1200406-82	104 -39
1200406-82	104A-50
1200406-83	3 -38
1200406-84	3 -38
1200406-85	3 -43
1200406-87	104 -33
1200406-87	104A-45
1200406-88	104 -41
1200406-89	104 -46
1200406-89	104A-55
1200406-90	104 -47
1200406-90	104A-56
1200406-91	104 -44
1200406-91	104A-53
1200406-92	104 -43
1200406-92	104A-52
1200406-93	107A-38
1200406-94	107A-31
1200406-95	107A-28
1200406-96	104A- 6
1200406-97	107A-33
1200406-98	107A-36
1200406-99	104A- 9
1200412-1	2 -26
1200415-5	127 -63
1200415-5	127A-75
1200415-7	127 -34
1200415-7	127A- 9
1200416-4	127 -22
1200417-28	127 -55
1200417-28	127A-67
1200417-29	127 -50
1200417-29	127A-64

PART NUMBER	FIGURE AND INDEX NO.
1200417-30	127 -45
1200417-30	127A-54
1200417-31	127 -46
1200417-31	127A-58
1200417-32	127 -42
1200417-32	127A-48
1200417-33	127 -36
1200417-34	127 -39
1200417-35	127 -41
1200417-35	127A-46
1200417-36	127 -49
1200417-36	127A-56
1200417-37	127 -50
1200417-37	127A-64
1200417-42	127A-17
1200417-43	127A-16
1200417-44	127A-44
1200428-1	127 -66
1200428-1	127A-77
1200444-1	49 - 9
1200444-2	49 -19
1200444-3	49 -20
1200444-4	49 -21
1200444-5	49 -14
1200444-6	49 -15
1200444-7	49 -16
1200446-1	52 -67
1200448-1	52 -69
1200448-1	53 -47
1200448-1	55 -53
1200453-10	52 -68
1200453-10	53 -46
1200453-10	55 -52
1200453-5	52 -72
1200453-5	53 -50
1200453-5	55 -56
1200453-9	52 -68
1200453-9	53 -46
1200453-9	55 -52
1200454-16	47 -21
1200454-200	52 - 1
1200454-202	52 -18
1200454-22	56 - 7
1200454-23	56 - 5
1200454-27	56 - 4
1200454-28	49 -44
1200454-31	49 -45
1200454-32	49 -46
1200454-34	49 -48
1200454-35	49 -49
1200454-36	47 -11
1200454-52	52 -
1200454-53	52 -18
1200454-53	55 -15
1200454-54	52 -12
1200454-54	55 -11
1200454-67	56 - 4
1200454-69	56 - 6
1200454-94	49 -47
1200460-14	47 - 4
1200460-15	49 - 1
1200460-16	49 - 2
1200460-20	49 - 4
1200460-21	49 - 3
1200460-6	47 - 1
1200467-11	51 -14
1200467-11	51 -19
1200467-14	51 - 1
1200467-15	51 - 3
1200467-16	51 - 4
1200467-19	51 - 5
1200467-2	47 -12
1200467-20	51 - 6
1200467-21	51 -13
1200467-27	51 -18

PART NUMBER	FIGURE AND INDEX NO.
1200467-3	47 -13
1200467-4	51 - 7
1200467-5	51 - 8
1200467-6	51 - 9
1200467-7	51 -10
1200467-8	51 -16
1200467-8	51 -17
1200467-9	51 -15
1200482-1	20 -95
1200483-1	20 -96
1200483-2	20 -96
1200484-11	20 -93
1200484-12	20 -94
1200484-13	20 -99D
1200484-14	20 -99E
1200484-15	20 -99F
1200484-17	56 - 1
1200484-2	20 -89
1200484-200	20 -88
1200484-201	20 -88
1200484-24	56 -13
1200484-25	20 -89
1200484-3	20 -90
1200484-30	20 -99A
1200484-31	20 -99A
1200484-4	20 -90
1200484-7	20 -91
1200484-8	20 -92
1200485-1	55 -
1200485-15	55 -20
1200485-16	55 -21
1200485-17	55 -37
1200485-18	55 -40
1200485-201	55 - 1
1200485-203	55 -14
1200485-8	55 -36
1200485-9	55 -32
1200487-1	23 -30
1200487-10	23 -29
1200487-11	23 -37
1200487-12	23 -38
1200487-2	23 -31
1200487-3	23 -28
1200487-4	23 -29
1200487-5	23 -39
1200487-6	23 -40
1200488-1	23 -45
1200488-2	23 -45
1200489-1	20 -97
1200489-2	20 -97
1200489-3	20 -99
1200489-4	20 -99
1200490-3	23 -54
1200490-4	23 -55
1200490-5	20 -98
1200490-6	20 -98
1200502-1	52 -48
1200503-1	52 -47
1200504-1	52 -39
1200504-3	52 -45
1200505-1	52 -41
1200506-3	49 -11
1200507-1	49 -10
1200507-2	49 -10
1200507-3	49 -12
1200507-4	49 -12
1200515-2	49 -29
1200515-7	49 -28
1200516-10	49 -31
1200516-12	49 -30
1200516-12	49 -33
1200516-3	49 -32
1200516-8	49 -30
1200516-8	49 -33
1200518-1	2 -18



PART NUMBER	FIGURE AND INDEX NO.
1200518-1	56 -16
1200519-1	49 -28
1200519-1	49 -31
1200521-2	62 -19
1200522-1	23 -44
1200523-20	49 -24
1200523-29	50 - 1
1200523-30	50 - 2
1200523-33	48 - 1
1200523-34	48 - 2
1200523-39	50 -16
1200523-40	50 -17
1200523-41	50 -16
1200523-42	50 -17
1200523-7	49 -50
1200524-1	23 -39
1200524-2	23 -40
1200524-5	23 -28
1200524-6	23 -29
1200525-16	57 -20
1200525-17	57 -20
1200525-27	57 - 9
1200525-28	57 -10
1200525-33	57 -34
1200527-4	52 -14
1200527-4	53 -14
1200527-7	23 -37
1200527-8	23 -38
1200528-1	57 -14
1200534-1	57 -
1200534-12	57 - 2
1200534-13	57 -15
1200534-14	57 -39
1200534-15	57 -42
1200534-16	57 -44
1200534-2	57 -16
1200534-3	57 -17
1200534-4	57 -12
1200534-5	57 -13
1200534-7	57 -40
1200534-8	57 -41
1200534-9	57 -43
1200535-11	47 -22
1200535-16	47 -25
1200535-19	47 -24
1200535-20	50 -24
1200535-200	47 -14
1200535-201	47 -14
1200535-22	50 - 7
1200535-24	47 -23
1200535-26	48 - 7
1200535-27	48 - 6
1200535-28	50 -19
1200535-29	50 -18
1200535-3	49 -17
1200535-30	50 -23
1200535-31	49 -42
1200535-35	47 -15
1200535-38	47 -18
1200535-39	47 -19
1200535-40	47 -20
1200535-41	50 -10
1200535-42	49 - 7
1200535-43	48 - 8
1200535-44	47 -16
1200535-45	47 -17
1200535-46	47 -26
1200535-48	47 -24
1200535-50	50 - 7
1200535-52	47 -16A
1200535-53	47 -16B
1200535-54	47 -15A
1200535-58	50 - 7
1200535-59	50 - 6
1200535-6	48 - 9

PART NUMBER	FIGURE AND INDEX NO.
1200535-7	50 -20
1200535-8	50 -21
1200535-9	49 -41
1200536-1	127 - 1
1200538-1	52 -
1200538-10	52 -55
1200538-10	53 -34
1200538-2	52 -17
1200538-2	53 -16
1200538-200	52 -18
1200538-201	52 - 1
1200538-4	52 -18
1200538-5	52 -12
1200538-5	53 -12
1200538-5	53 -18
1200538-7	52 -13
1200538-7	53 -13
1200538-9	52 -55
1200538-9	53 -34
1200539-1	53 -
1200539-2	53 -
1200539-200	53 -16
1200539-201	53 - 1
1200541-1	49 -26
1200541-2	49 -25
1200542-3	24 -85
1200542-4	24 -84
1200542-6	24 -85
1200543-1	48 -11
1200543-2	48 -12
1200544-1	43 -20
1200544-2	44 -20
1200544-3	43 -20
1200544-4	44 -21
1200545-4	48 -10
1200551-1	57 - 8
1200553-1	24 -86
1200553-8	49 -51
1200553-9	49 -43
1200554-1	14 -32
1200556-1	50 - 1
1200556-19	50 -16
1200556-2	50 - 2
1200556-20	50 -17
1200556-3	48 - 1
1200556-4	48 - 2
1200556-5	50 -16
1200556-6	50 -17
1200556-7	49 -50
1200556-8	49 -51
1200556-9	49 -43
1200561-1	50 - 1
1200561-19	50 -16
1200561-2	50 - 2
1200561-20	50 -17
1200561-23	49 -24
1200561-3	48 - 1
1200561-4	48 - 2
1200561-5	50 -16
1200561-6	50 -17
1200561-7	49 -50
1200561-8	49 -51
1200561-9	49 -43
1200604-11	57 -26
1200605-11	53 -18
1200605-12	53 -12
1200612-5	49 -40
1200614-2	73 -48
1200614-2	74 -40
1200614-4	73 -53
1200614-4	74 -45
1200646-1	49 - 6
1200647-2	49 - 4
1200673-1	2 -15
1200675-10	47 - 5

PART NUMBER	FIGURE AND INDEX NO.
1200678-2	2 -10
1200696-1	50 -22
1200701-1	2 -29
1200701-1	58 -99C
1200702-4	88 - 2
1200702-5	88 - 1
1200712-12	49 - 8
1200712-7	49 -57
1200712-9	49 -18
1200716-1	49 -27
1200727-19	60 - 5
1200727-23	60 - 1
1200727-25	60 - 1
1200727-27	60 - 1
1200736-3	50 - 6
1200736-3	134 - 1
1200736-4	50 - 7
1200736-4	134 - 1
1200736-7	50 - 6
1200736-7	134 - 1
1200736-8	50 - 7
1200736-8	134 - 1
1200738-1	127 - 5
1200738-3	127 - 8
1200745-1	2 -20
1200756-5	49 -52
1200756-8	49 -52
1200757-1	127 -47
1200757-1	127A-59
1200757-2	127 -48
1200757-2	127A-60
1200757-3	89 -12
1200757-3	127 -43
1200757-3	127A-52
1200757-4	89 -13
1200757-4	127 -44
1200757-4	127A-53
1200758-1	89 - 8
1200758-2	89 - 8
1201013-5	126B-29
1201013-6	126B-30
1205001-16	2 -59
1205004-1	2 -46
1205006-1	128 -56
1205009-1	58A-31
1205009-1	58B-33
1205010-1	2 -47
1205010-2	2 -48
1205010-3	2 -60
1205010-4	2 -60A
1205012-1	2 -45
1205013-12	2 -44
1205015-1	2 -52
1205016-1	2 - 8
1205018-1	2 -34
1205019-1	2 -58
1205023-2	2 -51
1205024-1	2 -17
1205024-1	128 -39
1205026-1	2 -57
1205027-1	2 -16A
1205027-2	2 -29A
1205029-1	2 -55
1205030-3	2 -53
1205030-4	2 -54
1205031-2	2 -11A
1205032-1	2 -56
1205035-1	2 -61
1205036-1	2 -14
1205037-1	2 -63
1205038-2	2 -13A
1205042-1	2 -64
1205043-1	2 -62
120541-1	2 -65
120905-3	95 -68

PART NUMBER	FIGURE AND INDEX NO.
1210037-1	100B-35
1210102-1	6 - 7A
1210102-2	6 - 5A
1210102-5	6 - 7C
1210102-6	6 - 6A
1210401-200	22 -17
1210401-201	22 -17
1210402-1	21 - 8
1210402-2	21 - 8
1210402-7	21 - 9
1210402-8	21 - 9
1210404-10	23 -12
1210404-7	23 -13
1210405-1	21 -12
1210405-2	21 -12
1210405-5	21 -13
1210405-6	21 -13
1210406-1	22 -18
1210406-2	22 -18
1210407-7	23 -23
1210407-8	23 -24
1210407-9	23 -25
1210408-1	23 -21
1210408-4	23 -22
1210408-5	23 -19
1210408-6	23 -20
1210409-1	21 -17
1210409-2	21 -15
1210409-3	21 -15
1210410-1	21 -14
1210410-2	21 -14
1210411-1	20 -70
1210411-2	20 -70
1210412-1	21 - 4
1210412-3	21 - 2
1210412-4	21 - 3
1210412-5	21 - 5
1210412-6	21 - 6
1210413-1	21 -10
1210414-1	20 -45
1210414-1	23 -26
1210414-2	20 -46
1210414-2	23 -27
1210417-1	22 -19
1210417-2	22 -19
1210418-2	21 -16
1210419-1	21 -11
1210420-1	23 -16
1210420-2	23 -11
1210420-2	23 -43
1210420-2	23 -45
1210421-1	23 -10
1210422-1	23 -13
1210423-1	23 -42
1210425-1	14 -30
1210425-2	14 -30
121050-201	95 - 1
1210701-2	21 -18
1210701-3	21 -27
1210701-4	21 -27
1210701-5	21 -19
1210702-1	14 -27
1210702-9	14 -27
1210703-1	6 - 5
1210703-2	6 - 6
1210703-3	6 - 7
1210703-4	6 - 7B
1210703-5	6 - 5
1210703-6	6 - 6
1210703-7	6 - 7
1210703-8	6 - 7B
1210704-1	3 - 2
1210704-2	3 - 3
1210705-1	14 -10
1210705-9	14 -10

PART NUMBER	FIGURE AND INDEX NO.
1210708-13	14 -12
1210708-14	14 -12
1210708-3	14 -15
1210708-4	14 -15
1210708-5	14 -13
1210708-6	14 -14
1210708-8	14 -12
1210708-9	14 -12
1210709-1	14 -17
1210709-11	14 -19
1210709-12	14 -19
1210709-2	14 -17
1210709-5	14 -16
1210709-6	14 -16
1210709-7	14 -18
1210709-8	14 -18
1210713-1	89 -14
1210717-1	24 -82
1210717-2	24 -82
1211012-1	129A- 1
1211012-1	129B- 1
1211012-1	1211085-6
1211013-2	129A-29
1211014-1	129A-36
1211016-1	127A-27
1211017-1	127A-22
1211018-1	127A-21
1211019-2	129A-31
1211043-1	129A-35
1211044-1	129A-34
1211047-1	127A-14
1211047-2	127A-14
1211048-1	127A-12
1211049-1	129A-27
1211049-1	129B-27
1211060-1	23 -48
1211060-2	23 -49
1211061-10	24 -55
1211061-11	24 -56
1211061-12	24 -56
1211061-13	24 -57
1211061-14	24 -51
1211061-14	24 -57
1211061-25	24 -45
1211061-26	24 -47
1211061-27	24 -48
1211061-28	24 -44
1211061-29	24 -46
1211061-30	24 -47
1211061-31	24 -48
1211061-32	24 -44
1211061-33	24 -56
1211061-34	24 -55
1211061-34	24 -57
1211061-36	24 -56
1211061-36	24 -59
1211061-37	24 -44
1211061-37	24 -47
1211061-38	24 -49
1211061-38	24 -58
1211061-39	24 -59
1211061-40	24 -59
1211061-45	46 -15
1211061-46	44 -39
1211061-47	46 -14
1211061-5	24 -44
1211061-51	24 -60
1211061-52	24 -54
1211061-54	44 -38
1211061-56	24 -62
1211061-57	24 -62
1211061-6	24 -44
1211061-60	44 -40
1211061-61	44 -41
1211061-7	24 -47
1211061-8	24 -48

PART NUMBER	FIGURE AND INDEX NO.
1211061-9	24 -55
1211062-1	46 - 8
1211062-2	46 - 9
1211063-1	46 - 5
1211063-2	46 - 4
1211064-1	46 -11
1211064-2	46 -10
1211065-1	24 -40
1211065-2	24 -41
1211066-1	23 -51
1211066-3	23 -50
1211066-4	23 -53
1211066-5	23 -52
1211067-1	24 -39
1211070-5	24 -43
1211070-7	24 -38
1211084-1	129B-34
1211085-1	129B-29
1211085-3	129B-29
1211085-4	129B-29
1211085-6	129B-29
1211087-1	129B-35
1211116-1	20 -23
1211249-2	43 - 5A
1211249-2	44 - 5A
1211251-2	43 - 6
1211251-2	44 - 6
1211252-1	46 -26
1211400-14	24 -52
1211400-16	24 -63
1211400-22	20 -69
1211400-3	20 -76
1211400-4	20 -77
1211400-5	20 -78
1211401-1	20 -49
1211401-1	28 -25
1211401-2	20 -50
1211401-3	28 -26
1211402-15	20 -44
1211402-16	20 -44
1211404-1	20 -51
1211404-2	20 -52
1211405-1	20 -53
1211405-2	20 -53
1211409-1	20 -10
1211410-1	20 - 5
1211413-1	20 -11
1211414-13	20 -28
1211414-14	20 -29
1211414-15	20 -39
1211414-18	23 -42
1211414-2	20 -38
1211414-22	20 -26
1211414-23	20 -27
1211414-26	20 -32
1211414-27	20 -33
1211414-28	23 -32
1211415-1	20 -30
1211415-2	20 -31
1211416-1	20 -26
1211417-1	20 -25
1211417-3	20 -25
1211418-1	20 -35
1211418-2	20 -36
1211418-3	20 -36
1211418-4	20 -38
1211418-6	20 -37
1211419-1	20 -35
1211420-1	21 -21
1211422-1	22 - 2
1211422-3	22 -13
1211422-4	22 -13
1211423-1	22 - 1
1211423-2	20 -25
1211423-2	22 -20



PART NUMBER	FIGURE AND INDEX NO.
1211423-3	22 -14
1211423-4	22 -14
1211423-5	22 -15
1211423-6	22 -15
1211423-7	22 -16
1211424-3	22 - 3
1211424-4	22 - 3
1211425-1	22 - 9
1211425-2	22 - 9
1211426-1	24 -35
1211427-10	20 -56
1211427-16	20 -54
1211427-2	20 -57
1211427-6	20 -55
1211427-9	20 -56
1211431-17	28 -13
1211431-18	28 -13
1211431-19	28 -14
1211431-20	28 -14
1211431-3	28 -12
1211431-4	28 -12
1211431-5	28 -10
1211431-6	28 -11
1211432-13	20 -22
1211432-2	20 -19
1211432-28	20 -21
1211435-11	18 -10
1211436-10	24 -20
1211436-11	24 -18
1211436-9	24 -19
1211437-3	20 -86
1211437-4	20 -86
1211440-5	24 -14
1211444-2	20 -24
1211444-4	20 -18
1211446-1	39 -11
1211447-10	39 - 6
1211447-13	39 - 1
1211447-14	39 - 2
1211447-9	39 - 5
1211448-200	46 - 1
1211448-201	46 - 1
1211448-23	46 -13
1211448-24	46 -12
1211448-29	46 -13
1211448-8	46 -20
1211450-1	20 -66
1211450-2	20 -67
1211451-2	20 -48
1211451-4	20 -47
1211455-3	39 - 9
1211455-4	39 - 9
1211455-5	39 -10
1211455-6	39 -10
1211456-16	39 -23
1211456-17	39 -22
1211456-18	39 -22
1211456-19	39 -21
1211456-20	39 -21
1211456-21	39 -14
1211456-22	39 -15
1211457-1	39 -32
1211459-1	39 -34
1211460-1	20 -44
1211461-1	20 - 6
1211461-2	20 - 7
1211462-1	20 -20
1211462-4	126A-17
1211462-5	126A-18
1211463-1	39 -33
1211464-1	20 - 3
1211464-2	20 - 4
1211466-1	41 - 1
1211467-1	20 -60
1211467-2	20 -61

PART NUMBER	FIGURE AND INDEX NO.
1211469-11	20 -59
1211471-1	21 -20
1211471-2	21 -20
1211474-1	20 -15
1211477-9	23 -47
1211480-1	20 -40
1211480-1	39 -19
1211480-2	20 -40
1211480-2	39 -20
1211480-3	20 -40
1211480-4	20 -40
1211480-5	20 -39
1211480-5	39 -12
1211480-6	20 -39
1211480-6	39 -13
1211480-7	20 -39
1211480-8	20 -39
1211489-5	20 -88
1211489-6	20 -88
1211493-1	20 - 1
1211494-2	20 - 2
1211497-2	23 -46
1211499-1	20 -68
1211644-1	46 -32
1211685-1	55 -51
1211685-1	56 -14
1211710-1	24 -27
1211710-11	24 -27
1211710-12	24 -27
1211710-2	24 -27
1211710-3	24 -27
1211710-4	24 -27
1211710-9	24 -27
1211711-1	20 -44
1211712-1	24 -15
1211712-2	24 -15
1211713-1	24 -22
1211713-2	24 -22
1211714-1	24 -16
1211714-2	24 -16
1211715-1	13 - 7
1211715-2	13 - 8
1211715-9	13 - 8A
1211717-1	24 - 7
1211718-1	24 -10
1211720-10	20 -74
1211720-11	20 -81
1211720-12	20 -81
1211720-13	20 -80
1211720-14	20 -80
1211720-15	24 -79
1211720-16	24 -80
1211720-18	24 -81
1211720-2	24 -69
1211720-3	24 -70
1211720-4	24 -71
1211720-5	24 -72
1211720-6	24 -73
1211720-7	24 -74
1211720-8	24 -81
1211720-9	20 -73
1211730-1	18 -
1211730-15	18 - 8
1211730-16	18 - 9
1211730-2	18 -
1211730-3	18 - 1
1211730-4	18 - 2
1211730-5	18 - 6
1211730-6	18 - 6
1211730-7	18 - 7
1211730-8	18 - 7
1211732-1	20 -84
1211732-2	20 -85
1211732-3	1278- 7
1211733-1	24 -17

PART NUMBER	FIGURE AND INDEX NO.
1211734-1	24 -21
1211734-2	24 -21
1211735-1	24 -23
1211735-2	24 -23
1211736-1	24 -25
1211736-2	24 -25
1211737-1	24 -24
1211737-2	24 -24
1211738-1	24 -11
1211738-2	24 -11
1211739-1	24 -12
1211739-2	24 -13
1211740-1	24 -
1211740-2	24 -
1211740-3	24 - 3
1211740-4	24 - 4
1211740-7	24 - 1
1211740-8	24 - 2
1211742-1	20 -79
1211742-2	20 -79
1211743-1	20 -82
1211743-2	20 -83
1211744-1	24 -28
1211744-10	24 -34
1211744-11	24 -34
1211744-12	24 -31
1211744-13	24 -31
1211744-14	24 -30
1211744-2	24 -28
1211744-3	24 -28
1211744-4	24 -28
1211744-5	24 -29
1211744-6	24 -34
1211744-9	24 -33
1211745-1	20 -79
1211747-1	14 -23
1211747-13	14 -26
1211747-14	14 -26
1211747-15	14 -25
1211747-16	14 -25
1211747-19	14 -22
1211747-2	14 -23
1211747-20	14 -22
1211747-21	14 -29
1211747-22	14 -22
1211747-23	14 -22
1211747-3	14 -24
1211747-4	14 -24
1211747-7	14 -21
1211747-8	14 -21
1211748-1	24 - 5
1211748-2	24 - 6
1211749-1	14 -31
1211749-2	14 -31
1211751-1	24 -26
1211751-2	24 -26
1211752-1	24 -64
1211752-17	24 -68
1211752-2	24 -65
1211752-3	24 -66
1211752-4	24 -67
1211753-2	24 -78
1211755-1	24 -75
1211755-2	24 -76
1211756-1	24 -75
1211756-2	24 -76
1211757-1	24 - 8
1211757-2	24 - 9
1211758-1	24 -77
1211758-2	24 -77
1211760-1	1008-40
1212003-1	29 - 7
1212010-3-791	30 - 1
1212013-1	11 -64
1212013-2	11 -65

PART NUMBER	FIGURE AND INDEX NO.
1212100-2	1278-15
1212101-1	1278-10
1212102-1	1278-13
1212103-1	1278- 9
1212103-2	1278- 8
1212104-1	1278- 1
1212105-1	1278-16
1212106-1	1278- 5
1212141-1	11 -13
1212401-3	29 -
1212401-6	29 -
1212401-7	29 -31
1212402-2	29 -10
1212402-3	29 - 6
1212402-4	29 - 5
1212402-5	29 - 5
1212403-1	29 - 9
1212406-1	29 -35
1212407-1	29 -26
1212407-2	29 -27
1212408-3	29 -29
1212408-6	29 -28
1212409-3	29 - 2
1212409-4	29 - 1
1212409-5	29 -
1212410-1	29 - 5
1212411-7	28 - 5
1212411-8	28 - 4
1212412-10	28 - 6
1212412-11	28 - 6
1212412-2	28 - 6
1212412-9	28 - 6
1212413-2	28 - 7
1212413-5	28 - 7
1212413-6	28 - 7
1212413-7	28 - 7
1212414-2	28 - 8
1212414-6	28 - 8
1212414-7	28 - 8
1212414-8	28 - 8
1212415-2	28 - 9
1212415-5	28 - 9
1212415-6	28 - 9
1212415-7	28 - 9
1212416-1	28 -16
1212416-10	28 -20
1212416-13	28 -17
1212416-2	28 -16
1212416-22	28 -18
1212416-23	28 -18
1212416-3	28 -15
1212416-4	28 -15
1212416-7	28 -19
1212416-8	28 -19
1212416-9	28 -20
1212419-1	28 -32
1212420-3	28 -32
1212421-1	28 -30
1212423-1	30 - 1
1212424-2	29 -12
1212424-5	29 -11
1212424-7	29 -11
1212426-1	11 -59
1212426-2	11 -60
1212426-3	11 -62
1212426-4	11 -63
1212700-1	28 -
1212700-2	28 -33
1212700-3	28 -35
1212700-4	28 -36
1212700-5	28 -37
1212700-6	28 -
1212700-7	28 -41
1212807-1	28 -24
1212807-2	28 -24

PART NUMBER	FIGURE AND INDEX NO.
1212809-1	28 -22
1212809-2	28 -22
1212809-3	28 -23
1212809-4	28 -21
1212809-5	28 -21
1212818-1	29 -37
1212818-2	29 -38
1213001-10	27 - 5
1213001-11	27 - 6
1213001-12	16 -58
1213001-12	16A-71
1213001-13	16 -58
1213001-13	16A-71
1213001-14	16 -51
1213001-14	16A-64
1213001-15	27 - 9
1213001-16	15 -42A
1213001-18	15 -36
1213001-21	16A-68
1213001-22	16A-69
1213001-23	16A-69
1213001-5	15 -47
1213001-6	15 -47
1213001-7	15 -37
1213001-8	15 -38
1213004-1	58A-30
1213004-1	58B-32
1213005-1	58A-46
1213005-1	58B- 7
1213006-1	58A-52
1213006-3	58A-52
1213014-1	58A-51
1213045-2	58A-55
1213047-1	58A-56
1213049-1	15 -10
1213049-1	95 -32
1213049-2	15 - 9
1213049-2	95 -33
1213050-1	95 -34
1213051-2	15 -14
1213052-8	58A-34
1213052-9	58A-34
1213059-1	58A-64
1213059-1	58B-69
1213062-1	58A-76
1213062-1	58B-72
1213063-1	58A-75
1213063-1	58B-71
1213064-1	58A-60
1213064-1	58B-88
1213064-3	58 -71
1213065-1	58A-77
1213065-2	58A-78
1213079-1	87 -12
1213081-1	58A-68
1213084-1	95 -34A
1213088-1	58A-34
1213089-1	58A-49
1213089-2	58A-50
1213090-1	47 -10
1213092-1	15 -49
1213092-1	95 -12A
1213092-2	15 -49
1213092-2	95 -12B
1213094-1	58A-62
1213095-200	58A-60
1213096-2	60A- 1
1213096-4	58A- 3
1213096-5	60B- 1
1213096-6	58B- 3
1213115-1	17 -14
1213115-2	17 -14
1213116-1	58A- 5
1213116-1	58B- 6
1213129-1	38 -30

PART NUMBER	FIGURE AND INDEX NO.
1213138-1	58 - 1
1213138-11	58B- 1
1213138-5	58A- 1
1213138-5	58 - 1
1213138-7	60A- 5
1213138-8	60B- 6
1213139-2	58 -61
1213139-3	58 -65
1213139-4	58 -66
1213139-6	58 -60
1213141-1	58B-67
1213141-10	58B-55
1213141-2	58 -75
1213141-200	58 -73
1213141-3	58 -76
1213141-4	58 -77
1213141-5	58A-63
1213141-6	58A-61
1213142-6	58 -66
1213143-1	58 -88
1213143-1	58A-71
1213143-1	58B-61
1213144-1	129 -25
1213144-1	129A-25
1213144-1	129B-25
1213145-1	58 -91
1213145-1	58A-73
1213145-1	58B-63
1213146-1	61 - 6
1213147-1	95 -34
1213148-1	15 -11
1213149-1	15 - 9
1213149-2	15 -10
1213151-1	15 - 6
1213151-1	58 -82
1213151-1	58A-66
1213152-1	129 - 4
1213152-1	129A- 4
1213152-1	129B- 4
1213152-2	129 - 5
1213152-2	129A- 5
1213152-2	129B- 5
1213153-1	129 - 1
1213157-1	129 -27
1213158-1	109 -28
1213162-1	58B-69
1213163-1	58A- 4A
1213163-1	58B- 5
1213163-1	60B- 3
1213165-200	58B-53
1213167-1	58B-56
1213167-1	58B-59
1213167-3	58B-58
1213168-1	58B-83
1213169-1	15 - 7
1213169-2	58B-57
1213170-1	58B-84
1213173-1	58B-36
1213173-2	58B-36
1213174-2	58B-47
1213180-2	49 -52A
1213181-1	16A-32
1213181-2	16A-36
1213183-1	16A-19
1213183-2	16A-19
1213184-1	16A-28
1213184-2	16A-28
1213186-1	16A-76
1213186-2	16A-77
1213187-1	16A-90
1213187-2	16A-90
1213188-1	126B- 4
1213189-1	58B-46
1213190-1	58B-48
1213191-1	58B-50

PART NUMBER	FIGURE AND INDEX NO.
1213192-3	58B-49
1213193-2	58B-73
1213194-1	16A- 2
1213194-2	16A- 3
1213195-1	16A-91
1213195-2	16A-91
1213197-1	16A-57
1213198-1	129C- 9
1213199-1	129C- 7
1213209-2	2 -34
1213230-3	2 - 8
1213231-1	47 - 2
1213242-1	61 -13
1213242-1	128 -14
1213242-1	128 -59
1213258-1	129C-13
1213259-1	129C- 2
1213261-200	16A-82
1213261-200	87 - 9
1213261-201	87 - 2
1213261-202	87 - 1
1213261-203	87 - 2
1213261-204	87 - 1
1213263-1	16A-61
1213263-2	16A-61
1213292-1	38 -17
1213292-1	38A-31
1213293-1	64 - 4
1213294-1	58B-89
1213295-1	58B-54
1213298-1	61 - 8
1213340-1	16A-33
1213340-2	16A-34
1213340-3	16A-35
1213345-1	89 -36
1213400-20	16 -56
1213400-21	16 -55
1213400-43	16 -56
1213402-1	15 -24
1213402-2	15 -24
1213403-3	16 - 7
1213403-3	16A- 9
1213403-4	16 - 8
1213403-4	16A-10
1213404-1	16 -76
1213404-1	16A-54
1213404-2	16 -76
1213404-2	16A-54
1213405-1	16 -54
1213405-1	16A-67
1213406-17	17 - 9
1213406-18	17 -10
1213407-3	17 -26
1213408-2	17 -29
1213409-3	17 -27
1213409-4	17 -27
1213411-5	15 -26
1213411-6	15 -26
1213412-17	16 -13
1213412-17	16A-17
1213412-23	15 -22
1213412-24	15 -23
1213412-25	16 -12B
1213412-25	16A-16
1213412-26	16 -12B
1213412-26	16A-16
1213412-27	16 -13A
1213412-27	16A-18
1213412-28	16 -13
1213412-28	16A-17
1213412-29	16 -13
1213412-29	16A-17
1213412-30	16 -12
1213412-30	16A-14
1213412-31	16 -12

PART NUMBER	FIGURE AND INDEX NO.
1213412-31	16A-14
1213412-32	16 -12A
1213412-32	16A-15
1213412-34	16 -12
1213412-34	16A-14
1213412-35	16 -11
1213412-35	16A-13
1213413-3	15 -30
1213413-4	15 -25
1213414-5	15 -25
1213414-6	23 - 1
1213415-10	23 - 7
1213415-11	23 - 7
1213415-12	15 -27
1213416-1	15 -27
1213416-2	16A-21
1213417-10	16 -16
1213417-7	16 -15
1213417-8	16A-20
1213417-9	16 - 2
1213419-10	16 - 2
1213419-9	16 -18
1213420-14	16A-23
1213420-17	16A-27
1213420-21	16 -19
1213420-3	16 -20
1213420-4	16 -21
1213420-5	16 -22
1213420-6	16A-26
1213420-7	16 -23
1213421-1	16 -36
1213421-1	16A-40
1213422-1	16 - 3
1213422-1	16A- 4
1213422-3	16 - 4
1213422-3	16A- 5
1213422-4	16 - 4
1213422-4	16A- 6
1213423-1	16 -34
1213423-1	16A-39
1213423-1	16 -74
1213424-1	16A-52
1213424-1	16 -75
1213425-1	16A-53
1213425-1	16 -71
1213426-1	16A-49
1213426-1	16 -71
1213426-2	16A-49
1213427-1	16 -14
1213427-2	16 -31
1213428-3	16 -26
1213428-5	16 -49
1213429-1	16A-63
1213429-1	16 -24
1213430-12	16 -24
1213430-9	38 -20
1213431-1	38A- 3
1213431-1	38 -20
1213431-2	38A- 3
1213431-2	16 -52
1213431-3	16A-65
1213431-4	38 -31
1213431-4	38A-13
1213432-1	16 -70
1213432-1	16A-48
1213433-10	16 -81
1213433-10	16A-84
1213433-14	16 -83
1213433-15	16 -84
1213433-16	16 -62
1213433-16	16A-75
1213433-17	16 -85
1213433-17	16A-88

PART NUMBER	FIGURE AND INDEX NO.
1213433-2	16 -60
1213433-2	16A-73
1213433-26	16 -59
1213433-27	16 -79
1213433-28	16 -79
1213433-3	16 -61
1213433-3	16A-74
1213433-31	16A-87
1213433-32	16A-86
1213433-33	16A-73
1213433-34	16A-72
1213433-35	16A-72
1213433-36	16A-82
1213433-37	16A-82
1213433-4	16 -61
1213433-4	16A-74
1213433-6	16 -63
1213433-7	16 -64
1213433-8	16 -82
1213433-8	16A-85
1213433-9	16 -80
1213433-9	16A-83
1213434-3	49 -56
1213434-6	49 -52
1213440-2	16 -41
1213440-2	16A-55
1213440-3	16 -41
1213440-3	16A-55
1213443-1	16 -65
1213443-1	16A-78
1213443-2	16 -65
1213443-2	16A-78
1213446-1	16 -35
1213446-2	16 -35
1213446-3	16A-94
1213446-4	16A-94
1213449-1	16 -47
1213449-2	16 -47
1213450-1	16 -48
1213450-2	16 -48
1213450-3	16A-62
1213450-4	16A-62
1213453-1	15 -35
1213453-2	15 -35
1213454-1	17 -34
1213455-1	17 -35
1213456-1	16 -73
1213456-1	16A-51
1213456-2	16 -73
1213456-2	16A-51
1213457-1	16 -72
1213457-1	16A-50
1213458-1	16 -59
1213458-1	16A-72
1213458-2	16 -59
1213458-2	16A-72
1213459-1	15 -29
1213459-2	15 -29
1213460-1	15 -25
1213461-1	16 -53
1213461-1	16A-66
1213462-1	16 -66
1213462-1	16A-79
1213463-1	38 - 8
1213463-19	38 -10
1213463-2	38 - 9
1213463-20	38 -16
1213463-3	38 -14
1213463-4	38 -15
1213463-5	38 -11
1213463-6	38 -12
1213464-1	38 -13
1213466-1	38 - 1
1213466-2	38 - 2
1213466-7	38 -12

PART NUMBER	FIGURE AND INDEX NO.	PART NUMBER	FIGURE AND INDEX NO.	PART NUMBER	FIGURE AND INDEX NO.
1213467-1	38 -18	1213630-4	58 -74	1217004-200	44 -14
1213467-2	38 -19	1213632-1	58 -87	1217004-201	43 -17
1213467-7	38A- 1	1213632-1	58A-70	1217004-9	43 -18
1213467-8	38A- 2	1213632-1	58B-60	1217005-2	45 - 1
1213468-1	16 -50	1213636-2	58 -86	1217008-1	43 -56
1213469-205	16 -79	1213641-1	15 - 8	1217008-1	44 -45
1213469-205	87 - 9	1213645-1	58 -13	1217009-1	38A-16
1213470-3	87 - 6	1213645-1	58A-82	1217009-2	38A-17
1213470-4	87 - 8	1213645-1	58B-85	1217011-1	38A-24
1213470-5	87 - 6	1213646-1	58 -47	1217011-2	38A-25
1213470-6	87 - 8	1213646-1	58 -48	1217012-1	38A-26
1213472-1	87 - 9	1213646-1	58A-41	1217012-2	38A-27
1213473-1	49 - 5	1213646-1	58A-42	1217013-1	38A-29
1213473-2	49 - 6	1213646-1	58B-43	1217013-2	38A-30
1213475-3	15 -39	1213646-1	58B-44	1217014-1	38A-14
1213475-3	89 -32	1213646-2	58A-43	1217017-1	38A-35
1213475-4	15 -40	1213646-2	58B-45	1217019-1	16A-29
1213475-4	89 -33	1213650-1	58 -83	1217025-1	38A-32
1213478-1	15 -40	1213650-1	58A-67	1217026-1	16A-31
1213482-2	15 -40	1213650-1	58B-68	1217026-2	16A-30
1213483-1	15 -40	1213657-1	16 -86	1220-1-0	96A- 2
1213484-1	2 -25	1213657-2	16 -86	1220114-1	8 - 3
1213494-1	23 - 6	1213657-3	16A-89	1220120-1	13 - 7
1213495-1	23 -10	1213657-4	16A-89	1220120-2	13 - 8
1213496-1	16 -48	1213658-1	87 -29	1221001-10	4 -69
1213496-1	16A-62	1213686-1	87 -31	1221001-12	4 -
1213496-2	16 -48	1213686-6	87 -30	1221001-13	4 -
1213496-2	16A-62	1213700-2	15 -42	1221001-14	4 -70
1213496-3	16 -48	1213700-5	27 - 1	1221001-15	4 -
1213496-3	16A-62	1213700-6	27 - 1	1221001-16	4 -
1213496-4	16 -48	1213701-1	17 -	1221001-3	4 -62
1213496-4	16A-62	1213701-3	17 - 8A	1221001-4	4 -63
1213502-1	17 -28	1213701-4	17 - 8A	1221001-5	4 -64
1213508-1	15 -45	1213702-1	17 - 1	1221001-6	4 -65
1213512-1	23 - 8	1213702-2	17 - 2	1221001-7	4 -66
1213514-1	16 - 9	1213703-1	17 -15	1221001-8	4 -67
1213514-1	16A-11	1213703-2	17 -15	1221001-9	4 -68
1213514-2	16 - 9	1213704-1	17 -16	1221002-10	4 -69
1213514-2	16A-11	1213704-2	17 -16	1221002-12	4 -
1213514-3	16 -10	1213705-1	17 -30	1221002-13	4 -
1213514-3	16A-12	1213705-2	17 -31	1221002-14	4 -70
1213515-200	87 - 1	1213706-3	17 -18	1221002-15	4 -
1213515-201	87 - 2	1213706-4	17 -18	1221002-16	4 -
1213516-1	87 - 5	1213708-1	17 - 3	1221002-3	4 -62
1213516-2	87 - 7	1213710-1	3 -55	1221002-4	4 -63
1213516-3	87 - 5	1213710-2	3 -63	1221002-5	4 -64
1213516-4	87 - 7	1213710-2	3 -55	1221002-6	4 -65
1213517-1	16 - 5	1213710-9	3 -63	1221002-7	4 -66
1213517-1	16A- 7	1213711-1	14 -11	1221002-8	4 -67
1213518-1	87 - 3	1213711-1	27 -10	1221002-9	4 -68
1213518-2	87 - 4	1213713-1	17 -12	1221003-10	5 -48
1213519-1	87 -20	1213713-2	17 -13	1221003-11	5 -64
1213523-1	2 -16	1213714-1	17 -21	1221003-203	5 - 9
1213523-1	58 -99C	1213714-2	17 -22	1221003-205	5 - 9
1213524-1	16 -56	1213715-1	17 -23	1221003-8	5 -36
1213526-1	16 -88	1213715-2	17 -24	1221004-10	5 -48
1213526-2	16 -88	1213861-1	129C- 4	1221004-200	5 - 9
1213526-3	16 -87	1213861-2	129C- 4	1221004-202	5 - 9
1213526-4	16 -87	1215014-1	58A-95	1221004-204	5 - 9
1213527-1	87 -22	1216015-13	2 -11	1221004-3	6 -39
1213528-1	87 -26	1216015-9	2 -11	1221004-8	5 -36
1213528-2	87 -26	1216015-9	107 -50	1221005-10	6 -14
1213532-1	2 -13	1216018-1	104A-27	1221005-11	6 -15
1213535-1	2 -17	1216407-11	104 -17	1221005-12	6 - 4
1213535-1	128 -39	1216407-11	104A-29	1221005-14	6 -15
1213537-4	64 -11	1216407-12	104 -16	1221005-16	6 -14
1213537-6	64 -11	1216407-12	104A-28	1221005-200	6 -
1213538-1	16A-69	1216498-1	105 - 7	1221005-201	6 -
1213600-7	15 -46	1216600-200	107 -45	1221005-204	6 -
1213600-8	27 - 8	1216608-200	107 -52	1221005-205	6 -
1213615-2	25 -20	1216608-200	107A-47	1221005-207	6 -
1213621-1	16 -66	1216612-4	108 -10	1221005-208	6 -
1213621-1	16A-79	1216613-1	108 - 3	1221005-209	6 -
1213627-1	15 -18	1216613-7	108 - 3	1221005-22	6 - 3
1213627-2	15 -18	1217004-10	44 -15	1221005-23	6 -13

PART NUMBER	FIGURE AND INDEX NO.
1221005-25	6 - 3
1221005-26	6 -13
1221005-3	6 - 1
1221005-37	6 - 4
1221005-4	6 - 1
1221005-5	6 - 2
1221005-6	6 - 2
1221005-7	6 - 3
1221005-8	6 - 3
1221005-9	6 -13
1221006-1	7 -
1221006-10	7 - 4
1221006-11	7 - 7
1221006-15	7 - 6
1221006-16	7 - 6
1221006-2	7 -
1221006-3	7 - 3
1221006-4	7 - 3
1221006-7	7 - 5
1221006-8	7 - 7
1221006-9	7 - 4
1221007-10	8 - 8
1221007-11	8 -
1221007-12	8 -
1221007-13	8 - 9
1221007-14	8 - 9
1221007-17	8 -10
1221007-18	8 -10
1221007-19	8 -41
1221007-20	8 -41
1221007-21	8 -15
1221007-22	8 -15
1221020-6	4 -86
1221020-7	4 -86
1221020-7	4 -86
1221028-1	89 - 3
1221030-1	5 -10
1221031-1	6 -16A
1221031-2	6 -16A
1221032-1	4 -73
1221033-1	4 -74
1221037-1	6 -33
1221037-2	6 -33
1221040-1	5 -
1221040-13	5 - 1
1221040-15	5 - 3
1221040-16	5 - 3
1221040-17	4 -10
1221040-18	4 -10
1221040-19	6 -20
1221040-2	5 -
1221040-21	5 - 2
1221040-22	5 - 2
1221040-25	4 - 8
1221040-26	4 - 8
1221040-27	4 - 6
1221040-28	4 - 6
1221040-29	4 - 4
1221040-3	4 - 3
1221040-30	4 - 4
1221040-4	4 - 3
1221040-59	4 - 9
1221040-60	4 - 9
1221040-67	4 - 3
1221040-68	4 - 3
1221040-69	5 -
1221040-70	5 -
1221040-71	4 - 3
1221040-72	4 - 3
1221041-1	5A- 1
1221041-2	5A- 1
1221041-43	5A- 1
1221041-44	5A- 1
1221041-5	5A- 7
1221041-6	5A- 7

PART NUMBER	FIGURE AND INDEX NO.
1221042-1	5A- 2
1221042-10	5A- 6
1221042-17	5 -37
1221042-18	5 -37
1221042-19	5 -38
1221042-2	5A- 2
1221042-20	5 -38
1221042-21	5 -39
1221042-22	5 -39
1221042-23	5 -40
1221042-3	5A- 3
1221042-31	5 -32
1221042-32	5 -32
1221042-4	5A- 3
1221042-5	5A- 4
1221042-59	5 -40
1221042-6	5A- 4
1221042-7	5A- 5
1221042-8	5A- 5
1221042-9	5A- 6
1221043-1	5A-13
1221043-2	5A-13
1221045-1	5 -10
1221047-1	4 -11
1221047-1	4 -11
1221047-1	5 -11
1221047-3	4 -12
1221047-3	4 -12
1221047-3	4 -12
1221047-5	4 -13
1221048-2	5 -22
1221048-2	5 -22
1221049-2	5A-14
1221050-1	5 -18
1221050-3	3 -16
1221050-6	4 -86
1221050-8	5 -18
1221051-1	5 -33
1221051-3	5 -34
1221053-7	5 -27
1221054-4	5 -34
1221055-1	5 -13
1221055-101	4 -19
1221055-102	4 -19
1221055-103	4 -21
1221055-104	4 -21
1221055-105	4 -23
1221055-106	4 -24
1221055-159	5 -43
1221055-161	5 -41
1221055-163	5 -42
1221055-19	5A- 8
1221055-2	5 -13
1221055-20	5A- 8
1221055-3	5 -14
1221055-33	5 -41
1221055-34	5 -42
1221055-35	5 -41
1221055-36	5 -42
1221055-4	5 -14
1221055-41	5A-11
1221055-42	5A-12
1221055-43	5A-11
1221055-44	5A-12
1221055-49	5A- 9
1221055-50	5A- 9
1221055-51	5A-10
1221055-52	5A-10
1221055-53	5 -45
1221055-54	5 -46
1221055-55	5 -45
1221055-56	5 -46
1221055-57	5 -43
1221055-58	5 -43
1221055-59	5 -44
1221055-60	5 -44

PART NUMBER	FIGURE AND INDEX NO.
1221055-63	4 -14
1221055-64	4 -14
1221055-65	4 -15
1221055-66	4 -15
1221055-67	4 -16
1221055-68	4 -16
1221055-69	4 -17
1221055-70	4 -17
1221055-81	4 -18
1221055-82	4 -18
1221055-87	4 -20
1221055-88	4 -20
1221055-89	4 -22
1221055-90	4 -22
1221057-1	6 -22
1221057-2	6 -21
1221057-3	6 -34
1221057-9	6 -21A
1221058-1	5 -47
1221059-1	3 -20
1221059-2	3 -21
1221059-3	3 -22
1221060-1	5 -51
1221060-2	5 -50
1221061-1	4 -25
1221061-10	4 -30
1221061-11	4 -31
1221061-12	4 -31
1221061-2	4 -25
1221061-3	4 -26
1221061-4	4 -26
1221061-5	4 -27
1221061-6	4 -27
1221061-7	4 -28
1221061-8	4 -28
1221061-9	4 -30
1221062-1	4 -55
1221062-11	4 -54
1221062-2	4 -55
1221062-3	4 -56
1221062-4	4 -56
1221062-5	4 -54
1221062-6	4 -54
1221063-1	5 - 3
1221063-2	5 - 3
1221063-3	5 - 4
1221063-4	5 - 4
1221064-1	4 -34
1221064-19	4 -35
1221064-2	4 -34
1221064-20	4 -38
1221064-200	4 -32
1221064-201	4 -32
1221064-202	4 -32
1221064-203	4 -32
1221064-21	4 -33
1221064-22	6 -33
1221064-23	4 -36
1221064-23	4 -39
1221064-31	4 -32
1221064-32	4 -32
1221064-7	4 -37
1221064-8	4 -37
1221065-1	7 -13
1221065-2	7 -13
1221065-5	7 -12
1221065-6	7 -12
1221066-13	7 -32
1221066-14	7 -32
1221066-15	7 -31
1221066-16	7 -31
1221066-5	7 -27
1221066-6	7 -28
1221066-7	7 -33
1221066-7	7 -35

PART NUMBER	FIGURE AND INDEX NO.
1221066-8	7 -34
1221066-8	7 -35
1221067-1	7 -29
1221067-2	7 -29
1221067-3	7 -30
1221067-4	7 -30
1221067-6	7 -37
1221068-1	7 -17
1221068-2	7 -18
1221068-3	7 -19
1221068-4	7 -20
1221068-5	7 -21
1221068-6	7 -22
1221068-7	7 -23
1221068-8	7 -24
1221069-1	7 -14
1221069-2	7 -14
1221070-1	7 -15
1221070-2	7 -15
1221071-1	7 -16
1221071-2	7 -16
1221074-3	7 -11
1221074-4	7 -11
1221075-7	7 - 9
1221075-8	7 - 9
1221076-5	8 -16
1221076-6	8 -16
1221076-7	8 -17
1221076-8	8 -17
1221077-10	8 -31
1221077-7	8 -21
1221077-8	8 -31
1221077-9	8 -30
1221078-10	8 -35
1221078-10	8 -39
1221078-11	8 -34
1221078-12	8 -35
1221078-8	8 -24
1221078-9	8 -35
1221079-10	8 -39
1221079-8	8 -27
1221079-8	8 -39
1221079-9	8 -38
1221080-5	8 -22
1221080-6	8 -23
1221080-7	8 -25
1221080-8	8 -26
1221081-10	8 -36
1221081-5	8 -37
1221081-6	8 -33
1221081-9	8 -32
1221082-1	8 -29
1221082-2	8 -29
1221083-1	8 -28
1221083-2	8 -28
1221084-10	8 -19
1221084-11	8 -20
1221084-12	8 -20
1221084-7	8 -18
1221084-8	8 -18
1221084-9	8 -19
1221085-1	6 -25
1221085-11	6 -29
1221085-12	6 -29
1221085-13	6 -23
1221085-14	6 -26
1221085-15	6 -30
1221085-16	6 -24
1221085-2	6 -28
1221085-3	6 -32
1221085-5	6 -27
1221085-6	6 -31
1221086-1	5 -35
1221086-2	96 -25
1221086-3	96 -24

PART NUMBER	FIGURE AND INDEX NO.
1221087-1	96 -11
1221087-2	96 -11
1221088-1	6 -18
1221088-4	6 -18
1221089-1	4 -40
1221089-13	4 -48
1221089-14	4 -48
1221089-19	4 -41
1221089-19	4 -45
1221089-19	4 -49
1221089-2	4 -40
1221089-39	4 -50
1221089-40	4 -48
1221089-41	4 -48
1221089-7	4 -44
1221089-8	4 -44
1221090-1	4 -57
1221090-2	4 -57
1221090-3	4 -58
1221090-4	4 -58
1221091-1	4 -59
1221091-3	3 -20
1221092-3	4 -29
1221092-4	4 -29
1221092-5	4 -29
1221092-6	4 -29
1221093-1	4 -60
1221093-1	4 -60
1221093-3	3 -18
1221093-3	3 -18
1221096-1	5 -20
1221096-1	5 -23A
1221096-1	5 -49
1221096-3	3 -14
1221097-1	5 - 8
1221097-2	5 - 8
1221098-2	103 -28
1221098-3	103 -29
1221104-1	6 -38
1221104-2	6 -38
1221105-5	3 -60
1221105-6	3 -60
1221105-7	3 -61
1221105-8	3 -61
1221107-1	100 -29
1221107-2	100 -30
1221111-200	3 -13
1221111-201	3 -13
1221111-7	3 -13
1221111-8	3 -13
1221112-1	3 -27
1221112-2	3 -27
1221112-3	3 -29
1221112-3	3 -34F
1221112-4	3 -29
1221112-4	3 -34F
1221113-3	96 -15
1221114-1	5 -15
1221114-2	5 -15
1221114-5	5 -15
1221114-6	5 -15
1221116-1	4 -61
1221116-3	3 -17
1221117-1	7 -40
1221117-2	7 -40
1221117-3	7 -41
1221117-4	7 -41
1221117-5	7 -42
1221117-6	7 -42
1221117-7	7 -43
1221117-8	7 -43
1221118-1	5 -25
1221118-2	5 -24
1221120-3	4 -88
1221121-1	7 -43

PART NUMBER	FIGURE AND INDEX NO.
1221121-2	7 -45
1221121-3	7 -46
1221121-4	7 -46
1221122-2	5A-20
1221122-4	5A-19
1221123-1	8 -40
1221124-1	5 -59
1221125-1	5 -55
1221126-1	5 -58
1221127-5	5 -54
1221128-5	5 -61
1221129-2	5 -51
1221130-1	5 -53
1221131-1	5 -60
1221132-1	5 -56
1221134-1	4 -90
1221134-2	4 -91
1221134-3	4 -92
1221138-5	4 -25
1221138-6	4 -25
1221138-7	4 -27
1221138-8	4 -27
1221201-3	3 -64
1221201-4	3 -64
1221202-1	4 - 8A
1221202-2	4 - 8A
1222009-1	5A-16
1222010-1	96A-10
1222010-2	96A-11
1222011-1	96A- 3
1222011-2	96A- 3
1222012-1	3 -62
1222013-1	4 -93
1222014-1	96A- 9
1222014-2	96A- 9
1222015-1	96A- 7
1222016-1	96A- 8
1222018-1	5A-15
1222019-1	5A-17
1222019-2	5A-17
1222027-1	100A-65
1222028-1	4 -86
1222028-2	4 -86
1222029-1	6 -20
1222029-2	6 -20
1222030-1	4 - 6
1222030-2	4 - 6
1222031-1	6 - 3
1222031-2	6 - 3
1222032-3	6 -13
1222032-4	6 -13
1222035-1	6 -20A
1222035-2	6 -20A
1222035-3	6 -20A
1222035-4	6 -20A
1231000-14	9 -38
1231000-15	9 -36
1231000-15	9A-35
1231000-16	9 -37
1231000-16	9A-36
1231000-17	9 -35
1231000-17	9A-34
1231000-18	9 -32
1231000-18	9A-31
1231000-23	9 -
1231000-4	9 -33
1231000-4	9A-32
1231000-7	9 -34
1231000-7	9A-33
1231001-3	10 -26
1231001-8	10 -
1231002-1	9 - 8
1231002-1	9A- 8
1231002-2	9 - 9
1231002-2	9A- 9



PART NUMBER	FIGURE AND INDEX NO.
1231005-2	9 -14
1231005-2	9A-14
1231006-1	9 -13
1231006-1	9A-13
1231007-1	9 -12
1231007-1	9A-12
1231008-1	9 -11
1231008-1	9A-11
1231009-1	9 -16
1231009-1	9A-16
1231009-3	9 -17
1231009-3	9A-17
1231010-3	9 -10
1231010-3	9A-10
1231012-1	9 -25
1231012-1	9A-26
1231013-1	9 -24
1231013-1	9A-25
1231014-2	9 -26
1231014-2	9A-27
1231014-3	9 -27
1231014-3	9A-28
1231015-1	10 - 4
1231015-2	10 - 5
1231015-3	10 - 6
1231016-1	10 -11
1231017-1	10 -10
1231021-1	10 -14
1231021-2	10 -15
1231021-3	10 -15
1231022-1	10 -12
1231023-1	9 -23
1231023-1	9A-24
1231023-16	10 -16
1231023-17	10 -18
1231023-18	10 -20
1231023-19	10 -17
1231023-2	9 -22
1231023-2	9A-23
1231023-20	10 -19
1231023-21	10 -21
1231023-3	9 -21
1231023-3	9A-22
1231026-1	10 -13
1231026-2	10 -13
1231029-1	10 - 8
1231029-2	10 - 8
1231030-1	10 - 7
1231031-1	10 - 7
1231032-1	10 - 8
1231033-1	10 - 6
1231045-1	10 -22
1231048-1	9A-
1231048-2	9A-37
1231049-1	9A-15
1231049-2	9A-20
1231049-3	9A-21
1231050-1	9A-41
1231052-1	28 -40
1232007-1	11 -32A
1232007-2	11 -32A
1232008-1	11 -33A
1232008-2	11 -33A
1232009-1	11 -18A
1232010-1-791	11 -14
1232011-1	11 -18A
1232012-1-791	11 -14
1232104	11 -36
1232105	11 -35
1232106-1	11 -34
1232139-1	11 -21
1232140-1	11 -24
1232142-1	11 -11
1232400-1	11 -53
1232400-2	11 -53

PART NUMBER	FIGURE AND INDEX NO.
1232600-10	11 - 6
1232600-11	11 - 5
1232600-12	11 - 4
1232600-13	11 -
1232600-14	11 - 4
1232600-15	11 -
1232600-16	11 - 4
1232600-5	11 - 7
1232600-9	11 -
1232603-1	11 -39
1232603-2	11 -31
1232603-3	11 -31
1232606-3	11 -18
1232606-4	11 -17
1232612-1	11 -50
1232613-1	11 -16
1232613-2	11 -15
1232616-1-791	11 -14
1232617-1	11 -33
1232618-1	11 -32
1232619-1	11 -25
1232619-2	11 -26
1232621-1	11 -44
1232621-3	11 -46
1232621-4	11 -47
1232621-5	11 -48
1232622-1	11 -39
1232622-2	11 -40
1232622-3	11 -42
1232622-4	11 -41
1232622-5	11 -43
1232622-6	11 -44
1232622-7	11 -39
1232622-7	11 -39
1232622-8	11 -40A
1232622-8	11 -40A
1232623-1	11 -49
1234008-1	12 -66
1234008-2	12 -65
1234009-6	12 -11
1234010-1	12 -10
1234014-1	12 -48
1234014-2	12 -57
1234017-1	12 -46
1234022-1	12 -44
1234022-2	12 -45
1234023-1	11 -57
1234024-2	39 -16
1234024-5	12 - 5
1234024-5	20 -41
1234028-1	12 -12
1234031-1	98 -66
1234035-1	12 -47
1234036-1	12 -49
1234036-2	12 -50
1234037-1	12 -58
1234037-2	12 -59
1234605-7	12 -60
1234605-8	12 -61
1234620-16	12 -22
1234620-19	12 -23
1234620-20	12 -24
1234620-21	12 -24
1234623-1	12 -42
1234623-2	12 -43
1234625-1	12 -64
1234626-1	11 -51
1234627-1	12 -36
1234628-1	12 - 4
1234628-2	12 - 8
1234628-3	12 - 9
1234628-5	12 -13
1234633-10	12 -30
1234633-11	12 -17
1234633-12	12 -21

PART NUMBER	FIGURE AND INDEX NO.
1234633-13	12 -18
1234633-14	12 -21
1234633-15	12 -16
1234633-16	12 -26
1234633-17	12 -25
1234633-2	12 -
1234633-3	12 -
1234633-4	12 -19
1234633-5	12 -18
1234633-6	12 -20
1234633-7	12 -27
1234633-8	12 -28
1234633-9	12 -29
1234634-1	12 -32
1234634-2	12 -33
1234635-1	12 -36
1234635-2	12 -37
1234636-1	12 -51
1234636-2	12 -52
1234637-1	12 -52
1234637-2	12 -54
1234637-3	12 -53
1234637-4	12 -54
1234638-1	12 -62
1234638-2	12 -63
1234638-3	12 -34
1234638-4	12 -35
1234638-5	12 -63
1234639-1	12 -56
1234639-3	12 -55
1234640-1-791	12 -14
1234640-2-791	12 -15
1234641-1	12 -38
1234641-2	12 -39
1234642-1	12 -40
1234642-2	12 -41
1234646-1	12 -80
1234646-2	12 -81
1234647-1	12 -82
1234648-1	12 -76
1234648-10	12 -68
1234648-11	12 -71
1234648-12	12 -73
1234648-13	12 -79
1234648-15	12 -72
1234648-2	12 -75
1234648-5	12 -77
1234648-6	12 -69
1234648-7	12 -70
1234648-8	12 -74
1234648-9	12 -78
1234649-1	12 -31
1234649-2	12 -31
1241017-1	42 -48
1241025-1	41 - 3
1241026-1	41 - 8
1241026-1	42 -45
1241029-1	40 -18
1241029-1	41 -16
1241029-3	40A-21
1241030-7	42 -40
1241030-8	42 -44
1241030-9	41 - 5
1241035-1	36 - 9
1241035-1	92 -13
1241035-2	36 - 9
1241035-2	92 -13
1241041-1	22 -12
1241042-1	36 - 6
1241042-2	36 - 6
1241043-1	36 - 4
1241043-2	36 - 4
1241048-1	36 - 7
1241048-2	36 - 7
1241061-1	36 -29

PART NUMBER	FIGURE AND INDEX NO.	PART NUMBER	FIGURE AND INDEX NO.	PART NUMBER	FIGURE AND INDEX NO.
1241156-12	34 -	1243019-2	133 - 4	1250123-1	90 -45
1241157-1	37 -15	1243020-1	31 -27	1250132-1	77 -19
1241401-200	36 - 1	1243021-1	33 -26	1250134-1	85 -48
1241401-201	36 - 1	1243025-1	40A- 1	1250135-1	85 -34
1241403-1	42 - 1	1243025-6	40A- 3	1250135-1	86 - 2
1241403-2	42 - 1	1243027-1	40A-16	1250137-1	85 -31
1241404-1	42 -21	1243030-5	33 -29	1250137-2	85 -32
1241404-2	42 -21	1243030-6	33 -29	1250137-3	85 -32
1241404-3	42 -21	1243030-7	33 -29	1250138-1	85 -28A
1241405-1	42 -34	1243031-1	33 -68	1250138-1	86 -18
1241406-1	42 -25	1243034-1	33 - 4	1250201-12	83 -14
1241406-2	42 -39	1243037-5	33 -68	1250201-14	83 -13
1241407-1	36 -10	1243038-1	33 -66	1250201-8	83 -12
1241409-1	42 -22	1243039-1	31 -27	1250211-4	128 -11
1241410-1	42 - 7	1243061-2	16 -25	1250213-1	130 - 8
1241410-2	42 - 7	1243063-1	16 -27	1250214-1	130 - 5
1241411-1	42 - 9	1243065-3	38 -36	1250215-1	130 - 9
1241411-2	42 - 9	1243400-13	33 - 9	1250250-2	83 - 4
1241413-1	42 -11	1243400-202	33 - 1	1250250-30	83 -18
1241413-2	42 -15	1243400-205	33 -	1250250-5	83 - 5
1241413-3	42 -16	1243400-4	33 -21	1250250-6	83 - 6
1241414-1	42 -26	1243404-1	33 -28	1250250-7	83 - 1
1241415-1	42 -31	1243406-1	32 -16	1250251-12	83 - 9
1241415-2	42 -31	1243411-1	32 -12	1250251-9	83 - 2
1241416-1	36 - 8	1243412-1	32 - 6	1250256-1	83 -
1241416-2	36 - 8	1243412-2	32 - 7	1250256-3	83 - 3
1241416-3	36 -39	1243415-1	40 -	1250256-7	83 -10
1241416-3	133 - 6	1243415-10	40 -17	1250257-3	83 - 4
1241416-4	36 -39	1243415-2	40 - 1	1250257-7	83 -11
1241416-4	133 - 6	1243415-3	40 -12	1250257-9	83 -
1241417-1	42 - 3	1243415-5	40 -12	1250258-1	25 -48
1241417-2	42 - 5	1243415-6	40 - 3	1250259-1	71 -45
1241418-1	36 -14	1243417-1	38 -32	1250306-1	77 -15
1241418-1	42 -50	1243419-1	32 - 2	1250309-1	77 - 5
1241418-10	42 -51	1243420-1	32 - 1	1250310-1	77 -11
1241418-2	36 -14	1243421-1	33 -71	1250311-1	77 -14
1241418-2	42 -50	1243421-2	33 -72	1250401-1	71 -11
1241418-3	36 -14	1243422-1	33 -67	1250401-2	71 -12
1241418-3	42 -50	1243425-1	33 -74	1250401-3	71 -13
1241418-4	36 -14	1243426-1	33 -54	1250401-3	72 -12
1241418-4	42 -50	1243426-2	33 -54	1250402-1	73 - 8
1241418-5	42 -51	1243617-1	33 -30	1250402-1	74 -17D
1241418-6	42 -51	1243618-1	33 -66	1250402-1	80 -14
1241418-7	42 -51	1243618-2	33 -66	1250402-2	79 -26
1241418-8	42 -51	1243619-1	33 -31	1250405-1	109 -42
1241418-9	42 -50	1243625-5	33 -32	1250410-3	2 -28
1241419-1	42 -33	1243626-1	33 -46	1250410-3	109 -37
1241422-1	36 -35	124756.06	75 -19	1250412-1	65 -13
1241423-1	36 -34	124756.06	77 -20	1250412-1	66 -13
1241423-2	36 -34	1250002-1	110 -43	1250414-1	65 - 7
1241424-1	40 - 6	1250002-1	110B- 5	1250414-4	65 -11
1241424-1	40A- 8	1250003-1	110 -55	1250414-6	66 - 8
1241424-1	42 -28	1250003-1	110B-24	1250415-2	65 - 5
1241425-1	36 - 2	1250007-1	74 -52	1250415-8	1268-27
1241425-2	36 - 2	1250009-1	74 -56	1250419-2	66 - 6
1241427-1	39 -28	1250100-12	85 -21	1250419-6	1268-28
1241428-1	41 -11	1250100-15	85 -29	1250422-1	25 -29
1241428-2	41 -11	1250100-23	85 -11	1250502-1	15 -44
1241429-3	41 -13	1250100-27	85 -22	1250502-1	90 -12
1241430-1	41 - 2	1250100-3	86 -25	1250502-1	91 -12
1241431-1	42 -10	1250100-4	86 -33	1250503-1	90 -43
1241434-1	36 -12	1250100-5	86 -18	1250503-1	91 -38
1241435-1	42 - 6	1250100-8	85 - 9	1250503-2	90 -44
1241436-1	41 -17	1250105-1	85 -25	1250503-2	91 -39
1241436-2	41 -17	1250105-1	86 -34	1250653-1	108 -18
1243001-1	2 -12	1250105-2	85 -14	1250654-1	108 -19
1243001-2	2 -12	1250105-2	86 -35	1250655-1	108 -18
1243008-3	33 -18	1250106-1	85 -28	1250655-2	108 -19
1243008-4	33 -19	1250115-3	90 -15	1250704-1	75 -18
1243009-2	33 - 9	1250115-3	91 -15	1250704-1	77 -17
1243009-200	33 -	1250115-4	90 -18	1250704-2	75 -18
1243009-201	33 - 1	1250115-4	91 -18	1250704-2	77 -17
1243009-4	33 -21	1250116-1	90 -13	1250704-3	75 -18
1243018-1	33 -35	1250116-1	91 -13	1250704-3	77 -17
1243019-2	31 -23	1250123-1	73 -20	1250704-5	75 -18

PART NUMBER	FIGURE AND INDEX NO.
1250704-5	77 -17
1250705-1	77 - 7
1250706-1	77 -20
1250706-1	128 -23
1250706-2	77 -25
1250707-1	77 - 2
1250711-1	77 - 3
1250712-1	77 - 4
1250713-1	77 -16
1250715-1	77 -10
1250716-1	77 - 8
1250717-1	77 -
1250717-2	77 -
1250718-1	77 -12
1250719-1	85 -16
1250800K200	72 - 8
1250807-1	72 -11
1250815-1	79 -16
1250816-2	79 -41
1250816-3	79 -19
1250817-1	74 -27
1250818-10	79 - 7
1250818-200	79 - 6
1250818-201	79 - 8
1250818-9	79 - 5
1250821-18	70 -38
1250821-19	70 -37
1250821-26	70 -51
1250821-27	70 -51
1250821-30	70 -52
1250821-31	70 -52
1250821-32	70 -38
1250821-33	70 -37
1250822-1	69 -43
1250822-1	70 -42
1250822-2	69 -44
1250822-2	70 -43
1250823-1	69 - 5
1250823-1	70 -10
1250824-1	79 -10
1250825-1	86 -37
1250827-1	86 -16
1250828	86 -36
1250829-11	86 -30
1250829-12	86 -22
1250829-13	86 -15
1250829-6	86 - 5
1250829-7	86 -10
1250829-8	86 - 9
1250829-9	86 -27
1250830-10	78 -14
1250830-16	78 -10
1250830-19	78 -11
1250830-20	78 -12
1250830-21	78 -13
1250830-26	78 - 5
1250830-27	78 - 8
1250830-5	78 - 3
1250831-1	78 -28
1250835-1	95 -25
1250835-3	95 -26
1250837-1	72 -30
1250837-3	72 -32
1250837-7	72 -31
1250838-1	72 -33
1250838-2	72 -30
1250839-1	78 -18
1250839-12	78 -25
1250839-18	78 -24
1250839-4	78 -23
1250839-7	78 -20
1250841-1	69 -11
1250841-1	70 - 4
1250842-1	69 -21
1250842-1	70 -21

PART NUMBER	FIGURE AND INDEX NO.
1250842-2	69 -22
1250842-2	70 -22
1250843-1	91 -35
1250844-1	16 -78
1250844-2	16 -78
1250844-7	16A-81
1250844-8	16A-81
1250846-1	78 -17
1250847-1	78 - 9
1250847-2	78 - 9
1250847-3	78 - 9
1250849-5	91 -36
1250850-3	80 - 7
1250858-1	80 -15
1250858-2	80 -16
1250858-3	80 - 8
1250858-4	80 - 9
1250860-12	84 -15
1250860-12	84 -16
1250860-201	84 -11
1250860-203	84 -11
1250860-28	80 - 3
1250860-28	84 - 3
1250860-29	84 -12
1250860-4	84 - 6
1250860-64	84 - 8
1250860-65	84 - 9
1250860-72	84 - 5
1250860-73	80 - 1
1250860-73	84 - 1
1250860-78	80 - 2
1250860-78	84 - 2
1250860-80	84 - 5
1250860-90	84 - 7
1250865-1	80 -26
1250868-1	86 - 1
1250868-2	86 - 4
1250868-3	86 - 5
1250869-1	86 - 6
1250870-1	86 -11
1250871-1	86 -12
1250873-200	87 - 1
1250873-201	87 - 2
1250874-1	87 - 3
1250874-2	87 - 4
1250875-3	78 -16
1250876-11	25 -32
1250876-16	25 -33
1250876-19	25 -34
1250876-20	25 -35
1250876-24	25 -
1250876-26	25 - 2
1250876-34	25 - 2
1250876-35	25 - 1
1250876-38	25 -
1250876-6	25 - 1
1250876-8	25 -31
1250878-1	71 - 3
1250879-1	78 - 1
1250881-2	86 -48
1250881-3	86 -47
1250881-4	86 -46
1250881-5	86 -49
1250881-7	86 -44
1250888-1	86 -41
1250889-1	80 -31
1250890-1	71 -59
1250890-1	72 -47
1250893-1	70 -44
1250893-2	70 -47
1250897-1	72 - 4
1250897-1	79 -11
1250897-3	79 -14
1250902-1	70 -49
1250902-2	70 -50

PART NUMBER	FIGURE AND INDEX NO.
1250903-1	85 -33A
1250908-1	79 -29
1250908-1	109 -19
1250913-1	74 - 4
1250913-1	79 -38
1250916-1	78 - 6
1250916-2	78 - 7
1250918-2	16 -89
1250918-2	16A-95
1250921-2	109 -38
1250922-1	109 -37
1250928-1	72 -39A
1250928-2	72 -39B
1250929-1	72 -39
1250931-1	109 -44
1250934-1	69 -43
1250934-1	70 -42
1250934-2	69 -44
1250934-2	70 -43
1250935-1	126B-22
1252000-11	69 - 3
1252000-11	70 -23
1252001-1	69 -30
1252001-1	70 -30
1252001-2	69 -31
1252001-2	70 -31
1252400-15	69 -27
1252400-15	70 -27
1252400-16	69 - 4
1252400-16	70 - 3
1252400-18	69 -28
1252400-20	69 -29
1252400-25	70 - 1
1252400-26	70 -28
1252400-31	70 - 2
1252400-32	70 -29
1252400-33	69 - 1
1252400-34	69 - 2
1252410-16	16 -44
1252410-22	16 -46
1252410-23	16 -44
1252410-29	16 -42
1252410-30	16 -45
1252410-31	16A-56
1252410-32	16A-59
1252410-33	16A-58
1252410-34	16A-58
1252410-35	16A-60
1252412-6	16 -43
1252413-31	69 -37
1252413-32	69 -38
1252413-33	69 -37
1252413-34	69 -38
1253026-1	25 -40
1253031-10	15 -15
1253034-1	90 - 3
1253034-1	91 - 3
1253035-2	90 - 7
1253035-2	91 - 7
1253037-4	90 - 5
1253037-4	91 - 5
1253041-1	90 - 4
1253041-1	91 - 4
1253044-3	90 - 2
1253044-3	91 - 2
1253045-1	15 -48
1253045-2	90 - 1
1253045-2	91 - 1
1253046-1	25 -19
1253047-1	126A-64
1253048-1	126A-52
1253401-1	25 - 6
1253402-1	25 - 5
1253403-1	25 - 3
1253403-2	25 - 4

PART NUMBER	FIGURE AND INDEX NO.
1253404-5	25 - 7
1253404-6	25 - 8
1253405-1	25 - 9
1253407-1	25 -37
1253407-2	25 -38
1253408-1	25 -12
1253408-2	25 -13
1253409-3	25 -36
1253409-4	25 -36
1253411-11	16 -17
1253411-11	16A-22
1253411-2	16 -17
1253411-2	16A-22
1253411-22	16A-45
1253411-3	16 -67
1253411-5	16 -68
1253411-5	16A-46
1253412-1	25 -10
1253415-3	25 -15
1253416-1	25 -14
1253418-1	25 -16
1253418-2	25 -16
1253419-1	25 -17
1253425-2	25 -18
1253428-1	25 -30
1253428-3	25 -31
1253429-1	25 -11
1255000-1	85 -49
1255000-2	85 -50
1256006-1	104A-23
1260006-5	95 -55
1260008-200	95 -36
1260009-5	95 - 1
1260009-6	95 - 1
1260009-9	95 - 1
1260021-1	93 -25
1260030-1	97 -47
1260030-1	98 -42
1260030-1	101 -25
1260031-1	97 -46
1260031-1	98 -41
1260031-1	101 -24
1260032-1	97 -45
1260032-1	98 -49A
1260032-1	101 -32A
1260033-3	95 -42
1260033-4	95 -43
1260049-1	99 - 6
1260065-3	98 -71
1260065-8	98 -65
1260074-1	99 - 1
1260075-1	100 -42
1260075-2	100 -42
1260078-102	95 -57
1260078-103	95 -56
1260078-104	96 - 1
1260078-105	95 -68
1260078-107	95 -57
1260078-108	95 -56
1260078-109	96 - 1
1260078-2	95 -57
1260078-3	95 -56
1260078-4	96 - 1
1260078-5	95 -68
1260078-7	95 -57
1260078-8	95 -56
1260078-9	96 - 1
1260080-1	97 -11
1260083-1	97 -19
1260084-1	29 -36
1260085-1	29 -19
1260086-1	97 -29
1260087-1	97 -30
1260088-1	29 - 8
1260089-1	29 -15

PART NUMBER	FIGURE AND INDEX NO.
1260089-2	29 -20
1260091-1	97 -32
1260094-1	58A-57
1260098-3	95 - 1
1260101-1	102 -26
1260103-1	19 -18A
1260104-1	102 - 7A
1260117-1	4 -70
1260117-2	4 -78
1260117-4	100 -24
1260118-1	4 -71
1260118-2	4 -72
1260119-1	4 -82
1260119-2	4 -82
1260120-1	4 -75
1260121-1	4 -83
1260124-10	4 -85
1260124-7	4 -85
1260124-7	4 -85
1260124-7	4 -85
1260124-8	4 -85
1260124-8	4 -85
1260124-9	4 -85
1260125-1	100 -62
1260125-2	100 -62
1260126-1	4 -87
1260126-3	4 -87
1260128-1	100 -66
1260128-3	100 -48
1260128-4	100A-39
1260128-5	100A-57
1260129-1	4 -76
1260131-1	4 -54
1260133-1	12 -84
1260134-7	15 -32
1260134-8	15 -32
1260135-1	95 -46
1260135-2	95 -55
1260136-1	95 -47
1260136-2	95 -55
1260137-2	95 -45
1260138-3	15 -31
1260138-4	15 -31
1260202-1	4 -93
1260202-10	4 -97
1260202-11	4 -98
1260202-12	4 -98A
1260202-13	4 -96A
1260202-2	4 -95
1260202-3	4 -96
1260202-7	4 -96B
1260202-8	4 -96B
1260205-1	101A-10
1260207-1	101A-15
1260208-1	101A-12
1260210-1	25 - 2A
1260211-1	101A- 3
1260213-1	16A-92
1260213-2	16A-93
1260214-1	16A-24
1260214-2	16A-24
1260215-1	29 -36
1260216-1	101A-11
1260412-1	101A-16
1260412-2	101A-17
1260417-1	92 -49
1260417-2	92 -49
1260419-1	93 -36
1260420-1	98 - 2
1260421-1	98 - 9
1260422-1	98 - 1
1260425-1	95 -63
1260427-1	19 -25
1260427-2	19 -26
1260428-1	102 -20
1260429-1	95 -61

PART NUMBER	FIGURE AND INDEX NO.
1260430-1	95 -64
1260433-1	102 - 7
1260435-2	102 -22
1260436-1	92 -23
1260438-1	95 -62
1260442-1	97 -20
1260451-4	23 -41
1260456-1	93 -22
1260456-2	93 -23
1260458-1	58 -46
1260458-1	93 -38
1260458-6	58A-40
1260458-6	58B-40
1260458-6	93 -38
1260459-11	93 -39
1260459-3	93 -30
1260459-8	93 - 3
1260460-2	93 -23A
1260461-2	93 -41
1260461-3	93 -43
1260463-1	62 -25
1260505-1	92 -39
1260505-101	92 -39
1260505-11	101 - 7
1260505-111	101 - 7
1260505-112	101 - 8
1260505-113	101 - 8
1260505-115	101 - 6
1260505-12	101 - 8
1260505-122	98 -26
1260505-13	101 - 8
1260505-132	97 - 1
1260505-133	97 - 2
1260505-135	98 -27
1260505-138	96 - 6
1260505-139	96 - 6
1260505-140	96 - 3
1260505-145	98 -54
1260505-146	98 -55
1260505-146	98A-48
1260505-147	100 - 1
1260505-147	100 - 3
1260505-147	100A- 1
1260505-148	100 -10
1260505-148	100 -12
1260505-148	100A- 4
1260505-149	100 - 2
1260505-15	101 - 6
1260505-150	100 -11
1260505-151	100 - 4
1260505-152	100 -13
1260505-156	98A-49
1260505-161	98A-60
1260505-162	98A-59
1260505-167	98A-61
1260505-170	100A- 9
1260505-171	100A- 8
1260505-172	100A-10
1260505-173	100A- 7
1260505-22	98 -26
1260505-32	97 - 1
1260505-33	97 - 2
1260505-35	98 -27
1260505-38	96 - 6
1260505-39	96 - 6
1260505-40	96 - 3
1260505-45	98 -54
1260505-46	98 -55
1260505-46	98A-48
1260505-47	100 - 1
1260505-47	100 - 3
1260505-47	100A- 1
1260505-48	100 -10
1260505-48	100 -12
1260505-48	100A- 4

PART NUMBER	FIGURE AND INDEX NO.
1260505-49	100 - 2
1260505-50	100 -11
1260505-51	100 - 4
1260505-52	100 -13
1260505-56	98A-49
1260505-61	98A-60
1260505-62	98A-59
1260505-70	100A- 9
1260505-71	100A- 8
1260505-72	100A-10
1260505-73	100A- 7
1260505-74	101A- 1
1260518-1	98A-54
1260518-2	98A-55
1260519-1	98A-50
1260522-1	98A-42
1260523-2	98A-42A
1260524-1	98A-40
1260524-2	98A-41
1260525-1	98A-39
1260531-1	98A-38
1260604-1	98 - 1
1260649-1	97 -21
1260650-1	100 -60
1260650-1	100A-51
1260653-3	100 -55
1260653-5	100A-46
1261103-2	102 -18
1261107-2	102 -19
1261112-3	102 -16
1261415-2	16 - 6
1261415-2	16A- 8
1261415-3	16 - 6
1261415-3	16A- 8
1261416-1	16 -32
1261416-1	16A-37
1261416-3	16 -33
1261416-3	16A-38
1261417-1	15 -15
1261417-1	92 -50
1261418-1	15 -20
1261418-2	15 -21
1261420-1	15 -50
1261420-1	95 -27
1261420-10	15 -51
1261420-12	95 -27
1261420-5	15 -52
1261420-5	95 -29
1261420-6	15 -51
1261420-6	95 -27
1261420-9	15 -50
1261420-9	95 -27
1261421-6	15 -12
1261421-8	15 -12
1261422-1	92 -51
1261422-2	92 -51
1261423-1	15 -14
1261424-1	15 -16
1261424-2	15 -17
1261425-1	19 -23
1261425-2	19 -24
1261426-1	19 -25
1261427-2	15 -49
1261427-2	95 -11
1261432-5	102 - 1
1261436-1	15 -19
1261437-1	16 - 6
1261438-1	102 -12
1261441-1	111 - 3
1261441-2	111 - 2
1261441-3	87 -36
1261441-3	111 - 4
1261444-1	19 -17
1261444-2	19 -18
1261444-4	19 -17

PART NUMBER	FIGURE AND INDEX NO.
1261445-3	19 - 3
1261445-4	19 - 9
1261446-1	19 -18A
1261446-2	19 -19
1261446-3	19 -19
1261446-4	19 -20
1261446-5	19 -20
1261447-1	19 -26
1261447-2	19 -27
1261448-1	19 -14
1261448-2	19 -15
1261451-1	19 -21
1261455-1	19 -33
1261631-201	19 -
1261631-203	19 -
1261632-13	19 -22
1261632-14	19 -23
1261632-2	19 -21
1261632-2	19 -23
1261632-9	19 -22
1261633-1	19 - 2
1261635-1	19 -12
1261636-1	19 -30
1261645-6	87 -35
1261645-7	87 -35
1261646-1	19 -34
1261647-1	87 -37
1262001-1	58A-80A
1262001-1	100B-21
1262001-2	100B-21
1262002-2	100 -32
1262008-1	100 -33
1262008-1	100A-26
1262016-2	100A-84
1262018-1	4 - 4A
1262018-2	4 - 4A
1262022-1	100B-27
1262023-1	100B-40
1262024-1	100 -25
1262024-1	100A-20
1262026-1	100B- 1
1262027-1	100A-25
1262028-1	100A-24
1262029-1	100A-33
1262029-2	100A-33
1262034-1	4 - 4B
1262034-2	4 - 4B
1262034-3	4 - 4C
1262034-4	4 - 4C
1262036-1	4 -54
1262036-2	4 -54
1262038-1	100A-53
1262038-2	100A-53
126423-9	95 - 1
1264437-1	16A- 8
1270034-1	31 -33
1270034-1	133 - 3
1270034-4	31 -33
1270034-4	133 - 3
1270054-1	95 -30A
1270432-2	131 - 1
1270460-1	20 -71
1270460-3	20 -72
1270625PA1	128 -28
1270625PA12	128 -31
1270625PA15	128 -30
1270625PA16	128 -29
1270625PA18	128 -31
1270653-1	128 -49
1270656-1	128 -42
1280007-1	2 - 9
1280103-8	116 -
1280109-3	126 -
1280111-1	92 -10
1280206-1	118 -24

PART NUMBER	FIGURE AND INDEX NO.
1280207-1	118 -26
1280210-1	118 -28
1280211-2	118 - 2
1280219-3	126 -13
1280220-3	126 - 9
1280221-1	126 - 6
1280222-1	125 - 8
1280222-1	126 - 7
1280222-2	125 -13
1280222-2	126 - 3
1280222-3	125 - 9
1280222-3	126 - 8
1280223-1	125 -14
1280223-1	126 - 1
1280231-1	118 -25
1280234-2	118 -27
1280504-1	117 -15
1280504-1	117A-14
1280504-1	125 -
1280505-2	111 -19
1280506-100	36 -18
1280506-100	92 -12
1280506-101	120 -16
1280506-102	120 -18
1280506-105	92 - 4
1280506-106	92 - 5
1280506-107	111 - 7
1280506-109	111 -56
1280506-110	111 -55
1280506-111	111 -54
1280506-112	111 -53
1280506-113	120 -19
1280506-114	111 -50
1280506-115	111 -40
1280506-122	92 - 20
1280506-125	117A-13
1280506-126	117A-12
1280506-127	117A-19
1280506-128	117A-18
1280506-134	117A-37
1280506-135	117A-32
1280506-136	111 -54
1280506-137	111 -53
1280506-138	117A-33
1280506-139	117A-36
1280506-140	111 -56
1280506-140	117A-35
1280506-142	111 -40
1280506-143	110B-21
1280506-21	92 - 8
1280506-22	92 - 9
1280506-23	119 - 2
1280506-24	120 - 4
1280506-28	119 - 4
1280506-29	120 - 1
1280506-33	119 - 3
1280506-34	120 - 2
1280506-35	119 - 1
1280506-36	120 - 3
1280506-37	120 - 5
1280506-38	120 - 8
1280506-39	120 -11
1280506-40	120 -15
1280506-41	110B-52
1280506-45	122 - 9
1280506-46	122 -10
1280506-47	122 - 3
1280506-48	122 - 2
1280506-49	122 - 5
1280506-50	122 - 6
1280506-53	117 -38
1280506-54	117 -37
1280506-54	117A-34
1280506-55	117 -33
1280506-56	117 -35

PART NUMBER	FIGURE AND INDEX NO.
1280506-57	117 -19
1280506-58	117 -17
1280506-59	117 -36
1280506-60	117 -13
1280506-63	117 -14
1280506-64	117 -39
1280506-76	111 -34
1280506-77	120 -10
1280506-78	120 - 9
1280506-9	122 -11
1280506-92	111 -47
1280506-95	122 -12
1280506-97	123 - 1
1280506-98	123 - 2
1280506-99	36 -18
1280506-99	92 -12
1280510-1	112 -
1280510-3	112 -
1280510-4	112 -
1280511-5	121 -
1280511-6	121 -
1280512-1	118 -
1280513-1	124 -
1280513-1	124 -
1280513-2	124 -
1280513-6	124 -
1280602-1	118 -30
1280602-2	118 -31
1280607-1	111 -41
1280608-1	117 -24
1280608-1	117A-23
1280609-3	125 - 1
1280610-1	125 - 2
1280611-1	125 -10
1280612-1	118 -23
1280613-3	104 -30
1280613-3	104A-42
1280619-1	115 - 1
1280621-1	20 -16
1280621-2	20 -17
1280622-1	20 -18
1280623-1	20 - 8
1280623-2	20 - 8
1280624-1	20 - 9
1280624-2	20 - 9
1280881-8	86 -50
1290001K8	95 - 1
1291042-1	14 -
1291042-3	14 -
1291042-4	14 -
1291042-5	14 -
1291140-3	22 -
1291140-6	21 -
1291140-7	20 -
1291342-10	15 -
1291342-11	15 -
1291342-12	16A-
1291342-6	15 -
1291342-7	16 -
1332621-2	11 -45
13630-02	22 -12
13836	37 - 7
13889	37 - 9
1400075-13	126A-65
1409	98A- 2
1411202-201	43 -48
1411206-1	43 -60
1411206-1	44 -49
1411206-4	43 -67
1411206-4	44 -55
1411206-5	43 -66
1411206-5	44 -56
1411206-7	43 -58
1411206-7	44 -47
1411207-1	43 -63

PART NUMBER	FIGURE AND INDEX NO.
1411207-1	44 -52
1411207-2	43 -64
1411207-2	44 -53
1412280-23	100 -27
1412280-23	100A-22
1412280-25	4 -80
1412280-26	4 -81
1412280-32	4 -79
1412280-7	4 -77
1412280-7	4 -98B
1414025-1	62 - 3
1414025-2	62 - 2
1414045-1	52 -17
1414045-1	53 -16
1414087-10	50 -11
1414087-5	50 -14
1414100-212	52 -35
1414100-212	54 -44
1414100-212	55 -25
1414100-212	57 -30
1414100-8	52 -19
1414100-8	53 -19
1414100-8	55 -16
1414100-9	52 -13
1414100-9	53 -13
1414100-9	55 -12
1414103-2	52 -24
1414103-45	52 -25
1414103-6	52 -26
1414104-1	53 -29
1414104-2	54 -36
1414104-39	52 -32
1414104-4	52 - 4
1414104-4	53 - 4
1414104-4	55 - 6
1414104-4	57 - 6
1414104-40	52 -33
1414104-41	52 -34
1414104-42	52 -34
1414104-52	55 -24
1414104-53	55 -23
1414104-8	52 -44
1414104-8	54 -39
1414104-8	55 -35
1414107-1	52 -53
1414107-1	53 -31
1414107-1	55 -42
1414107-1	57 -21
1414107-2	57 -21
1414108-1	57 -27
1414110-22	55 -13
1414110-29	52 -14
1414110-29	53 -14
1414110-30	52 -16
1414110-30	53 -16
1414111-5	53 -11
1414112-1	52 -31
1414112-2	55 -29
1414112-3	55 -22
1414114-1	55 -41
1414116-1	52 -43
1414116-1	54 -37
1414116-1	55 -34
1414122-10	57 -19
1414122-16	55 -30
1414122-16	57 -18
1414122-17	57 -23
1414122-35	55 -38
1414217-3	52 -21
1414217-3	53 -25
1414217-3	55 -18
1414217-7	52 -20
1414217-7	53 -24
1414217-7	55 -17
1414217-8	57 -38

PART NUMBER	FIGURE AND INDEX NO.
1414223-34	52 -51
1414230-1	52 -11
1414230-1	55 -10
1414231-2	57 -22
1414231-4	52 -52
1414252-11	52 -63
1414252-11	53 -42
1414252-11	55 -43
1414252-12	52 -66
1414252-12	53 -45
1414252-12	55 -44
1414252-2	52 -64
1414252-2	53 -43
1414252-2	55 -46
1414252-7	52 -65
1414252-7	53 -44
1414252-7	55 -45
1414263-7	53 -21
1414263-8	53 -22
1422051-1	3 -42
1422654-1	4 -42
1422654-1	4 -46
1422654-1	4 -51
1442113-2	35 - 6
1442113-8	35 -11
145-10	37 -30
1452225-44	69 -14
1452225-44	70 - 7
1452530-6	100B- 3
1452533-2	100B-12
1452533-4	100B- 9
1452537-1	100B-25
1460320-1	93 - 1
1460501-21	93 - 2
1460501-36	93 - 2
1462012-2	100 -45
1462012-2	100A-36
1462027-1	100 -17
1462027-1	100A-19
1470089-14	134 - 4
1470089-8	134 -11
1511205-11	45 -
1511205-12	45 -
1511205-13	45 -
1511205-14	45 -
1511206-11	45 -16
1511206-13	45 -17
1511206-14	45 -17
1511206-20	45 -12
1511206-4	45 -20
1511207-1	45 -18
1511208-12	45 -30
1511208-13	45 -30
1511208-16	45 -32
1511208-17	45 -33
1511209-1	45 -29
1511209-10	45 -21
1511209-11	45 -21
1511209-12	45 - 5
1511209-8	45 -11
1511212-1	45 -26
1511212-3	45 -26
1512280-11	100B- 2
1512280-24	100B- 8
1512280-25	100B-11
1512280-9	100 -31
1514223-1	57 -34
153-15	37 -14
153-8	34 - 9
154-13	37 -15
154-6	34 -10
155-2	34 -11
1552004-17	69 -10
1552004-17	70 -15
1552004-22	69 - 7



PART NUMBER	FIGURE AND INDEX NO.
1552004-22	70 -12
1552004-24	69 - 6
1552004-24	70 -11
1552004-25	69 -23
1552004-25	70 -20
1552010-1	69 - 9
1552010-1	69 -16
1552010-1	70 - 9
1552010-1	70 -14
1552531-4	100B- 5
1560001-10	95 -23
1560001-10	95 -26B
1560010-4	95 -26B
1560110-1	95 -26B
1560110-3	95 -26B
1560319-1	95 -24
1560319-1	95 -26B
1560321-10	98A-24
1560321-12	98A-17
1560321-2	98A-19
1560321-3	98A-20
1560321-4	98A-22
1560321-6	98A-25
1560321-9	98A-23
1560322-1	98A- 4
1560322-13	98A-13
1560322-15	98A-27
1560322-17	98A-33
1560322-18	98A-15
1560322-23	98A-37
1560322-24	98A-35
1560322-25	98A-
1560322-32	98A- 6
1560322-5	98A-30
1560322-8	98A- 8
1560325-2	95 -26B
1562033-1	100B- 4
1562033-4	100B- 6
1570043-1	58 -94
1570043-1	58A-86
1570043-1	58B-75
1570043-3	128 -51
1570142-2	95 -26B
1570150-1	95 -26B
1601-0410	8 -40
16028-404	116 - 4
16077-14	116 - 2
161-30	37 - 2
161-31	34 - 1
16119-410	116 -15
16119-416	116 -13
16119-422	116 -12
162-27	37 - 3
162-28	34 - 3
164-15A	37 - 8
16528	31 -31
17013039-1	96B-44
1713039-1	110 -28
1713039-1	110A-25
1713039-1	110A-30
1713080-3	129C- 6
1713082-1	129C-10
1713083-1	129C- 1
1713084-1	129C- 8
1713085-1	129C-20
1713259-1	3 - 6
1714035-1	52 -65
1714035-1	53 -44
1714035-1	55 -45
1714040-3	52 -63
1714040-3	53 -42
1714040-3	55 -43
1714040-4	52 -66
1714040-4	53 -45
1714040-4	55 -44

PART NUMBER	FIGURE AND INDEX NO.
1716008-1	5A-18
1724066-1	7 -26
1724066-2	7 -26
1724072-1	7 -25
1724072-2	7 -25
1724072-3	7 -36
1724072-4	7 -36
1726041-4	5 -26A
1726042-3	5 -26C
1726042-4	5 -26F
1726048-1	5 -29
1726049-1	5 -29
1777	30 - 9
180231	81 -31
1813/2CW1	60A- 8
1813/2CW1	60B- 9
1813/2LW1	60 - 8
181522	128 -12
1816	134 - 7
1816TR	134 - 8
182747	81 -34
183-1	37 -26
186320	81 -36
188141	81 -23
188302	81 -25
188434	81 -22
189482	81 -18
189574	81 -15
189739	81 -19
189744	81 - 3
191869	81 -26
1922005-1	6 -20B
192558	81 -38
192709	81 -29
193385	81 -14
196195	81 -11
2-11	127 -85
2-11	127A-92
2-15	127 -84
2-15	127A-91
2F1260	126B-14
2F1260	126B-14
2F1290	126B-17
2F1291	126B-18
2F1291	126B-18
2F1301	126B-19
2F1303	126B-20
20H3P	128 -52
200-1	121 - 8
200-2	121 - 8
20240-14	116 - 6
20240-15	116 - 7
20240-16	116 - 8
20240-17	116 - 9
20240-18	116 - 1
20240-21	116 -16
20240-22	116 -14
20240-25	116 -11
20240-53	116 -17
20240-73	116 - 3
20240-76	116 -18
20240-77	116 -18
20240-9	116 -10
20240-9	116 - 5
20246-3	116 - 5
20246-3	116 -16
20246-4	116 - 5
20246-5	116 - 5
20246-7	116 - 5
204864	81 - 8
206336	81 - 5
206337	81 -20
210031	81 - 9
210036	81 - 7
210039	81 -21

PART NUMBER	FIGURE AND INDEX NO.
210216	81 -33
210253	81 - 1
210257	81 -37
210261	81 -10
210326	81 -28
210382	81 -10
210393	81 -12
210394	81 -12
210396	81 - 6
210398	81 -30
210399	81 -17
2104	110 - 6
213200	81 -32
213214	81 - 2
213232	81 -27
214202	81 -13
217-1	34 - 4
218446	81 -35
218537	81 -24
218547	81 - 4
22FH632	94 - 4
22K-02	52 -10
22K2-02	52 -38
22K2-02	52 -67
22K2-02	53 -10
22K2-02	54 -47
22K2-02	55 - 9
22K2-02	57 -33
22NKM-02	52 -71
22NKM-02	53 -49
22NKM02	55 -55
2294-00	5 -29
23S2038-3-1	126A-33
23S2038-5-1	126A-49
23S2038-5-2	126A-50
25-240XP16	58 -39
25-240XP16	58A-29
26006	95 -26B
266-N50X375	126A-36
270N.50T0.375	126A-2
2900-1	58A-12
2900-1	588-14
2904-1	96B- 1
2904-1	96B-29
292501-1	113 -56
292502-1	113 -57
292503-1	113 -58
292504-1	113 -60
2935-0	14 - 8
2935-0	22 - 7
2935-05	42 - 4
2935-06	42 - 2
2935D	22 -10
294001-1	113 - 1
294002-3	114 -21
294003-1	113 - 2
294004-1	115 -19
294005-1	112 -18
294006-1	112 -22
294007-1	113 -46
294008-1	112 -20
294009-1	112 -23
294013-1	114 - 5
294014-1	114 - 6
294015-1	114 - 9
294016-1	114 - 8
294017-1	112 -21
294017-1	114 - 4
294018-1	113 -24
294018-1	113 -29
294018-1	115 -31
294019-1	113 -30
294020-1	113 -26
294024-1	112 -28
294025-1	115 -16

PART NUMBER	FIGURE AND INDEX NO.
294025-3	115 -15
294025-5	115 - 8
294026-1	112 -33
294027-1	112 -29
294028-1	114 -19
294029-1	114 -17
294029-1	113 -17
294030-1	114 -16
294031-1	113 -37
294032-1	113 -39
294033-1	113 -40
294034-1	113 -41
294035-1	113 -42
294036-1	113 -47
294037-1	113 -50
294038-1	113 -51
294039-1	113 -55
294040-1	113 -54
294041-1	113 -53
294042-1	113 -10
294044-1	113 - 5
294046-1	113 - 6
294050-1	115 -22
294051-1	113 -22
294051-1	115 -28
294053-1	115 -26
294054-1	112 -30
294055-1	115 -14
294056-1	115 - 7
294057-1	115 -11
294058-1	115 - 6
294059-1	115 - 4
294061-1	113 - 8
294061-1	113 -20
294062-1	113 -19
294063-1	112 -26
294065-1	113 -35
294066-1	113 -32
294067-1	112 -25
294068-1	112 -27
294069-1	112 -16
294070	133 - 1
294070-1	112 -16
294072-1	113 -36
294074-1	112 -14
294075-1	115 -21
294076-1	114 - 2
294077-1	115 - 2
294078-1	112 -35
294078-3	112 -35
294079-1	112 -31
294079-1	115 - 9
294079-1	115 -17
294081-1	113 - 3
294082-1	112 -15
294087-1	113 -13
294091-1	113 -15
294092-1	113 -16
294095-1	113 - 1
294401-041	121 - 1
294401-051	121 - 1
294402-103	121 - 2
294405-101	121 - 3
294406-101	121 - 4
294407-101	121 - 5
294408-101	121 - 6
294409-101	121 -24
294411-101	121 -16
294412-101	121 -12
294413-101	121 -21
294414-101	121 - 7
294702-1	118 -19
294708-1	118 -18
294709-1	118 -17
294710-1	118 - 1

PART NUMBER	FIGURE AND INDEX NO.
294712-1	118 -14
294713-1	118 -13
294714-1	118 - 5
294715-1	118 - 7
294715-1	124 - 6
294716-1	118 -10
294717-1	118 - 4
294901-101	124 -16
294902-101	124 - 1
294902-104	124 - 1
294903-101	124 - 8
294903-104	124 - 8
294904-101	124 -12
294905-101	124 -13
294906-101	124 - 3
294907-101	124 -21
294907-106	124 -21
294908-041	124 - 7
294909-101	124 - 2
301549-02A-3	126A-53
301726	126A-69
301772	58A-96
301772	58B-90
301772	126A-73
3E1219-6	126B- 2
3F1219-7	126B- 2
3E1271-2	126B- 8
3E1271-2	126B- 8
3F1531	126B-23
3E1540-1	126B- 3
30-0009-23	3 -30
3021	37 -11
3022	37 -10
3023	37 -12
30370-01C0	58 -29
30370-0100	58A-14
30370-01C0	58B-16
30370-0100	110 - 2
30370-0100	110A- 4
30475-0100	58 -30
30475-01C0	110 - 4
3142-00-5	79 -42
330	59 -14
330	59 -15
330	59A-13
330	59A-14
330	59B-15
330	59B-16
330	60 - 4
330	60 - 7
330	60 -12
330	60A- 4
330	60A- 7
330	60A-12
330	60B- 5
330	60B- 8
330	60B-12
330	60B-13
332152	126A-16
332154	126A-27
332154	126A-31
332154	126A-45
332280	126A-16
332280	126A-27
332280	126A-31
332280	126A-45
332281	126A-27
332281	126A-31
332281	126A-45
334	58 -67
334	58A-44
336	58A-94
336	60 - 8
336	60 - 9
336	60A- 8

PART NUMBER	FIGURE AND INDEX NO.
336	60A- 9
336	60B- 9
336-00	104A-17
336R	58 -39
336R	58A-29
3591-4CN0500	35 - 2
366-00	104 -10
37-206	37 -26
37570-0001	58A-13
37570-0001	58B-15
37570-0001	110A- 2
4E1214-3	126B-16
4E1214-3	126B-16
4E1387-4	126B-21
4E1645	126B- 5
4E1706	126B- 6
4E1708	126B- 6
40S5-3	69 -19
40S5-3	69 -35
40S5-3	70 -18
40S5-3	70 -35
40S5-5	69 -20
40S5-5	69 -36
40S5-5	70 -19
40S5-5	70 -36
4002-244-16	15 -35
4002-244-16	15 -36
4002-244-16	16 -16
4002-244-16	16A-21
4002-244-16	69 -32
4002-244-16	69 -40
4002-244-16	70 -32
4002-244-16	70 -48
4002G	69 -18
4002G	69 -34
4002G	70 -17
4002G	70 -34
4040	113 -25
41163C14	58 -67
41163C14	58A-44
4140-00-17	104A-21
4140-00-17	105 - 5
4199	5 -26E
4250	16 -77
4250	16A-80
4404-3.75M	79 -15
440437	58 -36
440437	58A-26
440437	58B-28
441344	58 -35
441344	58A-25
441344	58B-27
442786	58 -39
442786	58A-29
442786	58B-31
4600-2	5A-14
4600-2	5A-16
49166-21	126A- 4
49265	57 -44
5S5-6	23 -46
51045	54 -48
5169	3 -69
5169	10 -28
5169	12 -83
52LH2935-02	14 - 7
52LH2935-02	22 - 7
52LH2935-02	22 -10
52LH2935-054	42 - 4
5200018-1	2 -37
5200018-3	2 -37
531178	75 - 5
531178	76 - 5
531179	75 - 4
531179	76 - 4
534750	75 - 2

